



Undertone® Preserve®

Under-mount Kitchen Sink
K-5290-HCF

Features

- 36-inch minimum base cabinet width.
- Single bowl.
- 9-5/8-inch depth.
- No faucet holes.
- The innovative Preserve™ sink resists scratching and withstands the everyday wear and tear your sink endures, keeping it looking newer longer.
- SilentShield® sound-absorption technology offers quieter performance.
- Includes 1 sink rack.
- Includes installation hardware.

Material

- 18-gauge stainless steel.

Installation

- Under-mount

Recommended Accessories

- K-5474 Sink Rack
- K-6388 Sink Rack
- K-6377 Sponge Caddy
- K-6378 Kitchen Brush Caddy
- K-6379 Kitchen Squeegee
- K-6383 Soap Dispenser
- K-8619 Flexible Kitchen Mat
- K-8624 Dish Scraper

Components

Product includes:

- K-5474 Sink Rack

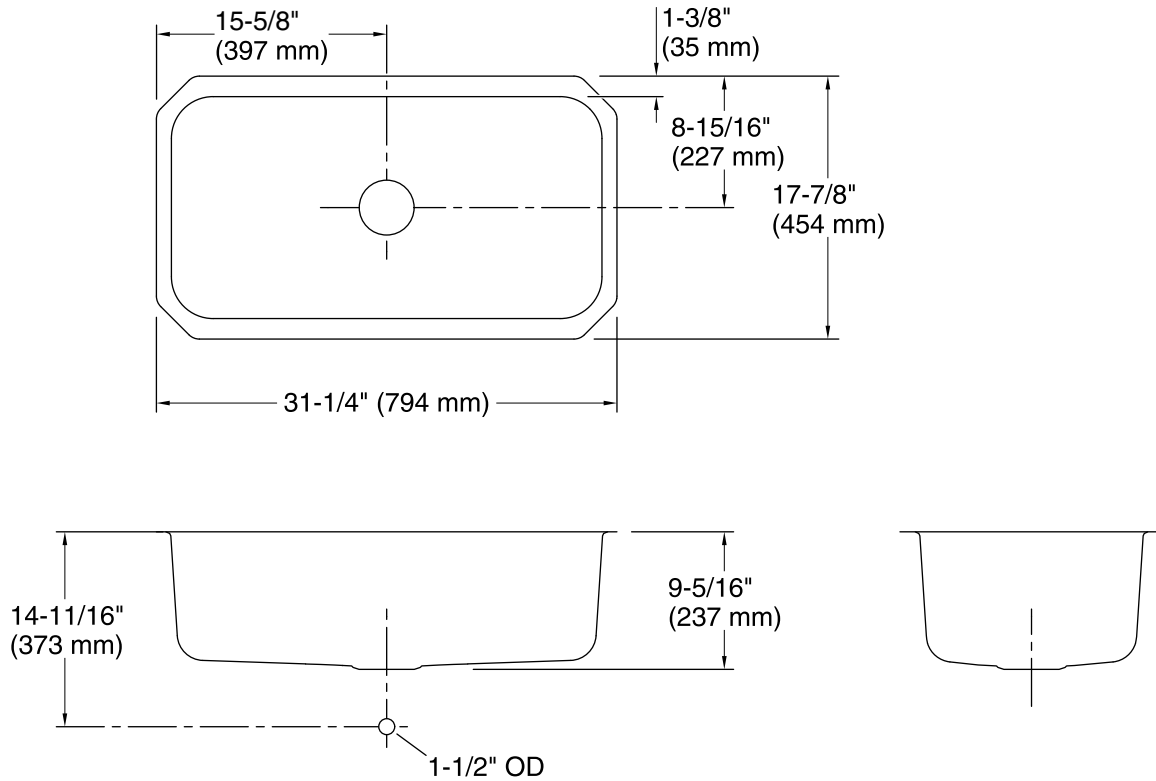


Codes/Standards

ASME A112.19.3/CSA B45.4

Lifetime Limited Warranty for KOHLER® Stainless Steel Sinks

See website for detailed warranty information.



Technical Information

All product dimensions are nominal.

Bowl configuration:	Single
Installation:	Under-mount
Bowl area (Only):	Length: 29-3/16" (742 mm) Width: 15-1/16" (383 mm) Bowl depth: 9" (229 mm) Water depth: 9" (229 mm)
Drain hole:	3-5/8" (92 mm)
Template:	1219562-7, required, included

Notes

Install this product according to the installation instructions.