

# Anti-Tip Restraint Assembly Instruction

Anti-Tip Restraint Assembly is REQUIRED in order to complete construction of this product.

When properly installed, this hardware can provide protection against the unexpected tipping of furniture.



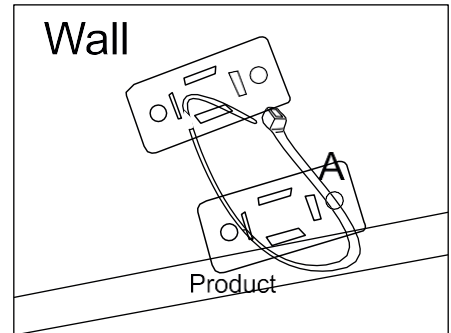
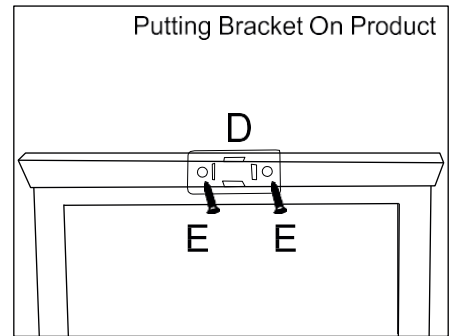
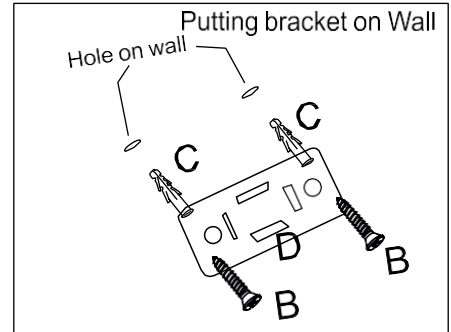
**Warning:**

With help, move cabinet into Position.

The Cabinet is Heavy. Lift with care.

Mark fixing holes on wall and remove Cabinet. Drill 6 mm holes and insert wall plug

Before drilling check wall for hidden pipes and cables. Reposition cabinet and fix wall strap using screw.



## Anti-Tip Restraint Part List

	Part Description	Part Image	Qty.
A	nylon strap		1 PC
B	long screw		2 PCS
C	plastic screw anchor		2 PCS
D	wall brackets		2 PCS
E	short screw		2 PCS

- Mark the location on the wall for mounting the second bracket "D". Create the appropriate sized hole in the wall and insert the plastic screw anchor "C". Secure the bracket to the wall using the long screws "B".

- Attach one of the mounting brackets "D" and secure to the back top center of the furniture using the screws "E".

- Place the furniture so the bracket on the back edge of unit is line with the bracket on the wall.

- Lace an end of the nylon restraint strap "A" down through each bracket. Bring both ends together and slide beaded end of the strap through the keyhole slot on the other end. Pull down on the beaded end until it snap-lock into the keyhole.

- Check to make sure the strap is securely laced and locked to the brackets.

