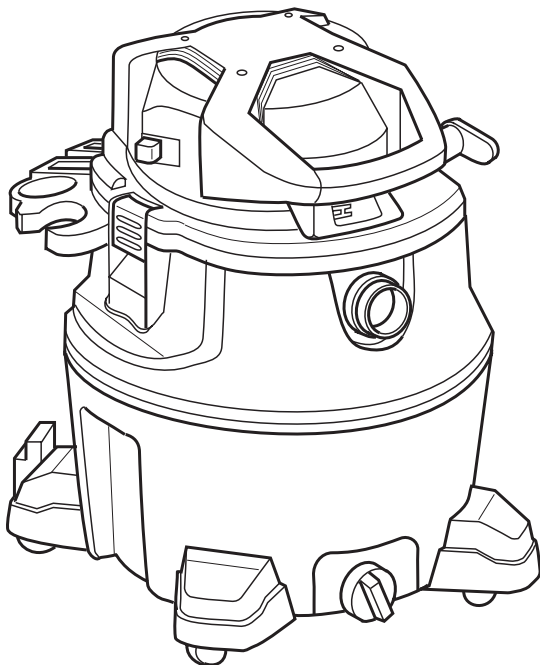


OWNER'S MANUAL

16 U.S. GALLON/ 60 LITER
PROFESSIONAL WET/DRY VAC

WD16800
WD1680EX0



FOR QUESTIONS OR INFORMATION CONTACT US AT
1-800-4-RIDGID (1-800-474-3443) from the US and Canada
01-800-701-9811 from Mexico
www.ridgidvac.com

⚠ WARNING:
To reduce the risk of injury, the user must read and understand the owner's manual before using this product.

Thank you for buying a RIDGID product.

• Español - página 21

SAVE THIS MANUAL FOR FUTURE REFERENCE

Table of Contents

Section	Page	Section	Page
Important Safety Instructions	2	Moving the Wet/Dry Vac	12
Introduction	4	Blowing Feature	12
Unpacking and Checking		Assemble the Detachable Blower	
Carton Contents	4	for "Blowing"	12
Filter Removal and Installation	5	Maintenance	14
Drum/Caster Foot Assembly	6	Detachable Blower Intake	14
Accessory Storage Holder	7	Filter	15
Accessory Storage	7	Cleaning and Disinfecting	
Wet/Dry Vac Assembly	8	the Wet/Dry Vac	16
Positioning Detachable Blower		Cord Maintenance	16
(Power Head Assembly)	9	Storage	16
Operation	10	Casters	16
Vacuuming Dry Materials	11	Repair Parts	18
Vacuuming Liquids	11	Servicing of Double-Insulated Wet/Dry Vac	19
Emptying the Drum	11	Warranty	20

IMPORTANT SAFETY INSTRUCTIONS

Safety is a combination of common sense, staying alert, and knowing how your Wet/Dry Vacuum cleaner ("Vac") works.

Safety Signal Words

▲ DANGER: Indicates a hazardous situation which, if not avoided, **will** result in death or serious injury.

▲ WARNING: Indicates a hazardous situation which, if not avoided, **could** result in death or serious injury.

▲ CAUTION: Indicates a hazardous situation which, if not avoided, **could** result in minor or moderate injury, or property damage.

When using your Vac, always follow basic safety precautions including the following:

▲ WARNING

- To reduce the risk of fire, electric shock, or injury:

- Read and understand this manual and all labels on the Vac before operating.
- Use only as described in this manual.
- Do not leave Vac running while unattended - you may fail to notice important signs indicating abnormal operation such as loss of suction, debris/liquid exiting exhaust, or abnormal motor noises. Immediately stop using Vac if you notice these signs.
- Do not leave Vac when plugged in. Unplug from outlet when not in use and before servicing.

- Sparks inside the motor can ignite flammable vapors or dust. To reduce the risk of fire or explosion, do not vacuum or use near combustible liquids, gases, or dusts, such as gasoline or other fuels, lighter fluid, cleaners, oil-based paints, natural gas, coal dust, magnesium dust, grain dust, aluminum dust, or gun powder.
- Do not vacuum anything that is burning or smoking, such as cigarettes, matches, or hot ashes.
- Do not vacuum drywall dust, cold fireplace ash, or other fine dusts with standard filter. These may pass through the filter and be exhausted back into the air. Use a fine dust filter instead.
- To reduce the risk of inhaling toxic vapors, do not vacuum or use near toxic or hazardous materials.
- To reduce the risk of electric shock, do not expose to rain or allow liquid to enter motor compartment. Store indoors.
- Do not allow to be used as a toy. Close attention is necessary when used by or near children.
- Do not use with a torn filter or without the filter installed except when vacuuming liquids as described in this manual. Dry debris ingested by the impeller may damage the motor or be exhausted back into the air.
- Turn off Vac before unplugging.
- To reduce the risk of injury from accidental starting, unplug power cord before changing or cleaning filter.
- Do not unplug by pulling on cord.

- Do not use with damaged cord, plug or other parts. If your Vac is not working as it should, has missing parts, has been dropped, damaged, left outdoors, or dropped into water, contact RIDGID Customer Service.
- Do not pull or carry by cord, use cord as handle, close a door on cord, or pull cord around sharp edges or corners. Do not run Vac over cord. Keep cord away from heated surfaces.
- Do not handle plug, switch, or the Vac with wet hands.
- Use only extension cords that are rated for outdoor use. Extension cords in poor condition or too small in wire size can pose fire and shock hazards. To reduce the risk of these hazards, be sure the cord is in good condition and that liquid does not contact the connection. Do not use an extension cord with conductors smaller than 16 gauge (AWG) in size. To reduce power loss, use a 14 gauge extension cord if 25 to 50 ft. long and 12 gauge for 50 ft. or longer.
- This Wet/Dry Vac is double-insulated, eliminating the need for a separate grounding system. Use only identical replacement parts. Read the instructions for Servicing Double-Insulated Wet/Dry Vacs before servicing.
- Do not put any object into ventilation openings. Do not vacuum with any ventilation openings blocked; keep free of dust, lint, hair or anything that may reduce air flow.
- Keep hair, loose clothing, fingers, and all parts of body away from openings and moving parts.
- To reduce the risk of falls, use extra care when cleaning on stairs.
- To reduce the risk of back injury or falls, do not lift a Vac that is heavy with liquid or debris. Partially empty the Vac by scooping debris or draining liquid to make it comfortable to lift.
- To reduce the risk of personal injury or damage to Vac, use only Ridgid recommended accessories.
- When using as a detached blower:
 - Direct air discharge only at work area.
 - Turn unit off before setting on ground or releasing grasp from handle.
 - Do not set down in liquid; electric shock could occur.
- Do not direct air at bystanders.
- Keep children away when blowing.
- Do not use blower for any job except blowing dirt and debris.
- Do not use as a sprayer.
- Wear safety eyewear.
- To reduce the risk of eye injury, wear safety eyewear. The operation of any utility Vac or blower can result in foreign objects being blown into the eyes, which can result in severe eye damage.

▲ CAUTION:

- To reduce the risk of hearing damage, wear ear protectors when using for extended time or in a noisy area.
- For dusty operations, wear dust mask.
- Static shocks are common when the relative humidity of the air is low. Vacuuming fine debris with your Vac can deposit static charge on the hose or Vac. To reduce the frequency of static shocks in your home or when using this Vac, add moisture to the air with a humidifier.

Observe the following warnings that appear on the motor housing of your Vac:



**DOUBLE INSULATED
GROUNDING NOT REQUIRED.
WHEN SERVICING USE ONLY
IDENTICAL REPLACEMENT PARTS.**

▲ WARNING:

- **For your own safety, read and understand owner's manual.**
- **Do not run unattended.**
- **Do not pick up hot ashes, coals, toxic, flammable or other hazardous materials.**
- **Do not use around explosive liquids or vapors.**

▲ WARNING: When using blower: Wear safety goggles labeled "ANSI Z87.1" on the package. Turn unit off before setting on ground or releasing grasp from handle. Electric shock could occur if used on wet surfaces. Direct tool discharge only at work area. Do not direct discharge at bystanders, Keep children away.

WARNING: To reduce the risk of electric shock - do not expose to rain - store indoors.

SAVE THIS MANUAL

Introduction

This Wet/Dry Vac with Detachable Blower is intended for household use. It may be used for vacuuming wet or dry media and may be used as a blower.

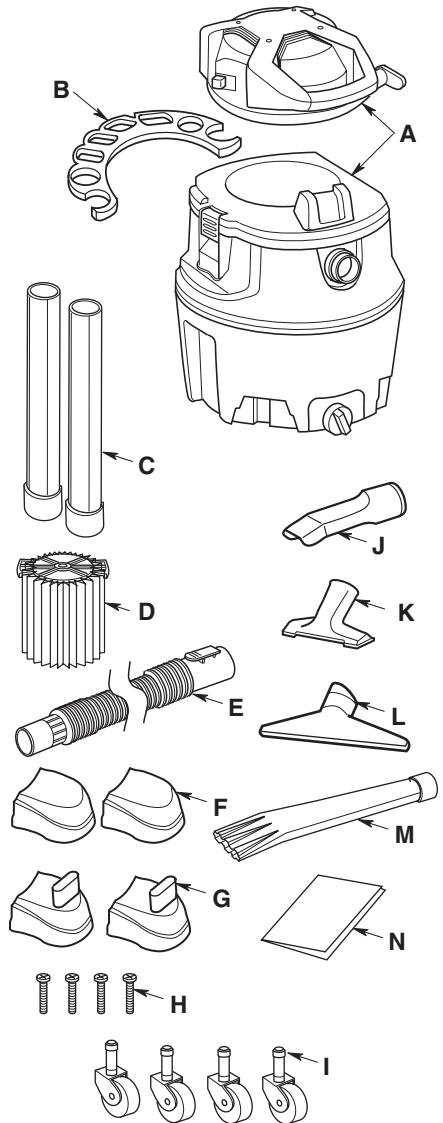
Read this owner's manual to familiarize yourself with the product features and to understand the specific usage of your new Vac.

Unpacking and Checking Carton Contents

Remove contents of carton. Check each item against the Carton Contents List. Call 1-800-4-RIDGID (1-800-474-3443) from the US & Canada, 01-800-701-9811 from Mexico, or E-mail us at info@ridgidvac.com if any parts are damaged or missing.

Carton Contents List

Key	Description	Qty
A	Wet/Dry Vac	1
B	Accessory Storage Holder	1
C	Extension Wands	2
D	Qwik Lock™ Filter	1
E	Hose	1
F	Caster Feet	2
G	Caster Feet with Storage	2
H	#10 x 1-3/4" screws	4
I	Caster Wheel	4
J	Car Nozzle	1
K	Utility Nozzle	1
L	Wet Nozzle	1
M	Blower Wand	1
N	Owner's Manual	1



Filter Removal and Installation

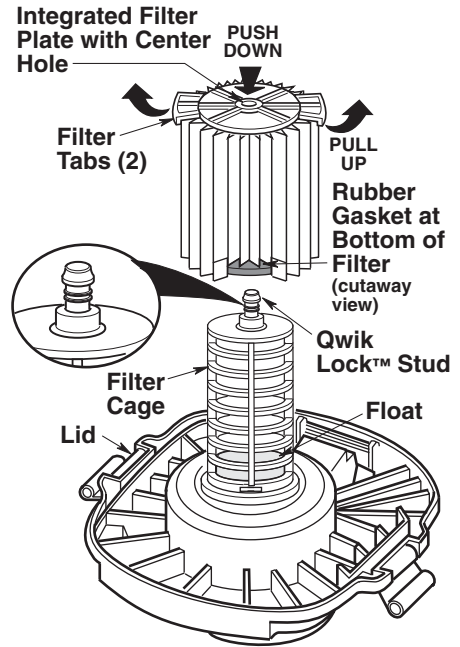
Removal and Installation of the Qwik Lock™ Filter

Filter Removal:

1. Hold the filter tabs of the Qwik Lock™ filter in each hand.
2. With one thumb on the Qwik Lock™ stud, which protrudes through the integrated filter plate, lift up on the filter tabs while pushing down on the stud.
3. This action will cause the filter to release from the filter cage. Slide filter off cage.

Filter Installation:

1. Carefully slide the Qwik Lock™ filter over the filter cage and press down on the outside edge of the filter until the rubber gasket on the bottom of the filter seats securely around the base of the filter cage and against the lid.
2. Align the small center hole in the top of the filter over the Qwik Lock™ stud on the filter cage. Press firmly on top of the filter near the stud to allow the filter to snap over the ball on the end of the stud. The filter is now attached.



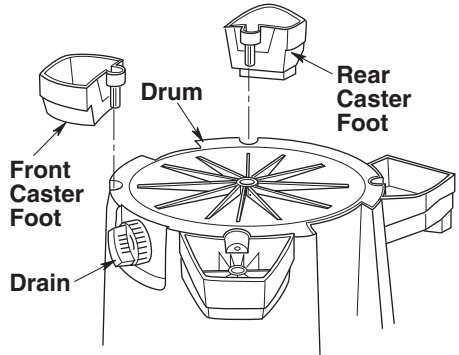
NOTE: Failure to properly seat the bottom gasket could result in debris bypassing the filter.

Drum/Caster Foot Assembly

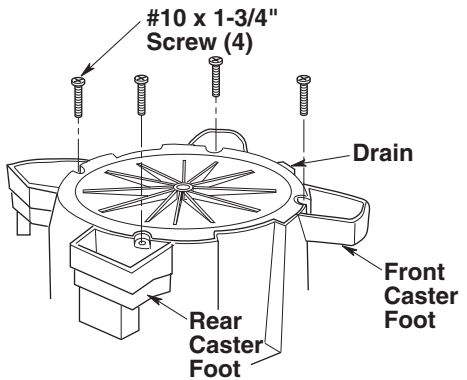
If any parts are missing or damaged contact Customer Service.

Do not assemble until you have all the parts.

1. Insert the front and rear caster feet into the bottom of drum as shown. Light taps with a mallet or hammer may be needed to fully seat both caster feet.

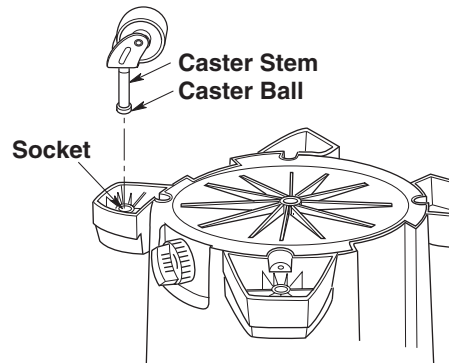


2. Install (4) #10 x 1-3/4" screws into matching holes on both front and rear caster feet, securing them to the bottom of the drum. Tighten screws until just snug. Do not over tighten as this may tend to deform the caster feet.



3. Insert the caster stem into each of the caster feet, as shown.

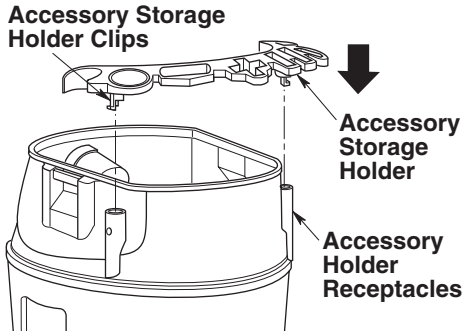
4. Push on the caster until the ball on the caster stem is inserted all the way into the socket. You will be able to hear the ball snap into the socket and the caster will swivel easily when positioning is correct.



Accessory Storage Holder

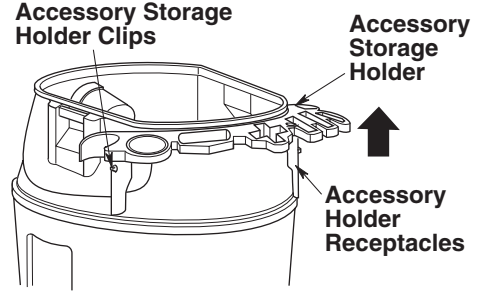
Installing Accessory Storage Holder

1. Position rods of accessory storage holder directly over accessory rod receptacles in dust drum.
2. Slide accessory storage holder into accessory rod receptacles until fully seated with holder clips locked.



Removing Accessory Storage Holder

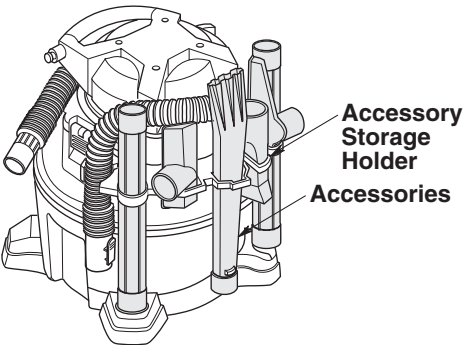
Push in both accessory storage holder clips and then pull straight up on rods of accessory storage holder.



Accessory Storage

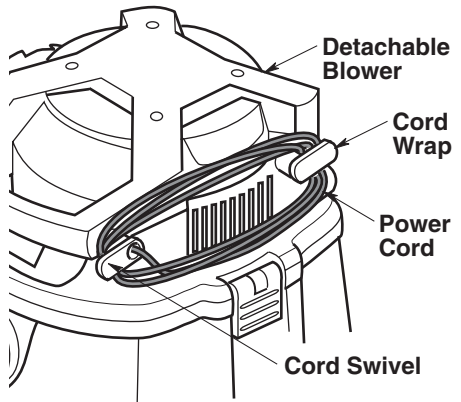
Your accessory storage holder has been designed to hold all the accessories included with your vac. The accessories and hose should be stored as shown.

NOTE: Insert female end of extension wand into the holder sleeve as shown.



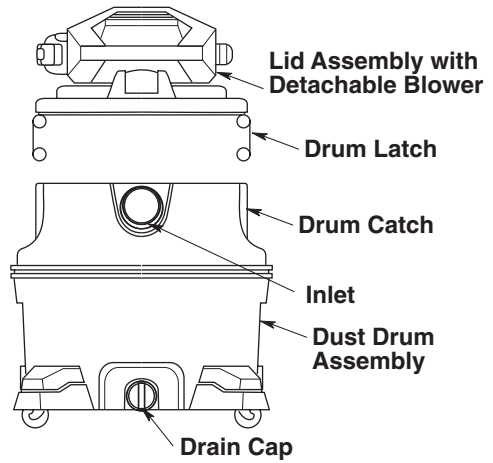
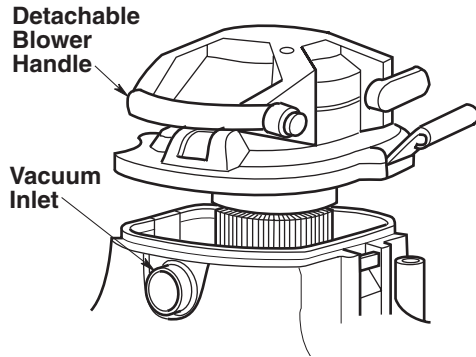
Cord Wrap

When vacuuming is complete, unplug the cord and wrap it around the detachable blower as shown.



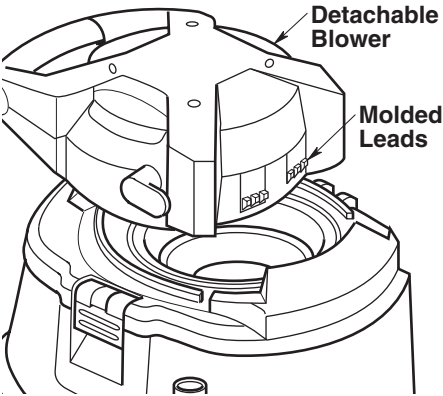
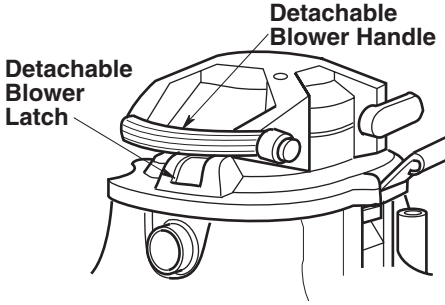
Wet/Dry Vac Assembly

1. Locate the lid assembly and the drum assembly (assembled earlier).
2. Position the lid assembly with the detachable blower handle of the unit located above the vacuum inlet on the dust drum.
3. To assemble the lid assembly to the drum assembly, lower the lid assembly onto the dust drum. Rotate both latches down until you hear them snap over the drum latch catches of the drum.



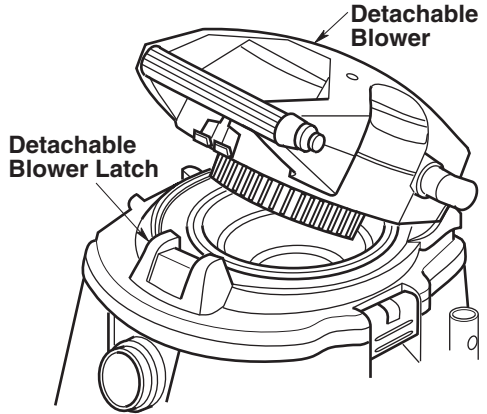
Positioning Detachable Blower (Power Head Assembly)

1. To remove the detachable blower from the lid assembly, press down on the detachable blower latch under the detachable blower handle and lift the blower off the lid of the Vac.

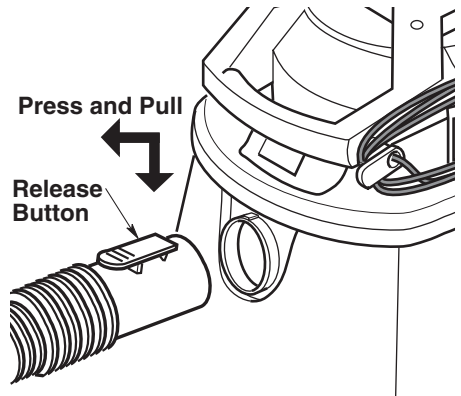


2. To replace the detachable blower onto the lid assembly, position detachable blower above the indented area of the lid assembly. Rotate the detachable blower down until the travel of the unit stops.

3. Lightly press down on the carry handle of the detachable blower until you hear the "snap" of the detachable blower latch engaging the detachable blower. The detachable blower is now latched to the lid assembly.



4. Your new Wet/Dry Vac is ready for use. With the Wet/Dry Vac completely assembled and ready for use, insert the push button end of the "Tug-a-Long" hose into the inlet of the Vac. The hose should snap into place. To remove the hose from the Vac, press the release button in the hose assembly and pull the hose out of the Vac inlet, as shown.



Operation

▲ WARNING: To reduce the risk of fire, explosion, or damage to Vac:

- Do not leave Vac running while unattended - you may fail to notice important signs indicating abnormal operation such as loss of suction, debris/liquid exiting exhaust, or abnormal motor noises. Immediately stop using Vac if you notice these signs.
- Do not leave Vac plugged-in when not in use.
- Do not continue running when float has cut off suction.
- Do not operate Vac in areas with flammable gases, vapors or explosive dust in the air. Sparks inside the motor can ignite airborne flammables. Flammable gases and vapors include: lighter fluid, solvent-type cleaners, oil-based paints, gasoline, alcohol, or aerosol sprays. Flammable dusts include: coal, magnesium, aluminum, grain, or gun powder.
- Do not vacuum up explosive dusts, flammable liquids, or hot ashes.
- Do not use Vac as a sprayer.

▲ WARNING: To reduce the risk of electric shock or injury:

- Do not expose to rain or allow liquid to enter motor compartment. Store indoors.
- Do not handle plug, switch, or Vac with wet hands.
- Do not service Vac while it is plugged-in. If your Vac is not working as it should, has missing parts, has been dropped, damaged, left outdoors, or dropped into water, return it to an independent service center or call customer service.
- When using an extension cord, use only outdoor-rated cords that are in good condition. Do not allow the connection to come into contact with liquid.
- Do not vacuum toxic materials to reduce the risk of inhaling the vapors or dust.

To reduce the risk of electric shock, this Vac has a polarized plug (one blade is wider than the other). Except for 230 volt models, this plug will fit in a polarized outlet only one way. If the plug does not fit fully in the outlet, reverse the plug. If it still does not fit, contact a qualified electrician to install the proper outlet. Do not change the plug in any way.

After you plug the power cord into the outlet, turn the unit on by sliding the switch from position "O" to position "I":



Familiarize yourself with the accessories included with the Vac. Each accessory may be used in various ways for vacuuming and blowing debris. Here is a list of the accessories and their uses.

Extension Wands - These wands can be connected together and provides additional length for more reach.

Utility Nozzle - General purpose nozzle for most vacuuming applications.

Car Nozzle - Dry pickup nozzle for car interiors and most upholstery cleaning.

Wet Nozzle - Used for wet pickup on smooth surfaces to pick up liquid and dry the surface in one stroke.

Blower Wand - Attaches directly to the power assembly concentrates the air for blowing applications.

Hose - Provides transfer of vacuum or blowing capability to work site. Provides the means of attaching extension wands and nozzles.

Accessory Storage Holder - Store all the accessories with your Vac.

Caster Feet - Store accessories with your Vac.

Operation (continued)

Vacuating Dry Materials

1. The filter must always be in correct position at all times to avoid leaks and possible damage to Vac.
2. When using your Vac to pick up very fine dust, it will be necessary for you to empty the drum and clean the filter at more frequent intervals to maintain peak Vac performance.

NOTE: A dry filter is necessary to pick up dry material. If you use your Vac to pick up material when the filter is wet, the filter will clog quickly and be very difficult to clean.

Vacuating Liquids

1. When picking up small amounts of liquid the filter may be left in place.
2. When picking up large amounts of liquid we recommend that the filter be removed. If the filter is not removed, it will become saturated and misting may appear in the exhaust.

▲ WARNING: Do not operate without filter cage and float, as they prevent liquid from entering the impeller and damaging the motor.

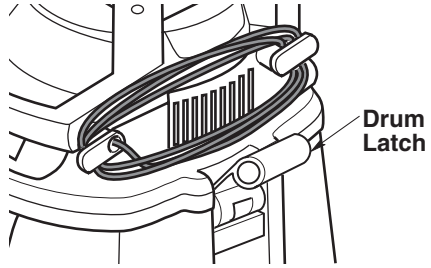
3. When the liquid in the drum reaches a predetermined level, the float mechanism will rise automatically to cut off air-flow. You will know that the float has risen because Vac airflow ceases and the motor noise will become higher in pitch, due to increased motor speed. When this happens, turn off the Vac, unplug the power cord, and empty the drum.
4. After using the Vac to pick up liquids, the filter must be dried to avoid possible mildew and damage to the filter.

IMPORTANT: To reduce the risk of damage to the Vac, do not run motor with float in raised position.

Emptying the Drum

▲ WARNING: To reduce the risk of injury from accidental starting, unplug power cord before emptying the drum.

1. To remove the lid to empty contents of the dust drum simply lift the two drum latches on the sides of the dust drum and lift the lid assembly up and off the dust drum and set to the side.
2. Lay the lid assembly upside down on a clean area while emptying drum or changing the filter.
3. Dump the drum contents into the proper waste disposal container.



4. If the contents are liquid, you may dispose by using the drain provided in the drum for easy emptying. Simply unscrew the drain cap and allow the liquid to drain completely out of the Vac drum.

▲ WARNING: To reduce the risk of back injury or falls, do not lift a Vac heavy with liquid or debris. Scoop or drain enough contents out to make the Vac light enough to lift comfortably.

Operation (continued)

Moving the Wet/Dry Vac

Should it become necessary to pick the Vac up to move it, the handles on the sides of the dust drum are used to lift. To maneuver the Vac, the handle above the inlet can be used.

Blowing Feature

Your Wet/Dry Vac has a “detachable blower.” It has the capability to be used as a dedicated blower for yard work, patio cleanup, and garage applications to blow dust and other debris.

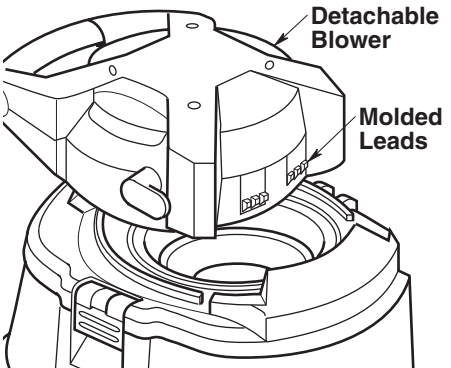
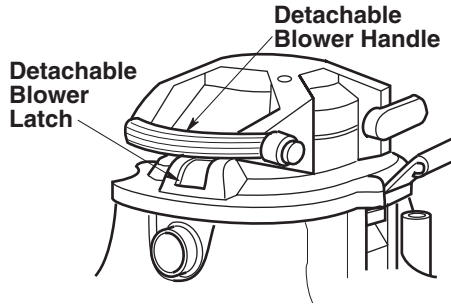
⚠ WARNING: Always wear safety eyewear complying with ANSI Z87.1 (or in Canada, CSA Z94.3) before using as a blower.

⚠ WARNING: To reduce the risk of injury to bystanders, keep them clear of blowing debris.

⚠ CAUTION: Wear a dust mask if blowing creates dust which might be inhaled.

⚠ CAUTION: To reduce the risk of hearing damage, wear ear protectors when using the Vac/Blower for extended time or in a noisy area.

1. Familiarize yourself with the detachable blower portion of your Wet/Dry Vac.
2. Remove the detachable blower of your Vac by pressing down on the detachable blower latch under the handle of the detachable blower and lift by the handle to remove.

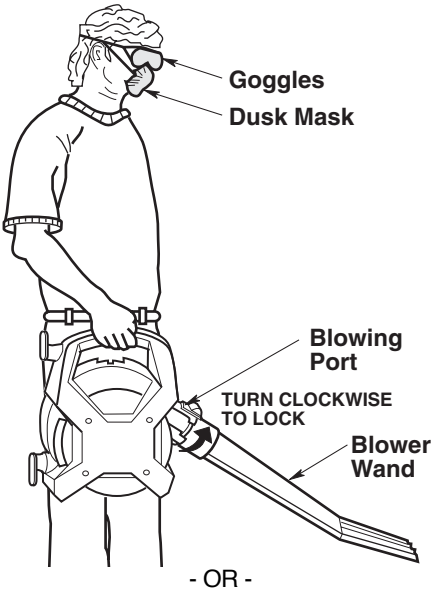


Operation (continued)

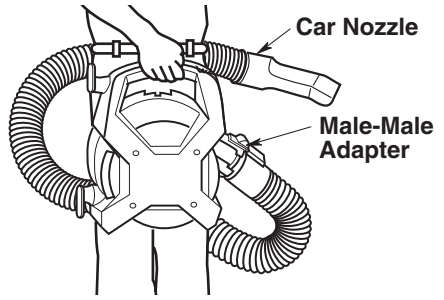
Using the Detachable Blower for "Blowing"

Two suggested methods of using the blower are:

1. Insert the round end of the blower wand into the blowing port of the detachable blower and turn clockwise to lock.



2. The Wet/Dry Vac may also be used for blowing using the seven-foot hose supplied with the Wet/Dry Vac. Install the push button end of the Vac hose in the blowing port of the detachable blower. For added control, an extension wand and/or car nozzle can be added to the opposite end of the hose. The unit is ready for blowing applications.



3. Turn the blower "ON" by sliding the switch in the handle of the blower to the "I" position.

Maintenance

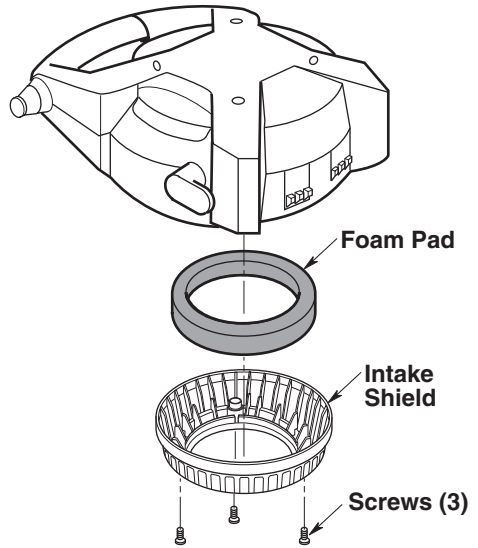
Detachable Blower Intake

▲ WARNING: To reduce the risk of injury from accidental starting, unplug power cord before changing or cleaning filter or foam pad.

After using the detachable blower of your Wet/Dry Vac, examine the bottom of the blower for dust and debris. Check to see if the intake to the blower has debris stuck to the plastic vents and foam pad.

To clean the foam pad under the intake shield of the detachable blower:

1. Remove the three screws holding the intake shield.
 2. Lift the intake shield off and set aside.
 3. Lift the foam pad away from the detachable blower.
 4. Remove the foam pad and clean in warm soapy water or brush debris away. Allow foam pad to dry.
 5. Examine foam pad for reuse. If you need to replace it, check the service part section of this manual.
 6. Replace foam pad by reversing steps 1 thru 4.
 7. Reinstall intake shield and 3 screws.
- The unit is ready for use.



Maintenance (continued)

Filter

NOTE: The filter is made of high quality paper designed to stop very small particles of dust. The filter can be used for dry debris or small amounts of liquid. Handle the filter carefully when removing or installing. Creases in the filter pleats may occur from installation but will not affect the performance of the filter.

Filter Cleaning

Your filter should be cleaned often to maintain peak Vac performance.

Be sure to dry the filter before storing or picking up dry debris.

IMPORTANT: After cleaning, check the filter for tears or small holes. Do not use a filter with holes or tears in it. Even a small hole may allow a lot of dust to come out of the exhaust port of your Vac. Replace it immediately.

Filter Removal

Refer to page 5 "Filter Removal and Installation" Section of this manual.

IMPORTANT: To avoid damage to the blower wheel and motor, always reinstall the filter before using the Vac for dry material pickup.

Cleaning A Dry Filter

1. Light cleaning of some dry debris can be accomplished without removing the filter from the Vac. Simply slap your hand on top of the lid while the Vac is turned off.
2. Clean the filter in an open area. Cleaning **SHOULD** be done outdoors and not in the living quarters.
3. Remove filter from Vac. Gently tap filter against the inside wall of your dust drum. The debris will loosen and fall.
4. For thorough cleaning of dry filter with fine dust (no debris), run water through it as described under "Cleaning A Wet Filter".

Cleaning A Wet Filter

Remove filter from Vac and run water over it to remove the dirt. Take care that water pressure does not damage the filter material.

Installation

Refer to page 5 "Filter Removal and Installation" Section of this manual.

Allow the filter to dry before reinstalling and storing the Vac.

Maintenance (continued)

Cleaning and Disinfecting the Wet/Dry Vac

To keep your Wet/Dry Vac looking its best, clean the outside with a cloth dampened with warm water and mild soap.

To clean the drum:

1. Dump debris out.
2. Wash drum thoroughly with warm water and mild soap.
3. Wipe out with dry cloth.

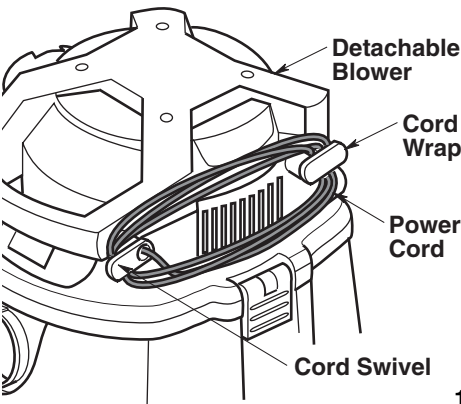
Before prolonged storage, or as needed, (i.e.; waste water pick up) the drum should be disinfected.

To disinfect the drum:

1. Pour 1 gallon of water and 1 teaspoon chlorine bleach into the drum.
2. Let solution stand for 20 minutes, carefully swishing every few minutes, making sure to wet all inside surfaces of the drum.
3. Empty drum after 20 minutes. Rinse with water until bleach smell is gone. Allow drum to dry completely before sealing the motor on the drum.

Cord Maintenance

When vacuuming is complete, unplug the cord and wrap it around the hooks on the side of the detachable blower. If the power cord is damaged, it must be replaced by the manufacturer or their service agent or by similarly qualified personnel to reduce the risk of accident.



Storage

Before storing your Vac, the drum should be emptied and cleaned. The cord and hose should be stored as described in this manual. Accessories should be kept in the same area as the Vac so they can be readily available. The Vac should be stored indoors.

Casters

If your casters are noisy, you may put a drop of oil on the roller shaft to make them quieter.

⚠ WARNING: To assure product SAFETY and RELIABILITY, repairs and adjustments should be performed by Authorized Service Centers, always using RIDGID replacement parts.

Repair Parts

16 Gallon Professional Wet/Dry Vac Model Number WD16800/WD1680EX0

RIDGID parts are available on-line at www.ridgidparts.com

Always order by Part Number - Not by Key Number

Key No.	Part No.	Description
1	823200A	Float
2	823201-3	Filter Cage
3	VF4000	† Qwik Lock™ Filter
4	833170	Drum Assembly
5	73185	Drain Cap
6	830715	Caster Foot, Front
7	830716	Caster Foot, Rear
8	73102	Caster Wheel
9	833132	Accessory Storage Holder
10	826387	Drum Latch
11	510128	Lid (Includes Key No. 10 & 18)
12	510118	Blower Assembly (WD1680 Only)
13	510119	Blower Assembly (WD1680EX Only)
14	818961	Spacer
15	818413	Blower Wheel
16	315534-1	Washer
17	826817	Nut
18	826388	Latch Detachable Blower
19	VT2509	† Utility Nozzle
20	VT2503	† Car Nozzle
21	833169	Blower Wand
22	VT2510	† Wet Nozzle
23	822256	Squeegee
24	VT2508	† Extension Wand
25	833177	Cord Swivel
26	826356-5	Hose Locking 2-1/2" x 7'
27	SP6779	Owner's Manual

† These replacement parts may be available where you purchased your Vac.

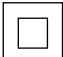
Repair Parts (continued)

16 Gallon Professional Wet/Dry Vac Model Number WD16800/WD1680EX0

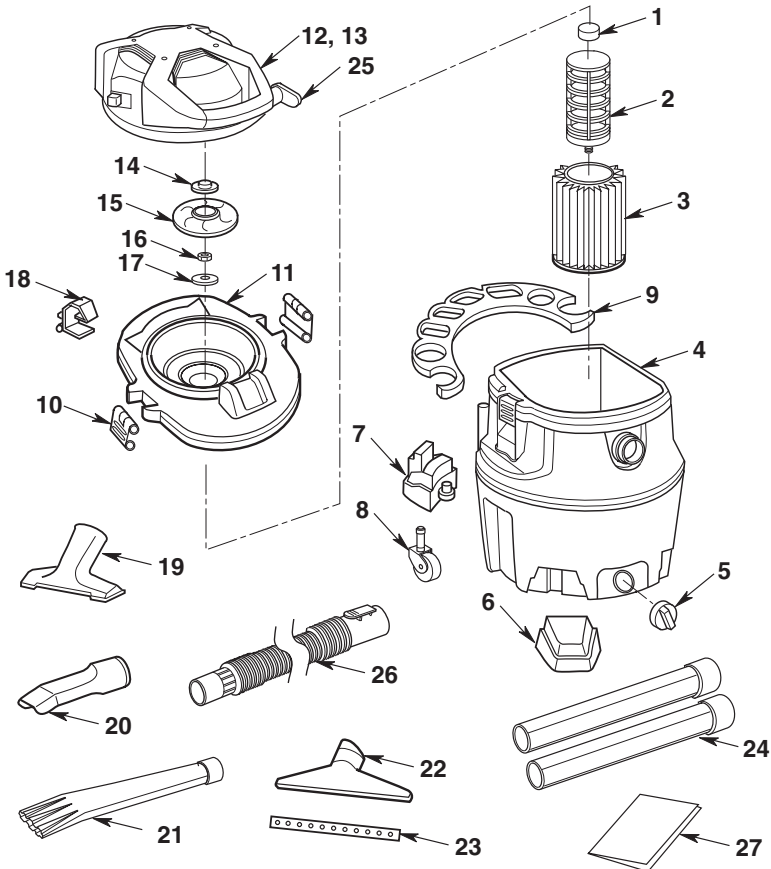
RIDGID parts are available on-line at www.ridgidparts.com

▲ WARNING

SERVICING OF DOUBLE-INSULATED WET/DRY VAC

In a double-insulated Wet/Dry Vac, two systems of insulation are provided instead of grounding. No grounding means is provided on a double-insulated appliance, nor should a means for grounding be added. Servicing a double-insulated Wet/Dry Vac requires extreme care and knowledge of the system, and should be done only by qualified service personnel. Replacement parts for a double-insulated Wet/Dry Vac must be identical to the parts they replace. Your double-insulated Wet/Dry Vac is marked with the words "DOUBLE INSULATED" and the symbol  (square within a square) may also be marked on the appliance.

To reduce the risk of injury from electrical shock, unplug power cord before servicing the electrical parts of the Wet/Dry Vac.





- **What is covered**

RIDGID® Wet/Dry Vac's are warranted to be free of defects in workmanship and material.

- **How long coverage lasts**

This warranty lasts for the lifetime of the RIDGID® Wet/Dry Vac.

- **How to obtain service**

To obtain the benefit of this warranty, deliver via prepaid transportation the complete product to RIDGE TOOL COMPANY, Elyria, Ohio, or any authorized RIDGID® INDEPENDENT SERVICE CENTER. Pipe wrenches and other hand tools should be returned to the place of purchase.

- **What we will do to correct problems**

Warranted Wet/Dry Vac's will be repaired or replaced, at Ridge Tool Company's option, and returned at no charge; or, if after three attempts to repair or replace during the warranty period the Wet/Dry Vac is still defective, you can elect to receive a full refund of your purchase price.

- **What is not covered**

Failures due to misuse, abuse or normal wear and tear are not covered by this warranty. **RIDGE TOOL COMPANY SHALL NOT BE RESPONSIBLE FOR ANY INCIDENTAL OR CONSEQUENTIAL DAMAGES.**

- **How local laws relate to the warranty**

Some states do not allow the exclusion or limitation of incidental or consequential damages, so the above limitation or exclusion may not apply to you. This warranty gives you specific rights, and you may also have other rights which vary from state to state, province to province, or country to country.

- **No other express warranty applies**

This FULL LIFETIME WARRANTY is the sole and exclusive warranty for RIDGID® Wet/Dry Vac's. No employee, agent, dealer, or other person is authorized to alter this warranty or make any other warranty on behalf of Ridge Tool Company.

Stock No. WD1680/WD1680EX
Model No. WD16800/WD1680EX0
Serial Number _____

Model and serial numbers may be found on the back of power head assembly. You should record both model and serial numbers in a safe place for future use.

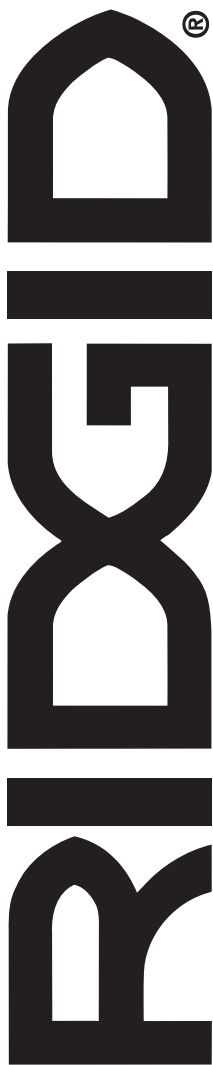
FOR QUESTIONS OR INFORMATION CONTACT US AT
1-800-4-RIDGID (1-800-474-3443) from the US and Canada
01-800-701-9811 from Mexico
www.ridgidvac.com

Please have your Model Number and Serial Number on hand when calling.



EMERSON
Professional Tools

Emerson Tool Company
A Division Of
Emerson Electric Co.

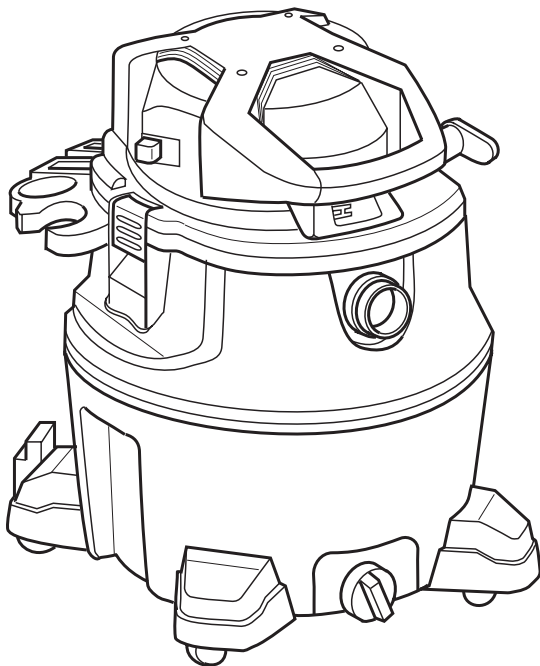


MANUAL DEL USUARIO

ASPIRADORA PARA MOJADO/SECO PROFESIONAL DE 16 GALONES/60 LITROS

WD16800

WD1680EX0



¿PREGUNTAS O COMENTARIOS? COMUNÍQUESE CON NOSOTROS EN
1-800-4-RIDGID (1-800-474-3443) desde los EE.UU. y Canadá
01-800-701-9811 desde México
www.ridgidvacs.com

⚠ ADVERTENCIA: Para reducir el riesgo de lesiones, el usuario debe leer y entender el manual del usuario antes de utilizar este producto.

Gracias por comprar un producto RIDGID.

GUARDE ESTE MANUAL PARA REFERENCIA FUTURA

Índice

Sección	Página
Instrucciones de seguridad importantes	22
Introducción	24
Desempaqueado y comprobación del contenido de la caja de cartón	24
Remoción e instalación del filtro	25
Ensamblaje del tambor y los pies de ruedecilla	26
Soporte de almacenamiento de accesorios	27
Almacenamiento de accesorios	27
Ensamblaje de la aspiradora para mojado/seco	28
Posicionamiento del soplador desmontable (ensamblaje del cabezal del motor)	29
Funcionamiento	30
Recogida de materiales secos con la aspiradora	31
Recogida de líquidos con la aspiradora	31
Vaciado del tambor	31

Sección	Página
Traslado de la aspiradora para mojado/seco	32
Dispositivo de soplado	32
Ensamblaje del soplador desmontable para "soplar"	33
Mantenimiento	34
Entrada del soplador desmontable	34
Filtro	35
Limpieza y desinfección de la aspiradora para mojado/seco	36
Mantenimiento del cordón	36
Almacenamiento	36
Ruedecillas	36
Piezas de repuesto	38
Servicio de ajustes y reparaciones de la aspiradora para mojado/seco con aislamiento doble	39
Garantía	40

INSTRUCCIONES DE SEGURIDAD IMPORTANTES

La seguridad es una combinación de sentido común, permanecer alerta y saber cómo funciona la aspiradora para mojado/seco ("la aspiradora").

Palabras de señal de seguridad

⚠ PELIGRO: indica una situación peligrosa que, si no se evita, **causará** la muerte o lesiones graves.

⚠ ADVERTENCIA: indica una situación peligrosa que, si no se evita, **podría causar** la muerte o lesiones graves.

⚠ PRECAUCIÓN: indica una situación peligrosa que, si no se evita, **podría causar** lesiones leves o moderadas

Cuando utilice la aspiradora, siga siempre las precauciones básicas de seguridad, incluyendo las siguientes:

⚠ ADVERTENCIA

– Para reducir el riesgo de incendio, sacudidas eléctricas o lesiones:

- Lea y entienda este manual del usuario y todas las etiquetas que están colocadas en la aspiradora para mojado/seco antes de utilizarla.
- Utilice la aspiradora únicamente de la manera que se describe en este manual.
- No deje la aspiradora en marcha mientras esté desatendida. Usted podría no notar señales importantes que indiquen un funcionamiento anormal, tal como pérdida de succión, residuos o líquido que salen por el escape o ruidos anormales del motor. Deje de usar la aspiradora inmediatamente si observa estas señales.
- No abandone la aspiradora cuando esté enchufada. Desenchúfela del tomacorriente cuando no la esté utilizando y antes de realizar servicio de revisión.
- Las chispas que se producen en el interior del motor pueden incendiar los vapores inflamables o el polvo. Para reducir el riesgo de incendio o explosión: No use la aspiradora cerca de líquidos, gases, o polvos combustibles como gasolina u

otros combustibles, líquido encendedor, limpiadores, pinturas a base de aceite, gas natural, hidrógeno, polvo de carbón, polvo de magnesio, polvo de aluminio, polvo de granos de cereal o pólvora.

- No recoja con la aspiradora nada que esté ardiendo o humeando, como cigarrillos, fósforos o cenizas calientes.
- No recoja con la aspiradora polvo de panel de yeso ni hollín frío o ceniza fría de chimenea con un filtro estándar. Estos materiales pueden pasar por el filtro y ser expulsados de vuelta al aire. Utilice un filtro para polvo fino en lugar de un filtro estándar.
- Para reducir el riesgo de inhalar vapores tóxicos, no recoja con la aspiradora materiales tóxicos o peligrosos ni la use cerca de dichos materiales.
- Para reducir el riesgo de descargas eléctricas, no exponga la aspiradora a la lluvia ni deje que entren líquidos en el compartimiento del motor. Guarde la aspiradora en un lugar interior.
- No permita que la aspiradora se utilice como un juguete. Se necesita prestar máxima atención cuando sea utilizada por niños o cerca de éstos.
- No use la aspiradora con un filtro desgarrado o sin tener el filtro instalado, excepto cuando recoja con ella líquidos de la manera que se describe en este manual. Los residuos secos absorbidos por el impulsor podrían dañar el motor o ser expulsados de vuelta al aire.
- Apague la aspiradora antes de desenchufarla.
- Para reducir el riesgo de lesiones debidas a un arranque accidental, desenchufe el cordón de energía antes de cambiar o limpiar el filtro.
- No desenchufe la aspiradora tirando del cordón. Para desenchufarla, agarre el enchufe y no el cordón.
- No use la aspiradora con el cordón dañado, el enchufe dañado u otras piezas dañadas. Si la aspiradora no funciona como debe, le faltan piezas, se ha caído, ha sido dañada, se ha dejado a la intemperie o se ha caído al agua, llame a servicio al cliente RIDGID.

- No tire de la aspiradora usando el cordón ni la lleve por el cordón, ni use el cordón como asa, ni cierre una puerta sobre el cordón, ni tire del cordón alrededor de bordes o esquinas afilados. No pase la aspiradora en marcha sobre el cordón. Mantenga el cordón alejado de las superficies calientes.
- No maneje el enchufe, el interruptor o la aspiradora con las manos mojadas.
- Utilice únicamente cordones de extensión que tengan capacidad nominal para uso a la intemperie. Los cordones de extensión que estén en malas condiciones o tengan un tamaño de alambre demasiado pequeño pueden crear peligros de incendio y descargas eléctricas. Para reducir el riesgo de estos peligros, asegúrese de que el cordón esté en buenas condiciones y que el líquido no entre en contacto con la conexión. No utilice un cordón de extensión que tenga conductores con un diámetro menor al calibre 16 (AWG). Para reducir la pérdida de potencia, utilice un cordón de extensión de calibre 14 si la longitud es de 25 a 50 pies, y de calibre 12 si la longitud es de 50 pies o más.
- Esta aspiradora para mojado/seco tiene aislamiento doble, lo cual elimina la necesidad de un sistema independiente de conexión a tierra. Utilice únicamente piezas de repuesto idénticas. Lea las instrucciones de servicio de revisión de las aspiradoras para mojado/seco con aislamiento doble.
- No ponga ningún objeto en las aberturas de ventilación. No recoja nada con la aspiradora cuando cualquiera de las aberturas de ventilación esté bloqueada; mantenga dichas aberturas libres de polvo, pelusa, pelo o cualquier cosa que pueda reducir el flujo de aire.
- Mantenga el pelo, la ropa holgada, los dedos y todas las partes del cuerpo alejados de las aberturas y de las piezas móviles.
- Para reducir el riesgo de caídas, tenga cuidado adicional al limpiar en escaleras.
- Para reducir el riesgo de lesiones de espalda o caídas, no levante una aspiradora que pese mucho debido a que contiene líquido o residuos. Vacíe parcialmente la aspiradora sacando los residuos o drenando el líquido para hacer que sea cómodo levantarla.
- Para reducir el riesgo de lesiones corporales o daños a la aspiradora, utilice únicamente accesorios recomendados por Ridgid.
- Cuando utilice la aspiradora como soplador desmontable:
 - Dirija la descarga de aire solamente hacia el área de trabajo.
 - Apague la unidad antes de ponerla en el piso o de soltar el agarre del asa.
 - No deposite la unidad en líquido; el resultado podría ser descargas eléctricas.
 - No dirija el aire hacia las personas que estén presentes.
 - Mantenga alejados a los niños durante la operación de soplado.
- No utilice el soplador para trabajos que no sean soplar suciedad y residuos.
- No use la aspiradora como rociador.
- Use protección ocular de seguridad.
- Para reducir el riesgo de lesiones en los ojos, use protección ocular de seguridad. La utilización de cualquier aspiradora utilitaria o soplador utilitario puede hacer que se soplen objetos extraños hacia los ojos, lo cual puede causar daños graves en los ojos.

⚠ PRECAUCIÓN:

- Para reducir el riesgo de daños a la audición, use protectores de oídos cuando utilice la aspiradora durante muchas horas seguidas o cuando la emplee en un área ruidosa.
- Para operaciones que generan polvo, use una máscara antipolvo.
- Las descargas de estática son comunes cuando la humedad relativa del aire es baja. Si recoge residuos finos con la aspiradora, se puede depositar carga estática en la manguera o en la aspiradora. El mejor remedio para reducir la frecuencia de las descargas de estática en su casa o cuando use esta aspiradora es añadir humedad al aire con un humidificador.

Siga las siguientes advertencias que aparecen en la caja del motor de la aspiradora.



AISLAMIENTO DOBLE. NO SE REQUIERE CONEXION A TIERRA.

CUANDO HAGA SERVICIO DE REVISIÓN DE LA ASPIRADORA, UTILICE ÚNICAMENTE PIEZAS DE REPUESTO IDÉNTICAS.

⚠ ADVERTENCIA:

- **Para su propia seguridad, lea y entienda el manual del operador.**
- **No tenga en marcha la aspiradora desatendida.**
- **No recoja cenizas calientes, carbón caliente, materiales tóxicos ni inflamables ni otros materiales peligrosos.**
- **No use la aspiradora alrededor de líquidos o vapores explosivos.**

⚠ ADVERTENCIA: Cuando utilice el soplador: Use anteojos de seguridad que tengan la etiqueta "ANSI Z87.1" en el paquete. Apague la unidad antes de dejarla en el piso o dejar de agarrar el asa. Podrían producirse descargas eléctricas si se utiliza en superficies mojadas. Dirija la descarga de la herramienta solamente hacia el área de trabajo. No dirija la descarga hacia las personas que se encuentren presentes. Mantenga alejados a los niños.

ADVERTENCIA: Para reducir el riesgo de sacudidas eléctricas, no exponga la aspiradora a la lluvia y almacénela en interiores.

GUARDE ESTE MANUAL

Introducción

Esta aspiradora para mojado/seco con soplador desmontable está diseñada para uso doméstico solamente. Se puede utilizar para recoger materiales mojados o secos y se puede usar como soplador.

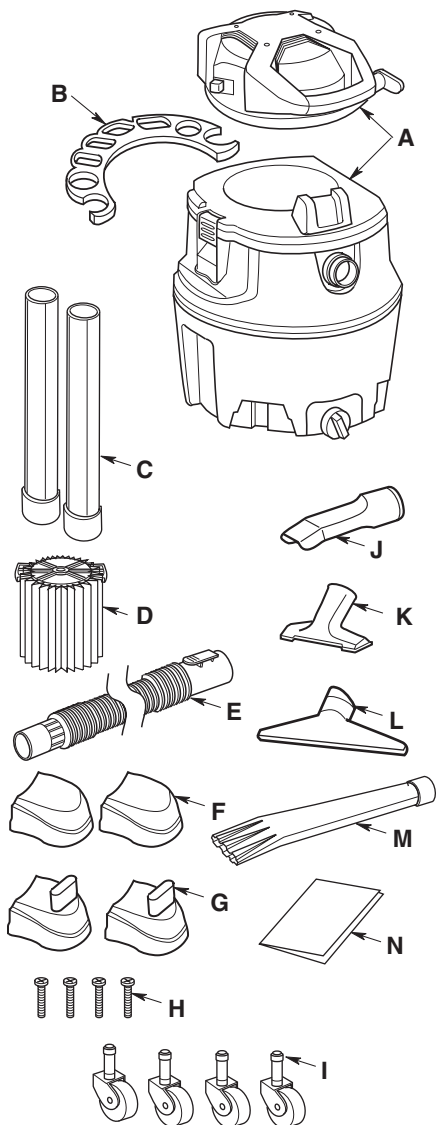
Lea este manual del usuario para familiarizarse con las características del producto y para entender la utilización específica de su nueva aspiradora.

Desempaquetado y comprobación del contenido de la caja de cartón

Saque todo el contenido de la caja de cartón. Asegúrese de que no falte ningún artículo utilizando la lista del contenido de la caja. Llame al 1-800-4-RIDGID (1-800-474-3443) desde los EE.UU. y Canadá, y al 01-800-701-9811 desde México, o envíenos un correo electrónico a info@ridgidvac.com si cualquier pieza está dañada o falta.

Lista del contenido de la caja de cartón

Clave	Descripción	Cant.
A	Aspiradora para mojado/seco	1
B	SopORTE de almacenamiento de accesorios ...	1
C	Tubos extensores.....	2
D	Filtro Qwik Lock™.....	1
E	Manguera.....	1
F	Pies de ruedecilla	2
G	Pies de ruedecilla con área de almacenamiento	2
H	Tornillos No. 10 x 1-3/4 pulgadas	4
I	Ruedecilla	4
J	Boquilla para auto.....	1
K	Boquilla de uso general	1
L	Boquilla para mojado.....	1
M	Tubo extensor del soplador	1
N	Manual del usuario	1



Remoción e instalación del filtro

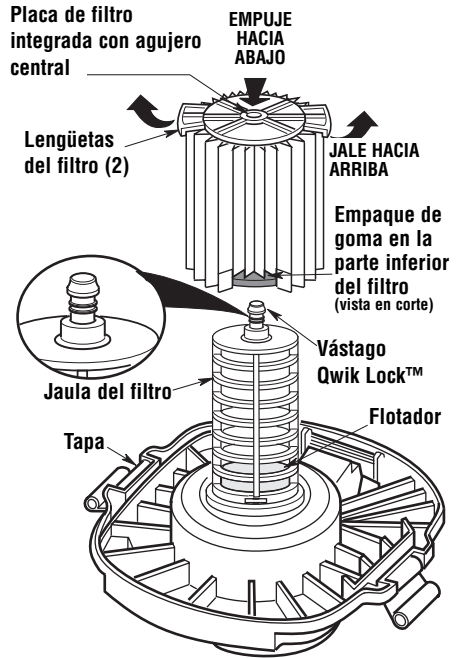
Remoción e instalación del filtro Qwik Lock™

Remoción del filtro:

1. Sostenga las lengüetas del filtro Qwik Lock™ en cada mano.
2. Con un dedo pulgar en el vástago Qwik Lock™, que sobresale a través de la placa del filtro integrada, levante las lengüetas del filtro a la vez que empuja hacia abajo sobre el vástago.
3. Esta acción hará que el filtro se suelte de la jaula del filtro. Deslice el filtro hasta retirarlo de la jaula.

Instalación del filtro:

1. Deslice cuidadosamente el filtro Qwik Lock™ sobre la jaula del filtro y presione hacia abajo sobre el borde exterior del filtro hasta que el empaque de goma ubicado en la parte inferior del filtro se asiente firmemente alrededor de la base de la jaula del filtro y contra la tapa.
2. Alinee el agujero central pequeño ubicado en la parte superior del filtro sobre el vástago Qwik Lock™ ubicado en la jaula del filtro. Presione firmemente sobre la parte de arriba del filtro cerca del vástago, para permitir que el filtro se acople a presión sobre la bola ubicada en el extremo del vástago. Una vez hecho esto, el filtro estará instalado.



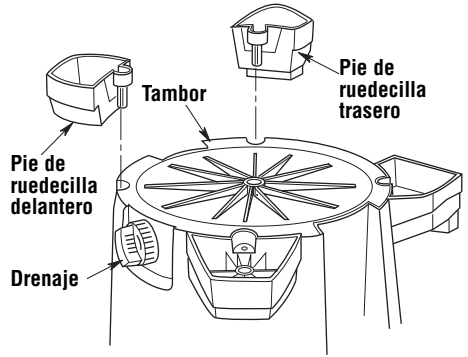
NOTA: Si no se asienta apropiadamente el empaque inferior, el resultado podría ser que los residuos pasen por alto el filtro.

Ensamblaje del tambor y los pies de ruedecilla

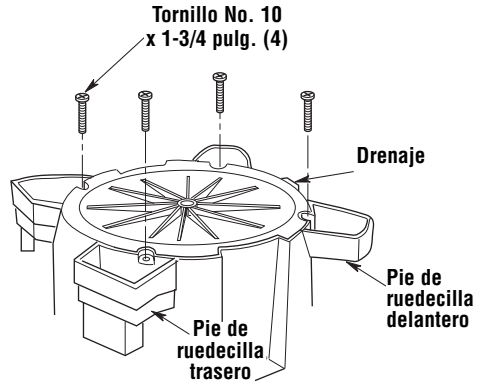
Si cualquiera de las piezas falta o está dañada, póngase en contacto con Servicio al Cliente.

No monte la aspiradora hasta que tenga todas las piezas.

1. Introduzca los pies de ruedecilla delanteros y traseros en la parte inferior del tambor, de la manera que se muestra en la ilustración. Es posible que sea necesario dar unos golpes ligeros con un mazo o un martillo para asentar completamente ambos pies de ruedecilla.

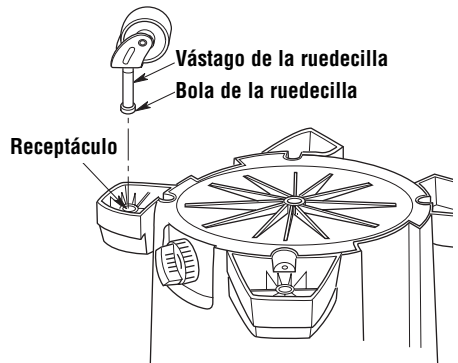


2. Instale (4) tornillos No. 10 x 1-3/4 de pulgada en los agujeros correspondientes que están tanto en los pies de ruedecilla delanteros como traseros, sujetándolos firmemente a la parte inferior del tambor. Apriete los tornillos sólo hasta que queden perfectamente ajustados. No los apriete demasiado, ya que esto podría tender a deformar los pies de ruedecilla.



3. Introduzca el vástago de ruedecilla en cada pie de ruedecilla, de la manera que se muestra en la ilustración.

4. Empuje sobre la ruedecilla hasta que la bola del vástago de la ruedecilla esté introducida completamente en el receptáculo. Usted podrá oír como la bola se acopla a presión en el receptáculo y la ruedecilla girará fácilmente cuando el posicionamiento sea correcto.

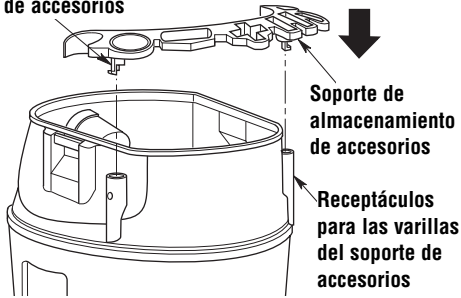


Soporte de almacenamiento de accesorios

Instalación del soporte de almacenamiento de accesorios

1. Posicione las varillas del soporte de almacenamiento de accesorios directamente sobre los receptáculos para las varillas del soporte de accesorios, ubicados en el tambor de polvo.
2. Deslice el soporte de almacenamiento de accesorios al interior de los receptáculos para las varillas del soporte de accesorios hasta que esté completamente asentado con los clips del soporte bloqueados.

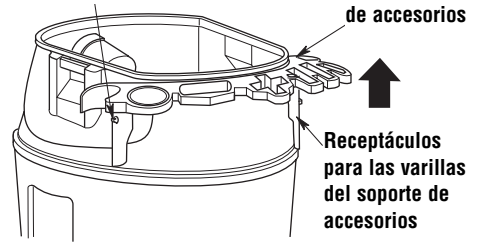
Clips del soporte de almacenamiento de accesorios



Remoción del soporte de almacenamiento de accesorios

Empuje hacia adentro ambos clips del soporte de almacenamiento de accesorios y luego jale directamente hacia arriba las varillas del soporte de almacenamiento de accesorios.

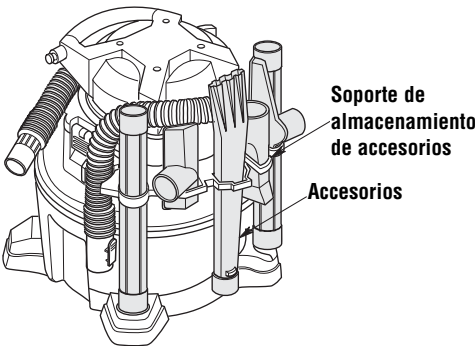
Clips del soporte de almacenamiento de accesorios



Almacenamiento de accesorios

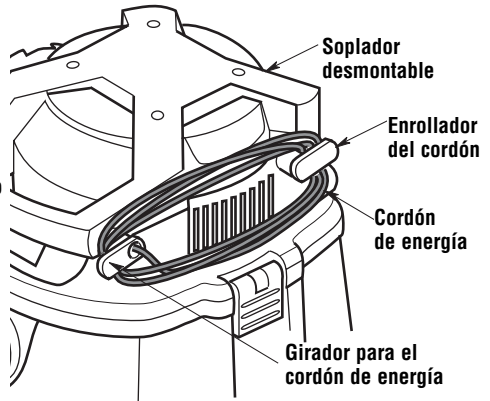
El soporte de almacenamiento de accesorios ha sido diseñado para albergar todos los accesorios incluidos con la aspiradora. Los accesorios y la manguera se deben almacenar de la manera que se muestra en la ilustración.

NOTA: Inserte el extremo hembra del tubo extensor en el manguito del soporte de la manera que se muestra en la ilustración.



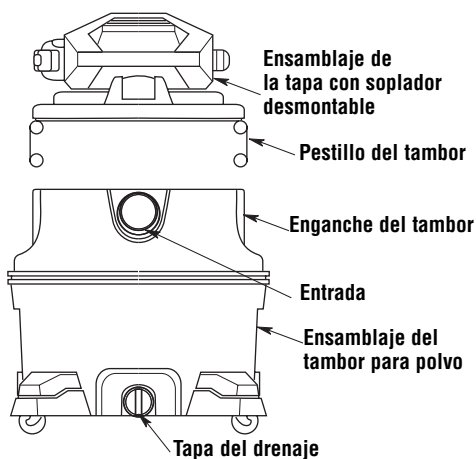
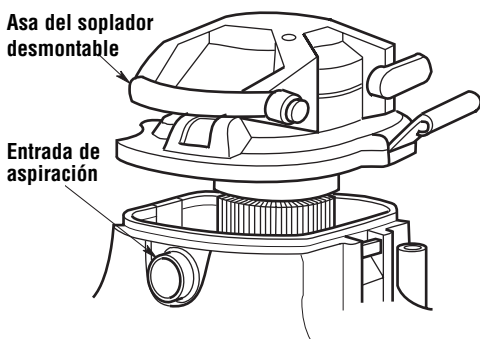
Enrollado del cordón

Cuando haya terminado de limpiar con la aspiradora, desenchufe el cable de alimentación y enróllelo alrededor del soplador desmontable de la manera que se muestra en la ilustración.



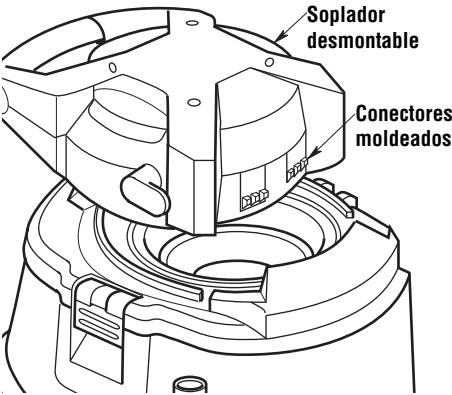
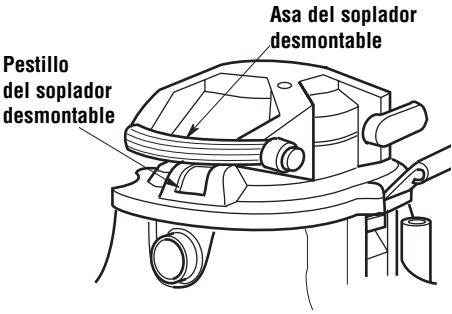
Ensamblaje de la aspiradora para mojado/seco

1. Localice el ensamblaje de la tapa y el ensamblaje del tambor (ensamblados antes).
2. Posicione el ensamblaje de la tapa con el asa del soplador desmontable de la unidad ubicada encima de la entrada de la aspiradora sobre el tambor de polvo.
3. Para ensamblar el ensamblaje de la tapa en el ensamblaje del tambor, baje el ensamblaje de la tapa sobre el tambor de polvo. Rote ambos pestillos hacia abajo hasta que oiga cómo se acoplan a presión sobre los enganches del tambor para los pestillos.



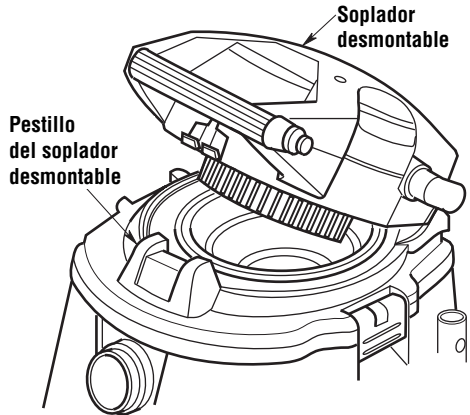
Posicionamiento del soplador desmontable (ensamblaje del cabezal del motor)

1. Para quitar el soplador desmontable del ensamblaje de la tapa, presione hacia abajo sobre el pestillo del cabezal del motor debajo del asa del soplador desmontable y levante el soplador para separarlo de la tapa de la aspiradora.

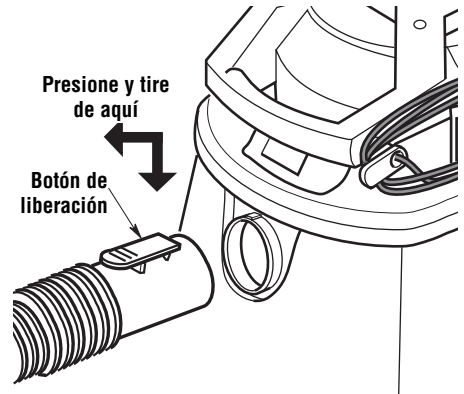


2. Para reinstalar el soplador desmontable sobre el ensamblaje de la tapa, posicione dicho soplador desmontable sobre el área prevista del ensamblaje de la tapa. Gire el soplador desmontable hacia abajo hasta que el recorrido de la unidad se detenga.

3. Presione ligeramente hacia abajo sobre el asa de transporte del soplador desmontable hasta que oiga el "golpe seco" que se produce cuando el pestillo para el soplador desmontable se acopla a dicho soplador desmontable. Después de esto, el soplador desmontable estará sujeto al ensamblaje de la tapa.



4. Su nueva aspiradora para mojado/seco está lista para utilizarse. Con la aspiradora para mojado/seco completamente ensamblada y lista para utilizarse, introduzca en la entrada de la aspiradora el extremo de la manguera "arrastrable con la aspiradora" que tiene el botón pulsador. La manguera debe acoplarse a presión en su sitio. Para quitar la manguera de la aspiradora, presione el botón de liberación que está en el ensamblaje de la manguera y tire de la manguera hasta sacarla de la entrada de la aspiradora, de la manera que se muestra en la ilustración.



Funcionamiento

⚠ ADVERTENCIA: Para reducir el riesgo de incendio, explosión o daños a la aspiradora:

- No deje la aspiradora en marcha mientras esté desatendida. Usted podría no notar señales importantes que indiquen un funcionamiento anormal, tal como pérdida de succión, residuos o líquido que salen por el escape o ruidos anormales del motor. Deje de usar la aspiradora inmediatamente si observa estas señales.
- No deje la aspiradora enchufada cuando no se esté utilizando.
- No continúe usando la aspiradora cuando el flotador haya cortado la succión.
- No utilice la aspiradora en áreas con gases inflamables, vapores inflamables o polvo explosivo en el aire. Las chispas generadas dentro del motor pueden incendiar los materiales inflamables suspendidos en el aire. Los gases inflamables y los vapores inflamables incluyen: líquido encendedor, limpiadores tipo solvente, pinturas a base de aceite, gasolina, alcohol o rociadores tipo aerosol. Los polvos inflamables incluyen: polvo de carbón, polvo de magnesio, polvo de aluminio, polvo de grano de cereal o pólvera.
- No recoja con la aspiradora polvos explosivos, líquidos inflamables ni cenizas calientes.
- No use la aspiradora como un rociador.

⚠ ADVERTENCIA: Para reducir el riesgo de descargas eléctricas o lesiones:

- No exponga la aspiradora a la lluvia ni deje que entre líquido en el compartimiento del motor. Almacene la aspiradora en un lugar interior.
- No maneje el enchufe, el interruptor o la aspiradora con las manos mojadas.
- No haga servicio de ajustes y reparaciones de la aspiradora mientras esté enchufada. Si la aspiradora no está funcionando como debería, le faltan piezas, se ha caído, está dañada, se ha dejado a la intemperie o se ha caído al agua, devuélvala a un centro de servicio independiente o llame a servicio al cliente.
- No utilice un cordón de extensión, utilice únicamente cordones con capacidad nominal para uso a la intemperie que estén en buenas condiciones. No deje que la conexión entre en contacto con líquido.
- No recoja con la aspiradora materiales tóxicos, para reducir el riesgo de inhalar los vapores o el polvo.

Para reducir el riesgo de sacudidas eléctricas, este aparato electrodoméstico tiene un enchufe polarizado (un terminal es más ancho que el otro). Excepto en el caso de los modelos de 230 V, este enchufe encajará solamente de una manera en un enchufe polarizado. Si el enchufe no entra por completo en el tomacorriente, déle la vuelta. Si sigue sin entrar, póngase en contacto con un electricista competente para instalar el tomacorriente adecuado. No haga ningún tipo de cambio en el enchufe.

Después de enchufar el cordón de energía en el tomacorriente, encienda la unidad empujando el interruptor de la posición "0" a la posición "1".

○ = APAGADO | = ENCENDIDO

Familiarícese con los accesorios que se incluyen con la aspiradora. Cada accesorio puede utilizarse de varias maneras para limpiar con la aspiradora y soplar residuos. A continuación aparece una lista de los accesorios y sus usos.

Tubos extensores: Estos tubos pueden conectarse entre sí y proporcionan longitud adicional para tener más alcance.

Boquilla de uso general: Boquilla de uso general para la mayoría de aplicaciones de aspiración.

Boquilla para auto: Boquilla para recoger materiales secos en interiores de auto y en la mayoría de limpiezas de tapicería.

Boquilla para mojado: Se utiliza para recoger materiales mojados en superficies lisas con el fin de recoger líquidos y secar la superficie en una sola pasada.

Tubo extensor del soplador: Se conecta directamente al ensamblaje del cabezal del motor y concentra el aire para realizar aplicaciones de soplado.

Manguera: Proporciona transferencia de capacidad de aspiración o soplado al lugar de trabajo. Proporciona los medios para acoplar los tubos extensores y las boquillas.

Soporte de almacenamiento de accesorios: Almacene todos los accesorios con la aspiradora.

Pies de ruedecilla: Almacene accesorios con la aspiradora.

Funcionamiento (continuación)

Recogida de materiales secos con la aspiradora

1. El filtro debe estar siempre en posición correcta, en todo momento, para evitar fugas y posibles daños a la aspiradora.
2. Al utilizar la aspiradora para recoger polvo muy fino, será necesario que usted vacíe el tambor y limpie el filtro a intervalos más frecuentes para mantener un rendimiento óptimo

NOTA: Se necesita un filtro seco para recoger material seco. Si utiliza la aspiradora para recoger polvo cuando el filtro está mojado, éste se atascará rápidamente y será muy difícil limpiarlo.

Recogida de líquidos con la aspiradora

1. Al recoger pequeñas cantidades de líquido se podrá dejar puesto el filtro.
2. Al recoger grandes cantidades de líquido recomendamos quitar el filtro. Si no se quita el filtro, éste se saturará y podrá aparecer niebla en el escape.

⚠ ADVERTENCIA: No utilice la aspiradora sin la jaula del filtro y el flotador, ya que estas piezas evitan que entre líquido en el impulsor y dañe el motor.

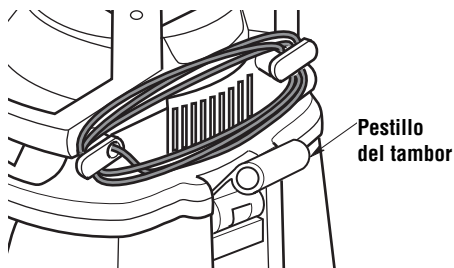
3. Cuando el líquido que se encuentre en el tambor alcance un nivel predeterminado, el mecanismo del flotador subirá automáticamente para cortar el flujo de aire. Sabrá que el flotador ha subido porque el flujo de aire de la aspiradora cesará y subirá el tono del ruido del motor debido a que se producirá un aumento de la velocidad del mismo. Cuando esto suceda, apague la aspiradora, desenchufe el cordón de energía y vacíe el tambor.
4. Después de usar la aspiradora para recoger líquidos, se debe secar el filtro para evitar posible moho y daños al filtro.

IMPORTANTE: Para reducir el riesgo de daños a la aspiradora, no tenga en marcha el motor con el flotador en la posición elevada.

Vaciado del tambor

⚠ ADVERTENCIA: Para reducir el riesgo de lesiones debidas a un arranque accidental, desenchufe el cordón de energía antes de vaciar el tambor.

1. Para retirar la tapa con el fin de vaciar el contenido del tambor de polvo, simplemente levante los dos pestillos del tambor ubicados en los lados del mismo, levante el ensamblaje de la tapa hasta separarlo del tambor de polvo y ponga dicho ensamblaje a un lado.
2. Coloque el ensamblaje de la tapa en posición invertida sobre un área limpia mientras vacía el tambor o cambia el filtro.
3. Vierta el contenido del tambor en el recipiente adecuado de eliminación de residuos.



4. Si el contenido es líquido, puede sacarlo de la aspiradora utilizando el drenaje suministrado en el tambor para vaciarlo fácilmente. Simplemente desenrosque la tapa del drenaje y deje que salga todo el líquido del tambor de la aspiradora.

⚠ ADVERTENCIA: Para reducir el riesgo de que se produzcan lesiones en la espalda o caídas, no levante la aspiradora si pesa demasiado debido a que contiene líquido o residuos. Saque o haga salir una cantidad suficiente del contenido para hacer que la aspiradora sea suficientemente liviana como para poder levantarla cómodamente.

Funcionamiento (continuación)

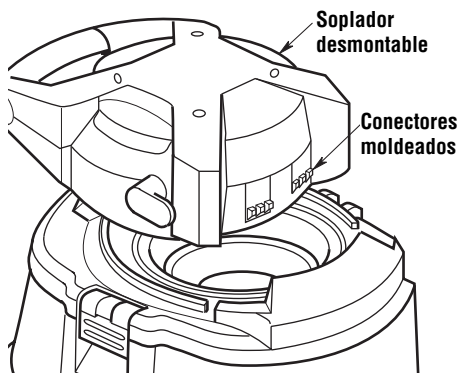
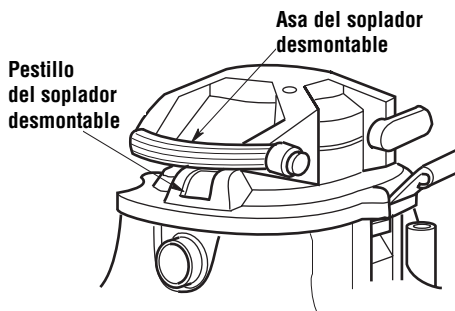
Traslado de la aspiradora para mojado/seco

En caso de que sea necesario levantar la aspiradora para trasladarla, las asas ubicadas en los lados del tambor para polvo se usan para levantar la aspiradora. Para maniobrar la aspiradora, se debe usar el asa de empuje que está sobre la entrada de la unidad.

Dispositivo de soplado

La aspiradora para mojado seco cuenta con un "soplador desmontable". Tiene capacidad para usarse como soplador dedicado para trabajo de jardín, limpieza de patios y aplicaciones de taller para soplar serrín y otros residuos.

1. Familiarícese con la porción del soplador desmontable de la aspiradora para mojado/seco.
2. Retire el soplador desmontable de la aspiradora presionando hacia abajo sobre el pestillo de dicho soplador, ubicado debajo del asa del mismo, y levante el soplador por el asa para retirarlo de la aspiradora.



⚠ ADVERTENCIA: Use siempre protectores oculares de seguridad que cumplan con la norma ANSI Z87.1 (o en Canadá, con la norma CSA Z94.3) antes de utilizar la aspiradora como soplador.

⚠ ADVERTENCIA: Para reducir el riesgo de lesiones a las personas que estén presentes, manténgalas alejadas de los residuos soplados.

⚠ PRECAUCIÓN: Use una máscara antipolvo si el soplado genera polvo que podría ser inhalado.

⚠ PRECAUCIÓN: Para reducir el riesgo de daños a la audición, use protectores de oídos cuando utilice la aspiradora/soplador durante muchas horas seguidas o cuando la utilice en un área ruidosa.

Funcionamiento (continuación)

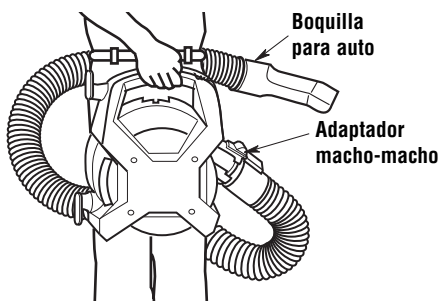
Utilización del soplador desmontable para “soplar”

Dos métodos sugeridos para utilizar el soplador son:

1. Inserte el extremo redondo del tubo extensor del soplador en el orificio de soplado del soplador desmontable y gírelo en el sentido de las agujas del reloj para bloquearlo.



- 0 -



3. ENCIENDA el soplador deslizando el interruptor ubicado en el asa del soplador hasta la posición “I”.

3. La aspiradora para mojado/seco también puede utilizarse para soplar utilizando la manguera de siete pies de longitud suministrada con la aspiradora para mojado/seco. Instale el extremo con botón pulsador de la manguera de aspiración en el orificio de soplado del soplador desmontable. Para tener control adicional, se puede añadir un tubo extensor y/o una boquilla para auto en el extremo opuesto de la manguera. Una vez hecho esto, la unidad estará lista para realizar aplicaciones de soplado.

Mantenimiento

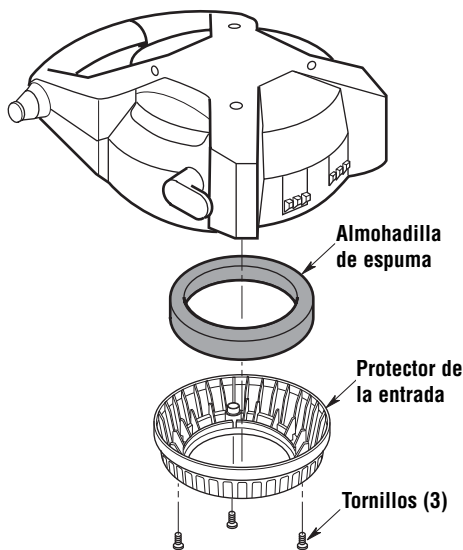
Entrada del soplador desmontable

⚠ ADVERTENCIA: Para reducir el riesgo de lesiones debidas a un arranque accidental, **desenchufe el cordón de energía antes de cambiar o limpiar el filtro o la almohadilla de espuma.**

Después de usar el soplador desmontable de la aspiradora para mojado/seco, examine el fondo del soplador para ver si hay polvo y residuos. Compruebe si la entrada al soplador tiene residuos adheridos a las aberturas de ventilación de plástico y la almohadilla de espuma.

Para limpiar la almohadilla de espuma ubicada debajo del protector de la entrada del soplador desmontable:

1. Quite los tres tornillos que sujetan el protector de la entrada.
2. Levante el protector de la entrada y luego póngalo a un lado.
3. Levante la almohadilla de espuma alejándola del soplador desmontable.
4. Retire la almohadilla de espuma y límpiela con aguja jabonosa templada o elimine los residuos con un cepillo. Deje que la almohadilla de espuma se seque.
5. Examine si la almohadilla de espuma se puede volver a utilizar. Si necesita cambiarla, revise la sección sobre piezas de servicio de este manual.



6. Reinstale la almohadilla de espuma invirtiendo los pasos 1 a 4.
7. Reinstale el protector de la entrada y los tres tornillos.

La unidad está lista para usarse.

Mantenimiento (continuación)

Filtro

NOTA: Este filtro está hecho de papel de alta calidad diseñado para detener partículas de polvo muy pequeñas. El filtro se puede usar para recoger material seco o pequeñas cantidades de líquido. Maneje el filtro cuidadosamente al quitarlo para limpiarlo o al instalarlo. Es posible que se produzcan arrugas en los pliegues del filtro, pero dichas arrugas no afectarán el funcionamiento del filtro.

Limpieza del filtro

El filtro se debe limpiar a menudo para mantener un rendimiento óptimo de la aspiradora.

Asegúrese de secar el filtro antes de guardar la aspiradora o de recoger residuos secos.

IMPORTANTE: Después de limpiar el filtro, compruebe si éste tiene desgarraduras o agujeros pequeños. No use un filtro que tenga agujeros o desgarraduras. Incluso un pequeño agujero puede permitir que salga mucho polvo por el orificio de salida de su aspiradora. Cámbielo inmediatamente.

Remoción del filtro

Consulte la sección de este manual "Remoción e instalación del filtro" en la página 25.

IMPORTANTE: Para evitar daños a la rueda del soplador y al motor, vuelva a instalar siempre el filtro antes de usar la aspiradora para recoger material seco.

Limpieza de un filtro seco

1. Se puede lograr una extracción parcial de residuos, sin quitar el filtro de la aspiradora, golpeando la parte superior de la tapa con la mano mientras la aspiradora está apagada.
2. Limpie el filtro en un área abierta. La limpieza SE DEBE realizar al aire libre y no en el interior de la vivienda.
3. Quite el filtro de la aspiradora. Golpee suavemente el filtro contra la pared interior del tambor para polvo. Los residuos se soltarán y caerán.
4. Para limpiar a fondo el filtro seco con polvo fino (sin residuos), pase agua a través de él, tal como se describe en la sección "Limpieza de un filtro mojado".

Limpieza de un filtro mojado

Después de quitar el filtro, haga pasar agua a través de él usando una manguera o desde una espita. Tenga cuidado de que la presión del agua procedente de la manguera no sea tan fuerte como para dañar el filtro.

Instalación

Consulte la sección de este manual "Remoción e instalación del filtro" en la página 25.

Deje que el filtro se seque antes de volver a instalarlo y de guardar la aspiradora.

Mantenimiento (continuación)

Limpieza y desinfección de la aspiradora para mojado/seco

Para mantener el mejor aspecto posible de la aspiradora para mojado/seco, limpie su exterior con un paño humedecido con agua templada y un jabón suave.

Para limpiar el tambor:

1. Vacíe de residuos el tambor.
2. Lave a fondo el tambor con agua templada y un jabón suave.
3. Limpie el tambor con un paño seco.

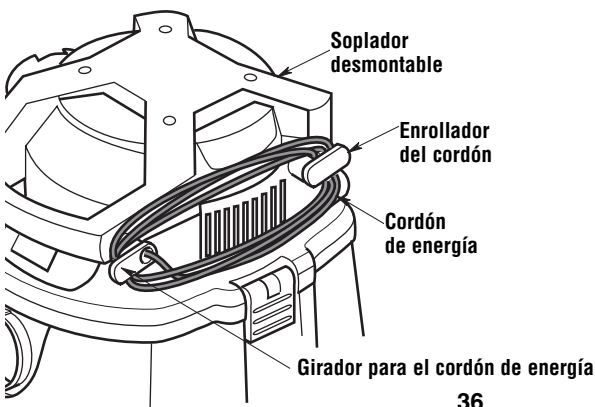
Antes de un almacenamiento prolongado o según sea necesario (por ejemplo, si se recogen aguas residuales), se debe desinfectar el tambor.

Para desinfectar el tambor:

1. Eche 1 galón de agua y 1 cucharadita de blanqueador de cloro en el tambor.
2. Deje que la solución repose durante 20 minutos y agítela cuidadosamente cada pocos minutos, asegurándose de mojar todas las superficies interiores del tambor.
3. Vacíe el tambor después de 20 minutos. Enjuáguelo con agua hasta que el olor a blanqueador desaparezca. Deje que el tambor se seque completamente antes de sellar el motor sobre el tambor.

Mantenimiento del cordón

Cuando haya terminado de limpiar con la aspiradora, desenchufe el cable de alimentación y enróllelo alrededor de los ganchos ubicados en un lado del soplador desmontable. Si el cordón de energía está dañado, debe ser reemplazado por el fabricante o su agente de servicio o por personal similarmente calificado, para reducir el riesgo de accidente.



Almacenamiento

Antes de almacenar la aspiradora, se debe vaciar y limpiar el tambor para polvo. El cordón y la manguera se deben almacenar de la manera que se describe en este manual. Los accesorios se deben mantener en la misma área que la aspiradora para que estén al alcance de la mano cuando se necesiten. La aspiradora se debe almacenar en interiores.

Ruedecillas

Si las ruedecillas hacen ruido, puede poner una gota de aceite en el eje del rodillo para que hagan menos ruido.

⚠ ADVERTENCIA: Para garantizar la **SEGURIDAD** y **CONFIABILIDAD** del producto, las reparaciones y los ajustes deben realizarse en los **Centros de Servicio autorizados**, usando siempre piezas de repuesto **RIDGID**.

Piezas de repuesto

Aspiradora para mojado/seco profesional de 16 galones Número de modelo WD16800/WD1680EX0

Las piezas RIDGID se encuentran disponibles en línea conectándose a www.ridgidparts.com

Pida siempre por número de pieza —no por número de clave

No. de clave	No. de pieza	Descripción
1	823200A	Flotador
2	823201-3	Jaula del filtro
3	VF4000	† Filtro Qwik Lock™
4	833170	Ensamblaje del tambor
5	73185	Tapa del drenaje
6	830715	Pie de ruedecilla delantero
7	830716	Pie de ruedecilla trasero
8	73102	Ruedecilla
9	833132	Soporte de almacenamiento de accesorios
10	826387	Pestillo del tambor
11	510128	Tapa (incluye las claves No. 10 y 18)
12	510118	Ensamblaje de soplador (sólo WD1680)
13	510119	Ensamblaje de soplador (sólo WD1680EX)
14	818961	Separador
15	818413	Rueda del soplador
16	315534-1	Arandela
17	826817	Tuerca
18	826388	Pestillo para el soplador desmontable
19	VT2509	† Boquilla de uso general
20	VT2503	† Boquilla para auto
21	833169	Tubo extensor del soplador
22	VT2510	† Boquilla para mojado
23	822256	Barredoras de goma
24	VT2508	† Tubo extensor
25	833177	Girador para el cordón de energía
26	826356-5	Manguera con cierre de 2-1/2 pulg. x 7 pies
27	SP6779	Manual del usuario

† Estas piezas de repuesto se encuentran disponibles en el establecimiento donde compró la aspiradora.


Piezas de repuesto (continuación)

Aspiradora para mojado/seco profesional de 16 galones
Número de modelo WD16800/WD1680EX0

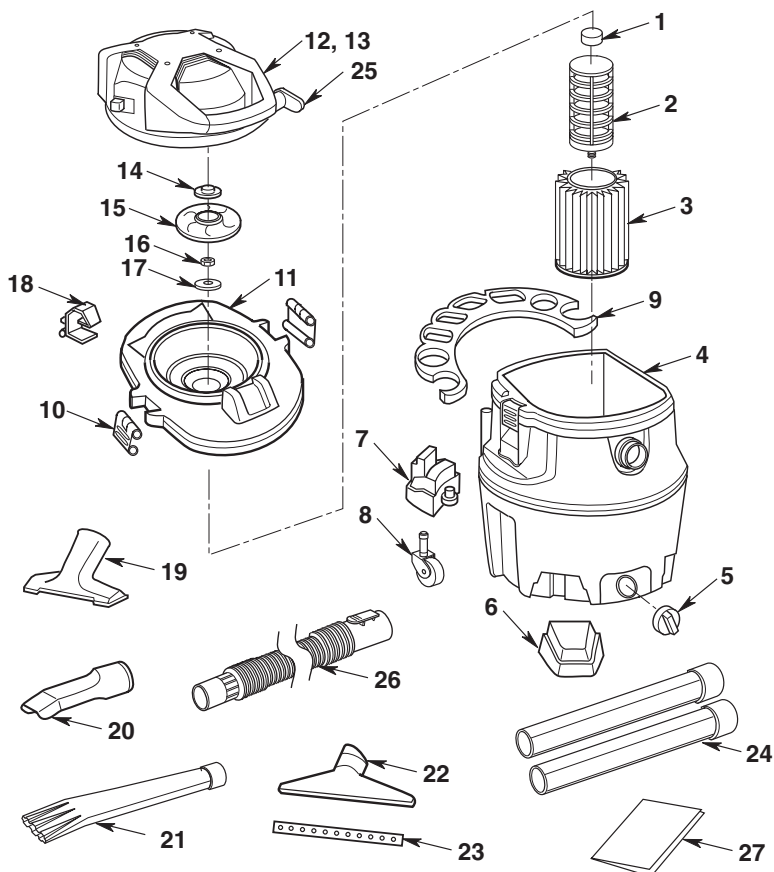
Las piezas RIDGID se encuentran disponibles en línea conectándose a www.ridgidparts.com

▲ ADVERTENCIA

SERVICIO DE AJUSTES Y REPARACIONES DE UNA ASPIRADORA PARA MOJADO/SECO CON AISLAMIENTO DOBLE

En una aspiradora para mojado/seco con aislamiento doble se proporcionan dos sistemas de aislamiento en vez de conexión a tierra. No se proporciona ningún medio de conexión a tierra en un aparato electrodoméstico con aislamiento doble, ni se debe añadir a éste ningún medio de conexión a tierra. El servicio de ajustes y reparaciones de una aspiradora para mojado/seco con aislamiento doble requiere extremado cuidado y conocimiento del sistema, y debe ser realizado únicamente por personal de servicio competente. Las piezas de repuesto para la aspiradora para mojado/seco con aislamiento doble deben ser idénticas a las piezas que reemplazan. La aspiradora para mojado/seco con aislamiento doble está marcada con las palabras "DOUBLE INSULATED" (con aislamiento doble) y puede que el símbolo  (un cuadrado dentro de un cuadrado) también esté marcado en los aparatos.

Para reducir el riesgo de lesiones por causa de descargas eléctricas, desenchufe el cordón de energía antes de hacer servicio de ajustes y reparaciones a las piezas eléctricas de la aspiradora para mojado/seco.



RIDGID®



- **Qué está cubierto**

Se garantiza que las aspiradoras para mojado/seco RIDGID® están libres de defectos de fabricación y de materiales.

- **Cuánto dura la cobertura**

Esta garantía dura toda la vida de las aspiradoras para mojado/seco RIDGID®.

- **Cómo puede obtener servicio**

Para obtener el beneficio de esta garantía, envíe el producto completo mediante transporte prepagado a RIDGE TOOL COMPANY, Elyria, Ohio, o a cualquier CENTRO DE SERVICIO INDEPENDIENTE RIDGID®. Las llaves para tubos y otras herramientas de mano deben devolverse al establecimiento de compra.

- **Qué haremos para corregir los problemas**

Las aspiradoras para mojado/seco garantizadas serán reparadas o reemplazadas, a opción de Ridge Tool Company, y serán devueltas sin cargo; o si después de tres intentos de reparar o reemplazar la aspiradora para mojado/seco durante el período de garantía ésta aún presenta defectos, usted puede optar por recibir un reembolso completo de su precio de compra.

- **Qué no está cubierto**

Las averías debidas a uso incorrecto, abuso o desgaste por el uso normal no están cubiertas por esta garantía. **RIDGE TOOL COMPANY NO SERÁ RESPONSABLE DE NINGÚN DAÑO FORTUITO NI EMERGENTE.**

- **Cómo se relaciona la ley local con la garantía**

Algunos estados no permiten la exclusión o limitación de los daños fortuitos o emergentes, por lo que es posible que la limitación o exclusión que antecede no tenga aplicación en su caso. Esta garantía le confiere a usted derechos específicos y es posible que también tenga otros derechos, que varían de un estado a otro, una provincia a otra o un país a otro.

- **Ninguna otra garantía expresa tiene aplicación**

Esta GARANTÍA COMPLETA DE POR VIDA es la garantía única y exclusiva de las aspiradoras para mojado/seco RIDGID®. Ningún empleado, agente, distribuidor u otra persona está autorizado a alterar esta garantía ni a dar ninguna otra garantía en nombre de Ridge Tool Company.

No. de catálogo **WD1680/WD1680EX**

No. de modelo **WD16800/WD1680EX0**

Número de serie _____

Los números de modelo y de serie se pueden encontrar en la parte trasera del ensamblaje del cabezal del motor. Debe anotar tanto el número de modelo como el de serie en un lugar seguro para uso futuro.

¿PREGUNTAS O COMENTARIOS? COMUNÍQUESE CON NOSOTROS EN

1-800-4-RIDGID (1-800-474-3443) desde los EE.UU. y Canadá

01-800-701-9811 desde México

www.ridgidvac.com

Por favor, tenga a mano su número de modelo y número de serie cuando llame.



EMERSON™
Professional Tools

Emerson Tool Company
Una División de
Emerson Electric Co.

© 2010 Emerson

No. de pieza SP6779

No. de formulario SP6779-1

Impreso en México 12/10

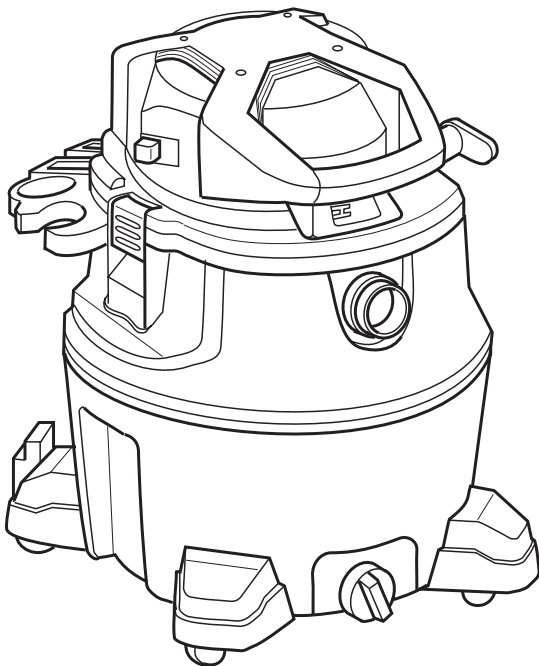
RIDGID®

MODE D'EMPLOI

ASPIRATEUR DE LIQUIDES
ET DE POUSSIÈRES PROFESSIONNEL
DE 60 LITRES (16 GALLONS DES É-U)

WD16800

WD1680EX0



EN CAS DE QUESTIONS OU POUR OBTENIR DES INFORMATIONS,
VEUILLEZ NOUS CONTACTER AU :

1-800-4-RIDGID (1-800-474-3443) depuis les États-Unis et le Canada
01-800-701-9811 depuis le Mexique

www.ridgidvac.com

▲ AVERTISSEMENT :

Pour réduire le risque de blessure, l'utilisateur doit lire et comprendre le mode d'emploi avant d'utiliser ce produit.

Merci d'avoir acheté un produit RIDGID.

CONSERVER CE MANUEL POUR RÉFÉRENCE FUTURE

Table des matières

Sujet	Page
Instructions importantes relatives à la sécurité	2
Introduction	4
Déballage et contrôle du contenu du carton	4
Retrait et installation du filtre	5
Assemblage du tambour/des pieds à roulettes	6
Porte-accessoires	7
Rangement des accessoires	7
Assemblage de l'aspirateur de liquides et de poussières	8
Positionnement de la soufflerie amovible (ensemble de tête du moteur)	9
Fonctionnement	10
Aspiration de matériaux secs	11
Aspiration de liquides	11
Vidage du tambour	11
Transport de l'aspirateur de liquides et de poussières	12

Sujet	Page
Fonction de soufflante	12
Utilisation de la soufflerie amovible pour « souffler »	13
Maintenance	14
Admission de la soufflerie amovible	14
Filtre	15
Nettoyage et désinfection de l'aspirateur de liquides et de poussières	16
Entretien du cordon d'alimentation	16
Rangement	16
Roulettes	16
Pièces de rechange	18
Réparation de l'aspirateur de liquides et de poussières doublement isolé	19
Garantie	20

INSTRUCTIONS IMPORTANTES RELATIVES À LA SÉCURITÉ

La sécurité est une combinaison de faire preuve de bon sens, rester vigilant et savoir comment votre aspirateur de liquides et de poussières (« aspirateur ») fonctionne.

Termes de signalisation de questions de sécurité

⚠ DANGER : indique une situation dangereuse qui, si elle n'est pas évitée, **causera** la mort ou une blessure grave.

⚠ AVERTISSEMENT : indique une situation dangereuse qui, si elle n'est pas évitée, **risque de causer** la mort ou une blessure grave.

⚠ MISE EN GARDE : indique une situation dangereuse qui, si elle n'est pas évitée, **pourrait causer** une blessure légère ou modérée.

Prenez toujours des précautions élémentaires, notamment les précautions suivantes, lorsque vous utilisez votre aspirateur de liquides et de poussières :

⚠ AVERTISSEMENT

– Pour réduire le risque d'incendie, de choc électrique ou de blessure :

- Lisez et comprenez ce manuel et toutes les étiquettes placées sur l'aspirateur avant de mettre celui-ci en marche.
- N'utilisez l'aspirateur que comme cela est décrit dans ce mode d'emploi.
- Ne laissez pas en marche pendant que vous êtes absent – vous vous risqueriez de manquer des signes importants indiquant un fonctionnement anormal, comme une perte de puissance d'aspiration, la sortie de débris ou de liquides par la bouche de soufflage d'air ou des bruits anormaux en provenance du moteur. Cessez immédiatement d'utiliser l'aspirateur si vous constatez de tels signes.
- Ne laissez pas l'aspirateur sans surveillance quand il est branché dans une prise de courant. Débranchez-le de la prise quand il n'est pas utilisé et avant toute opération de maintenance.
- Des étincelles à l'intérieur du moteur risquent de mettre feu à des vapeurs ou poussières

inflammables. Pour réduire le risque d'incendie ou d'explosion : n'utilisez pas à proximité de gaz ou de liquides inflammables ou combustibles, ou de poussières explosives, comme de l'essence automobile ou d'autres fiouls, de l'essence à briquet, des produits de nettoyage, de la peinture à l'huile, du gaz naturel, de l'hydrogène, de la poussière de charbon, de la poussière de magnésium, de la poussière d'aluminium, de la poussière de céréales ou de la poudre.

- N'aspirez jamais de matières en train de brûler ou des matières fumigènes, telles que des cigarettes, des allumettes ou des cendres chaudes.
- N'aspirez jamais de poussières de plaques de plâtre, de suie ou de cendres de cheminée froides lorsqu'un filtre pour aspirateur de liquides et de poussières standard. Il s'agit de poussières très fines qui risqueraient d'être projetées à nouveau dans l'air ambiant. Utilisez un filtre à poussières fines à la place.
- Pour réduire le risque d'inhalation de vapeurs toxiques, n'aspirez pas de matériaux toxiques ou dangereux, et n'utilisez pas à proximité de tels matériaux.
- Pour réduire le risque de choc électrique, n'exposez pas à la pluie et empêchez l'entrée de liquides dans le compartiment du moteur. Rangez à l'intérieur.
- Ne laissez pas les enfants se servir de l'aspirateur comme d'un jouet. Il faut surveiller de très près quand il est utilisé par des enfants ou à proximité d'enfants.
- N'utilisez pas avec un filtre déchiré ou sans avoir installé de filtre, sauf quand vous aspirez des liquides, comme cela est décrit dans ce mode d'emploi. Des débris secs capturés par la roue risquent d'endommager le moteur ou d'être expulsés à nouveau dans l'air ambiant.
- Éteignez l'aspirateur avant de le débrancher.
- Pour réduire le risque de blessure pouvant être causée par une mise en marche accidentelle, débranchez le cordon d'alimentation avant de changer le filtre ou de le nettoyer.
- Ne débranchez pas en tirant sur le cordon. Pour débrancher, saisissez la fiche – pas le cordon.
- N'utilisez pas l'aspirateur avec une fiche, un cordon

ou un autre composant endommagé. Si votre aspirateur ne fonctionne pas comme il faut, s'il manque des pièces, s'il quelqu'un l'a laissé tomber, s'il est endommagé, s'il a été laissé à l'extérieur ou s'il est tombé dans de l'eau, téléphonez au service d'assistance à la clientèle RIDGID.

- Ne tirez pas l'aspirateur et ne le portez pas par son cordon, n'utilisez pas le cordon pour servir de poignée, ne fermez pas une porte sur le cordon et ne laissez pas le cordon tendu passer sur des bords ou des coins tranchants. Ne traînez pas l'aspirateur sur son cordon. Maintenez le cordon à distance des surfaces chauffées.
- Ne touchez pas la fiche, l'interrupteur ou l'aspirateur avec des mains mouillées.
- Utilisez seulement des cordons de rallonge qui sont conçus pour emploi à l'extérieur. Les cordons de rallonge en mauvais état ou trop petits en termes de calibre des fils peuvent poser des risques d'incendie et de choc électrique. Pour réduire le risque de tels dangers, inspectez les cordons pour vous assurer qu'ils sont en bon état et que le liquide n'entre pas en contact avec le raccordement. N'utilisez pas de cordons de rallonge dont les conducteurs ont un calibre inférieur à 16 AWG. Pour réduire la perte d'énergie, utilisez un cordon de rallonge de calibre 14 s'il mesure entre 7,5 et 15 mètres de long, ou de calibre 12 s'il mesure 15 mètres de long ou plus.
- Cet aspirateur de liquides et de poussières a une double isolation, ce qui élimine le besoin d'un système de mise à la terre séparé. Utilisez seulement des pièces de rechange identiques. Lisez les instructions concernant l'entretien des aspirateurs de liquides et de poussières à double isolation avant toute opération d'entretien.
- Ne mettez aucun objet dans les orifices de ventilation. N'aspirez pas quand de quelconques orifices de ventilation sont obstrués ; assurez-vous que ces orifices ne sont pas bloqués par de la poussière, de la peluche, des cheveux ou de quelconques objets pouvant réduire la circulation de l'air.
- Gardez les cheveux, les vêtements flottants, les doigts et toutes les parties du corps à distance des orifices et des pièces mobiles.
- Pour réduire le risque de chute, faites très attention lorsque vous utilisez l'aspirateur dans des escaliers.
- Pour réduire le risque de vous faire mal au dos ou de tomber, ne soulevez pas un aspirateur qui est lourd en raison de la présence de liquides ou de débris aspirés. Videz partiellement l'aspirateur en écopant ou en purgeant de façon à l'alléger pour pouvoir le soulever plus facilement.
- Pour réduire le risque de blessure ou le risque d'endommagement de l'aspirateur, n'utilisez que des accessoires recommandés par Ridgid.
- En cas d'utilisation de l'aspirateur comme soufflante :
 - Ne dirigez la décharge d'air que vers la zone de travail.
 - Éteignez l'appareil avant de le déposer sur le sol ou d'en relâcher la poignée.
 - Ne le posez pas dans un liquide ; ceci risquerait de causer un choc électrique.
 - Ne dirigez pas l'air vers des personnes présentes à proximité.

- Gardez les enfants à distance lors du fonctionnement de la soufflante.
- N'utilisez la soufflante que pour souffler des saletés et des débris.
- N'utilisez pas en guise de pulvérisateur.
- Portez des lunettes de sécurité.
- Pour réduire le risque de blessure pour les yeux, portez des lunettes de sécurité. L'utilisation de tout soufflante ou de tout aspirateur utilitaire peut toujours causer la projection de corps étrangers dans les yeux, ce qui risque d'entraîner des blessures graves aux yeux.

▲ MISE EN GARDE :

- Pour réduire le risque de perte auditive, portez des protecteurs d'oreilles lorsque vous vous servez de l'aspirateur pendant plusieurs heures ou quand vous l'utilisez dans un endroit bruyant.
- Portez un masque antipoussières en cas d'utilisation dans un environnement poussiéreux.
- Les décharges statiques sont fréquentes dans les endroits secs ou lorsque l'humidité relative de l'air ambiant est faible. L'aspiration de débris fins avec votre aspirateur peut déposer une charge statique sur le tuyau ou sur l'aspirateur. La meilleure chose à faire pour réduire la fréquence des décharges statiques chez vous ou lorsque vous utilisez cet aspirateur consiste à ajouter de l'humidité dans l'air avec un humidificateur.

Observez les avertissements suivants qui figurent sur le carter du moteur de votre aspirateur :



DOUBLEMENT ISOLÉ.
MISE À LA TERRE NON NÉCESSAIRE.
POUR L'ENTRETIEN, N'UTILISEZ QUE DES PIÈCES DE RECHANGE IDENTIQUES L'ENTRETIEN.

▲ AVERTISSEMENT :

- **Pour votre propre sécurité, lisez et comprenez le manuel de l'opérateur.**
- **Ne laissez jamais l'aspirateur en marche sans surveillance.**
- **Ne ramassez pas de cendres chaudes, de charbon ou de matières toxiques, inflammables ou dangereuses.**
- **N'utilisez pas à proximité de vapeurs ou de liquides explosifs.**

▲ AVERTISSEMENT : lorsque vous utilisez la soufflerie : portez des lunettes de sécurité comportant l'inscription « ANSI Z87.1 » sur l'emballage. Éteignez l'appareil avant de le poser à terre ou d'en relâcher la poignée. Il existe un risque de décharge électrique en cas d'utilisation sur des surfaces humides. Dirigez la décharge de l'outil exclusivement sur la zone de travail. Ne la dirigez pas en direction de personnes présentes. Gardez les enfants à distance.

AVERTISSEMENT : pour réduire le risque de choc électrique – n'exposez pas à la pluie – rangez à l'intérieur.

CONSERVER CE MANUEL

Introduction

Cet aspirateur de liquides et de poussières avec soufflerie amovible est conçu pour un emploi résidentiel. Il peut être utilisé pour aspirer des matières humides ou sèches, et il peut être utilisé comme soufflante.

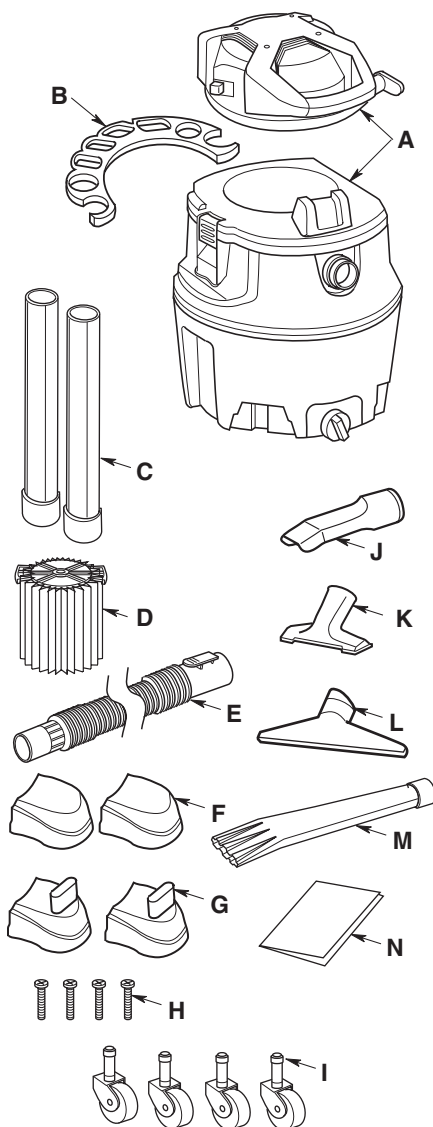
Lisez ce mode d'emploi pour vous familiariser avec les fonctions du produit et pour comprendre les particularités d'utilisation de votre nouvel aspirateur.

Déballage et contrôle du contenu du carton

Retirez tous les éléments se trouvant dans la boîte en carton. Inspectez chaque élément en le comparant à la liste incluse dans la boîte en carton. Téléphonez au 1-800-4-RIDGID (1-800-474-3443) depuis les États-Unis et le Canada, 01-800-701-9811 depuis le Mexique, ou envoyez-nous un courriel à info@ridgidvac.com si de quelconques composants sont endommagés ou manquants.

Liste du contenu de la boîte en carton

Légende	Description	Qté
A	Aspirateur de liquides et de poussières	1
B	Porte-accessoires	1
C	Baguettes de rallonge	2
D	Filtre Qwik Lock™	1
E	Tuyau	1
F	Pieds à roulettes	2
G	Pieds à roulettes avec aire de rangement	2
H	Vis N° 10 x 1-3/4 po	4
I	Roulette	4
J	Suceur pour véhicules	1
K	Suceur à usages multiples	1
L	Suceur humide	1
M	Tube de soufflante	1
N	Mode d'emploi	1



Retrait et installation du filtre

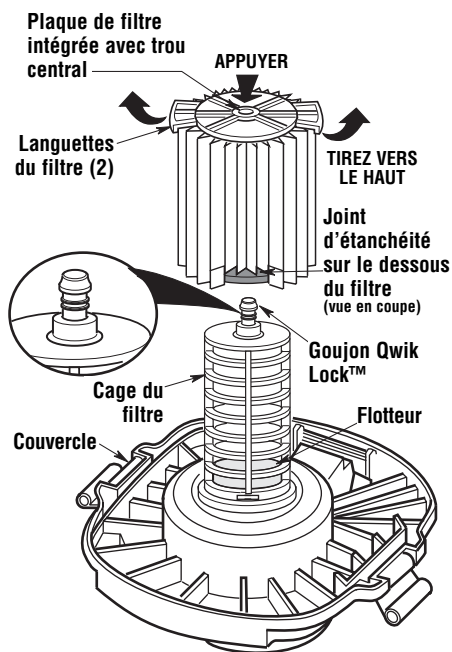
Retrait et installation du filtre Qwik Lock™

Retrait du filtre :

1. Saisissez les deux languettes du filtre Qwik Lock™, une dans chaque main.
2. Placez un pouce sur le goujon Qwik Lock™, qui dépasse de la plaque de filtre intégrée, tirez sur les languettes du filtre et appuyez en même temps sur le goujon.
3. Cette action aura pour effet que le filtre sera relâché de la cage du filtre. Faites glisser le filtre pour le sortir de la cage.

Installation du filtre :

1. Faites glisser délicatement le filtre Qwik Lock™ par-dessus la cage du filtre et appuyez sur le bord extérieur du filtre jusqu'à ce que le joint d'étanchéité en caoutchouc sur le dessous du filtre soit solidement installé autour de la base de la cage du filtre et contre le couvercle.
2. Alignez le petit trou central sur le dessus du filtre au-dessus du goujon Qwik Lock™ sur la cage du filtre. Appuyez fermement sur le dessus du filtre, à proximité du goujon, pour permettre au filtre de s'emboîter sur l'embout sphérique du goujon. Le filtre est maintenant installé.



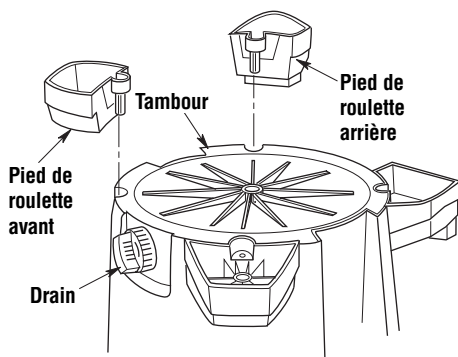
REMARQUE : si vous n'installez pas correctement le joint d'étanchéité du dessous, il est possible que des débris passent à côté du filtre.

Assemblage du tambour/pied de roulette

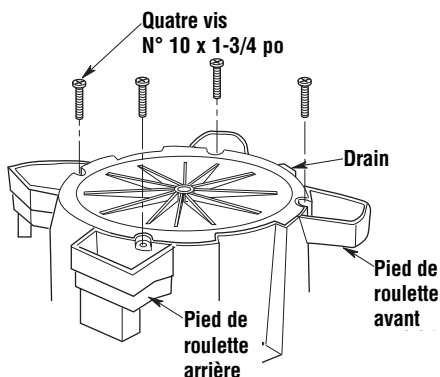
Si l'une quelconque des pièces est absente ou a été endommagée, veuillez contacter le service clientèle.

N'assemblez pas le tambour avant que toutes les pièces soient à votre disposition.

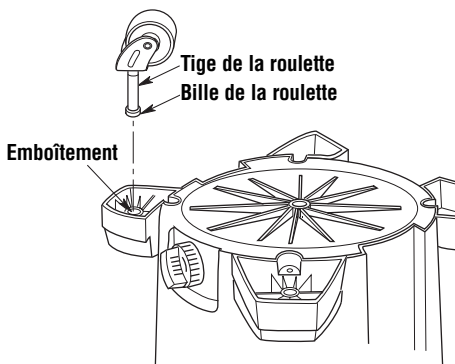
1. Insérez les pieds de roulettes avant et arrière dans la partie inférieure du tambour tel que cela est illustré. Il sera peut-être nécessaire de tapoter à l'aide d'un maillet ou d'un marteau pour asseoir complètement les deux pieds de roulettes.



2. Installez 4 vis N° 10 x 1-3/4 po dans les trous réservés à cet effet sur les pieds de roulettes avant et arrière, en les assujettissant à la partie inférieure du tambour. Ne serrez pas excessivement car cela pourrait déformer les pieds des roulettes.



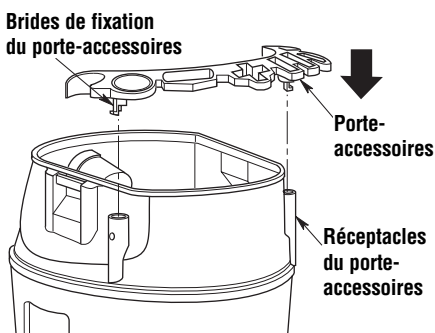
3. Insérez la tige de la roulette dans le pied de la roulette tel que cela est illustré.
4. Poussez sur la roulette jusqu'à ce que la bille située sur la tige de la roulette soit insérée à fond dans l'emboîtement. Vous pourrez entendre un bruit sec lorsque la bille s'encastrera dans l'emboîtement, et la roulette pivotera facilement une fois que le positionnement aura bien été effectué.



Porte-accessoires

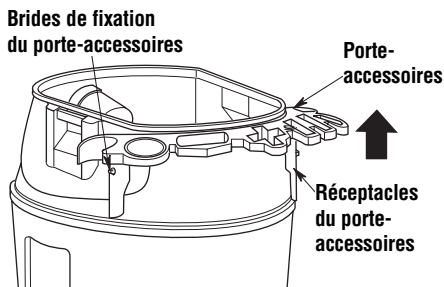
Installation du porte-accessoires

1. Positionnez les tiges du porte-accessoires directement au-dessus des réceptacles de tiges du porte-accessoires dans le tambour à poussière.
2. Faites glisser le porte-accessoires dans les réceptacles des tiges du porte-accessoires jusqu'à ce qu'il soit bien en place avec les brides de fixation en position fermée.



Retrait du porte-accessoires

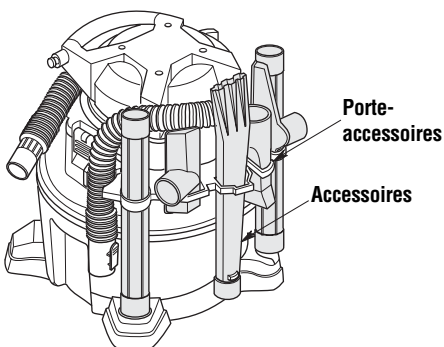
Appuyez sur les deux brides de fixation du porte-accessoires, puis tirez tout droit vers le haut sur les tiges du porte-accessoires.



Rangement des accessoires

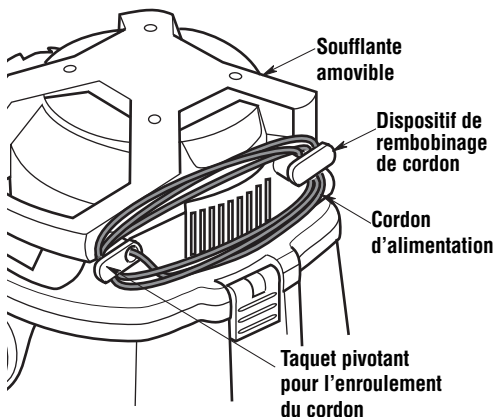
Votre porte-accessoires a été conçu pour contenir tous les accessoires fournis avec votre aspirateur. Les accessoires et le tuyau flexible doivent être rangés comme on peut le voir sur l'illustration.

REMARQUE : insérez le bout femelle du tube de rallonge dans le manchon du porte-accessoires comme illustré.



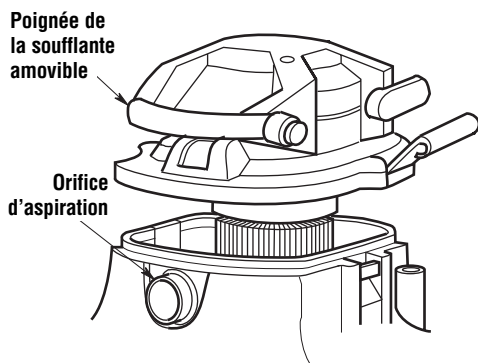
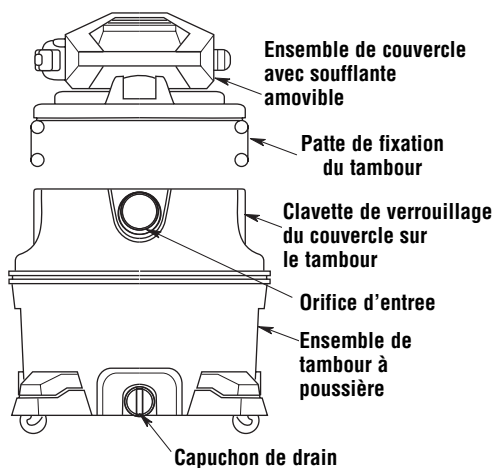
Enroulement du cordon

Lorsque vous aurez fini d'utiliser l'aspirateur, débranchez le cordon et enroulez-le autour de la soufflante amovible comme cela est illustré.



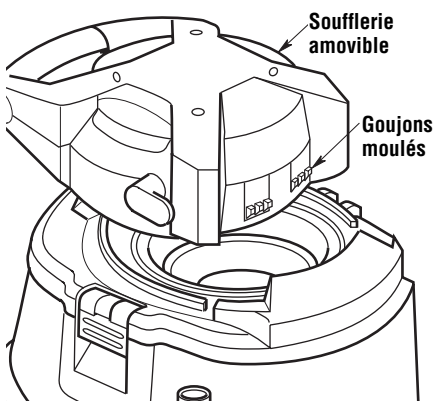
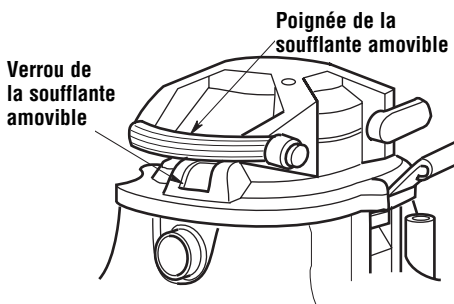
Assemblage de l'aspirateur de liquides et de poussières

1. Localisez l'ensemble de couvercle et l'ensemble de tambour (qui ont déjà été assemblés).
2. Positionnez l'ensemble de couvercle avec la poignée de la soufflante amovible de l'appareil située au-dessus de l'orifice d'admission sur le tambour à poussière.
3. Pour monter l'ensemble de couvercle sur l'ensemble de tambour, abaissez l'ensemble de couvercle sur le tambour à poussière. Faites tourner les deux verrous vers le bas jusqu'à ce que vous entendiez un déclic indiquant qu'ils sont enclenchés dans les clavettes de verrouillage du couvercle sur le tambour.



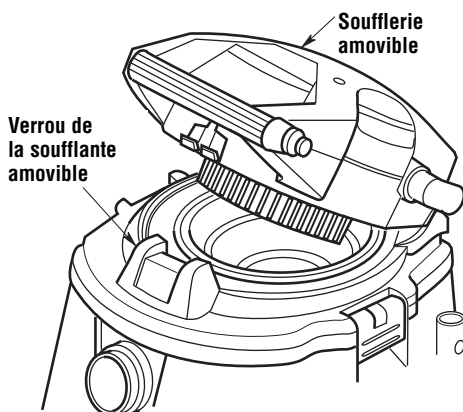
Positionnement de la soufflerie amovible (ensemble de tête du moteur)

1. Retirer la soufflerie amovible de l'ensemble de couvercle en appuyant vers le bas sur la patte de fixation de la tête du moteur qui est située sous la poignée de la soufflerie amovible et en soulevant la soufflerie hors du couvercle de l'aspirateur.

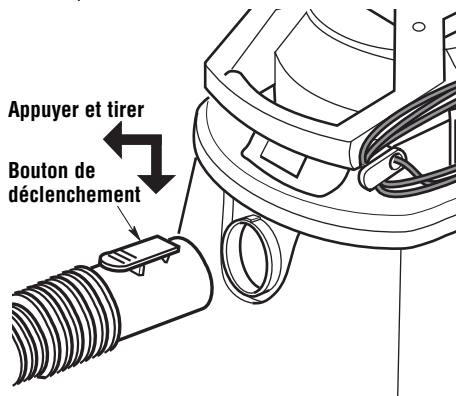


2. Pour remettre la soufflante amovible sur l'ensemble de couvercle, positionnez la soufflante amovible au-dessus de la partie en retrait de l'ensemble de couvercle. Faites tourner la soufflante amovible vers le bas jusqu'à la fin de la course du dispositif.

3. Appuyez légèrement sur la poignée de transport de la soufflante amovible jusqu'à ce que vous entendiez le déclic indiquant que le verrou de la soufflante amovible s'est bien enclenché dans la soufflante amovible. La soufflerie amovible est maintenant assujettie à l'ensemble de couvercle.



4. Le nouvel aspirateur de liquides et de poussières est désormais prêt à être utilisé. L'aspirateur de liquides et de poussières étant tout à fait assemblé et prêt à être utilisé, insérer l'extrémité du tuyau flexible munie du bouton-poussoir dans l'admission de l'aspirateur. Le tuyau devrait s'encliqueter en place. Afin de retirer le tuyau de l'aspirateur, appuyer sur le bouton de déclenchement sur l'ensemble de tuyau et retirez le tuyau de l'admission de l'aspirateur de la façon indiquée sur l'illustration.



Fonctionnement

⚠ AVERTISSEMENT : pour réduire le risque d'incendie, d'explosion ou d'endommagement de l'aspirateur :

- Ne laissez pas en marche pendant que vous êtes absent – vous vous risqueriez de manquer des signes importants indiquant un fonctionnement anormal, comme une perte de puissance d'aspiration, la sortie de débris ou de liquides par la bouche de soufflage d'air ou des bruits anormaux en provenance du moteur. Cessez immédiatement d'utiliser l'aspirateur si vous constatez de tels signes.
- Ne laissez pas l'aspirateur branché lorsque vous ne l'utilisez pas.
- Ne continuez pas à utiliser l'aspirateur lorsque le flotteur a coupé l'aspiration.
- N'utilisez pas l'aspirateur à des endroits où il y a des gaz ou vapeurs inflammables, ou des poussières explosives, dans l'air. Les étincelles à l'intérieur du moteur risqueraient de mettre feu à des matières inflammables en suspension dans l'air. Les gaz et vapeurs inflammables comprennent : essence à briquet, produits de nettoyage du type solvant, peinture à base d'huile, essence, alcool ou aérosols. Les poussières inflammables comprennent : charbon, magnésium, aluminium, grains ou poudre à canon.
- N'aspirez pas de poussières explosives, de liquides inflammables ou de cendres chaudes.
- Ne vous servez pas de l'aspirateur comme pulvérisateur.

⚠ AVERTISSEMENT : pour réduire le risque de choc électrique ou de blessure :

- N'exposez pas à la pluie, et ne laissez pas de liquides pénétrer dans le compartiment du moteur. Rangez à l'intérieur.
- Ne touchez pas la fiche de branchement, l'interrupteur ou l'aspirateur si vous avez les mains mouillées.
- N'effectuez pas d'opération de maintenance pendant que l'aspirateur est branché. Si votre aspirateur ne fonctionne pas comme il devrait, si des pièces sont manquantes, si vous l'avez laissé tomber, s'il est endommagé, s'il a été laissé à l'extérieur ou s'il a été immergé dans de l'eau, rappez-le dans un centre de réparation indépendant ou téléphonez au service d'assistance à la clientèle.
- Lorsque vous utilisez un cordon de rallonge, n'utilisez qu'un cordon prévu pour emploi à l'extérieur et en bon état. Ne laissez pas la connexion entrer en contact avec des liquides.
- N'aspirez pas de matières toxiques afin de réduire le risque d'inhalation des vapeurs ou des poussières dangereuses.

Pour réduire le risque de choc électrique, cet appareil est muni d'une fiche polarisée (une lame est plus large que l'autre). Sauf dans le cas des modèles 230 volts, cette fiche n'est compatible avec une prise polarisée que dans un seul sens. Si elle n'entre toujours pas, prendre contact avec un électricien qualifié pour installer une prise de courant appropriée. Ne pas altérer la fiche de quelque manière que ce soit.

Après avoir branché le cordon d'alimentation dans la prise de courant, mettez l'appareil sous tension en appuyant sur l'interrupteur pour le faire passer de la position « 0 » à la position « 1 ».

○ = ARRÊT | = MARCHÉ

Il faut bien se familiariser avec les accessoires qui ont été inclus avec cet aspirateur. Chaque accessoire peut-être utilisé de façons multiples pour l'aspiration ou le soufflage de débris. Voici une liste des accessoires et des divers moyens de les utiliser :

Baguettes de rallonge – ces baguettes peuvent être connectées les unes aux autres et augmenter ainsi la portée de l'aspirateur, ce qui permet à l'utilisateur d'atteindre plus d'endroits.

Suceur à usages multiples – usages divers pour la plupart des applications d'aspiration.

Suceur pour véhicules – suceur pour le ramassage de débris secs à l'intérieur d'un véhicule et pour le nettoyage de la plupart des garnitures.

Suceur humide – sert à ramasser les débris humides sur une surface lisse. Aspire le liquide et sèche la surface en même temps.

Tube de la soufflante – S'attache directement au bloc moteur afin de concentrer l'air pour les applications de soufflerie.

Tuyau – fournit un transfert du vide ou une capacité de soufflerie au site de travail où l'aspirateur est utilisé. Fournit le moyen de connecter les baguettes de rallonge ainsi que les suceurs.

Porte-accessoires – Pour ranger tous les accessoires avec votre aspirateur.

Pieds à roulette – ils permettent de ranger les accessoires avec l'aspirateur.

Fonctionnement (suite)

Aspiration de matériaux secs

1. Le filtre doit toujours être dans la position correcte afin d'éviter les fuites et de dommages à l'aspirateur.
2. Lors de l'utilisation de l'aspirateur pour ramasser des poussières très fines, il sera nécessaire de vider le tambour et de nettoyer le filtre à intervalles plus fréquents afin de continuer à bénéficier de la performance maximale de l'aspirateur.

REMARQUE : un filtre sec est nécessaire pour ramasser des matériaux secs. Si l'aspirateur est employé pour ramasser de la poussière alors que le filtre est humide, le filtre se bouchera très vite et il sera ensuite très difficile à nettoyer.

Aspiration de liquides

1. Lors de l'aspiration de faibles volumes de liquide, le filtre peut être laissé à sa place.
2. Si vous avez l'intention d'aspirer de grandes quantités de liquide, nous vous recommandons de retirer le filtre. Si vous ne retirez pas le filtre, il se saturera et un embuage risquera de se produire dans le système d'évacuation.

⚠ AVERTISSEMENT : n'utilisez pas l'aspirateur sans la cage du filtre et le flotteur à leur place. Le flotteur empêche l'eau de pénétrer dans l'hélice et d'endommager le moteur.

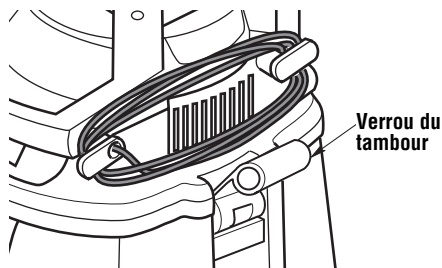
3. Lorsque le liquide aspiré atteint un niveau prédéterminé dans le tambour, le flotteur s'élèvera automatiquement afin de couper la circulation de l'air. L'élévation du niveau du flotteur se remarque parce qu'elle correspond à l'arrêt de la circulation de l'air à l'intérieur de l'aspirateur et parce que le bruit du moteur devient alors plus aigu en raison de l'accélération de sa vitesse. Lorsque ceci se produit, fermer l'aspirateur, débrancher le cordon électrique et vider le tambour.
4. Après que l'aspirateur aura été utilisé pour aspirer des liquides, il faudra sécher le filtre pour éviter la formation possible de moisissures et pour ne pas endommager le filtre.

IMPORTANT : pour réduire le risque d'endommager l'aspirateur, ne pas faire fonctionner le moteur pendant que le flotteur est en position élevée.

Vidage du tambour

⚠ AVERTISSEMENT : pour réduire le risque de blessure en raison d'une mise en marche accidentelle, débrancher le cordon électrique avant de vider le tambour.

1. Pour retirer le couvercle afin de vider le tambour à poussière, soulevez simplement les deux verrous du tambour sur les côtés du tambour à poussière et soulevez l'ensemble de couvercle pour le détacher du tambour à poussière, puis mettez-le de côté.
2. Poser l'ensemble de couvercle sens dessus dessous sur une zone propre et sèche pendant le vidage du tambour ou le changement du filtre.
3. Vider le contenu du tambour dans un récipient à déchets approprié.



4. Si le contenu est liquide, il est possible de vider le tambour au moyen du drain prévu dans le tambour pour en faciliter le vidage. Dévisser simplement le capuchon du drain et permettre au liquide de s'écouler entièrement du tambour.

⚠ AVERTISSEMENT : pour réduire le risque de chute ou de blessure au dos il ne faut pas soulever un aspirateur plein de liquide ou de débris. Ramasser ou drainer suffisamment du contenu hors de l'aspirateur afin de rendre l'aspirateur assez léger pour le soulever confortablement.

Fonctionnement (suite)

Transport de l'aspirateur de liquides et de poussières

Si vous avez besoin de soulever l'aspirateur pour le déplacer, vous pouvez utiliser les poignées situées sur les côtés du tambour à poussière qui ont été conçues à cet effet. Pour manœuvrer l'aspirateur, vous devez utiliser la poignée de traction située au-dessus de l'orifice d'admission.

Fonction de soufflante

L'aspirateur de liquides et de poussières est muni d'une « soufflerie amovible ». Cette soufflerie peut être utilisée de façon autonome, comme pour souffler les feuilles dans le jardin, pour nettoyer le patio ou pour d'autres applications dans un atelier – par exemple pour souffler la sciure et d'autres débris.

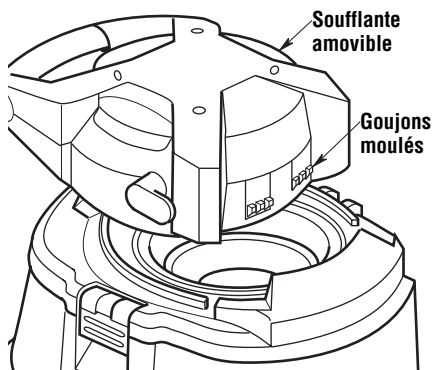
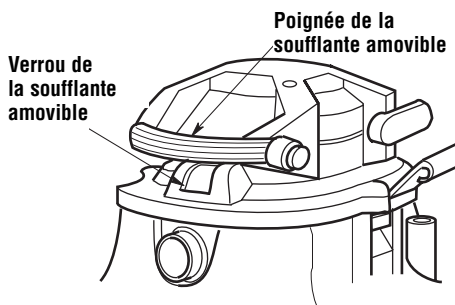
▲ AVERTISSEMENT : il faut toujours porter des lunettes de protection conformes à la norme ANSI Z87.1 (ou, au Canada, CSA Z94.3) avant de se servir de l'aspirateur comme une soufflerie.

▲ AVERTISSEMENT : pour ne pas risquer de causer des blessures à d'autres personnes, il est recommandé de leur demander de rester à distance suffisante des débris soufflés.

▲ MISE EN GARDE : portez un masque anti-poussière si votre soufflage crée de la poussière qui pourrait être aspirée.

▲ MISE EN GARDE : pour réduire le risque d'endommagement de l'ouïe, portez des protecteurs d'oreilles quand vous utilisez l'aspirateur/la souffleuse pendant de longues périodes ou quand vous l'utilisez dans un environnement bruyant.

1. L'opérateur/opératrice doit se familiariser avec la soufflerie amovible de l'aspirateur de liquides et de poussières.
2. Retirez la soufflante amovible de votre aspirateur en appuyant sur le verrou de la soufflante amovible en dessous de la poignée de la soufflante amovible et soulevez par la poignée pour retirer la soufflante.

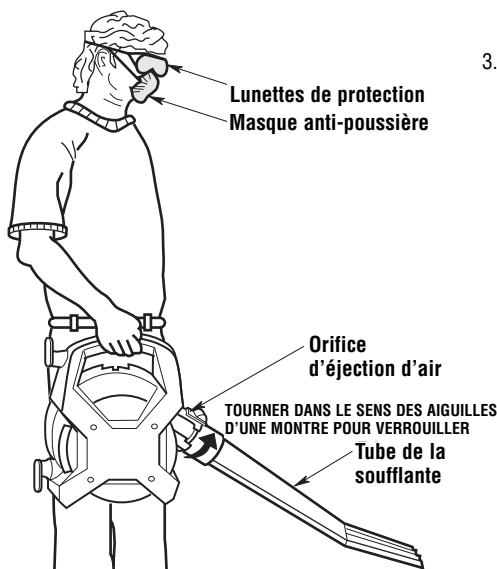


Fonctionnement (suite)

Utilisation de la soufflante amovible pour « souffler »

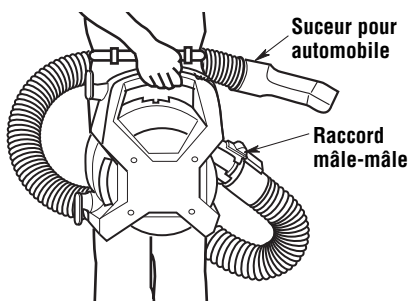
Voici deux méthodes suggérées pour l'utilisation de la soufflante :

1. Insérez le bout arrondi du tube de la soufflante dans l'orifice de soufflerie de la soufflante amovible et tournez dans le sens des aiguilles d'une montre pour verrouiller.



- OU -

2. L'aspirateur de liquides et de poussières peut aussi être utilisé comme un dispositif de soufflerie en utilisant le tuyau de sept pieds qui l'accompagne. Installez le bout du tuyau flexible de l'aspirateur comportant un bouton-poussoir dans l'orifice de soufflerie de la soufflante amovible. Pour assurer plus de contrôle, vous pouvez ajouter un tube de rallonge et/ou un suceur pour automobile au bout opposé du tuyau flexible. L'appareil est prêt à être utilisé pour des applications de soufflerie.



3. Mettez la soufflante en marche en faisant glisser l'interrupteur situé dans la poignée de la soufflante en position « I ».

Maintenance

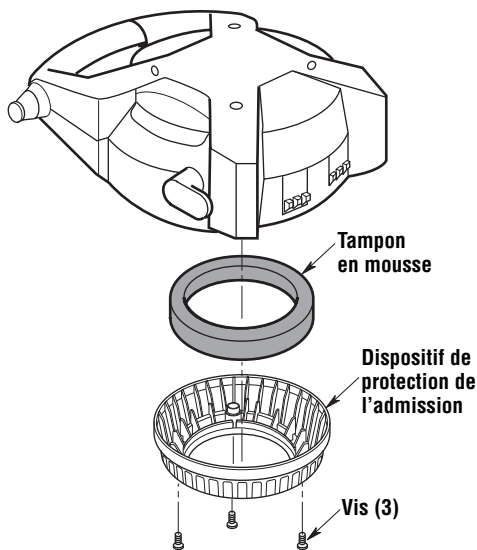
Admission de la soufflante amovible

⚠ AVERTISSEMENT : pour réduire le risque de blessure en raison d'une mise en marche accidentelle, débrancher le cordon électrique avant de remplacer le filtre ou de le nettoyer.

Après avoir utilisé la soufflerie amovible de l'aspirateur de liquides et de poussières, examiner le fond de la soufflerie pour déterminer la présence de poussière et de débris. Inspecter pour s'assurer qu'il n'y a pas de débris attachés aux éventails en plastique ou au tampon en mousse de la soufflerie.

Pour nettoyer le tampon en mousse au-dessous du dispositif de protection de l'admission de la soufflerie amovible :

1. Retirer les trois vis maintenant le dispositif de protection de l'admission en place.
2. Soulever le dispositif de protection de l'admission et le mettre de côté.
3. Soulevez le coussinet en mousse pour le séparer de la soufflante amovible.
4. Retirez le coussinet en mousse et nettoyez-le dans de l'eau chaude savonneuse ou brossez-le pour en détacher les débris. Laissez le tampon en mousse sécher.
5. Examiner le tampon en mousse en vue de sa réutilisation. S'il s'avère nécessaire de le remplacer, consulter la section de ce mode d'emploi qui est consacrée aux pièces de rechange.



6. Remettez le coussinet en mousse à sa place en inversant les étapes de la procédure 1-4.
7. Réinstallez le dispositif de protection de l'admission et les 3 vis.

L'appareil est prêt à être utilisé.

Maintenance (suite)

Filter

REMARQUE : le filtre est fait de papier de qualité élevée conçu pour intercepter les très petites particules de poussière. Le filtre peut être utilisé pour l'aspiration de déchets secs ou de petites quantités de liquide. Manipuler le filtre avec précaution lors de son nettoyage ou de son installation. Les plis du filtre peuvent être froissés pendant l'installation, mais cela n'aura aucune influence sur la performance du filtre.

Nettoyage du filtre

Il faut nettoyer souvent le filtre pour ne pas affecter la performance optimale de l'aspirateur.

Sécher toujours le filtre avant de le ranger ou de ramasser des débris secs.

IMPORTANT : inspecter le filtre après le nettoyage pour s'assurer qu'il n'est pas déchiré ou troué. Ne pas utiliser un filtre déchiré ou troué. Même un trou de très faible taille peut laisser beaucoup de poussière échapper de l'orifice d'échappement de votre aspirateur. Remplacer le filtre immédiatement dans ce cas.

Retrait du filtre

Référez-vous à la section de la page 5, « Retrait et installation du filtre », de ce mode d'emploi.

IMPORTANT : pour éviter d'endommager le moteur et la roue de la soufflerie, toujours réinstaller le filtre avant d'utiliser l'aspirateur pour ramasser des matériaux secs.

Nettoyage d'un filtre sec

1. Le retrait de certains débris secs peut être accompli sans enlever le filtre de l'aspirateur. Donner simplement un coup avec la main sur la partie supérieure du couvercle pendant que l'aspirateur est à l'arrêt.
2. Nettoyer le filtre dans un endroit non clos. Le nettoyage DOIT être effectué à l'extérieur – pas dans des locaux d'habitation.
3. Retirer le filtre de l'aspirateur. Tapoter doucement le filtre contre la paroi intérieure du tambour à poussière. Les débris se détacheront et tomberont.
4. Pour un nettoyage complet du filtre sec quant il contient des poussières fines (et non pas de débris), faites couler de l'eau sur le filtre tel que cela est décrit dans la section intitulée « Nettoyage d'un filtre humide ».

Nettoyage d'un filtre humide

Une fois le filtre retiré, faites couler de l'eau au travers du filtre à l'aide d'un tuyau d'arrosage ou d'un robinet. Veillez à ce que la pression de l'eau sortant du tuyau d'arrosage ne soit pas si forte qu'elle pourrait endommager le filtre.

Installation

Référez-vous à la section de la page 5, « Retrait et installation du filtre », de ce mode d'emploi.

Laisser sécher le filtre avant de le réinstaller et déranger l'aspirateur.

Maintenance (suite)

Nettoyage et désinfection de l'aspirateurde liquides et de poussières

Pour conserver l'esthétique optimale de votre aspirateur de poussières et de liquides, nettoyez la surface extérieure de l'aspirateur à l'aide d'un chiffon imbibé d'eau tiède savonneuse.

Procédure de nettoyage du tambour :

1. Vider les débris.
2. Nettoyez soigneusement le tambour à poussière à l'aide d'un savon doux et d'eau tiède.
3. Essuyer avec un chiffon sec.

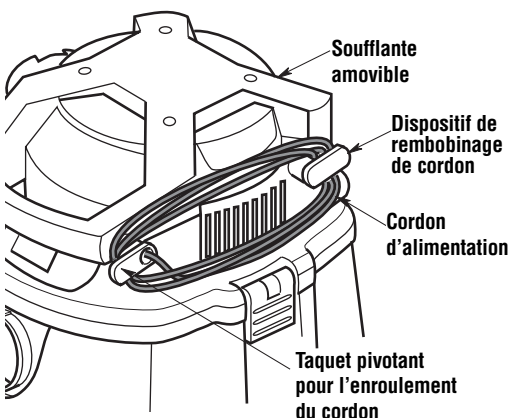
Avant de ranger l'aspirateur pour une période prolongée, ou dans les cas nécessaires (par exemple après l'aspiration d'eaux usées), vous devez désinfecter le tambour.

Pour désinfecter le tambour :

1. Versez un gallon (presque 4 litres) d'eau et une cuillerée à thé de produit à blanchir à l'eau de javel dans le tambour.
2. Laissez la solution agir pendant 20 minutes, en remuant doucement de temps à autre pour vous assurer que toutes les surfaces du tambour restent humides.
3. Videz le tambour au bout de 20 minutes. Rincez à l'eau jusqu'à ce que l'odeur d'eau de javel ait disparu. Laissez sécher le tambour complètement avant de sceller le moteur sur le tambour.

Entretien du cordon d'alimentation

Lorsque vous aurez fini d'utiliser l'aspirateur, débranchez le cordon et enroulez-le autour des taquets situés sur le côté de la soufflante amovible. Si le cordon est endommagé, il doit être remplacé par le fabricant ou son représentant, ou par une autre personne ayant les compétences techniques nécessaires, afin de réduire le risque d'accident.



Rangement

Avant de ranger votre aspirateur, vous devez vider et nettoyer le tambour à poussières. Le cordon et le tuyau flexible doivent être rangés comme cela est décrit dans ce mode d'emploi. Vous devez garder les accessoires au même endroit que l'aspirateur de façon à pouvoir y accéder facilement. Vous devez ranger l'aspirateur à l'intérieur d'un bâtiment.

Roulettes

Si les roulettes sont bruyantes, vous pouvez mettre une goutte d'huile sur l'arbre porte-galet pour atténuer le bruit.

⚠ AVERTISSEMENT : pour assurer la SÉCURITÉ et la FIABILITÉ du produit, les réparations et réglages doivent être effectués par des centres agréés de service après-vente en utilisant toujours des pièces de rechange RIDGID.

Remarques

Pièces de rechange

Aspirateur de liquides et de poussières professionnel de 16 gallons N° de modèle : WD16800/WD1680EX0

Les pièces RIDGID sont disponibles sur notre site Web à l'adresse suivante : www.ridgidparts.com

Pour commander, utiliser toujours le numéro de pièce – pas le numéro de légende

Légende N°	Pièce N°	Description
1	823200A	Flotteur
2	823201-3	Cage du filtre
3	VF4000	† Filtre Qwik Lock™
4	833170	Ensemble de tambour
5	73185	Capuchon de drain
6	830715	Pied de roulette, avant
7	830716	Pied de roulette, arrière
8	73102	Roulette
9	833132	Porte-accessoires
10	826387	Patte de fixation du tambour
11	510128	Couvercle (comprend les n° de légendes 10 et 18)
12	510118	Ensemble de soufflerie (WD1680 seulement)
13	510119	Ensemble de soufflerie (WD1680EX seulement)
14	818961	Écarteur
15	818413	Roue de soufflante
16	315534-1	Rondelle
17	826817	Écrou
18	826388	Verrou de la soufflante amovible
19	VT2509	† Suceur à usages multiples
20	VT2503	† Suceur pour véhicules
21	833169	Tube de la soufflante
22	VT2510	† Suceur humide
23	822256	Raclette
24	VT2508	† Bague de rallonge
25	833177	Taquet pivotant pour le rangement du cordon
26	826356-5	Dispositif de verrouillage de tuyau de 2-1/2 po x 7 pi
27	SP6779	Mode d'emploi

† Ces pièces de rechange sont en vente partout où des aspirateurs de liquides et de poussières sont en vente.


Pièces de rechange (suite)

Aspirateur de liquides et de poussières professionnel de 16 gallons N° de modèle : WD16800/WD1680EX0

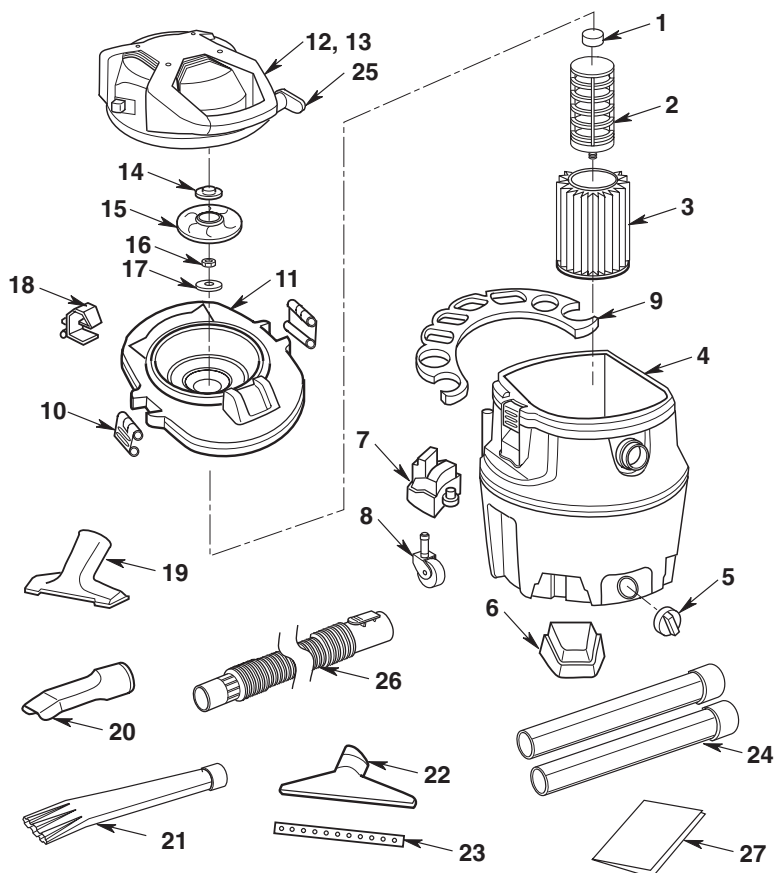
Les pièces RIDGID sont disponibles sur notre site Web à l'adresse suivante : www.ridgidparts.com

AVERTISSEMENT

RÉPARATION DE L'ASPIRATEUR DE LIQUIDES ET DE POUSSIÈRES DOUBLEMENT ISOLÉ

Dans un aspirateur de liquides et de poussières doublement isolé, deux systèmes d'isolation sont fournis au lieu de la mise à la terre. Aucun moyen de mise à la terre n'est prévu sur un appareil électro-ménager doublement isolé, et il ne faut pas en ajouter. La réparation d'un aspirateur de liquides et de poussières doublement isolé nécessite une connaissance approfondie du système et la prise de précautions extrêmes. Une telle réparation ne doit être entreprise que par un technicien agréé. Les pièces de rechange pour un aspirateur de liquides et de poussières doublement isolé doivent être les mêmes que les pièces qu'elles remplacent. Les mots « DOUBLE INSULATED » (Doublement isolé) figurent sur l'aspirateur de liquides et de poussières doublement isolé, et le symbole  (un carré à l'intérieur d'un autre carré) peut également figurer sur les appareils.

Pour réduire le risque de blessures causées par les chocs électriques, débranchez le cordon d'alimentation avant de réparer les éléments électriques de l'aspirateur de liquides et de poussières.





- **Ce qui est couvert par la garantie**

Les aspirateurs de liquides et de poussières RIDGID® sont garantis sans défauts de matériau ou de façon.

- **Durée de la garantie**

Cette garantie est valable pendant toute la durée de vie de l'aspirateur de liquides et de poussières RIDGID®.

- **Le service après-vente**

Pour tirer parti de cette garantie, le produit complet doit être renvoyé en port payé à RIDGE TOOL COMPANY, Elyria, Ohio ou bien à un quelconque CENTRE DE SERVICE APRÈS-VENTE RIDGID® AGRÉÉ. Les clés à tube et autres outils à main devront être renvoyés au point de vente où ils ont été achetés.

- **Les mesures de rectification des problèmes**

Les aspirateurs de liquides et de poussières sous garantie seront réparés ou remplacés, au choix de Ridge Tool Company, et ils vous seront renvoyés gratuitement; ou, si au bout de trois tentatives de réparation ou de remplacement pendant la période de garantie, l'aspirateur de liquides et de poussières est toujours défectueux, vous pourrez demander à obtenir un remboursement intégral de votre prix d'achat.

- **Ce qui n'est pas couvert par la garantie**

Les défaillances causées par une utilisation abusive ou non conforme aux instructions, ou par l'usure ordinaire, ne sont pas couvertes par cette garantie. **RIDGE TOOL COMPANY N'EST RESPONSABLE D'AUCUN DOMMAGE SECONDAIRE OU INDIRECT.**

- **Effet des lois locales sur cette garantie**

Au Canada, certaines provinces ne permettent peut-être pas l'exclusion ou la limitation des dommages secondaires ou indirects; par conséquent, il est possible que l'exclusion ou la limitation susmentionnée ne s'applique pas à vous. Cette garantie vous confère des droits contractuels spécifiques, et vous disposez peut-être d'autres droits qui peuvent varier d'une province à l'autre.

- **Aucune autre garantie expresse ne s'applique**

La présente GARANTIE À VIE COMPLÈTE est la garantie unique et exclusive concernant les produits RIDGID®. Aucun salarié, agent, distributeur ou autre n'est autorisé à modifier cette garantie ou à offrir une quelconque autre garantie de la part de Ridge Tool Company.

N° de catalogue **WD1680/WD1680EX**

N° de modèle **WD16800/WD1680EX0**

Número de série _____

Les numéros de modèle et de série sont indiqués à l'arrière de l'ensemble de bloc-moteur. Il est recommandé d'inscrire ces deux numéros en lieu sûr pour future référence.

EN CAS DE QUESTIONS OU POUR OBTENIR DES INFORMATIONS,

VEUILLEZ NOUS CONTACTER AU :

1-800-4-RIDGID (1-800-474-3443) depuis les États-Unis et le Canada

01-800-701-9811 depuis le Mexique

www.ridgidvac.com

Prière d'avoir votre numéro de modèle ainsi que votre numéro de série à portée de la main avant de nous appeler.



EMERSON
Professional Tools

Emerson Tool Company
Une division de
Emerson Electric Co.