

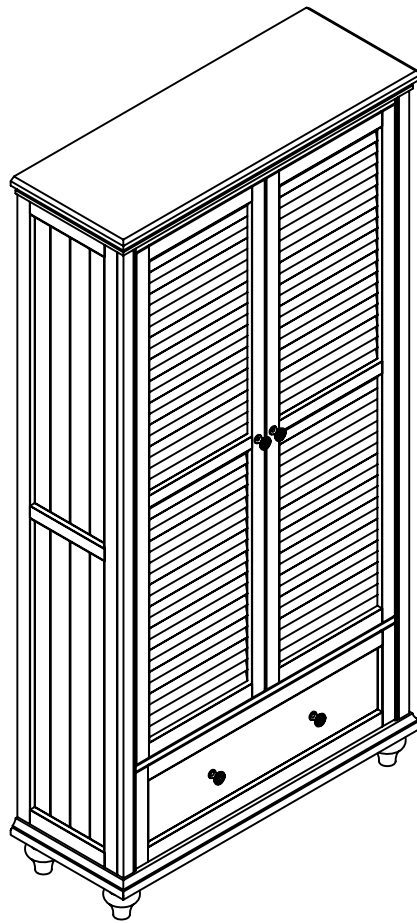
HOME DECORATORS COLLECTION

1002949505 1002949504
1002949507 1002949506

SK19028R2 HAMILTON 2 DOOR BOOKCASE 72"Hx36"Wx13.5"D

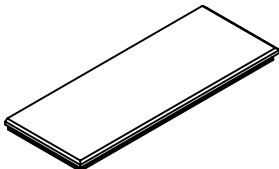
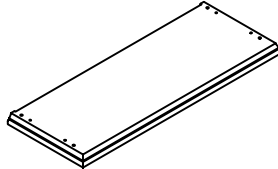
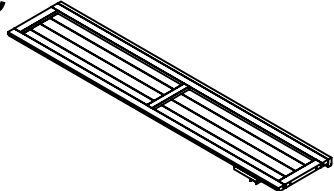
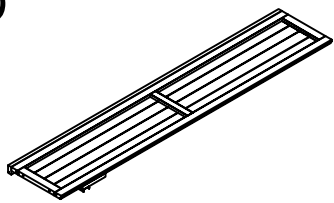
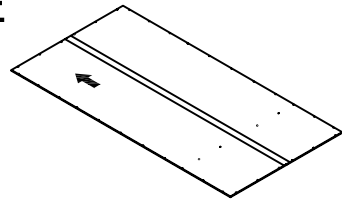
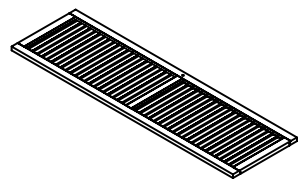
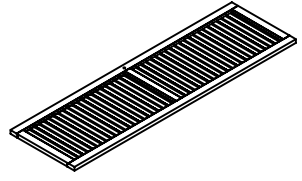
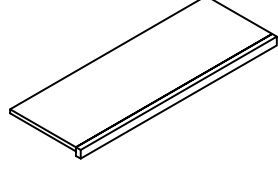
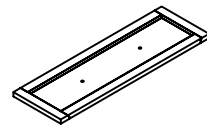
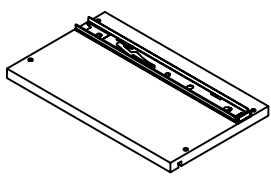
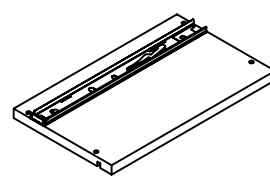
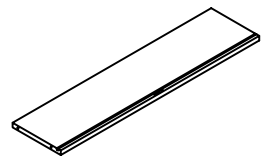
ASSEMBLY INSTRUCTIONS

Made In China

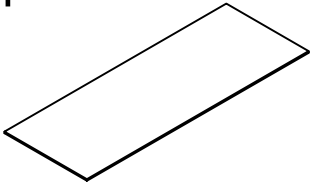


Thank you for purchasing this quality product. Be sure to check all packing material carefully for small parts, which may have come loose inside the carton during shipment. Count all parts and material hardware, then compare with parts list to be sure all parts are present. If any parts are missing or damaged, phone, fax, or mail to our Customer Service Department for efficient and speedy service. Please indicate the model number and code letter of part(s) needed.

IMPORTANT NOTE: Follow instructions listed below in proper sequence as numbered to assure fast, easy and correct assembly.

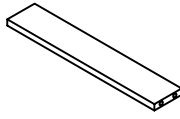
PARTS LIST		
A 	B 	C 
TOP PANEL-1PC	BOTTOM PANEL-1PC	LEFT SIDE PANEL-1PC
D 	E 	F 
RIGHT SIDE PANEL-1PC	BACK PANEL-1PC	LEFT DOOR-1PC
G 	H 	I 
RIGHT DOOR-1PC	ADJUSTABLE SHELF-3PCS	DRAWER FRONT PANEL-1PC
J 	K 	L 
DRAWER LEFT SIDE PANEL-1PC	DRAWER RIGHT SIDE PANEL-1PC	DRAWER BACK PANEL-1PC

M



DRAWER BOTTOM
PANEL-1PC

N



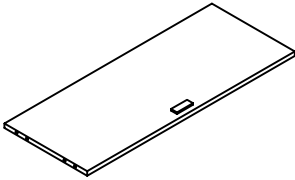
DRAWER SUPPORT
PANEL-1PC

O



BALL FOOT-4PCS

P



FIXED PANEL-1PC

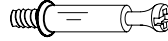
NOTE:THE SURFACE WITH THE STICKER IS THE BACK SIDE

a



WOOD DOWEL-15PCS

b



CAM
LOCK BOLT-13PCS

c



CAM LOCK-13PCS

d



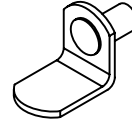
PLASTIC COVER-4PCS

e



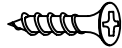
5/8"L ROUND HEAD
SCREW-38PCS

f



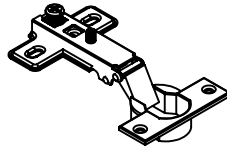
SHELF PIN-12PCS

g



5/8"L FLAT
HEAD SCREW-24PCS

h



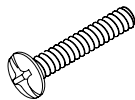
HINGE-6PCS

i



KNOB-4PCS

j





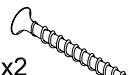


KNOB BOLT-4PCS

k

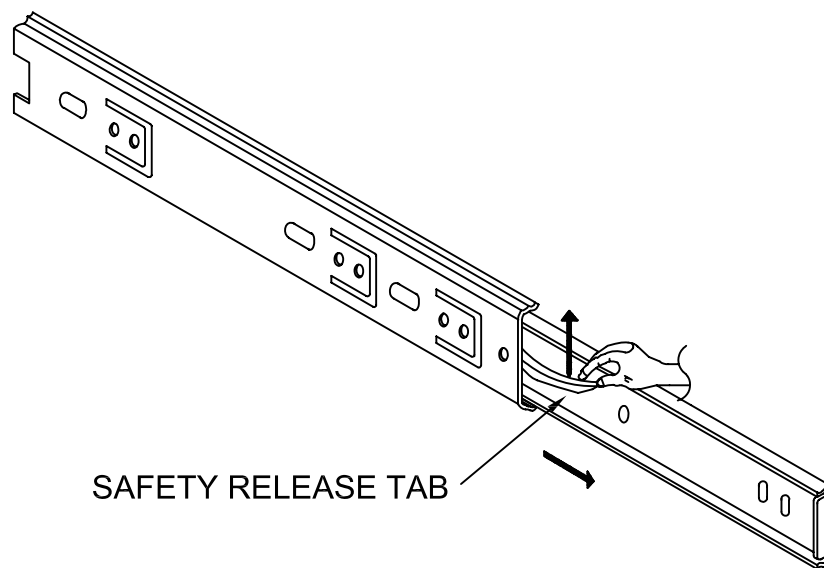


1"L FLAT
HEAD SCREW-9PCS

1 	2 	3 	4 	5 
x4 RECTANGLE METAL PLATE	x2 1/2"L FLAT HEAD SCREW	x2 PLASTIC ANCHOR	x2 PLASTIC BAND	x2 1-1/2"L FLAT HEAD SCREW

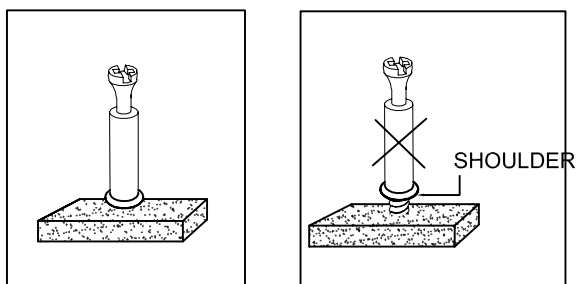
NOTE:THE SURFACE WITH THE STICKER IS THE BACK SIDE

HOW TO SEPARATE GLIDES



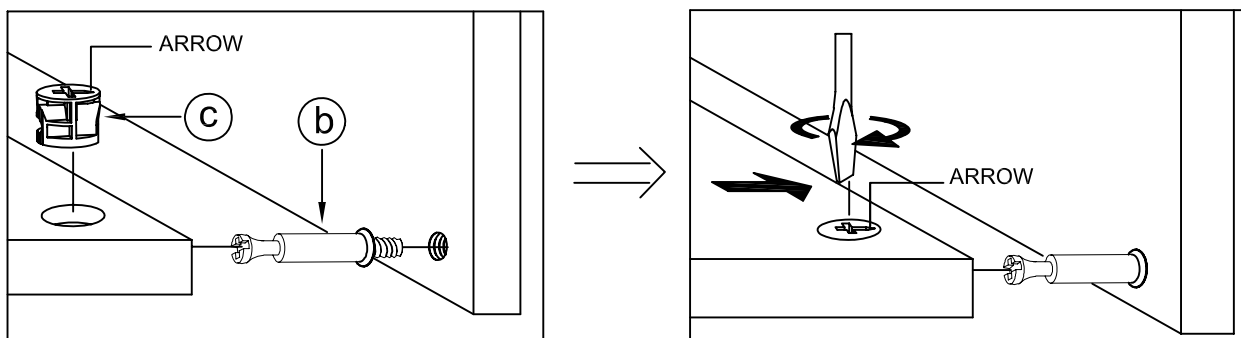
PRIOR TO ASSEMBLY, WE SUGGEST SEPARATING THE INNER GLIDES FROM THE OUTER-GLIDES, SIMPLY PULL THE LEFT/RIGHT INNER GLIDES FROM THE OUTER GLIDES EXPOSING A SMALL BLACK SAFETY RELEASE TAB, BY PUSHING THE SAFETY RELEASE TAB. YOU WILL BE ABLE TO SEPARATE THE GLIDES.

NOTE: • UPON OPENING, THOROUGHLY CLEAN ALL WOOD SURFACES TO REMOVE DUST AND DIRT THAT MAY HAVE SETTLED ONTO THE FINISH DURING SHIPMENT. IN ORDER TO PREVENT DAMAGE DURING ASSEMBLY. PLEASE ASSEMBLE THIS ITEM WITH AT LEAST TWO PEOPLE.



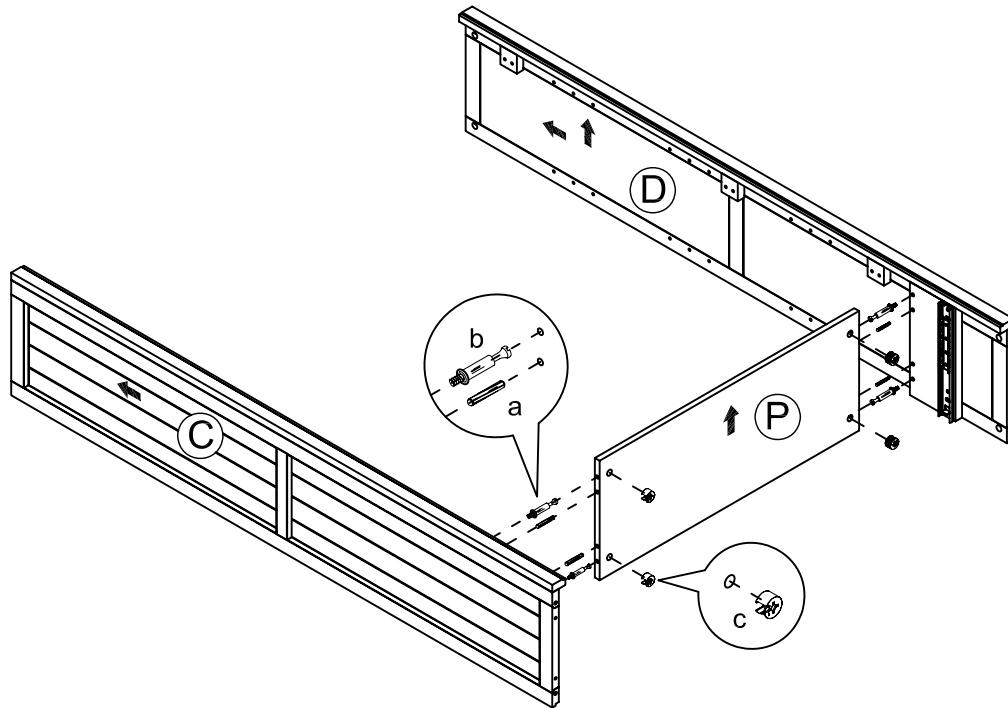
NOTE: TURN THE CAM-BOLT SCREWS UNTIL THEY ARE TIGHT, THE SHOULDER SHOULD BE AGAINST THE SURFACE OF THE PART.

HOW TO USE THE CAM-TOOL



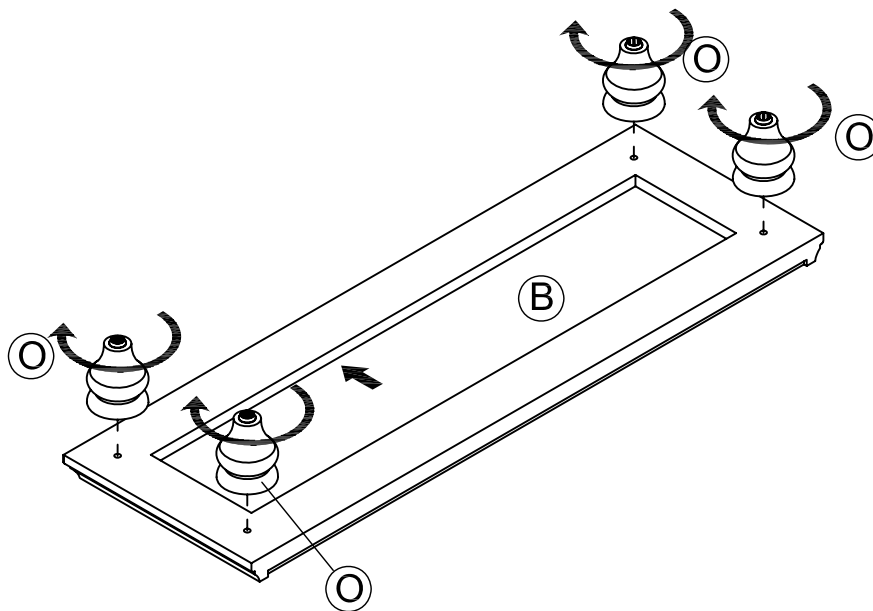
NOTE: • THE ARROWS ON THE HIDDEN CAM-LOCKS SHOULD POINT TO THE CAM-BOLTS.

FIG 1



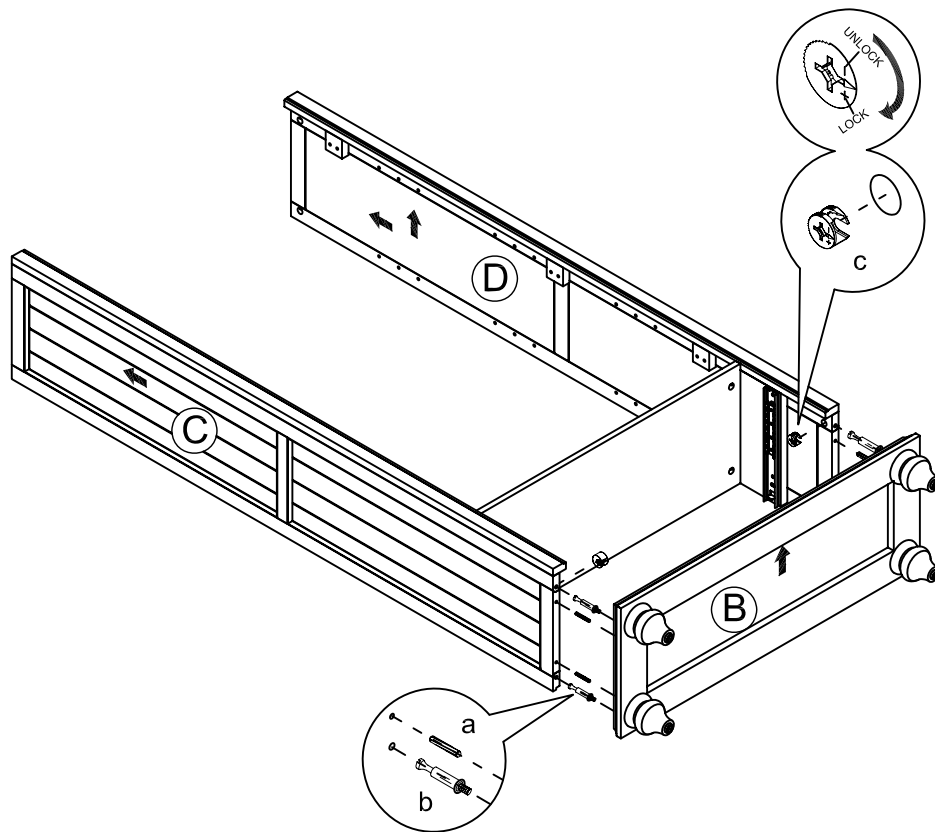
- INSTALL THE WOOD DOWEL (a) AND THE CAM LOCK BOLT (b) INTO THE FIXED PANEL (P).
- JOIN THE LEFT SIDE PANEL (C) AND THE RIGHT SIDE PANEL (D) TO THE FIXED PANEL (P) BY USING WOOD DOWEL (a) FIRST.
- TIGHTEN THE CAM LOCK BOLT (b) BY USING THE CAM LOCK (c) IN PRE-DRILLED HOLES.

FIG 2



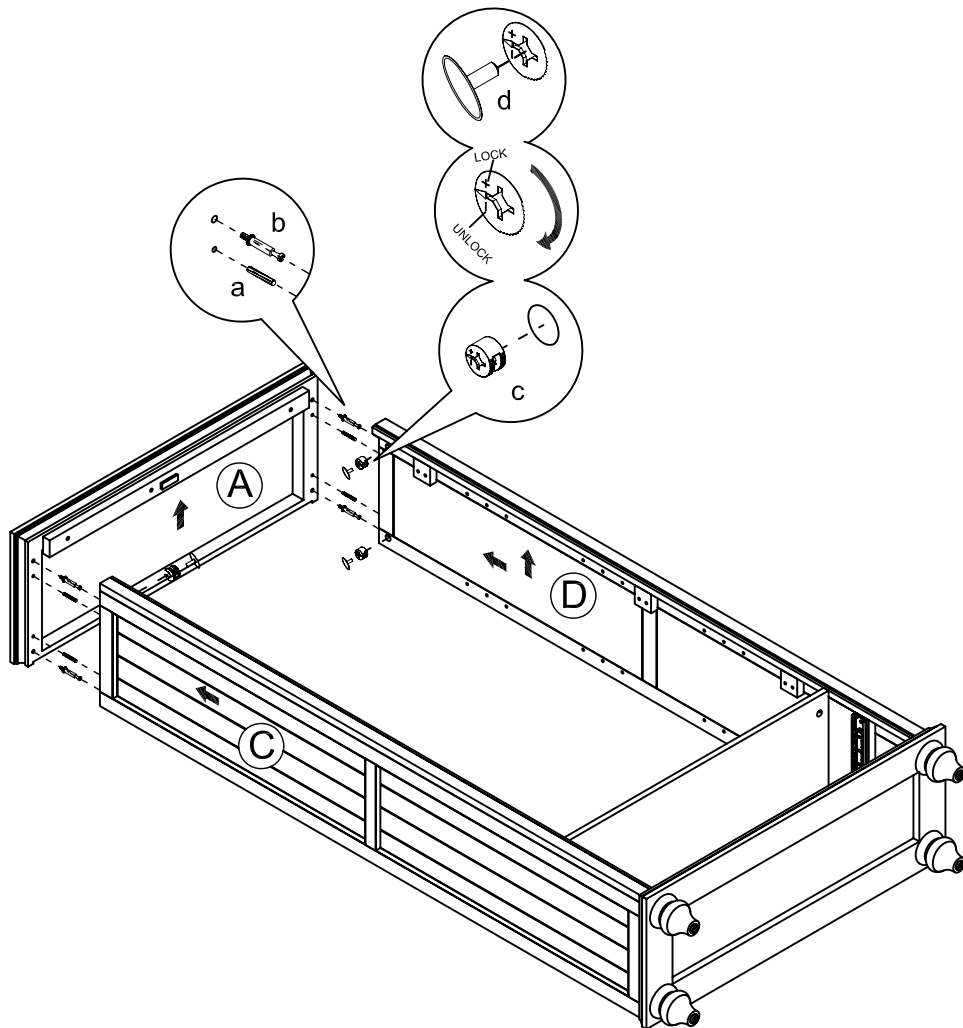
- TIGHTEN THE BALL FOOT (O) TO THE BOTTOM PANEL (B) AS SHOWN .

FIG 3



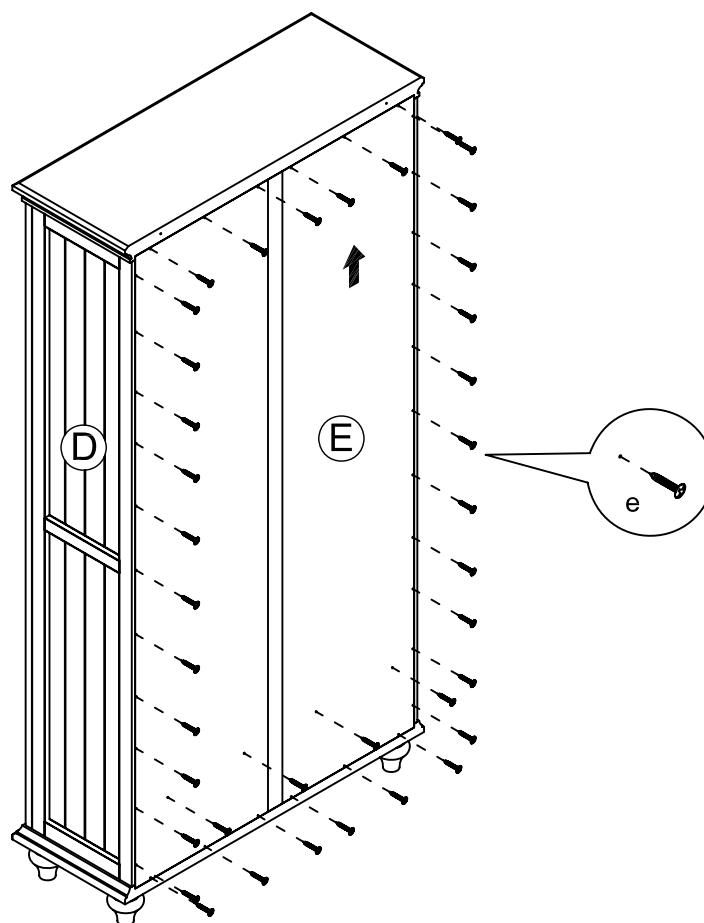
- INSTALL THE WOOD DOWEL (a) AND THE CAM LOCK BOLT (b) INTO THE BOTTOM PANEL (B).
- JOIN THE BOTTOM PANEL (B) TO THE ASSEMBLED PART BY USING WOOD DOWEL (a) FIRST.
- TIGHTEN THE CAM LOCK BOLT (b) BY USING THE CAM LOCK (c) IN PRE-DRILLED HOLES.

FIG 4



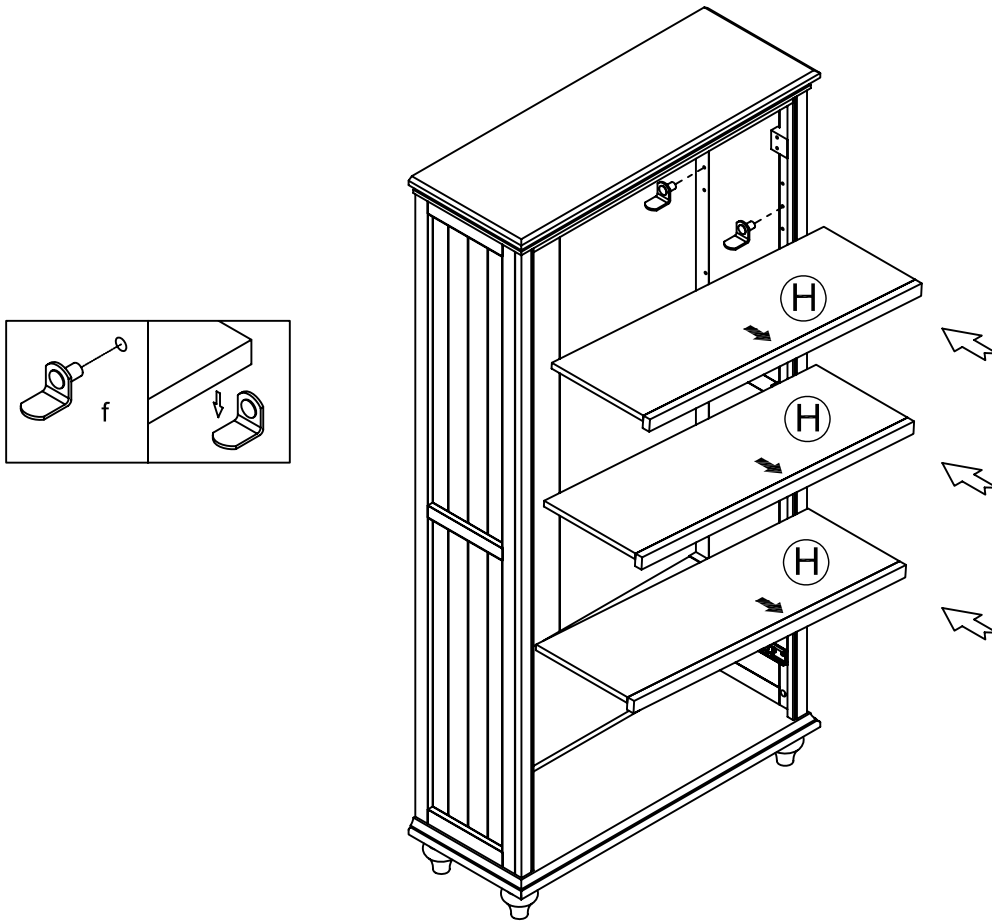
- INSTALL THE WOOD DOWEL (a) AND THE CAM LOCK BOLT (b) INTO THE TOP PANEL (A).
- JOIN THE TOP PANEL (A) TO THE ASSEMBLED PART BY USING WOOD DOWEL (a) FIRST.
- TIGHTEN THE CAM LOCK BOLT (b) BY USING THE CAM LOCK (c) IN PRE-DRILLED HOLES.
- COVER THE CAM HOLES WITH PLASTIC COVER (d).

FIG 5



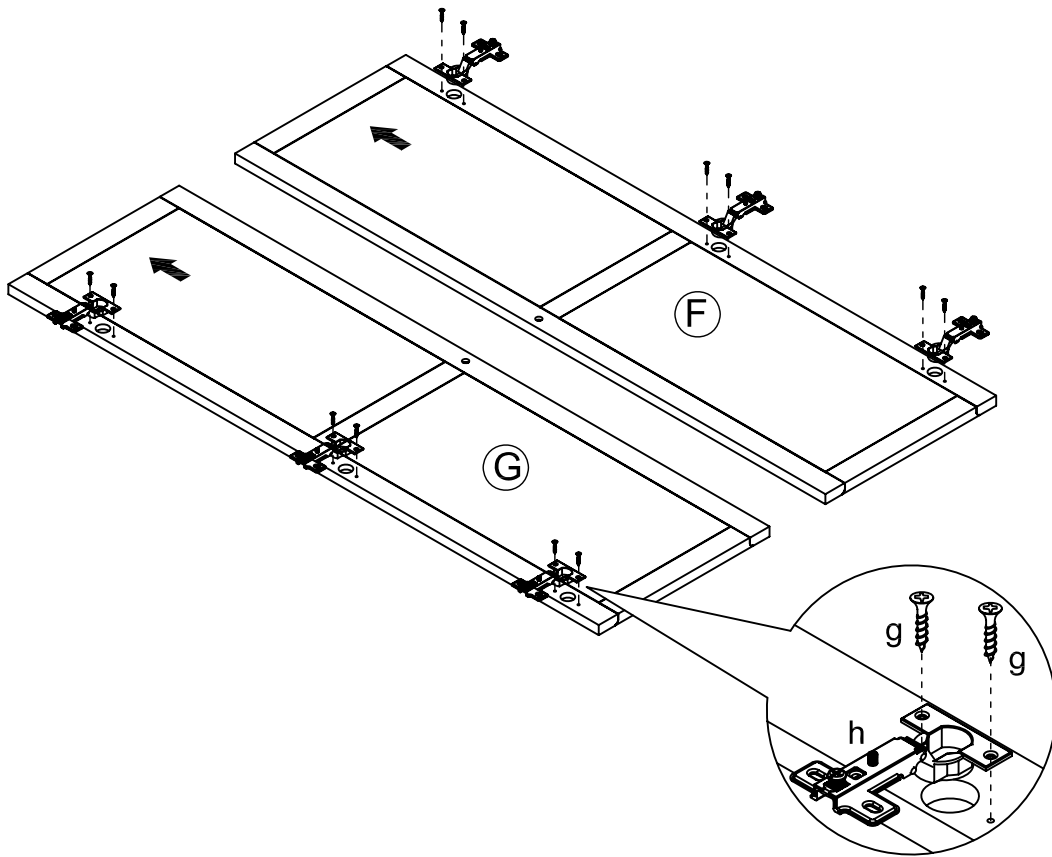
- TIGHTEN THE BACK PANEL (E) BY USING THE 5/8" L ROND HEAD SCREW (e) AS SHOWN.

FIG 6



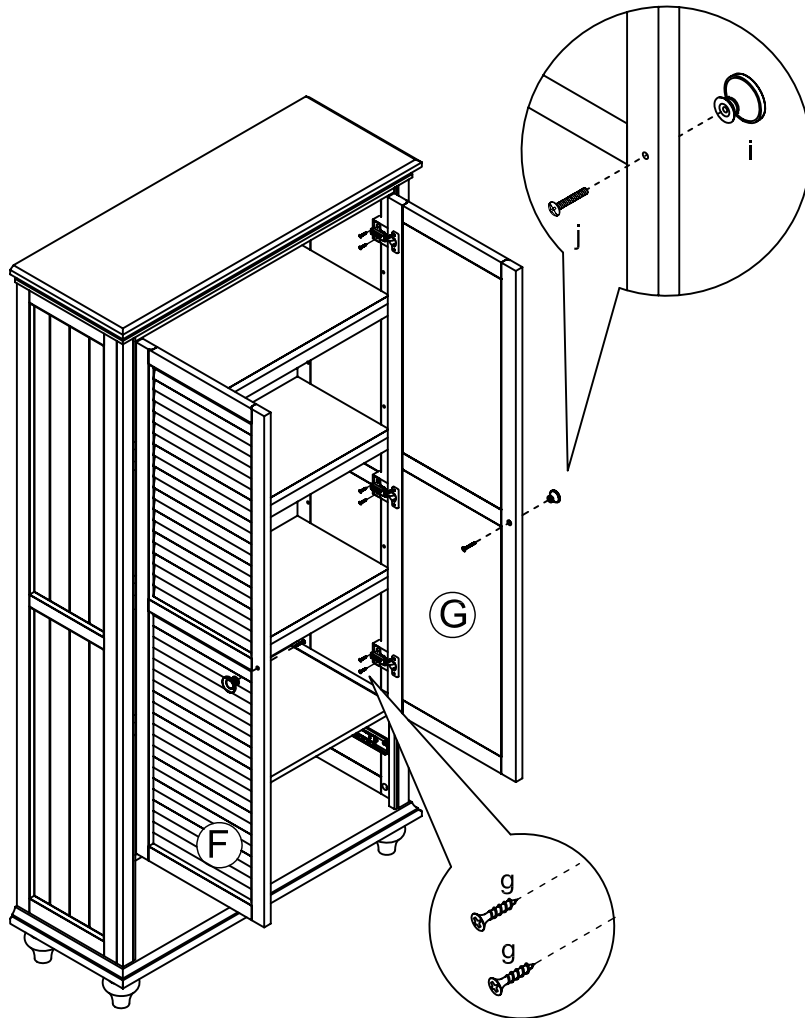
- INSERT THE SHELF PIN (f) IN THE DESIRED POSITION AND THEN PLACE THE ADJUSTABLE SHELF (H) ON THE PINS.

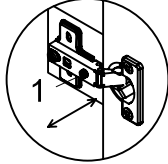
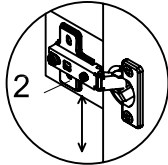
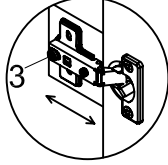
FIG 7



- ATTACH THE HINGE (h) TO THE LEFT SIDE DOOR (F) AND THE RIGHT DOOR (G) BY USING THE 5/8" FLAT HEAD SCREW (g).

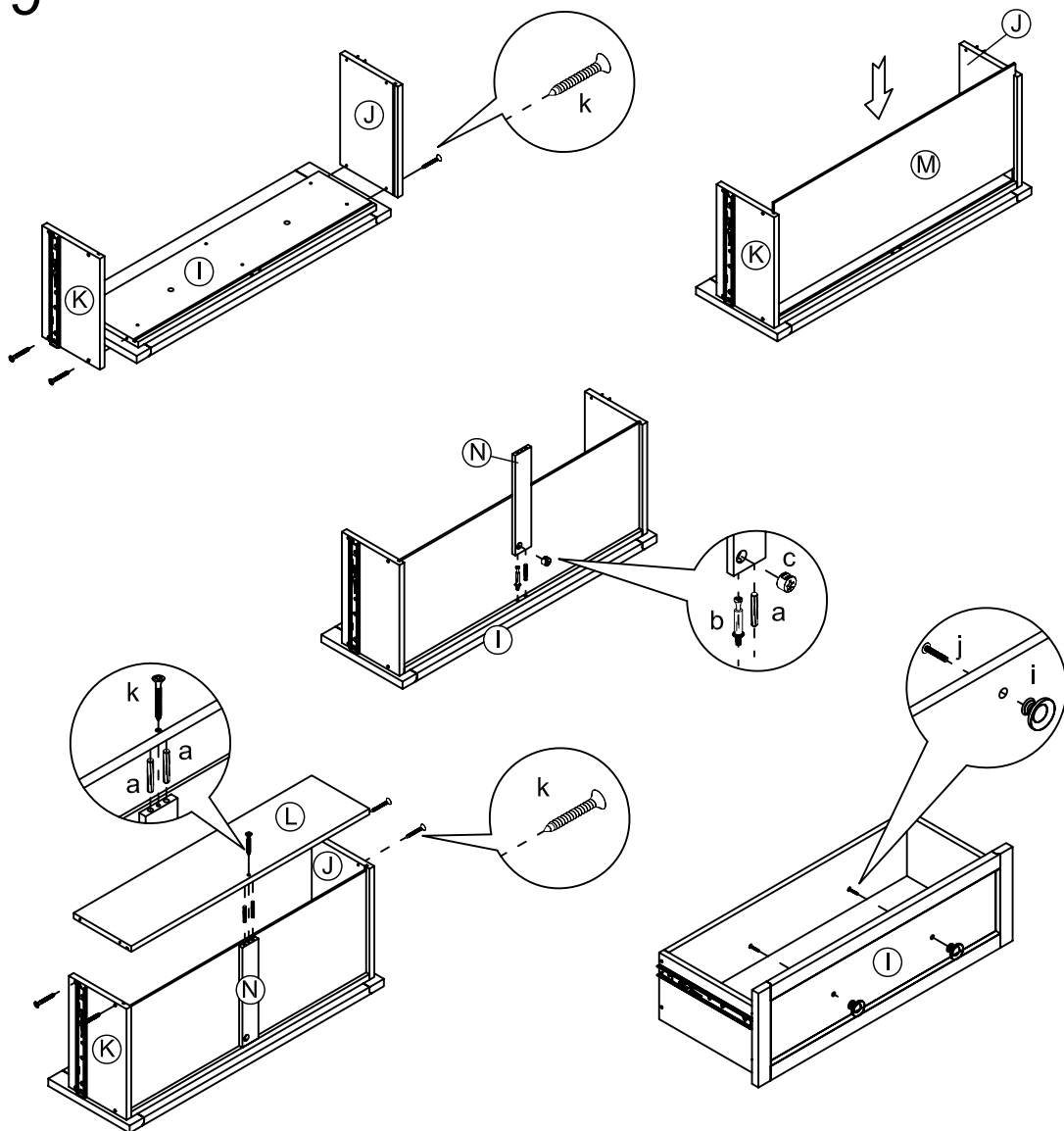
FIG 8



DOOR FITTING	
	To adjust in width
	To adjust in height
	To adjust in depth

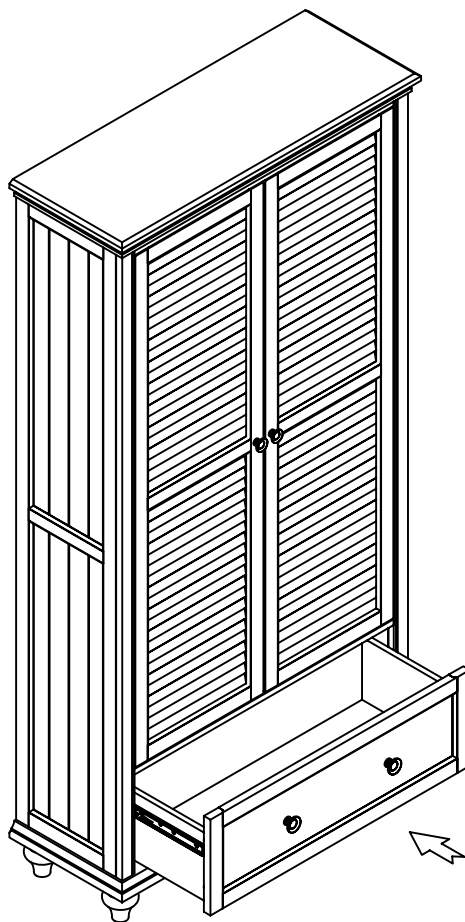
- ATTACH THE LEFT SIDE DOOR (F) AND THE RIGHT DOOR (G) TO THE ASSEMBLED PART BY USING THE 5/8" FLAT HEAD SCREW (g) AS SHOWN.
- TIGHTEN THE KNOB (i) TO THE LEFT SIDE DOOR (F) AND THE RIGHT DOOR (G) BY USING THE KNOB BOLT (j).

FIG 9



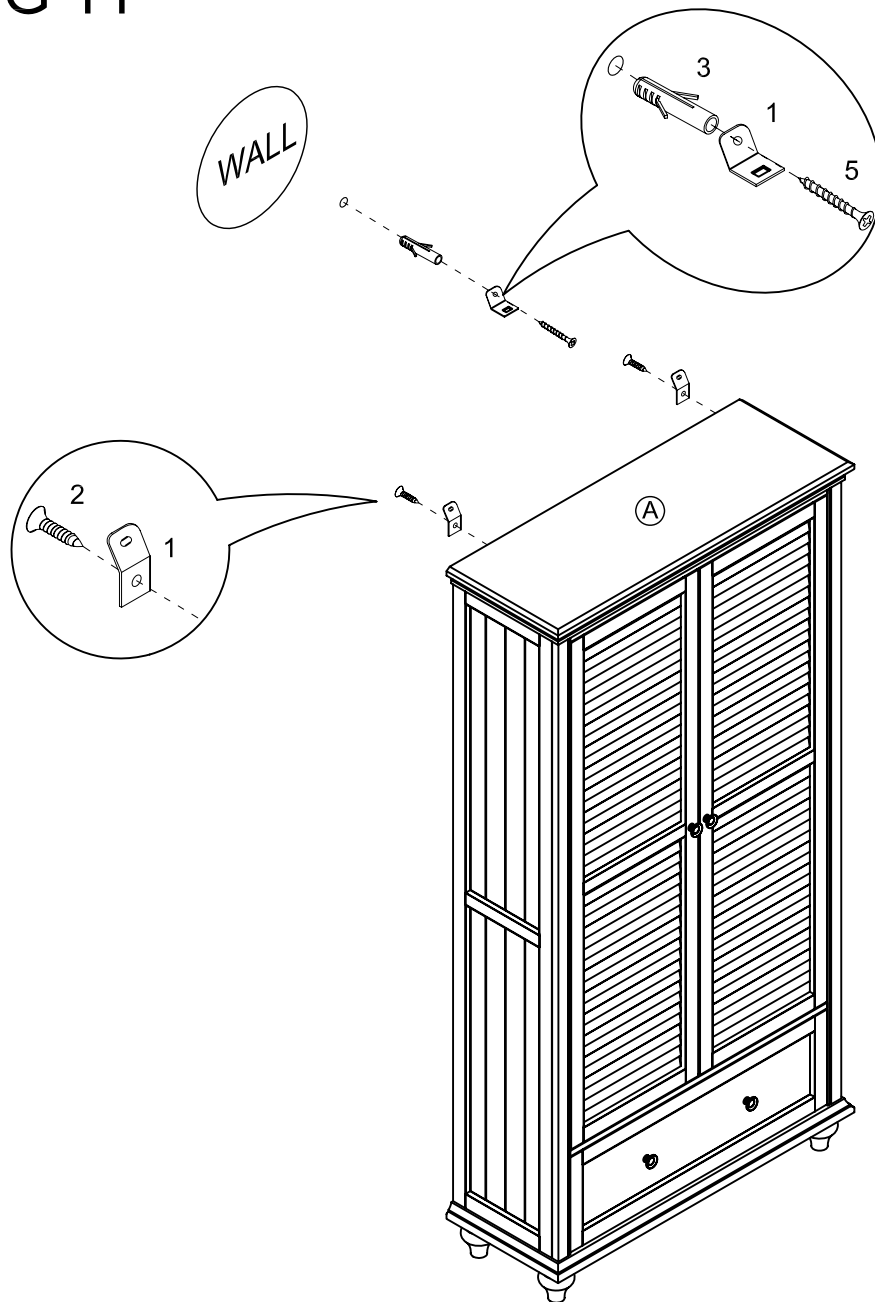
- TIGHTEN THE DRAWER LEFT SIDE PANEL (J) AND THE DRAWER RIGHT SIDE PANEL (K) TO DRAWER FRONT PANEL (I) BY USING THE 1" L FLAT HEAD SCREW (k).
- SLIDE THE DRAWER BOTTOM PANEL (M) INTO THE GROOVES ON THE DRAWER LEFT SIDE PANEL (J) AND THE DRAWER RIGHT SIDE PANEL (K).
- INSTALL THE WOOD DOWEL (a) AND THE CAM LOCK BOLT (b) INTO THE DRAWER FRONT PANEL (I).
- JOIN THE DRAWER BOTTOM SUPPORT (N) TO THE DRAWER FRONT PANEL (I) BY USING WOOD DOWEL (a) FIRST.
- TIGHTEN CAM LOCK BOLT (b) WITH THE CAM LOCK (c) IN THE PRE-DRILLED HOLES.
- TIGHTEN THE DRAWER BACK PANEL (L) TO THE ASSEMBLED PART BY USING THE 1" L FLAT HEAD SCREW (k) AND THE WOOD DOWEL (a) AS SHOWN.
- TIGHTEN THE KNOB (i) TO THE DRAWER FRONT PANEL (I) BY USING THE KNOB BOLT (j).

FIG 10



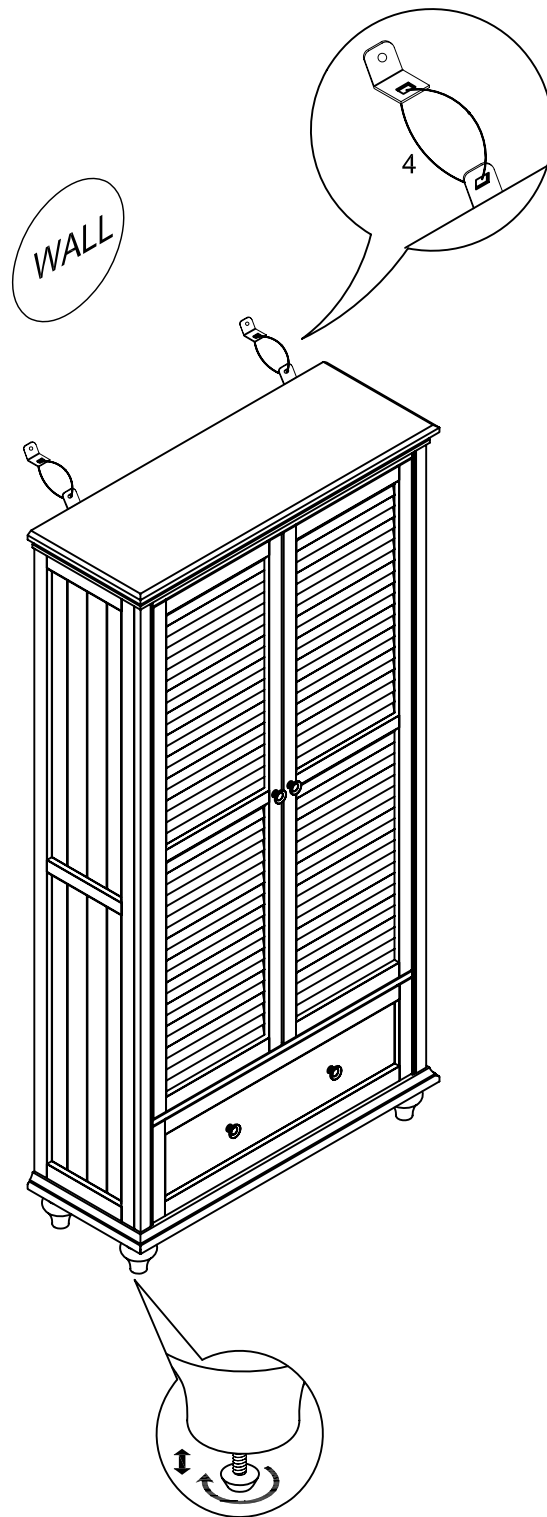
- INSERT THE ASSEMBLED DRAWER INTO THE ASSEMBLED PART AS SHOWN.

FIG 11



- TIGHTEN THE RECTANGLE METAL PLATE (1) TO THE REAR OF THE TOP PANEL (A) BY USING 1/2" FLAT HEAD SCREW (2).
- PLACE THE ASSEMBLED HAMILTON 2 DOOR BOOKCASE AT THE DESIRED POSITION. MARK THE INSERTION POINTS FOR THE PLASTIC ANCHOR (3).
- USING THE PROPER HARDWARE FOR YOUR WALL TYPE, DRILL 1/4" HOLES INTO THE WALL.
- TIGHTEN THE RECTANGLE METAL PLATE (1) TO THE PLASTIC ANCHOR (3) BY USING THE 1-1/2" FLAT HEAD SCREW (5).

FIG 12



- USING THE PLASTIC BAND (4) CONNECT TWO RECTANGLE METAL PLATES (1).