

iSpring Reverse Osmosis Water Filtration Systems

INSTALLATION INSTRUCTIONS & OWNER'S MANUAL Ver 11/2016



 **Filter.com**

iSpring Water Systems, LLC (since 2005)

Copyright ©2005-2017 ISPRING WATER SYSTEMS, LLC. All rights reserved.

Thank you for choosing iSpring Reverse Osmosis Water Filtration Systems!

Built from quality components and delivering exceptional performance, this system has earned the **WQA GOLD SEAL** certification against NSF/ANSI STANDARD 58 for performance and material safety. Please review the attached **iSpring RO Systems WQA Gold Seal Certification** for details.



Please keep this owner's manual for future reference.

It includes the necessary information on how to properly install, operate, and maintain your iSpring Reverse Osmosis water filtration system.

Table of Contents

System Installation

| | |
|---|----|
| Prior to Installation | 3 |
| Component Identification | 4 |
| Understanding the Process..... | 5 |
| Installation Tips | 6 |
| Installation Steps..... | 8 |
| Step 1: Installing the Feed Water Adapter | 9 |
| Step 2: Installing the RO Faucet..... | 9 |
| Step 3: Installing the Drain Saddle | 9 |
| Step 4: Installing the Vertical Filters: Stages 1, 2, and 3 | 10 |
| Step 5: Installing the Tank Shut-Off Valve | 10 |
| Step 6: Installing the Reverse Osmosis Membrane..... | 10 |
| Step 7: Tubing Hook Up..... | 11 |
| Step 8: System Start Up..... | 13 |

Owner's Manual

| | |
|--|----|
| Section 1: iSpring RO System Maintenance | 15 |
| Section 2: Knowledge Base and FAQ..... | 18 |
| Section 3: Troubleshooting Guide for Newly Installed Systems | 21 |
| Section 4: Glossary and Terms to Know | 23 |

Warranty

| | |
|----------------------------|----|
| Warranty Registration..... | 26 |
|----------------------------|----|

System Installation

Prior to Installation

Inspect the package

Open the box and remove all of the components. Inspect them to ensure nothing was damaged during shipping. If any part is cracked or broken, please immediately contact iSpring Customer Support for replacement. Identify and get familiar with the components. Note, the RO membrane is a “wet” type, and it is vacuum sealed with pure water.

Recommended tools list

- Variable speed drill with two bits: ¼” (for drilling a hole on PVC drain pipe), ½” hollow diamond (for drilling a hole on countertop for drinking faucet)
- 5/8”, 9/16” open-end wrench, or adjustable wrench, pliers
- Phillips head screwdriver
- Scissors or utility knife

Operating conditions

- Minimum recommended water pressure: 30 PSI
- Maximum water pressure: 70 PSI, otherwise a pressure regulator (part no. APR70) is required to lower the PSI to the maximum level.
- Operating water temperature range: 40 – 100 °F (4 - 37 °C) (This RO system is NOT designed for HOT water). Within the operating range, the RO process will be faster and more efficient with the water temp on the warmer side, and less so on the colder side.
- Maximum TDS: 750 ppm
- Install this RO system in a location where it is safe from hot/cold weather and direct sunlight. Avoid hitting, dropping, or dragging the system as this can cause cracks and leaks.

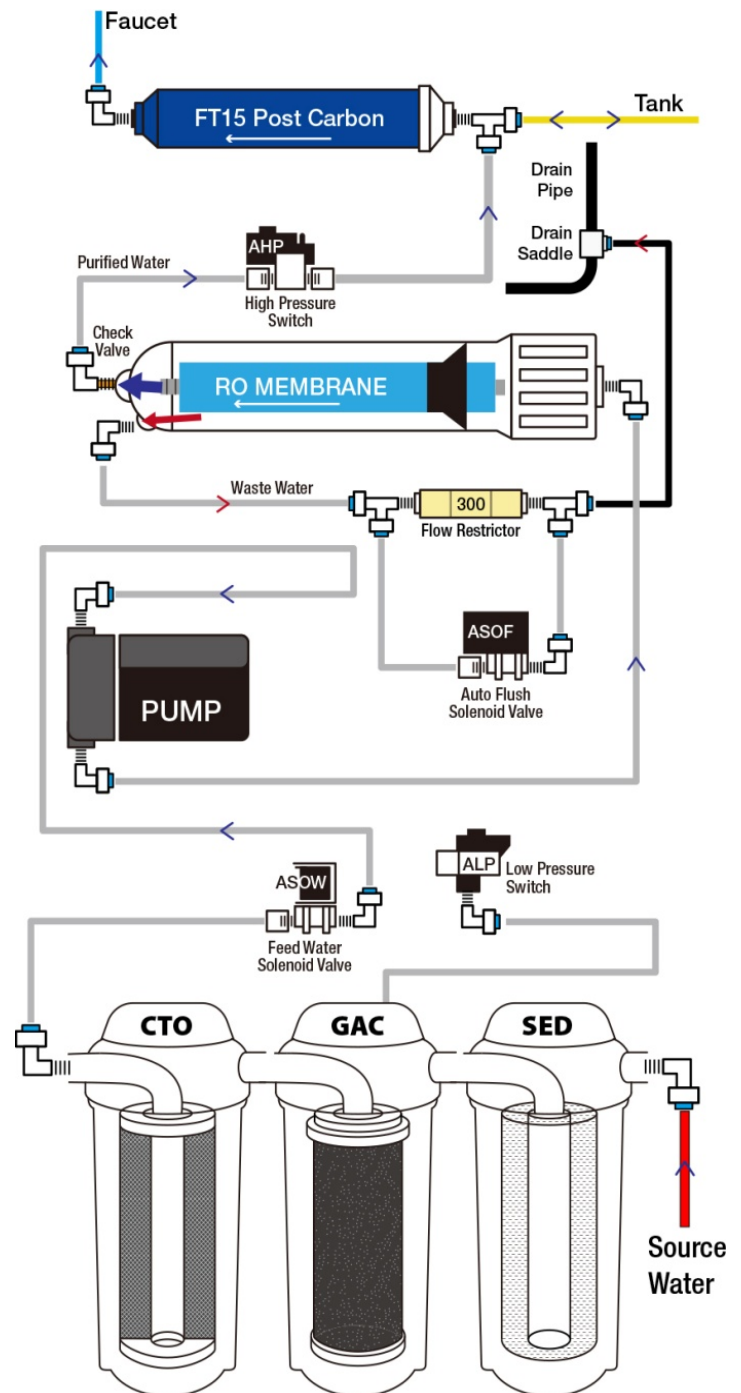
Component Identification

| | | |
|---|---|---|
|  |  |  |
| <p>RO Machine Head w/ Pump * (membrane not yet installed)</p> | <p>'Wet' RO Membrane (Vacuum sealed in moisture)</p> | <p>3 Pre-Filter Housings and Cartridges</p> |
|  |  |  |
| <p>Storage Tank</p> | <p>RO faucet with installation kit</p> | <p>Feed Water Adapter (AFW43)</p> |
|  |  |  |
| <p>4-Color Tubing Set</p> | <p>Drain Saddle 1/4</p> | <p>Tank Valve</p> |
|  |  |  |
| <p>Housing Wrenches</p> | <p>Teflon Tape</p> | <p>Spare O-Rings and Fittings (Package quantity may vary)</p> |

* If your system is a 6-stage or 7-stage system with an Alkaline, DI, and / or UV filter, the 6th and 7th stages are already pre-installed on the machine head. The UV filter is the final stage for all RO UV systems.

Understanding the Booster Pump and RO Process

- 1) Source water enters the system and passes through the stage 1, 2, and 3 pre-filters. Located between the pre-filters is the **Low Pressure Switch**. This switch turns on when the incoming water pressure is 7 PSI or greater.
- 2) The **High Pressure Switch** turns on when the pressure from the pressurized tank is below 20 PSI, and turns off at 35 PSI (e.g. when tank is full).
- 3) When the Low Pressure Switch and High Pressure Switch are both on, the **Feed Water Solenoid Valve** opens, allowing water to the **Booster Pump**.
- 4) The source water passes through the **Booster Pump**, bringing it up to approximately 80 PSI entering the membrane housing.
- 5) Coming out of the RO membrane is a pure water port and waste water port. The RO water is forced through the .0001 micron sized holes of the RO membrane, and exits through the one way **Check Valve** on the membrane's pure water exit port. The water rejected by the RO membrane exits through the waste water exit port. On the drain line before the waste water is disposed is the **Flow Restrictor**, limiting the amount of drain water allowed out to keep pressure in the system.
- 6) The pure water is then routed to the pressurized storage tank. As the storage tank fills, the tank pressure rises. When the pressurized storage tank reaches 35 PSI, the tank pressure triggers the High Pressure Switch off, shutting the booster pump and system off.
- 7) When you open the RO faucet, the water exits the tank, passes through the FT15 post carbon filter, and is dispensed from the RO faucet. As the RO water is dispensed, the tank pressure will gradually drop back down, triggering the High Pressure Switch back on to refill the water removed from the tank.



Installation Tips

How to use the Quick-Connect fittings



Figure 1

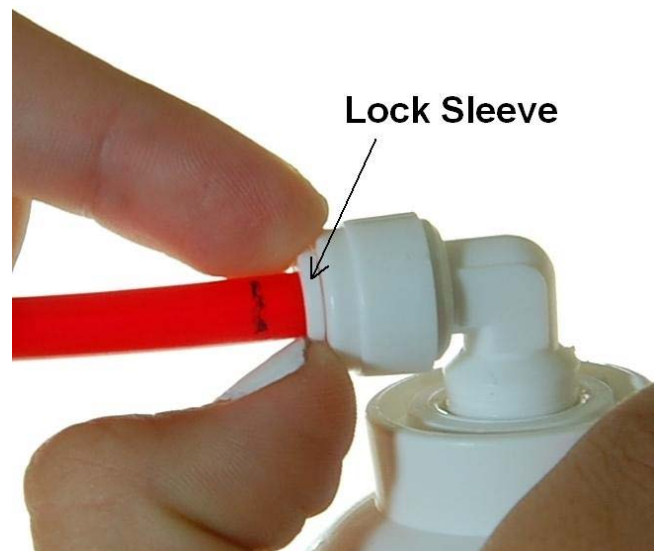
To connect:

1. See Figure 1. Check and cut the tubing end squarely and cleanly with utility knife or scissors.
2. Make a $\frac{5}{8}$ " mark at the end of the tube so you will be able to confirm when the tube is inserted fully into the fitting.
3. Remove the blue lock clip from the fitting with your nail. If the lock sleeve pops out of the fitting when doing this, simply pop it back in.
4. Insert the tube into the fitting until you reach the $\frac{5}{8}$ " mark on the tube. You will feel resistance when the tube reaches the small rubber O ring inside the fitting. You will need to wiggle the tube and apply additional pressure to get it past this O ring and create the seal. **If the tube is not $\frac{5}{8}$ " into the fitting and past the O ring, no seal will be created and leaking will occur.**
5. Once the tube is fully inserted into the fitting, pop the blue lock clip back on the fitting. This will lock the tube in place and prevent it from moving.



- To Connect: Push tubing into Lock Sleeve and reach bottom about 1/2 inch deep
- To Disconnect: Remove Lock Clip, while **PRESSING Lock Sleeve DOWN** to eliminate Gap, pull out tubing

Figure 2



**With two fingers
PUSHING IN and PRESSING DOWN
Lock Sleeve, pull out tubing**

Figure 3

To disconnect:

1. See Figures 2 and 3. Remove the blue lock clip from the fitting.
2. With the blue lock clip removed, use your thumb and index finger to hold down the lock sleeve. This will release the metal teeth holding the tube in place. While holding the lock sleeve down with that hand, use your other hand to remove the tube from the fitting.

How to connect the compression fitting

A compression fitting is used to connect the PVC tubing to the threaded metal inlet with a tapered open end, such as the refrigerator water inlet, etc.

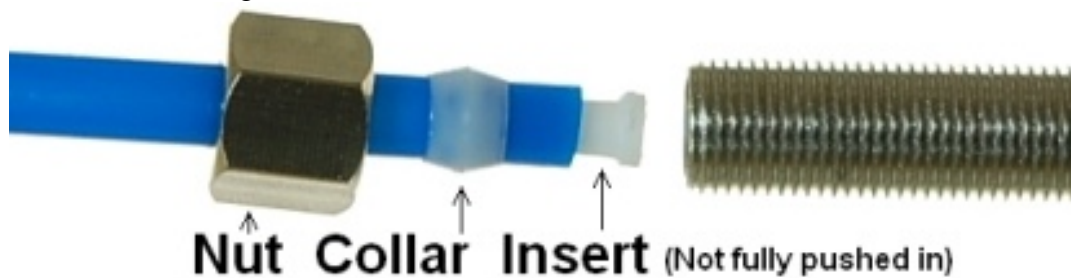


Figure 4

1. Slide the brass nut and tube collar onto the tube.
2. Fully insert the tube insert into the end of the tube.
3. Slide the tube collar towards the tube insert until it stops.
4. Insert the tube into the tapered, open end of the threaded metal inlet as shown in the picture.
5. Screw on the brass nut and tighten it up. The brass nut compresses the plastic tube collar onto the tapered metal surface and creates a water seal between them while the tube insert stiffens the tubing.

How to drill a 1/2" hole in your sink or counter-top

1. It's highly recommended to watch the **YouTube video "How To Drill Faucet Holes"** to get a better understanding of the process. Depending on what kind of countertop you have, you may want to hire an experienced professional to ensure the hole is drilled correctly.
2. Choose a half inch Diamond Core Bit for granite, and a titanium drill bit for steel. Do NOT use a hammer drill on nature stone, glass, and ceramic.
3. An indent should be made with a punch on steel before drilling to help guide the bit.
4. Use caution when drilling on a Porcelain sink, as it could be easily chipped. Set drill speed on slow. Press the bit downward firmly until breaking through the slippery surface. Some people found it is easier to secure the bit by drilling through a piece of wood that is firmly pressed on the surface.
5. Use coolant to disperse heat. Choose water for granite, and oil for steel. Use the Water Suction Cup to hold coolant inside and prevent the drill bit from slipping.
6. Starting at slowest speed, hold the drill firmly and vertically and prevent the drill bit from slipping on the counter.
7. Once breaking through the smooth surface, swirl the drill a little to apply pressure in a circle evenly.
8. Be patient and deliberate. It can take 20 – 40 minutes to drill through one inch.

Sample Installation

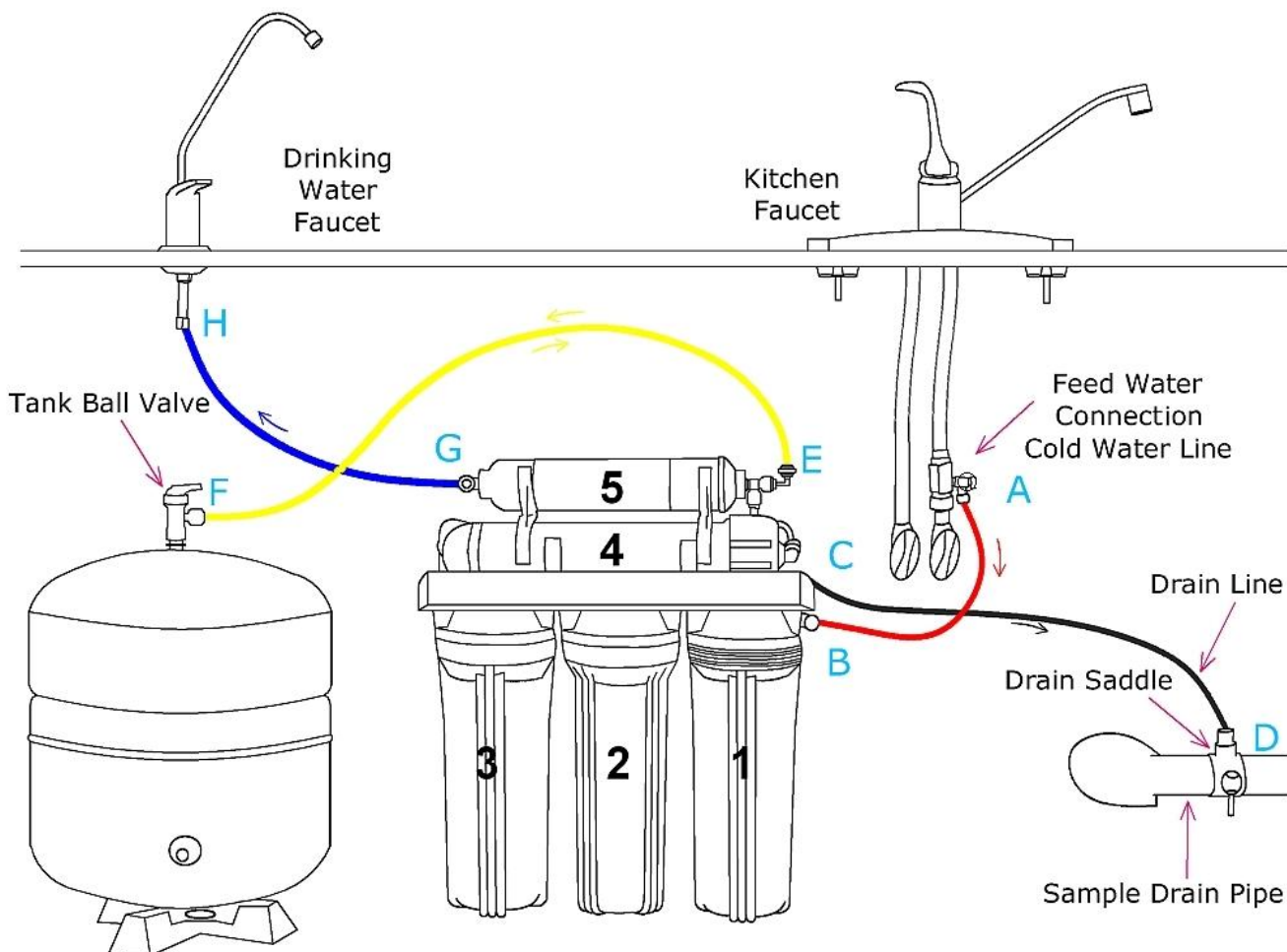


Figure 5

- A.** Source water from Feed Water Adapter → **B.** Source water to 1st stage water inlet
C. Waste water from Flow Restrictor → **D.** Waste water to Drain Saddle/drain pipe
E. RO water from stage 5 “T” fitting → **F.** RO water to Storage Tank
F. When the drinking faucet is opened, RO water from the tank passes through E and G → **H.** RO water to the drinking faucet

Installation Steps



Before you begin the installation, it is highly recommended that you watch the video “iSpring Reverse Osmosis Installation” on YouTube.

Note: If you plan on mounting/hanging the system, it is highly recommended to include supports under each of the bottom three housings. Supports under the housings will take the water weight off the housing threads, and ensure the thread strength does not decay over the years.

Note: The booster pump (and UV stage if applicable) should remain unplugged until directed.

Note: Steps 1 – 7 are independent, and can be performed in any order.

Step 1: Installing the Feed Water Adapter (AFW43)

(The bushing can convert 3/8" comp. to 1/2" NPT. Refer to AFW43 user manual)

- 1.1 See Figure 5. Turn off the Cold Water Line via the Cold Water Supply Valve (CWSV) under the sink. Open the kitchen faucet to release any pressure and make sure the water has stopped before proceeding to the next step. Get a towel or bucket to catch any water drips. Disconnect the Kitchen Faucet Connector (KFC) pipe from the CWSV.
- 1.2 Check to make sure the O-ring is seated inside the AFW43 female end, and twist it onto the CWSV. Tighten it using a wrench or pliers.
- 1.3 Twist the KFC onto the male end of the AFW43. Turn the handle of the AFW43 to the perpendicular OFF position. Turn on the CWSV slowly, and ensure you are getting a proper seal.
- 1.4 Connect the 1/4" **RED** tubing to the AFW43.

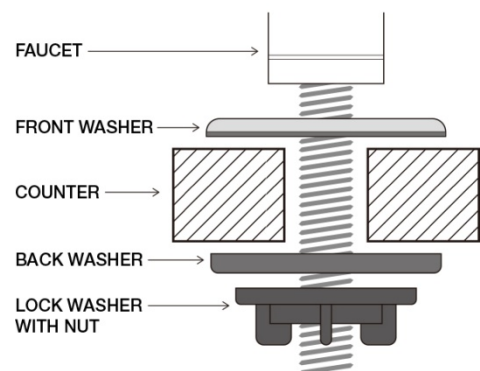
Feed Water Adapter with Bushing to convert 3/8" COMP to 1/2" NPT



The included Conversion Adapter (bushing) can be threaded either side of valve to make configuration of 3/8" x 3/8" COMP or 1/2" x 1/2" NPT

Step 2: Installing the RO Faucet

- 2.1 If your kitchen sink does not have an existing 1/2" faucet hole, you will have to drill one. (Refer to *How to drill a Hole on Sink or Counter-top*). Wipe clean and dry the area.
- 2.2 Slip the front plate on the faucet stem, followed by the rubber washer. Insert the faucet stem into the hole on the countertop. Under the sink, slip on the back rubber washer, and tighten the nut with the plastic wing.
- 2.3 Slide the Nut, then the Collar onto the end of the tubing.
- 2.4 Push the Tube Insert into the open end of the tubing.
- 2.5 Insert the tubing into the threaded faucet stem.
- 2.6 Screw the Nut tightly onto the threaded faucet stem.
- 2.7 This compresses the Tube Collar and Tube Insert to create the seal between the tubing and faucet.



Step 3: Installing the Drain Saddle

- 3.1 Choose a spot on the drain pipe that is convenient for installing the drain saddle and tubing. A horizontal pipe is recommended to minimize the dripping sound.
- 3.2 Drill a 1/4" hole in the drain pipe, and paste the black sticky pad around the hole.
- 3.3 Cut the **BLACK** tubing end to make a 45 degree angle. Slip the plastic nut and front plate on the tubing. Insert the tubing into the 1/4" hole in the drain pipe, install the back plate, and tighten the two screws with hex nuts while the tubing remains in the hole.
- 3.4 Tighten the nut on the Drain Saddle by hand. Pull the tubing lightly to make sure it is secure.



Step 4: Installing the Vertical Filters: Stages 1, 2, and 3

- 4.1 Make sure the O-ring is seated inside the groove on top of the filter housing. (Figure 10). A light amount of food-grade silicone jelly may be used to help the O-ring seal better, but is not required.
- 4.2 The filter cartridges are preserved in shrink wrap. Note the direction sign on the sticker before removing the wrap.
- 4.3 When placing the filter cartridge into its housing, make sure it is centered and the knob protruding from the bottom of the housing fits in the central hole of the filter.
- 4.4 Screw the housing, with filters attached, onto the housing caps (caps are pre-assembled on the machine head). The cap also has a center knob which should be inserted into the center hole of the filter cartridge. Twist the housing on in a clockwise direction by hand, and then use the housing wrench to tighten it another 1/4 – 1/2 of a turn. **Do not over tighten. This can cause leaks and make it difficult to unscrew the housing when replacing filters.**
- 4.5 Follow steps 1.1 – 1.4 to install the GAC and CTO filters. *Note* the second stage GAC is the only filter that must go in a certain direction. Make sure the end with the rubber washer faces up, thereby attaching it to the housing cap.



Step 5: Installing the Tank Shut-Off Valve (TSV)

- 5.1 Wrap 10 - 15 wraps of Teflon tape clockwise (when looking from above) onto the metal thread at the top of the tank.
- 5.2 Screw (clockwise) the Tank Shut-off Valve on and tighten it by hand. Do not over tighten.
- 5.3 Connect the **YELLOW** tubing into the Quick-Fitting on the TSV.

Step 6: Installing the Reverse Osmosis Membrane

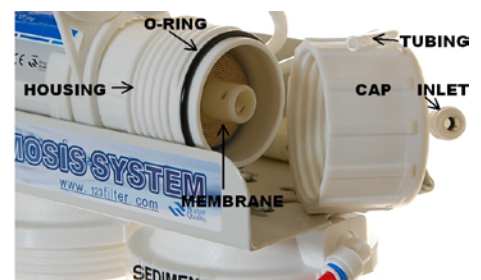
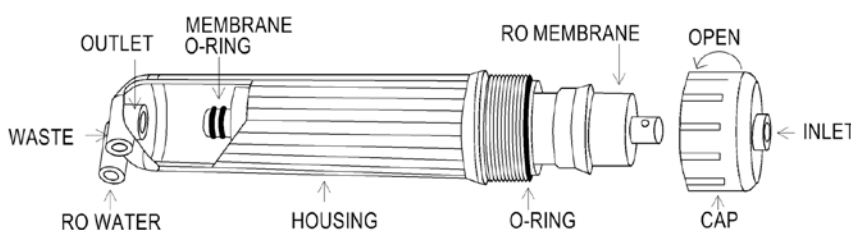


Figure 8

Figure 9

- 6.1 First, disconnect the white tube from the quick-fitting connection on the membrane cap. This will allow you to unscrew the membrane housing cap.
- 6.2 All the systems are wet tested without filters prior to shipment, so you may notice some water drops still inside the housing.
- 6.3 Unscrew (counter clockwise) and remove the membrane cap.
- 6.4 Note: the membrane is a “wet” membrane, and comes vacuum sealed wet with a special solution. Following the flow direction sign on the membrane, cut open the “small end” of the bag, hold the membrane with the bag to avoid touching or contaminating it, and firmly insert it into the housing. **This way the end with the two small black O-rings towards the bottom.** When it is inserted fully and properly, the “bigger” end of the membrane will be even with the housing opening. See Figures 8-9. After the membrane has been fully inserted you may then disregard the bag.
- 6.5 Before twisting the housing cap back on, make sure the **O-ring is seated at the end of the membrane housing** as shown in figures 8 and 9. **This is very important to avoid leaking and damage to the O-ring.**
- 6.6 Place the membrane housing cap back on and hand tighten it, then use the housing wrench to tighten it another ¼-½” of a turn. Do not over tighten.
- 6.7 **DO NOT** reconnect the tubing to the fitting on the cap at this point (will be done in system start up).

Step 7: Tubing Hook Up (see figure 5 above to see letters not shown below)





- 7.1 See figure Sample Installation and figures of system top view, and note connection points A-B, C-D, E-F, and G-H.
- 7.2 Facing the front of the system, 1st stage is the see through housing located on the right hand side. Connect the **RED** tubing Feed Water Adapter (AFW43) (point A) to the stage 1 elbow fitting (point B).
- 7.3 Connect the Flow Restrictor (point C, 3-inch long cylinder with a FLOW labeled on it) to the Drain Saddle (point D) with the **BLACK** tubing.
- 7.4 On the right side of the Post Carbon Filter (FT15, 5th stage), connect the T-fitting (point E) and the Tank Valve (point F) with the **YELLOW** tubing.

- 7.5 At the left end of the stage 5 FT15 filter, insert the **BLUE** tubing (links to RO faucet) into the elbow fitting.
* Models with UV/AK/DI: RO water flows out of point G at FT15 and flows into the input (left) side of the next stage. So the **BLUE** tubing should be connected to the output side of the final stage.
- 7.6 Connect the other end of the **BLUE** tubing to the RO faucet (refer to *How to Use the Compression Fitting*).
- 7.7 You may neatly organize the tubings, but make sure to leave enough length so the filter system can be moved freely in and out of the cabinet when replacing filters.
- 7.8 You can mount the system using two 10 x 1-1/4 Phillips Flat Wood Screws. This will make replacing filter cartridges easier. **Note:** If you plan on mounting/hanging the system, it is highly recommended to include supports under each of the bottom three housings. Supports under the housings will take the water weight off the housing threads, and ensure the thread strength does not decay over the years.



Step 8: System Start Up (model specific sub-steps are marked with a *)

Note: You may now plug in the booster pump to an outlet. The pump will not turn on until water is flowing.

* If your model has a UV stage, do not plug in the UV power until the system has been fully flushed.

- 8.1 Make sure no tubings are kinked. **Turn the Tank Shut-off Valve OFF (perpendicular to the yellow tube).** Place a towel under the system to catch any possible water leaks.
- 8.2 To prevent any residual carbon from the carbon pre filters from getting into the RO membrane, you previously left the tubing to the inlet of the RO membrane housing cap disconnected. Open the Feed Water Adapter Valve (AFW43) and Cold Water Supply Valve (CWSV), and flush the first three stages into a bucket until the water turns clear.
- 8.3 Once the water is clear, shut off the AFW43 and reconnect the tubing to the RO membrane housing cap. You will want to flush the first three stages like this whenever they are changed.
- 8.4 Open the RO faucet. Slowly open the AFW43 back up and **check for any leaks. The top 3 causes of leaks are 1) The tubing is not fully inserted into the quick-connect fitting. 2) The O-ring is not in the correct place or is kinked. 3) The Housing/Cap is not tightened properly or is misaligned with the threads.**
- 8.5 Within 5 minutes, the booster pump will kick on and RO water will start slowly trickling from the faucet. Let the faucet trickle for at least 15 minutes to flush out the entire system apart from the tank. The water may appear black at first due to loose carbon from new carbon filters. It will eventually turn clear apart from many tiny air bubbles leaving the system.
- 8.6 Shut off the RO Drinking Faucet. Open the Tank Shut-off Valve. Wait for the tank to fill up completely. It will take 1 to 2 hours depending on your water temperature (40F-100F, the warmer the faster) and source water TDS (up to 750 ppm, the lower the faster). The pump will shut off automatically when the tank is full.
- 8.7 After the tank is full, open the RO Drinking Faucet to drain the tank completely. Do not use the first tank of water. Let it drain into the sink until the stream turns back to a trickle. This means the tank has emptied and you can close the RO faucet to let it begin filling again.
- 8.8 * If your system has a UV filter, plug in the UV power and check to make sure the UV light is turning on when water flows through it. The UV filter has a Flow Sensor Switch that detects water flow and only turns the light on when needed. If the UV is not turning on

when water flows through, confirm the power source you are using has power. Typically the garbage disposal outlet only has power when the disposal is switched on.

- 8.9 The TDS (total dissolved solids) of the water should be tested periodically to verify that the system is performing properly. iSpring RO systems have earned **WQA GOLD SEAL** by exceeding NSF/ANSI standard 58 and should be giving a 90%+ TDS rejection rate, so if your tap water is 100ppm you should be getting 10ppm or less from the RO water (200/20>, 400/40> etc.). TDS is measured with a TDS meter - it is an inexpensive, easy to use device that can be found on Amazon.com or 123filter.com by searching “iSpring TDS”.
- 8.10 Check for leaks daily for the first two weeks after installation to ensure the system is functioning properly. Install the included Flood Alarm to provide additional peace of mind and protection.

**Congratulations, you have successfully installed your
iSpring Reverse Osmosis Water Filtration System!**

Start enjoying fantastic reverse osmosis water right from your tap!

-----End of Installation Section-----

OWNER'S MANUAL

Please read this manual for useful reverse osmosis system maintenance information.

Section 1: iSpring RO System Maintenance

All iSpring RO systems are designed with ease of use and low maintenance in mind. If the filter cartridges are changed on schedule as suggested, the system will work properly for years to come.

See the chart below for the filter pack model numbers for your system. The filter packs can be found on 123filter.com, Amazon, or HomeDepot.com.

| <u>System Model</u> | <u>1-Year Filter Pack</u> | <u>2-Year Filter Pack</u> | <u>3-Year Filter Pack</u> |
|-------------------------|---------------------------|---------------------------|---------------------------|
| RCC7, RCC7P | F7-GAC | F15-75 | F22-75 |
| RCC7AK, RCC7P-AK | F9K | F19K75 | F28K75 |
| RCC7AK-UV | F10KU | F21KU75 | F31KU75 |
| RCC7D | F9D | F19D75 | F28D75 |
| RCC7U | F8U | F17U75 | F25U75 |
| RCC1P | F7-GAC | F15-100 | F22-100 |
| RCC1PAK | F9K | F19K100 | F28K100 |
| RCC1UP | F8U | F17U100 | F25U100 |
| RCC1UP-AK | F10KU | F21KU100 | F31KU100 |
| RCW5 | F7-GAC | F15-50 | F22-50 |

Filter Cartridge Replacement Schedule



Note: Stages 6 and/or 7 only exist on certain models.

Stage 1 – 3 Pre-Filters

Replace every 6 months or sooner if you notice a decrease in water flow or quality. The replacement frequency depends on your water usage and source water quality. To protect the RO membrane from chlorine and other damaging contaminants, it is important to change the pre-filters according to schedule.

How to change the stage 1 – 3 pre-filters:

1. Shut off the cold water supply valve and tank valve, and open the RO faucet to depressurize the system. Place a bucket or towel under the system to catch any water spills.
2. If there is enough room under the sink and the filter system is hung on the wall, you can twist the filter housing off without removing the system from the wall. Otherwise, you will need to pull the system out, lay it down, and remove the housings at that point. Be careful with the tubing connections when removing the system.
3. Twist off the filter housings in a counter-clockwise direction using the filter housing wrench.
4. Refer to Installation Step 1.1 to install the new vertical filter cartridges, and tighten the filter housings back on. Remember not to over tighten them or they will be hard to unscrew next time.

Stage 4 RO Membrane

Replace every 2-3 years or sooner if the TDS level starts increasing. Check the TDS level at least once a month to monitor the system's performance. The TDS rejection rate should be 90%+. To calculate the rejection rate, divide the RO water TDS into your tap water TDS and subtract from 1. For example, 20 (RO TDS) / 200 (Tap water TDS) = 0.1 1-0.1 = 0.9 so the TDS rejection rate would be 90%. (NSF/ASIN STANDARD 58 for RO water filter).

How to Change the Reverse Osmosis Membrane

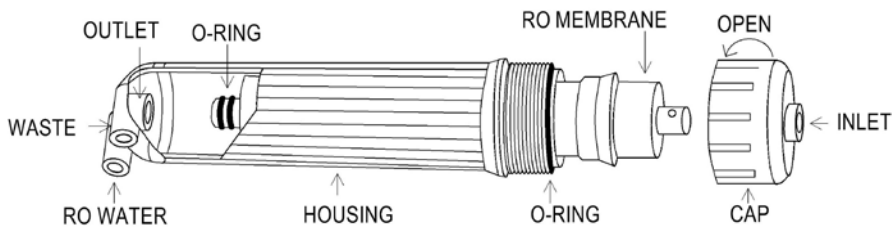


Figure 11

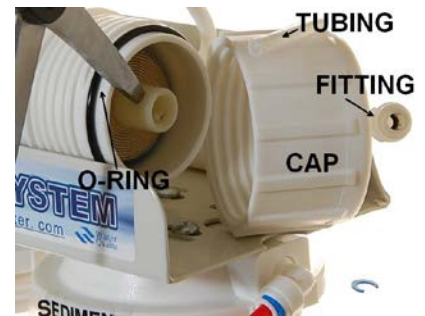


Figure 12

1. The RO membrane typically lasts about 2 – 3 years. The membrane life span depends on the source water quality, your water usage, and how often the three pre-filters are replaced. To ensure the system's performance and water purity, it is important to replace the pre-filter cartridges on schedule. Use a TDS meter to periodically check the RO water purity.
2. Shut off the cold water supply valve and tank valve, and open the RO faucet to depressurize the system. Place a bucket or towel under the system to catch any water spills.
3. Remove the tubing from the quick-connect fitting on the membrane housing cap. Use the membrane housing wrench to twist off the housing cap in a counter-clockwise direction.
4. Pull out the old membrane. Use scissors or pliers to apply leverage if necessary.
5. Clean the membrane housing using hot water and scent-free dish soap (optional). Rinse thoroughly.
6. Cut open the small end of the vacuum sealed packaging containing the new RO membrane. Hold the new membrane through the packaging, and insert it into the housing without touching the membrane with your bare hands to avoid contamination of the membrane.
7. Make sure the O-ring is properly seated on the end of the membrane housing as shown in the previous images. We recommend replacing the O-ring every 3 years to prevent leaking due to an expired or dried out O-ring.
8. Place the membrane housing cap back on and hand tighten it, then use the housing wrench to tighten it another 1/4-1/2" of a turn. Do not over tighten.

Stage 5 FT15 Inline Post Carbon Filter and Stage 6 FA15 Inline Alkaline Filter*

Replace the FT15 every 12 months and the Alkaline filter every 6 months

1. Remove all quick-connect tubing connections from the FT15 Post Carbon Filter.
2. Unscrew the fittings from both ends of the old Post Carbon Filter. Wrap the thread of each fitting 2-3 times with Teflon tape, and screw them into their respective sides on the new Post Carbon Filter.
3. Reconnect the quick connect tubing connections to the new Post Carbon Filter.

Tank Maintenance

It is recommended to fully empty and refill the tank at least once a month. This keeps the water inside the tank fresh and not sitting for an extended period of time.

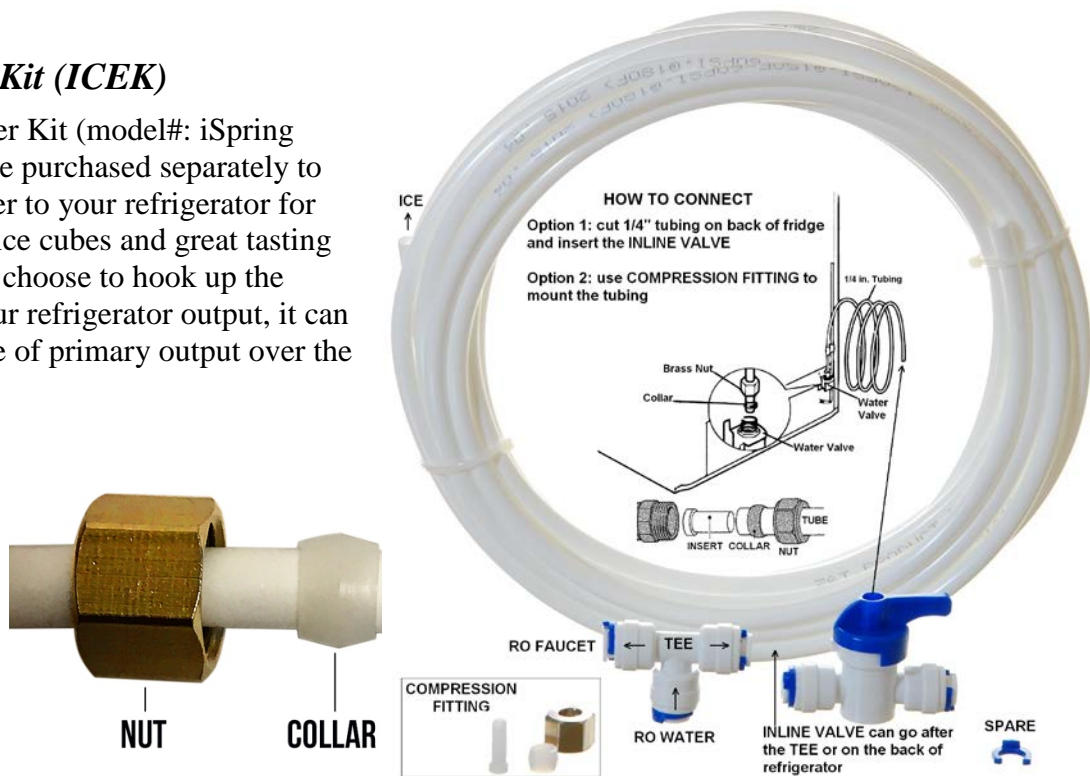
What should I do with the system when going out of town?

When you are leaving for an extended period of time, you will want to shut off the water supply to the system and empty the tank. To do this, close the knob on the feed water adapter, and open the faucet until it stops running. This will signify that the tank is empty. The filters should be replaced if the system is not used for over a week as they will be sitting in stagnant water.

Optional Add-Ons

Ice Maker Kit (ICEK)

The Ice Maker Kit (model#: iSpring **ICEK**) can be purchased separately to feed RO water to your refrigerator for crystal clear ice cubes and great tasting water. If you choose to hook up the system to your refrigerator output, it can take the place of primary output over the RO faucet.



Section 2: Knowledge Base and FAQ

What Is Reverse Osmosis?

Reverse osmosis, also known as hyper filtration, is a membrane filtration process that separates undesirable contaminants from water by using pressure to force the water molecules through a semi-permeable membrane. This process is called "reverse" osmosis because the pressure forces the water to flow in the reverse direction (from the concentrated solution to the dilute solution) to the flow direction (from the dilute to the concentrated) in the process of natural osmosis. Reverse osmosis is used to purify water and remove salts and other impurities in order to improve the color, taste, odor and/or properties of your water. RO filtration can remove up to 99% of most contaminants including arsenic, nitrates, radium, chromium, fluoride, and dissolved solids such as sodium, calcium, iron, magnesium, copper, etc.

How Effective Is Reverse Osmosis Filtration?

Reverse osmosis filtration is by far the most effective and economic method of water filtration. It filters water by squeezing water through a semi-permeable membrane, which is rated at 0.0001 micron (equal to 0.00000004 inch). This is the same technology used to make bottled drinking water. It is also the most used technology for desalinating seawater, making it into drinking water.

What is a TDS meter?

A TDS meter is a handheld Total Dissolved Solids tester. TDS is the total weight of all solids dissolved in a given volume of water. It is expressed in parts per million (PPM). With a TDS meter, you can compare the quality of the RO water with your original source water, and also periodically check the RO water to know when it's time to change the filters.

What are the specific contaminants that a reverse osmosis system removes?

iSpring Reverse Osmosis filtration systems reject a wide variety of impurities. Here is a partial list:

| Item | Rejection Rate | Item | Rejection Rate | Item | Rejection Rate |
|-----------------|----------------|---------------|----------------|------------------|----------------|
| Aluminum | 97-98% | Ferro cyanide | 98-99% | Proteins | 90+% |
| Amoebic Cysts | 99% | Fluoride | 94-96% | Protozoa | 99% |
| Ammonium | 85-95% | Giardia | 99% | Pyrogen | 99+% |
| Arsenic | 94-96% | Hardness | 93-97% | Radioactivity | 95-98% |
| Asbestos | 99% | Herbicides | 97% | Radium | 97% |
| Bacteria | 99+% | Hydrocarbons | 90+% | Sediment | 99% |
| Barium | 90-98% | Insecticides | 97% | Selenium | 97% |
| Bicarbonate | 95-96% | Iron | 98-99% | Silica | 85-90% |
| Boron | 50-70% | Lead | 96-98% | Silicate | 95-97% |
| Bromide | 93-96% | Magnesium | 96-98% | Silver | 95-97% |
| Cadmium | 96-98% | Manganese | 96-98% | Sodium | 92-98% |
| Calcium | 96-98% | Mercury | 96-98% | Strontium | 90-95% |
| Chloride | 94-95% | Nickel | 97-99% | Sulfur/Sulfate | 97-98% |
| Chromate | 90-98% | Nitrate | 93-96% | Sulphite | 96-98% |
| Chromium | 96-98% | PCBs | 97% | TDS | 95-99% |
| Copper | 97-99% | Pesticides | 90+% | THMs | 90+% |
| Cryptosporidium | 99% | Phosphate | 99+% | Trichlorethylene | 90+% |
| Cyanide | 90-95% | Polyphosphate | 98-99% | Virus | 99+% |
| Detergents | 97% | Potassium | 92-97% | Zinc | 98-99% |

Note: You may or may not have these contaminants in your water. The percentage rejection rate is for reference only. Percentages may vary since water chemistry varies in each water supply.

What is an Alkaline Filter?

The Alkaline filter changes the acidic RO water into a perfect Natural Alkali Calcium Ionized Water. The Alkaline filter simply gives back minerals such as ionized calcium, magnesium, sodium, potassium ion, which were taken away while purifying the water. (Model #FA15)

- Produces pH-balanced alkaline water, helps minimize the fluctuations of your body's pH.
- Turns acidic drinking water into alkali calcium ion water.
- The natural calcium, magnesium, sodium, and potassium ions can be absorbed 100% by the body.
- These minerals are easily absorbed by the body because they have structurally smaller molecules which help the body take in more water and replenish lost water quicker.
- Makes the water cleaner and healthier.
- Improves the qualities of RO water by adding necessary minerals for proper human development, such as calcium, magnesium, sodium, potassium, and others readily found in many natural mineral waters.
- Mainly installed with RO systems to complement their absolute filtration qualities.

What is a DI filter?

DI stands for deionization. The DI filter takes reverse osmosis to a higher level of filtration. It is an excellent inline filter, especially for those who live in areas with exceptionally high levels of total dissolved solids (TDS) in their tap water. The DI filter takes the small percentage of contaminants that the membrane could not remove and filters the water to 99.99% purity, and give you close to 0

ppm TDS. Conductivity attainable less than 0.1uS/cm or resistivity of close to 18 megohm. (Model #FD15)

What is a UV filter?

Our UV filter (model #UVF11A) comes with an 11W UV sterilization lamp in a stainless steel housing. The UV kills 99% of viruses and bacteria in the water. The UV light has wavelengths between 250 and 270 nanometers (UV-C or UVC band) and is extremely effective in killing many species of bacteria, mold spores, viruses and other microorganisms. It is recommended for customers who use well water, rain water, or have bacteria concerns in their water.

Maximum distance from tank to faucet

We recommend staying under a total distance of 15 feet of tubing between the tank and the RO faucet or output location. The system will produce a faster flow at the faucet with the shortest tubing run from tank to faucet.

If you wish to go over 15 feet and still get a strong output flow, you may want to consider adding a demand pump. A demand pump would be installed on the output line, and increase the output water pressure coming from the tank. We do not offer any, but there are many different models available on Amazon.

Does the UV filter run 24/7? Will the water out of UV filter be hot?

The iSpring UV filter features a Smart Flow Sensor Switch on the tubing connected to the UV housing. This switch communicates with the UV transformer to turn the UV on and off with water flow, conserving power and extending the life of the bulb. The UV remains on for an additional two minutes after flow has stopped to pre-sterilize the water in the system for the next time it is used. So in short the UV filter only powers on when needed, and does not heat the water up.

Can I add an additional filter to my existing system?

Yes, to add an additional filter onto an existing system you will just need the filter itself and a filter add-on kit. The most common filter to add is the alkaline remineralization filter, which has the model number "FA15". The add-on kit comes with elbow fittings, filter clamps, and tubing, and the model number is "ACL1".

What is the drain to pure water ratio?

The ratio of drain water to reverse osmosis water is approximately 3:1. This will depend on water pressure, water temperature, and the contamination level of the water source. A toilet flush uses about three gallons of water, so on average the daily system drain water is equivalent to an additional flush of the toilet per day. The drain water is up to twice as contaminated as the tap water going into the system, as all of the contaminants that the system rejects are concentrated in this water.

How to check and adjust the tank pressure if needed

When empty, the tank pressure should read between 7 and 10 PSI. The tank bladder comes pre-pressurized, so there is no need to adjust the pressure on the tank when you receive the system. Occasionally, the tank bladder may lose pressure over time. To check this, remove the blue cap covering the air nozzle on the bottom half portion of the tank. The tank pressure can then be checked with a standard tire pressure gauge. If the tank is over inflated, you can let air out at this point until you are within 7 and 10 PSI. If you need to add air to the tank, you can do so with a standard bicycle pump.

Section 3: Troubleshooting Guide for Newly Installed Systems w/ Booster Pump



1) Zero output water from RO faucet

- a) Water supply is closed. Open the water supply to the system so the valve is in line with the red tubing.
- b) Incorrect installation. Verify all tubing connections.
- c) The pump is not running, therefore not allowing water through. Make sure the pump is plugged into a live outlet that gets continuous power.
- d) A tubing is crimped, blocking the water flow. Check all tubings and uncrimp any crimped tubings.

2) Tank not filling after several hours

- a) Pump is not running, therefore not allowing water to pass through. See “Pump does not start”.
- b) Incorrect installation. Verify all tubing connections.
- c) Tank valve is closed. Make sure the tank valve is in line with the yellow tubing.

3) Leaking from where the tubings are inserted into the fittings

- a) The tubing is not pushed in past the O-ring inside the fitting, therefore not creating a seal. Make sure the tubing is pushed in a full ½” into the fitting. It will take some extra pressure, but you will feel the tube go fully into the fitting when it does so.
- b) The O-ring inside the fitting is not creating a seal with the tubing. Unscrew the elbow fitting, and replace it with one of the spare elbow fittings. Make sure to wrap the new fitting thread several times with Teflon tape before screwing it in.

4) Leaking from between the membrane cap and membrane housing

- a) If the membrane housing is leaking, make sure the O-ring is seated correctly as shown in sections “Installing the RO Membrane” and “How to Change the RO Membrane”. It should be seated on the end of the membrane housing before the threads begin. The membrane cap is then screwed on over it. When positioned incorrectly, it will create a gap or damage the O-ring. When in the correct place, there will not be any pressure or tension on the O-ring.
- 5) Low water flow (trickle) at RO faucet**
- a) Tank has not been given the chance to fill. Allow approximately two hours for the tank to fill.
 - b) Tank valve is closed. Make sure the blue tank valve is in line with the yellow tube.
- 6) High TDS in RO water**
- a) The system will provide a 90%+ TDS rejection rate when working properly. Meaning if your tap water TDS is 500 ppm, the water from the system should be 50 ppm or lower.
 - b) Incorrect installation. Verify all connections on the system.
 - c) If the TDS of the tap water and water from the system are about the same, make sure the RO membrane is in fact installed. The semi permeable membrane is blue, comes in sealed packaging, and goes in the stage 4 membrane housing.
 - d) If you are getting some reduction in TDS but not 90%+, some water could be bypassing the membrane. Contact iSpring customer support to identify the exact cause.
- 7) Cloudy water after installation**
- a) In the weeks after installing the system or changing the filters, you will see many tiny air bubbles in the RO water. This can cause the water to appear “cloudy”. The bubbles will disappear as the system clears itself of trapped air, and are harmless for the time being.
- 8) The system drains water 24/7 (continuous drain)**
- a) Keep in mind that it will take anywhere from 1-3 hours for the system to fill the tank from empty, and the drain line will be trickling during this time. If the drain line continues to run for 4+ hours, one of the following reasons could be the problem.
 - b) The pump is running 24/7. See “Pump runs 24/7”.
 - c) The inlet water solenoid valve is bad and is unable to shut off the incoming water supply.
- 9) Leak from tank valve connection**
- a) Make sure you have applied Teflon tape to the tank threads before screwing on the tank valve. There should be at least 8-10 wraps of Teflon tape to ensure a proper seal. If you have done this and it continues to leak, contact iSpring customer support for a replacement.
- 10) Water from the system tastes the same as tap water**
- a) Incorrect installation. Verify all connections on the system.
 - b) The RO membrane is not installed in the housing. Ensure the membrane has been installed.
- 11) Pump does not start**
- a) No power. Make sure the pump is plugged in. If it is plugged in and still not kicking on, make sure it is not plugged into the same outlet as the garbage disposal. Typically this outlet only has power when the garbage disposal is switched on.
 - b) Incoming water pressure is below 30 PSI. The low pressure switch kicks on the booster pump at 30 PSI, and if this pressure is not reached then the pump will not turn on.
 - c) Low pressure switch is not functioning correctly and is therefore unable to turn the pump on.
- 12) Pump runs 24/7**
- a) If the pump is running 24/7 and the output flow remains normal, the high pressure switch is faulty and not triggering the pump to turn off.
 - b) If the pump is running 24/7 and you are getting little to no output flow, either the check valve is losing pressure or the pump itself is faulty.
 - c) Tank pressure is too low, never reaching the pressure requirement to shut the pump. Empty the tank and set it between 7-10 PSI and reconnect.

Section 4: Glossary and Terms to Know

Add-On Kit (#ACL1): Filter add on kit for adding additional in line filters to an existing system. Comes with quick-connect elbow fittings, filter clamps, and additional tubing

Alkaline Remineralization Filter* (#FA15): 6th stage. Remineralizes the RO water and neutralizes the pH

Auto Flush Solenoid Valve (#ASOF7): Automatically flushes the RO membrane to preserve membrane life and efficiency

Booster Pump (#PMP5): 24 volt booster pump used by residential iSpring RO systems

Check Valve (#ACV1K): One way valve that does not allow water back into the membrane housing. Looks like a standard elbow fitting and is located on the “Pure” water port of the membrane housing

CTO Carbon Block Filter (#FC15): 3rd stage. 5 micron 10” carbon block filter. Further removes any residual chlorine, tastes, and odors before the water reaches the RO membrane

Drain Saddle (#ADS1): Attaches to your under-sink drain pipe to secure the drain tube coming from the system

Drinking Faucet (#GA1-BN): The output source for the RO water. The faucet is a non-air gap faucet with a ¼” tubing connection. The optimal sized counter-top hole for the faucet is ½”, but holes up to approximately 1 ½” will work

Elbow Fittings (#4044K): Quick connect elbow fittings used on the system (except for on the membrane housing and cap). ¼” tubing connection and ¼” NPT male thread

Elbow Fittings on Membrane Housing (#4042K): Quick connect elbow fittings used on the membrane cap and drain port of the membrane housing. ¼” tubing connection and ⅛” NPTF male thread

Feed Water Adapter (#AFW43): Goes in line with your cold water line and branches off a water supply line to the RO system. Can adapt to ⅜” and ½” cold water lines

Feed Water Solenoid Valve (#ASOW7): Opens the water supply to the booster pump when the low pressure switch and high pressure switch are both on. Shuts off the water supply when one or both turn off

Flow Restrictor (#AFR300): Limits the drain water flow, keeping pressure in the system and allowing the RO process to occur

Flow Sensor Switch* (#FSS): Detects water flow to turn the UV filter on and off as needed

GAC Filter (#FG15): 2nd stage. 5 micron 10” granulated activated carbon filter. Removes chlorine, tastes, and odors from the water

GPD: Gallons Per Day

High Pressure Switch (#ALP1): Receives pressure signals from the pressurized storage tank. Turns on when the tank pressure is below 20 PSI and turns off when tank pressure reaches 35 PSI (e.g. tank full)

Housing Wrench for Membrane Housing (#AWR1): Housing wrench used to screw on and unscrew the membrane housing cap

Housing Wrench for Stages 1, 2, and 3 (#AWR2): Housing wrench used to screw on and unscrew the stage 1, 2, and 3 filter housings

Ice Maker Kit (#ICEK): Add on kit that allows you to run water from the system to your fridge ice maker or fridge water dispenser

Leak Stopper (#ALS1): Protects from any possible leaks by cutting off the water supply when the sponge absorbs water

Low Pressure Switch (#ALP1): Turns on when the source water pressure reaches 7 PSI, turns off when source water pressure drops below 7 PSI

Membrane Housing and Cap (#NW12): Horizontal housing that the RO membrane is inserted into

Membrane Housing O-Ring (#ORM): 2 ½” O.D. O-ring used to create the seal between the membrane housing and the membrane cap

Post Carbon Filter (#FT15): 5th stage. Works as a final polishing filter before the water is delivered to the faucet

PPM: Parts Per Million, a unit used to measure TDS readings

Pressurized Holding Tank (#T32M): 3.2g capacity pressurized water holding tank. The air bladder forces the water to the drinking faucet when the faucet is opened. Tank comes pre-pressurized and should read 7-10 PSI when empty

PSI: Pounds Per Square Inch, a unit used to measure water pressure

Quick Connect Fitting: A secure, easy to connect and disconnect type of fitting used on the system. The tubing is inserted past the tiny O-ring located inside each fitting, then locked into place by the spider lock and blue clip

Reverse Osmosis (RO) Membrane (#MC7): 4th stage. High rejection, 0.0001 micron, thin-film composite (TFC) reverse osmosis membrane, the heart of the reverse osmosis process

Sediment Filter (#FP15): 1st stage. 5 micron 10" polypropylene sediment filter. Traps particulate matter such as dirt, rust, and silt

Stage 1, 2, and 3 housing O-Rings (#ORF): 3 5/8" O.D. O-ring used to create the seal between the stage 1, 2, and 3 filter housings and their respective caps

Stage 1 See-Through Sediment Filter Housing (#HC12): Transparent stage 1 housing that holds the sediment filter. The see through housing allows for the sediment filter to be visually inspected

Stage 2 GAC Filter Housing (#HW12): Solid white housing that holds the stage 2 GAC filter

Stage 3 CTO Filter Housing (#HW12): Solid white housing that holds the stage 3 CTO filter

T Fitting on Stage 5 Post Carbon Filter (#7544K): T fitting located on the right side of the stage 5 Post Carbon Filter

Tank Valve (#ABV2K): On/off valve that screws onto the top of the tank

TDS: Total Dissolved Solids, a measure of the contamination level of a water source

TDS Meter (#TDS3): Handheld meter used to measure water quality

Transformer for Booster Pump (#ATRF5): Power supply used for the PMP5 booster pump on residential iSpring RO systems

Tubing (#T14B / #T14W): 1/4" food grade tubing used on the system

UV Replacement Bulb* (#UVB11): Replacement bulb for the UV filter

Ultraviolet Sterilization Filter* (#UVF11A/UVF11B): 6th or 7th stage. Mainly used for well water. Kills any viruses or bacteria that make it through the initial stages of the system

UV Transformer/Ballast* (#UVF11A/UVF11B): Power supply for the UV filter. Indicator lights on the ballast will only light up when water is flowing. UVF11A is for 110V power sources, UVF11B is for 220V power sources

Warranty

This Limited Warranty extends to the original purchaser of the system only. This warranty covers all Manufacturer-supplied items only that prove to be defective in material, workmanship, or factory preparation. This warranty covers parts only; all labor is excluded from this warranty, including, but not limited to, services related to the removal, replacement, installation, adjustment, maintenance, and/or repair of the unit or its components items. excludes all non-Manufacturer labor required for any servicing of the unit, including, but not limited to, servicing related to installation, adjustment, maintenance, and repair of the unit. This warranty applies only for the first full calendar year from date of purchase. The following items are excluded from this warranty: membranes, filters, O-rings, and all other parts or components that require regular replacement as a result of ordinary usage.

Disclaimers: This Limited Warranty applies only if the system is installed, used, and maintained in compliance with all instructions and requirements enclosed with the system. This warranty will be void for failure to observe the following conditions:

1. The system is to be used with potable water supply only.
2. Feed water pressure to the unit is no less than 45 PSI (30 PSI for systems with built-in booster pump) and no greater than 70 PSI.
3. The system is to be used on water supplies with chlorine concentrations of 1.0 mg/L (ppm) or less.
4. Feed water temperature to the unit must be no less than 40°F and no more than 100°F.
5. Total dissolved solids (TDS) in feed water must be less than 750 mg/L (ppm).
6. Feed water must have a pH between 4 and 8.
7. Turbidity must be less than 1.0 NTU.
8. SDI must be less than 5.
9. Feed water must be completely free of iron, manganese or hydrogen sulfide.

While the testing was performed under standard laboratory conditions, actual performance may vary. The Manufacturer does not know the characteristics of your water supply. The quality of water supplies may vary seasonably or over a period of time. Your water usage may vary as well. Water characteristics can also change if the drinking water appliance is moved to a new location. The Manufacturer assumes no liability for the determination of the proper equipment necessary to meet your requirements, and we do not authorize others to assume such obligation on our behalf.

This Limited Warranty does not cover any Manufacturer-supplied items that are defective as a result of the use of improper parts, equipment or materials. This warranty does not cover alterations or modifications of the unit or failure of a unit caused by such alterations and modifications.

This Limited Warranty does not cover malfunctions of the unit due to tampering, misuse, alteration, lack of regular maintenance, misapplication, fouling due to hydrogen sulfide, manganese or iron, scaling from excessive hardness, turbidity greater than 1.0 NTU, Silt Density Index (SDI) greater than 5.0 SDI, or excessive membrane hydrolysis due to chlorine levels in excess of 1.0 mg/L (ppm). In addition, damage to the unit due to fire, accident, negligence, act of God, or events beyond the control of the Manufacturer are not covered by this warranty.

Incidental and Consequential Damages Limitation: The Manufacturer will not be responsible for any incidental or consequential damages as a result of the failure of this unit to comply with express or implied warranties or any defect in the unit, including but not limited to, lost time, inconvenience, damage to personal property, loss of revenue, commercial losses, postage, travel, telephone expenditures, or other losses of this nature. In case some states do not allow the exclusion or limitation of incidental or consequential damages, you may choose to return the system. If you choose to keep it, you insist this exclusion STILL apply to you.

Owner's Warranty Responsibilities: As a condition of this Limited Warranty, the owner must ensure that periodic maintenance of the system is performed as described in the literature enclosed with the system. Neglect, improper maintenance, abuse, modification, or alteration of the unit will invalidate this Warranty. Should your unit develop a defect or otherwise fail to perform in accordance with this warranty, you should contact the retailer from whom the product was originally purchased.

Implied Warranties: The implied at-law warranties of merchantability and fitness for a particular purpose shall terminate on the date one year after the date of purchase.

NOTE: IN CASE SOME STATES DO NOT ALLOW LIMITATIONS ON HOW LONG AN IMPLIED WARRANTY LASTS, YOU MAY CHOOSE TO RETURN THE SYSTEM. IF YOU CHOOSE TO KEEP IT, YOU AGREE THAT THE ABOVE LIMITATIONS STILL APPLY TO YOU.

Warranty Registration

To register your product for the warranty, visit our website at 123filter.com and go to the “Warranty Registration” tab.

We provide a 30-day money back guarantee, a 1 year manufacturer warranty, and lifetime tech support for all of our products. However, we do not have the order information from websites other than 123Filter.com (Amazon, Home Depot, etc.), so please be sure to fill in that information upon registration of your system. If you have any questions or concerns about your product, please do not hesitate to call or email us, or put it in the notes/comments upon your warranty registration. Your satisfaction is our business!

If you are happy with our products and service, please show your support by writing a product review on Amazon, even just a single line. It takes you just a minute, but means a lot to us. Thank you!

How To Contact Us

Office Hours: Monday-Friday 8:30 a.m. - 5:30 p.m. EST

Phone: (678) 261-7611

Email: support@123filter.com



iSpring Water Systems, LLC (since 2005)

Water's good

3020 Trotters Parkway
Alpharetta, GA 30004, USA

123Filter.com

For questions, comments, or technical support, please contact us
at:

support@123filter.com

(678) 261-7611

Monday-Friday 8:30 a.m. - 5:30 p.m. EST