

Kräus®

INSTALLATION GUIDE

Arcus Single Lever Basin Bathroom Faucet

FUS-1011

Congratulations on the purchase of your new Kraus plumbing fixture!

Please keep the box and packaging materials until your product is completely installed. If you have any questions, require technical assistance, or have any problems with your product:



DO NOT RETURN TO STORE

**Please contact our Customer Service Team
1-800-775-0703 / customerservice@kraususa.com**

Have the model number available, and retain a copy of your receipt with purchase date for reference.

If for any reason this product does not meet your expectations, please be sure to repack this product in the original box and packaging material to avoid damage during transit.

Prior to Installation:

- Make sure you have all necessary parts by checking the diagram and parts list. If any part is missing or damaged, please contact Kraus Customer Service at 800-775-0703 for a replacement
- Turn off the hot and cold water lines at the angle stops and turn on the old faucet to release any built-up pressure
- Flush angle stops to release any debris prior to installing new plumbing
- Pre-drilled hole: 1-3/8" (min)
- Max countertop thickness: 1-3/8"

Diagram and Parts List

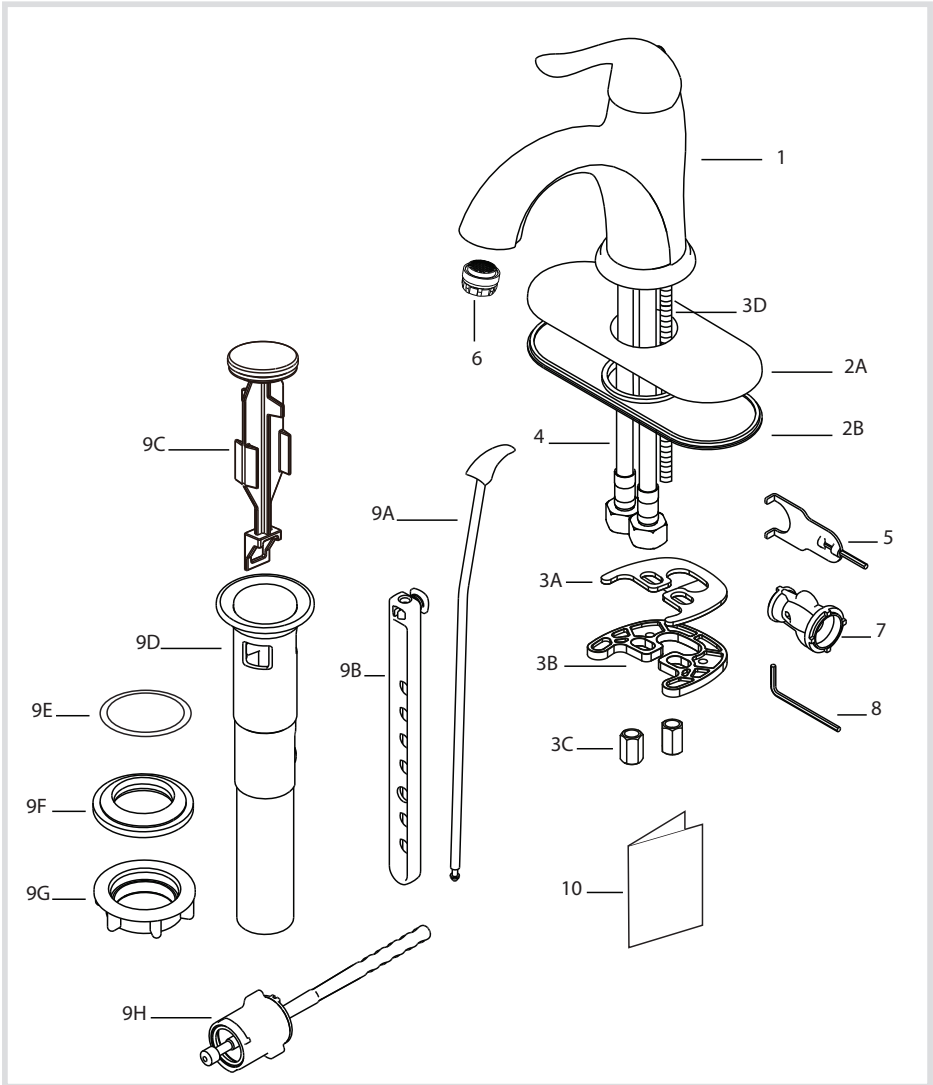


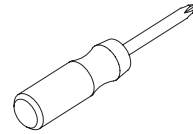
Diagram and Parts List

1. Faucet Body
2. Deck Plate Assembly
 - (A) Deck Plate
 - (B) Base Plate
3. Mounting Hardware
 - (A) Rubber Washer
 - (B) Metal Washer
 - (C) Mounting Nuts
 - (D) Mounting Screws
4. Hot & Cold Waterlines
5. Cartridge Key
6. Aerator
7. Aerator Key
8. Hex Wrench
9. Drain Assembly
 - (A) Lift Pole Rod
 - (B) Lift Pole Extension
 - (C) Waste Stopper
 - (D) Drain Body
 - (E) Rubber Washer
 - (F) Concave Washer
 - (G) Mounting Nut
 - (H) Drain Off Pole
10. Manual

Tools you will need:



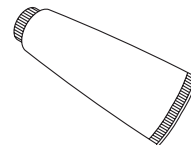
Adjustable Wrench



Phillips Screwdriver

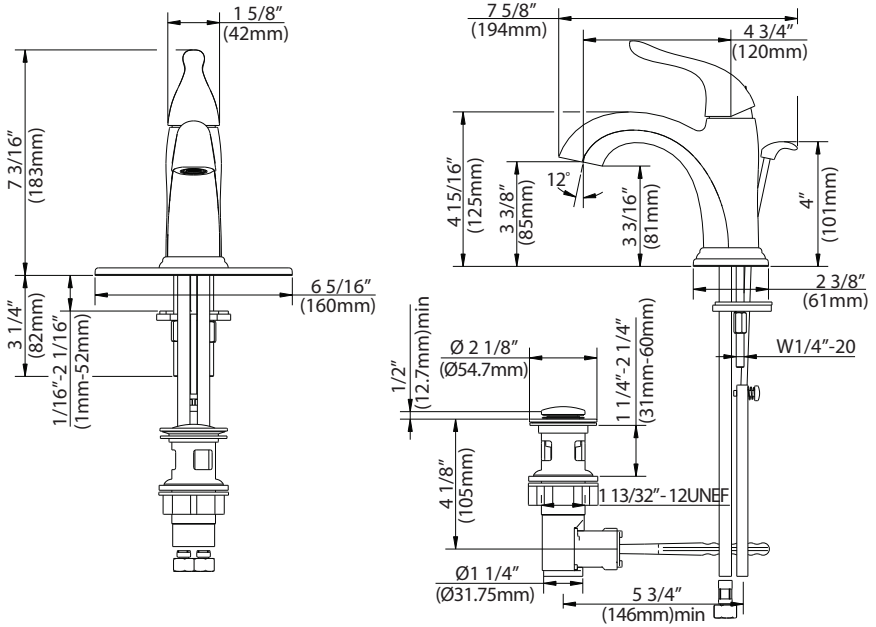


Pipe Tape

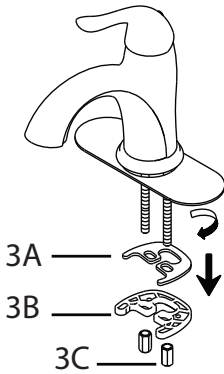


Silicone Sealant

Dimensions

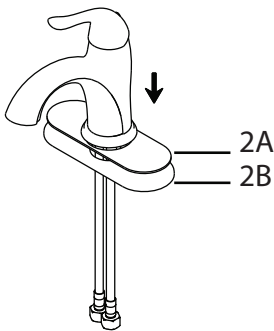


Step 1: Remove Mounting Hardware



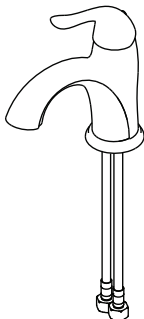
Remove mounting hardware from faucet (3A, B & C)

Step 2A: Installing the Faucet With Deck Plate



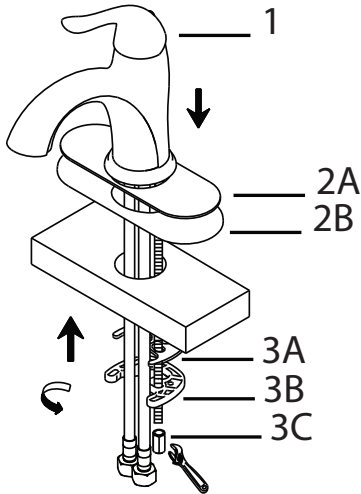
For three-hole installation, deck plate (2A), base plate (2B), and silicone sealant are required

Step 2B: Installing the Faucet Without Deck Plate



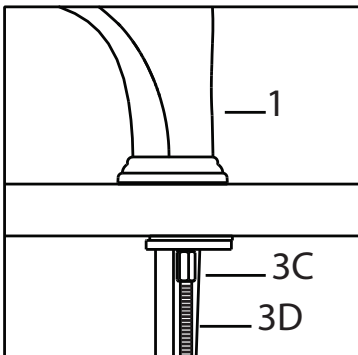
For single-hole installation, deck plate (2A), base plate (2B), and silicone sealant are NOT required

Step 3: Install Faucet and Mounting Hardware



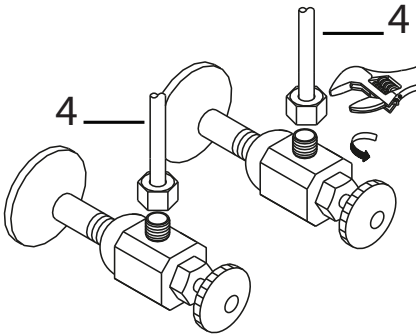
Insert faucet body (1) into the hole on the countertop or deck plate assembly (3). Install rubber washer (2A), metal washer (2B), and mounting nuts (2C) on mounting screws (2D) from underneath the countertop

Step 4: Secure Mounting Hardware



Adjust direction of faucet body (1). Tighten mounting nut (2C) onto mounting screws (2D) with a wrench until snug

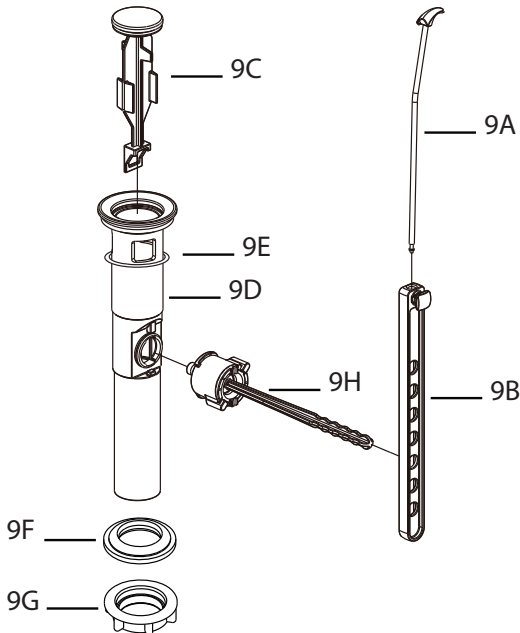
Step 5: Connect Waterlines to Main Valve

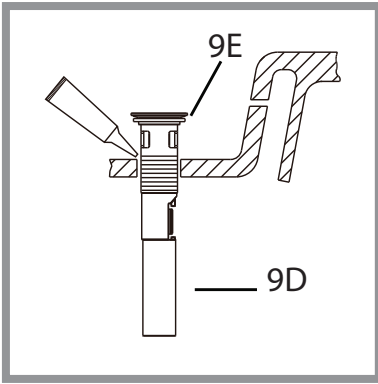


Connect hot & cold waterlines (4) to the angle stops. Tighten with a wrench until snug. Turn on hot and cold angle stops and check for leaks

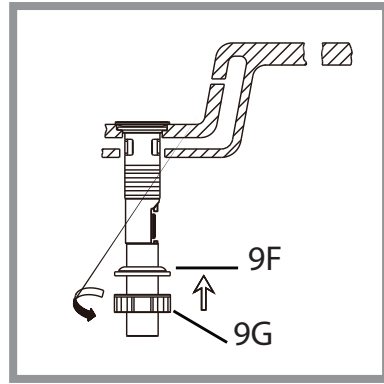
NOTE: Make sure O-rings are installed at the end of the hot & cold waterlines

Step 6: Install Drain

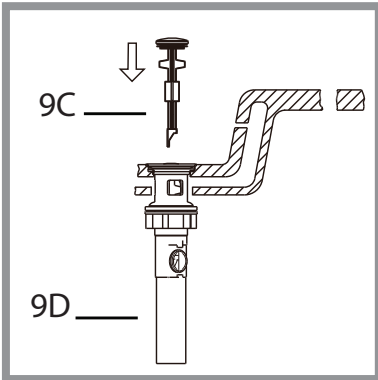




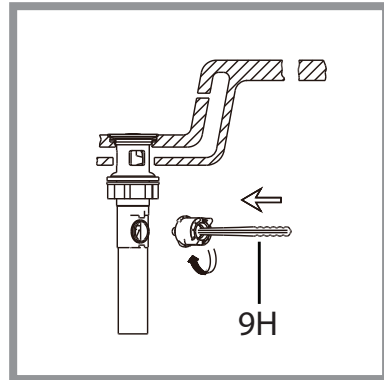
1. Place a bead of silicone around the drain opening. Insert drain body (9D), with rubber washer (9E) attached, into the drain hole



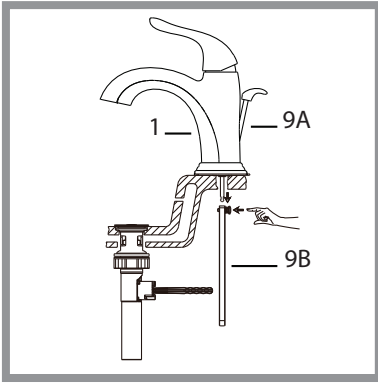
2. From underneath the countertop, attach concave washer (9F) and mounting nut (9G), and secure tightly to sink



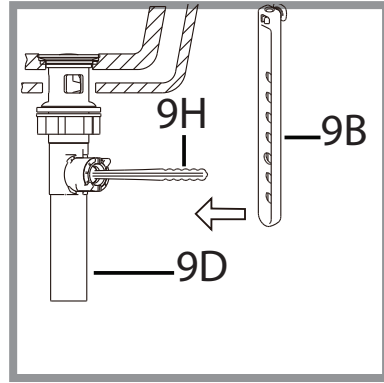
3. Insert waste stopper (9C) into drain body (9D). Make sure hole on waste stopper (9C) is aligned with drain body (9D) opening.



4. Insert drain off pole (9H) into drain body (9D) and waste stopper (9C) hole. Turn drain off pole (9H) $\frac{1}{4}$ " to the right to lock into place

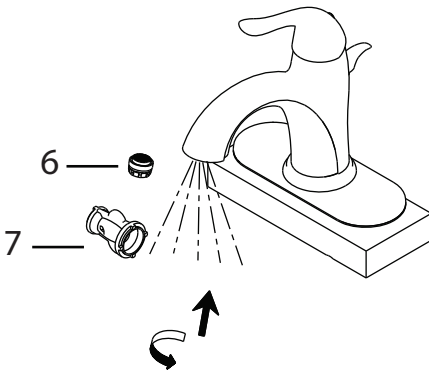


5. Insert lift pole rod (9A) through the hole in the back of the faucet body (1). From underneath, insert the lift pole rod (9A) into the lift pole extension (9B) by pressing the button on the extension and release



6. Align drain body (9D) to enable drain off pole (9H) and lift pole extension (9B) to engage. Once aligned, push lift pole extension (9B) onto drain off pole (9H)

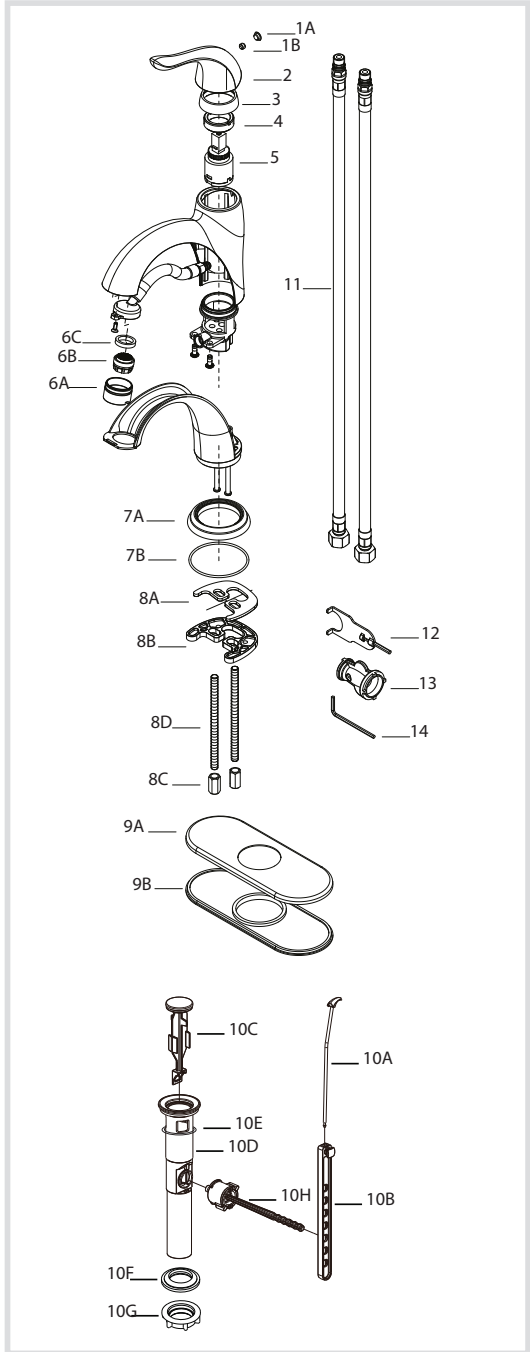
Step 7: Flush Faucet



After installing faucet and drain, remove aerator (6) with included aerator key (7). Turn water on for 30 seconds to remove any debris. Reassemble aerator (6)

Replacement Parts

1. (A) Index Button
(B) Set Screw
2. Metal Handle
3. Cartridge Cover
4. Locking Nut
5. Cartridge
6. Aerator Assembly
 - (A) Aerator Cover
 - (B) Aerator
 - (C) Washer
7. (A) Base Trim Ring
(B) Base O-Ring
8. Mounting Hardware
 - (A) Rubber Washer
 - (B) Metal Washer
 - (C) Mounting Nut
 - (D) Mounting Screws
9. Deck Plate Assembly
 - (A) Deck Plate
 - (B) Base Plate
10. Drain Assembly
 - (A) Lift Pole Rod
 - (B) Lift Pole Extension
 - (C) Waste Stopper
 - (D) Drain Body
 - (E) Rubber Washer
 - (F) Concave Washer
 - (G) Mounting Nut
 - (H) Drain Off Pole
11. Hot & Cold Waterlines
12. Cartridge Key
13. Aerator Key
14. Hex Wrench



Trouble - Shooting

If you have followed the instructions carefully and your faucet still does not work properly, take the following corrective steps:

PROBLEM	CAUSE	ACTION
Leakage under the handle	Locking nut (4) has come loose	Remove handle index button (1a). Loosen set screw (1b) with hex wrench (14). Remove metal handle (2). Unscrew cartridge cover (3) (by hand only). Tighten locking nut (4) with cartridge key (12)
Aerator drips or has inconsistent water flow pattern	Aerator is dirty or not seated properly	Unscrew aerator cover (6A) with aerator key (13) and clean out debris
Water will not shut off completely	Cartridge may need to be adjusted or replaced.	Remove handle index button (1a). Loosen set screw (1b) with hex wrench (9). Remove metal handle (2). Unscrew cartridge cover (3) (by hand only). Unscrew the locking nut (4) with cartridge key (12). Remove ceramic disc cartridge (5). Check for cracks
Drain is leaking	Washers may be compromised or installed incorrectly	Check washers to make sure they are not cracked and they are installed correctly

Care & Maintenance

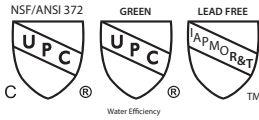
*To keep the product clean & shining, follow the steps below:

1. Rinse with clean water & dry with a soft cloth
2. Do not clean with soaps, acid, polish, abrasives, or harsh cleaners
3. Do not use cloth with a coarse surface
4. Unscrew the aerator and clean when necessary



*This installation manual is subject to change without further notice.

Codes/Standards Applicable:



NSF/ANSI 61



ASME A112.18.1M
1.2GPM 4.5L/min maximum

FAUCET WARRANTY

Kraus products are manufactured and tested to the highest quality standards by Kraus USA Inc. ("Kraus"). Kraus extends this warranty to the original purchaser for personal household use of the "Faucet" in its original location. The warranty is non-transferable.

Kraus warrants the structure and finish of the product to be free from defects in material and workmanship under normal usage for the lifetime of the product. The warranty commences from the initial date of purchase by the owner or trade professional, from an authorized Kraus dealer, through the lifetime of the original owner or end-user.

Kraus warrants the mechanical components (such as **sprayhead assembly**) of the product to be free from defects in material and workmanship under normal usage for a period of one (1) year. The warranty commences from the initial date of purchase by the owner or trade professional, from an authorized Kraus dealer, through the one (1) year term of the original owner or end-user.

Kraus warrants the mechanical component (**cartridge**) of the product to be free from defects in material and workmanship under normal usage for a period of five (5) years. The warranty commences from the initial date of purchase by the owner or trade professional, from an authorized Kraus dealer, through the five (5) year term of the original owner or end-user.

Any product reported to the authorized dealer or to Kraus as being defective within the warranty period will be repaired or replaced with a product of equal value at the option of Kraus. This warranty extends to the original owner or end-user, and is not transferable to a subsequent owner.

RESTRICTIONS

This warranty does not cover antediluvian, discontinued, or display products, whether such items are purchased at discount outlets, unauthorized dealers, and/or sold on clearance.

This warranty does not cover instances of negligence, misuse, abuse, improper installation, carelessness, accident, hard water or mineral deposits, exposure to corrosive materials, misapplication, damages caused by improper maintenance, alteration of the product, or failure to follow care or installation instructions enclosed with your product. Avoid using abrasive cleaners such as powders, bleach, ammonia, alcohol, or chlorine. Avoid using abrasive pads, steel wool, or wire brushes, as these will damage and wear down the finish.

This warranty does not apply to Products that have not been installed or operated in accordance with instructions supplied by Kraus and all applicable rules, regulations, and legislation pertaining to such installations.

This warranty does not apply unless the Kraus product is installed by a fully insured and licensed trade professional. Kraus insists that such professionals have experience in the installation of bathroom and kitchen manufactured goods.

This warranty does not cover labor charges or costs of removal and reinstallation of said product. This warranty does not allow recovery of incidental or consequential damages, such as loss of use, delay, property damage, or other consequential damages, and Kraus accepts no liability for such damages.

This warranty does not cover Marine or Outdoor Installation.

Except as otherwise provided above, Kraus makes no warranties, expressed or implied, including warranties of

merchantability and fitness for a particular purpose, or compliance with any code.

Shipping charges will be covered for the first (1) year of the warranted replacement part or product (HI, AK, and Puerto Rico shipping charges may apply). International shipping fees are not included.

COMMERCIAL WARRANTY

Kraus extends the above warranty for a period of one (1) year to purchasers of products for industrial, commercial, and business use.

All incidental or consequential damages are specifically excluded. No additional warranties, express or implied, are given, including but not limited to any implied warranty of merchantability or fitness for a particular purpose.

Some states do not allow the exclusion or limitation of incidental or consequential damages or limitations on how long an implied warranty lasts, so the above limitations or exclusions may not apply to you.

This warranty gives you specific legal rights, and you may also have other rights which vary from state to state.

If you are a homeowner please contact a Kraus Customer Service Representative at:

Kraus USA, Inc.
12 Harbor Park Drive
Port Washington, NY 11050
Toll-free 800-775-0703
Customerservice@kraususa.com

If you are a plumbing contractor or trade professional please contact a Kraus Pro Representative at:

Kraus USA, Inc.
12 Harbor Park Drive
Port Washington, NY 11050
516-801-8955
Proservice@kraususa.com

If you are an Authorized Partner please contact a Partner Support Representative at:

Kraus USA, Inc.
12 Harbor Park Drive
Port Washington, NY 11050
516-801-8954
Partnersupport@kraususa.com

In requesting warranty service, please be ready to provide:

1. Proof of purchase.
2. A description of the problem.

Download the Kraus Care & Maintenance Guide at:

<http://www.kraususa.com/maintenance>

IMPORTANT

Register Your Kraus Product

Activate Your Warranty

Access Premium Customer Support

Get Product Information

REGISTER TODAY

<http://www.kraususa.com/registration>



Kräus[®]
www.kraususa.com