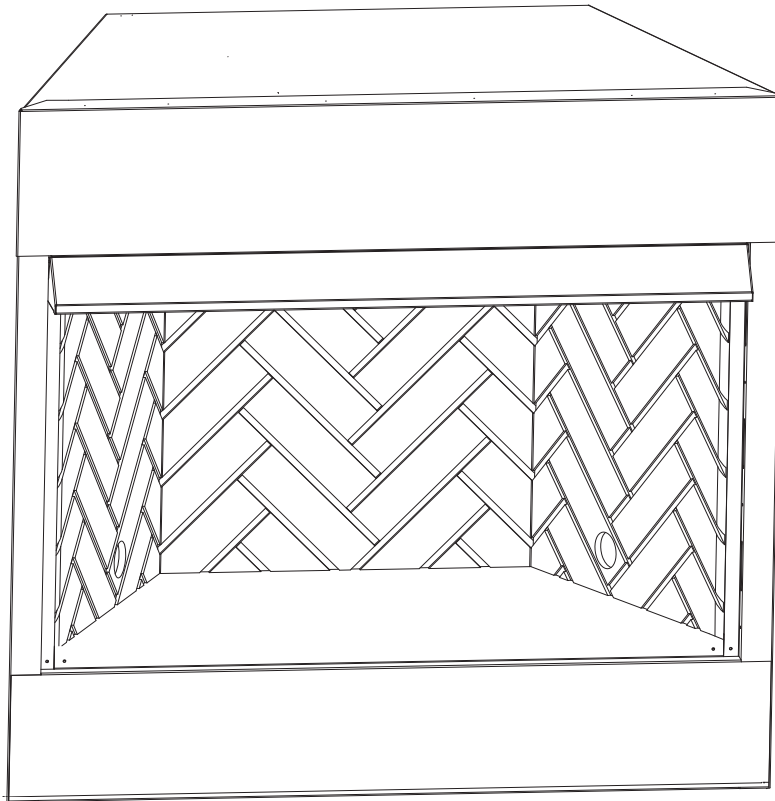


# THE CHARLESTON SERIES



VFBC32A VFBC36A VFBC42A

## Installation and Operating Manual Vent Free Universal Firebox



Z21.91 2007



FOR USE ONLY WITH A LISTED  
GAS-FIRED UNVENTED  
DECORATIVE ROOM HEATER  
NOT TO EXCEED 40,000 BTU/H.

**DO NOT BUILD A WOOD FIRE**

Carefully review the instructions supplied  
with decorative type unvented room heater  
for the minimum fireplace size requirements

DO NOT INSTALL AN APPLIANCE IN THIS  
FIREBOX UNLESS THIS FIREBOX MEETS  
THE MINIMUM DIMENSIONS REQUIRED  
FOR THE INSTALLATION

### **⚠ WARNING**

If the information in this manual is not  
followed exactly, a fire or explosion may  
result causing property damage, personal  
injury or loss of life

### **INSTALLER:**

Leave this manual with the appliance.

### **CONSUMER:**

Retain this manual for future reference.

# CONGRATULATIONS!

## INSTALLER / CONSUMER SAFETY INFORMATION

Read and save these instructions

This book contains your installation instructions and should be kept in a safe place. For you to realize all the advantages and use of the reliable service that has been engineered into your Sure Heat Manufacturing fireplace, you must carefully follow all of the instructions contained in this book regarding installation and operation of the fireplace.

These instructions should be read carefully in their entirety before beginning installation of the fireplace.

It is suggested that you wear work gloves and safety glasses to protect your hands and eyes when installing your fireplace. **NOTE:** Authorities having jurisdiction (i.e. building inspectors, fire marshals, etc.) should be consulted before installation to determine the need to obtain a permit.

These fireboxes are approved as universal fireboxes and can be paired with any **ANSI Z21.11.2** approved vent free gas log set. The vent free log manufacturer's instructions, including their required dimensional clearances for firebox size, must be followed.

Refer to the manual that is packed with the log set for operating instructions.

### General Installation Information

In planning the installation for the appliance it is necessary to determine where the unit is to be installed and whether optional accessories are desired. Gas supply piping should also be planned. The following steps represent the normal sequence of installation. Each installation is unique, however, and might require a different sequence.

1. Position firebox prior to framing or into prepared framing.
2. Make electrical connections (if desired) for blower or other line voltage options.
3. Plumb gas line. (Gas connections should only be performed by an experienced, licensed/certified tradesman).
4. Install vent-free gas log heater per the instructions provided with the vent-free gas log heater.
5. Complete finish wall material, surround and optional hearth extension to your individual taste.

### Table of Contents

<b>Safety Information</b> .....	<b>3</b>
<b>Product Features</b> .....	<b>4</b>
<b>Hearth Dimensions</b> .....	<b>5</b>
<b>Fireplace Framing Dimensions</b> .....	<b>6</b>
<b>Installation Instructions</b> .....	<b>7-14</b>
<b>Locating the Fireplace</b> .....	<b>7</b>
<b>Gas Line</b> .....	<b>7</b>
<b>Drafts</b> .....	<b>8</b>
<b>Clearances</b> .....	<b>8</b>
<b>Installing the Firebox</b> .....	<b>9-11</b>
<b>Hearth Extension</b> .....	<b>10</b>
<b>Finishing the Fireplace</b> .....	<b>11</b>
<b>Optional Junction Box Installation</b> .....	<b>12</b>
<b>Replacement Parts</b> .....	<b>13</b>
<b>Servicing</b> .....	<b>13</b>
<b>Warranty</b> .....	<b>14</b>

# SAFETY INFORMATION

## IMPORTANT

Read these instructions carefully before installing or trying to operate a vent-free gas heater in this firebox.

### **⚠ WARNING**

- **Any change to this heater or its controls can be dangerous.**
- **Improper installation or use of the heater can cause serious injury or death from fire, burns, explosion or carbon monoxide poisoning.**
- **Do NOT allow fans to blow directly into the fireplace. Avoid any drafts that alter burner flame patterns.**

1. Due to high temperatures, the appliance should be located out of traffic and away from furniture and draperies.
2. Children and adults should be alerted to the hazard of high surface temperature and should stay away to avoid burns or clothing ignition.
3. Young children should be carefully supervised when they are in the same room with the appliance.
4. Do not place clothing or other flammable material on or near the appliance.
5. Any safety screen or guard removed for servicing an appliance must be replaced prior to operating the heater.
6. Installation and repair should be done by a qualified service person.
7. To prevent malfunction and/or sooting, an unvented gas heater should be cleaned before use at least annually by a professional service person. More frequent cleaning may be required due to excessive lint from carpeting, bedding material, etc. It is imperative that control compartments, burners and circulating air passages be kept clean.
8. **CARBON MONOXIDE POISONING:** Early signs of carbon monoxide poisoning are similar to the flu with headaches, dizziness and/or nausea. If you have these signs, obtain fresh air immediately. Have the heater serviced as it may not be operating properly.
9. The installation must conform with local codes or, in the absence of local codes, with the National Fuel Gas Code, ANSI Z223.1/NFPA54.
10. This unit complies with ANSI Z21.91.2007 ventless firebox enclosures for gas-fired unvented decorative room heaters.
11. Do not install heater in a bathroom or bedroom.
12. Correct installation of the logs, proper location of the heater, and annual cleaning are necessary to avoid potential problems with sooting. Sooting, resulting from improper installation or operation, can settle on surfaces outside the fireplace. See log placement instructions for proper installation.
13. Avoid any drafts that alter burner flame patterns. Do not allow fans to blow directly into fireplace. Do not place a blower inside burn area of firebox. Ceiling fans may create drafts that alter burner flame patterns. Sooting and improper burning will occur.
14. **⚠ CAUTION** Candles, incense oil lamps, etc. produce combustion byproducts including soot. Vent-free appliances will not filter or clean soot produced by these types of products. In addition, the smoke and/or aromatics (scents) may be burned in the vent-free appliance which can produce odors. It is recommended to minimize the use of candles, incense, etc. while the vent-free appliance is in operation.
15. An unvented gas-fired heater uses air (oxygen) from the room in which it is installed. Provisions for adequate combustion and ventilation air must be provided. See installation guidelines.
16. Keep room area clear and free from combustible materials, gasoline and other flammable vapors and liquids.
17. Unvented gas heaters are a supplemental zone heater. They are not intended to be a primary heating appliance.
18. Unvented gas heaters emit moisture into the living area. In most homes of average construction, this does not pose a problem. In houses of extremely tight construction, additional mechanical ventilation is recommended.
19. During manufacturing, fabricating and shipping, various components of this appliance are treated with certain oils, films or bonding agents. These chemicals are not harmful but may produce annoying smoke and smells as they are burned off during the initial operation of the appliance, possibly causing headaches, or eye or lung irritation. This is a normal and temporary occurrence. The initial break-in operation should last two to three hours with the burner at the highest setting. Provide maximum ventilation by opening windows or doors to allow odors to dissipate. Any odors remaining after this initial break-in period will be slight and will disappear with continual use.
20. Never burn solid fuels in a fireplace where an unvented room heater is installed.
21. Always have a fireplace screen in place when the appliance is in operation, and unless other provisions for combustion air are provided, the screen shall have an opening(s) for induction of combustion air.
22. Do not fill spaces around the firebox with insulation or other materials. These spaces must be maintained to prevent the firebox from coming in contact with combustible materials.

# PRODUCT FEATURES

## **⚠ WARNING**

**Do not attempt to burn wood, solid fuels, vented gas log sets, or any other combustible in this unvented firebox. Also, do not install a vent-free gas log set in this firebox if the minimum clearance and height requirements of the log set are too large for this firebox.**

You have purchased a vent-free firebox. This installation manual will enable you to obtain a safe, efficient and dependable installation of your vent-free firebox system.

Do not alter or modify the firebox or its components under any circumstances. Any modifications or alteration of the firebox system, including but not limited to the firebox and accessories, may void the warranty, listings and approvals of this system, and could result in an unsafe and potentially dangerous installation.

## **Before You Start**

Carefully inspect the contents for shipping damage. If any parts are missing or damaged, immediately inform the dealer from whom you purchased the appliance. Do not attempt to install any part of the appliance unless you have all the parts in good condition.

## **Make Sure That You Have Received All Parts**

Check your packing list to verify that all listed parts have been received. You should have the following:

1. Vent-Free Gas Firebox
2. Mantel Guard (Hood)
3. Installation and Operating Manual
4. Six (6) sheet metal screws for Mantel Guard/Hood and Screen Mesh Rod installation.
5. Two (2) Screen Mesh Rods, and Two (2) Screen Mesh Panels

## **Items You Will Need For Installation**

### **Tools**

- Flat Head Screwdriver
- Hammer
- Tee Joint
- Level
- Measuring Tape
- Chisel
- Pliers
- Square
- Saw and/or saber saw
- Electric drill and bits
- Pipe wrench
- Piping complying with local codes
- Pipe sealant approved for use with propane/L.P.G. (resistant to sulfur compounds)


### **Building Supplies**

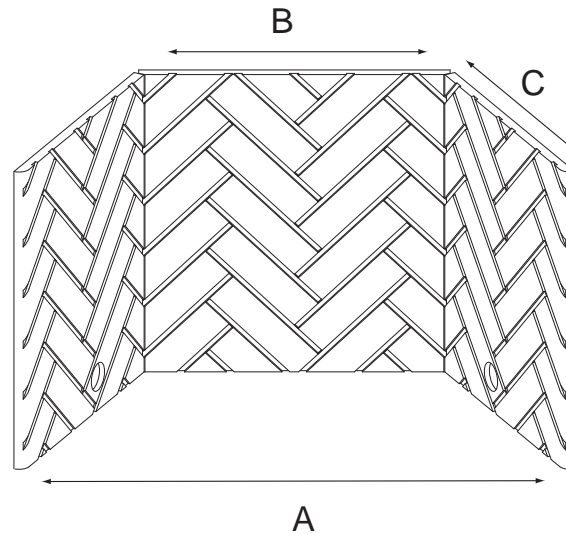
- Framing materials
- Wall finishing materials
- Caulking material (non-combustible)
- Fireplace surround materials (non-combustible)
- "J" Box accessory (If there is a chance a blower or other line-voltage accessory will be used in the future)

### **Notice:**

Illustrations shown in this manual reflect "typical" installations with nominal dimensions and are for design and framing reference only. Actual installations may vary due to individual design preferences. However, always maintain minimum clearances to combustible materials and do not violate any specific installation requirements.

# SPECIFICATIONS

<b>VFBC32A, VFBC 36A, VFBC 42A</b>
Design Certified 
Certified To Z21.91 Ventless Firebox Enclosures For Gas Fired Decorative Type Unvented Room Heaters
For use with Any ANSI Z21.11.2 Unvented Gas Log Sets (Providing the required firebox size does not exceed the dimensions of this enclosure)



**Fig. 1: Firebox Internal Dimensions**

## Hearth Dimensions

<b>MODEL</b>	<b>Front Width (Brick to Brick) A</b>	<b>Back Width (Brick to Brick) B</b>	<b>Hearth Depth C</b>
VFBC32A	32" (812.8 mm)	18.5" (469.9 mm)	16.75" (425.5 mm)
VFBC36A	36" (914.4 mm)	22.5" (571.5 mm)	16.75" (425.5 mm)
VFBC42A	42" (1066.8 mm)	27.5" (698.5 mm)	16.75" (425.5 mm)

# FRAMING SPECIFICATIONS

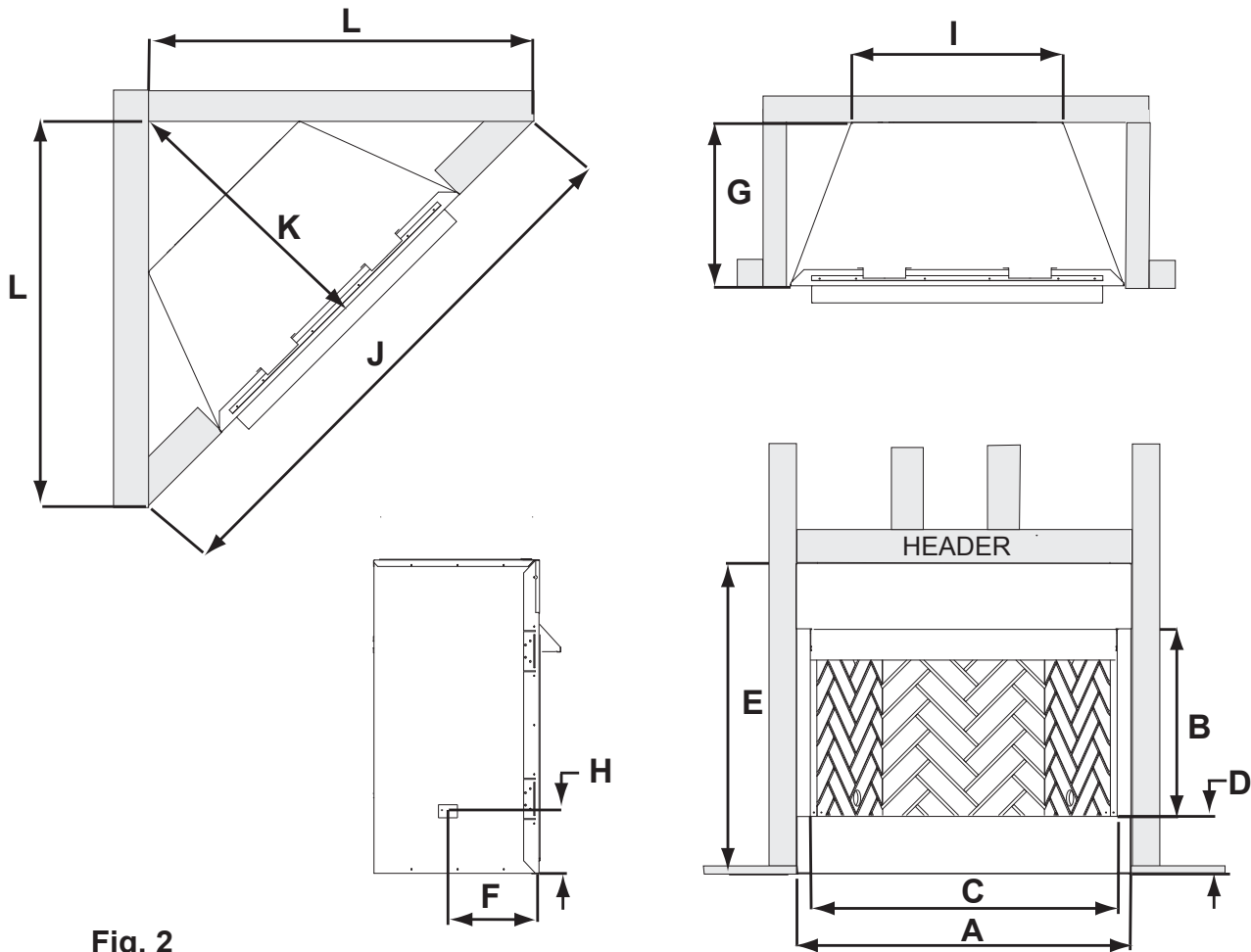


Fig. 2

	VFBC 32A	VFBC 36A	VFBC 42A
A	36 1/4"	40 1/4"	46 1/4"
B	21 1/4"	21 1/4"	21 1/4"
C	32"	36"	42"
D	6"	6"	6"
E	34 1/4"	34 1/4"	34 1/4"
F	9"	9"	9"
G	20 22/25"	20 22/25"	20 22/25"
H	6 3/8"	6 3/8"	6 3/8"
I	21 22/25"	25 22/25"	31 22/25"
J	63 1/2"	68"	74 1/2"
K	31 3/8"	34"	37"
L	44.0"	48 5/16"	52 5/8"

# INSTALLATION INSTRUCTIONS

## Locating the Fireplace

Figure 3 shows some of the many ways your fireplace may be installed. Consider the traffic pattern in your room and the location of doors and windows. Moving air from ceiling fans, open doors and heat registers may cause the flames to soot. If a disturbance is found that affects the flames, it must be eliminated by turning off the ceiling fan, closing the door or closing or moving the heat register. A corner location may be best where space is limited.

Your fireplace weighs no more than some of your fine furniture. If the fireplace is located near a load bearing wall, additional supports to the foundation will not be necessary.

**HEAVY FACINGS SUCH AS BRICK, STONE, ETC. MAY REQUIRE ADDITIONAL FOUNDATION SUPPORT. ALTHOUGH THIS UNIT MAY BE INSTALLED ON COMBUSTIBLE SURFACES (SUCH AS WOOD) IT MAY NOT BE INSTALLED ON CARPET OR VINYL.**

## Gas Line Installation

**⚠ WARNING** Plumbing connection should only be performed by a qualified, licensed plumber. Main gas supply must be off when plumbing gas line to fireplace or performing service.

Consult all local codes. All gas piping must be installed to comply with local codes, or in the absence of local codes, with the latest edition of the *National Fuel Gas Code ANSI Z223.1/NFPA54*.

The ½" gas line may enter either from the left side or the right side of the firebox. Gas line access holes are provided on both sides of the firebox.

Install a ½" gas line through the knock-out hole provided in the firebrick. Locate the recessed knock-out on the side you have chosen. Using a hammer and chisel or a large flathead screwdriver, firmly tap the center of the knock-out recess until it has broken through. Carefully continue to use the chisel to "clean-up" the edges of the hole.

**CAUTION:** Do not use excessive force to remove the knock-out. Excessive force may damage the firebrick panel.

Outside the firebox, the gas line should connect to a gas shut-off valve recessed flush into the wall or floor. The valve should be operated by a removable valve key for safety.

An ANSI approved manual shut-off valve, union and plugged ½" NPT pressure tapping point must be installed upstream of the heater.

A sediment trap may be upstream of the heater to prevent moisture and contaminants from passing through trap to the heater controls and burners. Failure to do so could prevent the heater from operating reliably. Consult all applicable codes.

An external regulator must be used on all propane/L.P.G. appliance installations, in addition to the regulator fitted to the heater, to reduce the supply line pressure to 13" w.c. (maximum).

Any copper tubing used to supply propane/L.P.G. from the tank must be internally tinned.

**NOTE:** When connecting propane/L.P.G. vent-free room heaters, you must use pipe sealant resistant to propane/L.P.G.

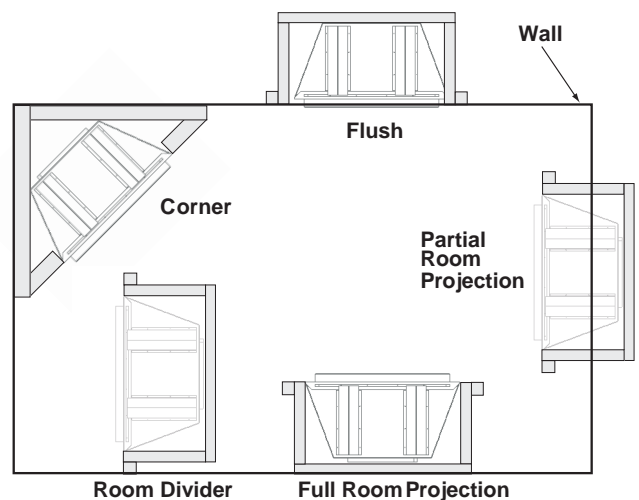
**IMPORTANT:** Hold heater regulator with a wrench to prevent movement when connecting to inlet piping.

Check Gas Type: The gas supply must be the same as is stated on the heater's rating plate. If the gas supply is different, **DO NOT INSTALL THE HEATER.** Contact our dealer to obtain the correct model.

**⚠ WARNING** Connecting directly to an unregulated propane/L.P.G. tank can cause an explosion.

After completing connection, test all gas joints from the gasmeter to the gasheater regulator for leaks by using either a soap and water solution, or an electronic gas leak detector. **DO NOT USE AN OPEN FLAME!**

**⚠ WARNING** Do not connect directly to natural gas 1/2 PSI or 2 PSI systems. Always make sure natural gas pressure is regulated (10.5 w.c. maximum) before operating unit.



**Fig. 3: Locating the Fireplace**



# INSTALLATION INSTRUCTIONS

## Drafts

Do not locate the fireplace in high traffic areas or areas exposed to high drafts and winds. Locate the fireplace away from furniture and draperies.

## Fireplace Clearances

The fireplace may be placed directly on a combustible floor, against a combustible wall at marked clearances or on a raised wooden platform.

If the fireplace is to be installed on a raised wooden platform, the platform must be a continuous level surface. The fireplace must be secured in place so it cannot shift positions. The nailing flanges on the sides of the firebox make securing it to the framing easy. They were designed to allow the installation of wallboard or plywood flush with the face of the fireplace.

Only the header (Fig. 2, page 6) may rest on top of the firebox.

When the fireplace is installed over carpeting, vinyl tile or any combustible material other than wood flooring, it must be installed on a metal or wood panel extending its full width and depth. Alternatively, the carpeting, vinyl, tile, etc., may be removed from beneath the fireplace before installing.

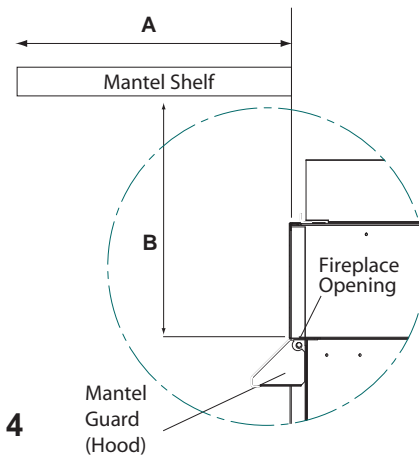
**COMBUSTIBLE MATERIALS MUST NOT BE INSTALLED OVER OR TOUCH ANY BLACK PAINTED SURFACE ON THE FRONT FACE OF FIREBOX.**

## Clearances

To ensure a safe installation the following instructions must be carefully observed.

1. Sidewall Clearances: Clearances from the side of the fireplace opening to any combustible wall should not be less than 9".
2. Ceiling Clearances: The ceiling height should not be less than 42" from the top of the fireplace opening.
3. Mantel Clearances:
  - a) Noncombustible materials used in this installation such as slate, marble, tile, etc. must comply with local, state, national codes and manufactures specifications. Do not install a combustible material behind sheet metal. Failure to use noncombustible materials above the opening as specified in these instructions may cause damage to the materials used and create a fire hazard.

- b) A heat reducing mantel guard is shipped with the fireplace. Use of this mantel guard is required in order to reduce mantel heights as shown in figure 5. When the mantel guard is installed, a combustible mantel piece may project 2" from the wall at 6" above the fireplace opening. A 6" mantel projection at 13" above the fireplace opening and a 10" projection at 22" above the opening. (Fig 4 and 6)
- c) If the fireplace has no mantelpiece, then the heat resistant material must extend upwards a distance of at least 9" from the fireplace opening. (Fig. 4)

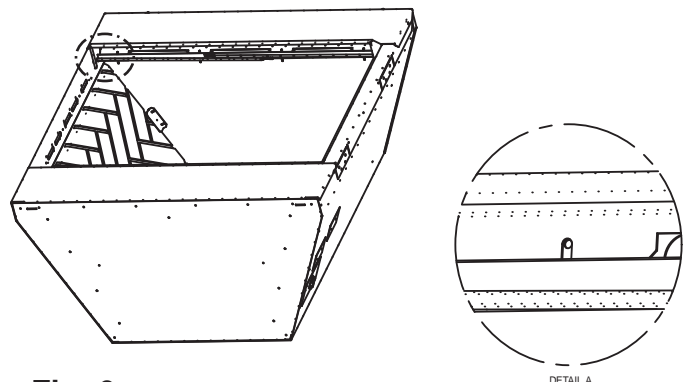


**Fig. 4**

**Clearance to Combustible Mantel with Mantel Guard (Hood) in place.**

Mantel Depth (A)	2"	4"	6"	8"	10"
Clearance Fireplace Opening (B)	6.5"	10"	13"	17"	22"

**Fig. 5:Chart**



**Fig. 6**



# INSTALLATION INSTRUCTIONS

To install the required mantel guard/hood you will need a flathead screwdriver. The mantel guard has a series of holes along the top edge. Loosen the screws in the upper channel (top front edge) of the firebox. Line up slots in mantel guard with holes in the upper channel of the firebox. The mantel guard will fit tightly in the top front edge of the fireplace opening. Once guard is secure tighten all screws.

**⚠ WARNING** The required firebox Mantel Guard (Hood) that is supplied with this unit from Sure-Heat (the manufacturer) must not be modified or replaced with any mantel guard (hood) that /which may be provided by the manufacture or supplier of the decorative room heater.

**Floor Clearances:** No clearance is required if the appliance is installed per these instructions on a non combustible or wood floor.

## Installing the Firebox

**Installation must conform with local codes, or in the absence of local codes, with the National Fuel Gas Code, ANSI Z223.1/NFPA 54.**

This list of specific instructions will help you make certain that every installation operation is done correctly. Complete the installation steps in the sequence shown.

**LOCAL BUILDING CODES SHOULD BE CONSULTED IN ALL CASES AS TO THE PARTICULAR REQUIREMENTS CONCERNING THE INSTALLATION OF FACTORY BUILT FIREPLACES.**

Select the location for the fireplace by taking into consideration the factors previously outlined in the Locating the Fireplace section of this manual.

### Step 1: Framing the Firebox

The width of the framed openings must conform with the dimensions listed in the chart located in Fig. 2 on Page 6.

The entire fireplace can be elevated above the floor to achieve a raised hearth effect. This can be done by adding a small platform to achieve the desired height.

### Step 2: Install the Firebox

Install the firebox into the framed opening by setting it directly in front of the opening and sliding it into the proper position.

### Step 3: Level the Firebox

Check the level of the firebox on the top edge of the fireplace face. Shim if necessary.

### Step 4: Secure the Firebox

Nailing flanges are supplied with the fireplace to level the box and secure it firmly in place; Bend the nailing flanges from the sides and top of the fireplace as shown in Figure 7.

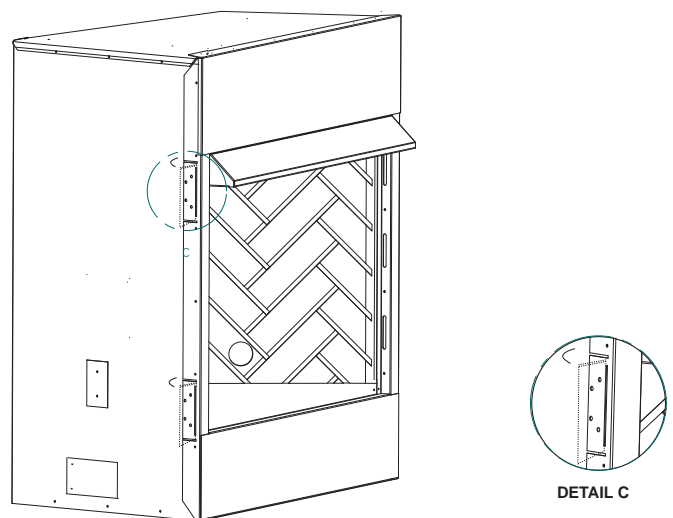
Note: The nailing flanges have two (2) sets of holes to allow for adjustment for 1/2" or 5/8" offset of the face of the unit. When installing the nailing flanges, choose the set of holes on the nailing flange that fit with your application.

### Step 5: Gas Piping and Connection

The gas piping must be installed in accordance with local codes or, in the absence of local codes, in accordance with the National Fuel Gas Code, ANSI Z223.1/NFPA 54, latest edition.

Piping should be tested for leaks prior to final wall installation. Test for leaks, using a soap and water solution or any acceptable solution or mechanical gas leak detector, after completing the connection.

**DO NOT USE AN OPEN FLAME!**



**Fig.7**

# INSTALLATION INSTRUCTIONS

## Fireplace Screens

Fireplace screens, hanging rods and necessary hardware are packed with the Mantel Guard/Hood. These screens **MUST** be installed on the fireplace for safe operation.

1. Remove packing and lay screens flat.
2. Insert Screen Mesh Wire Rods into the small rings at the top of the Screen Mesh Panels.
3. Insert one of the Screen/Rod assemblies into the hole at end of the Mantel Guard/Hood (either end), start with the rear hole. The rod will pass through the Mantel Guard/Hood and then through the wall of the inner firebox (See Fig. 8).
4. Locate the corresponding hole(Rear Hole), near the center of the top pannel of the inner firebox, and install a provided sheet-metal screw through the hole in the Screen Mesh Wire Rod (see Fig. 8).

**Note:** The end of the rod will curve upward to allow a gap between the rod and the inner top.

5. Repeat step 3 and 4 on the opposite side of the firebox opening.

**Note:** the Screen and Rod assemblies will overlap at the center of the opening (See Fig. 8).

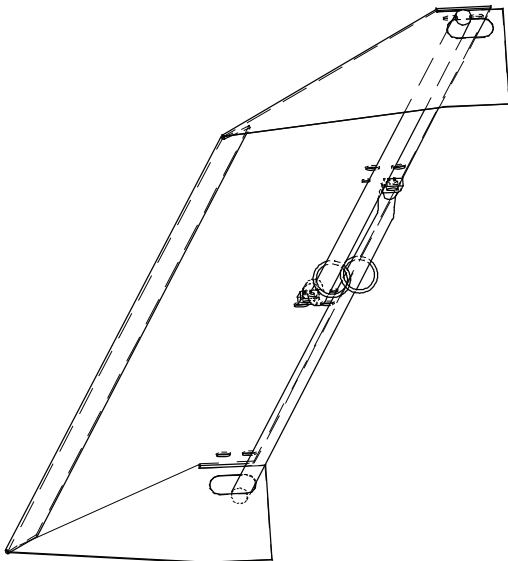


Fig. 8

## Hearth Extension

An optional hearth extension may be used, but is not required for these fireboxes.

A raised hearth extension may be used as shown in Figure 9.

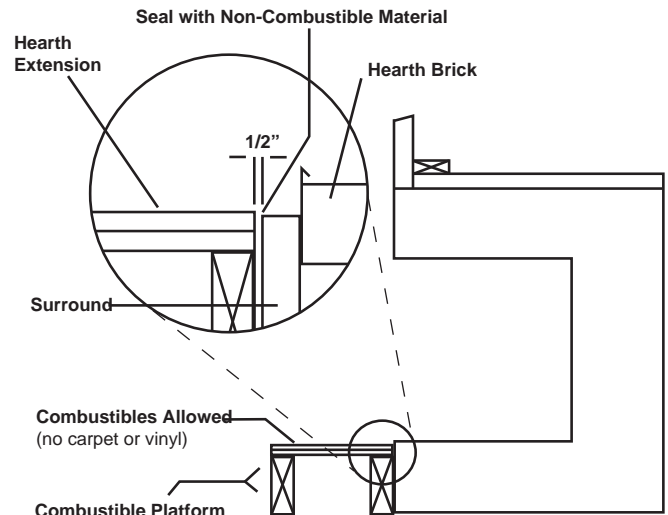


Fig. 9

# INSTALLATION INSTRUCTIONS

## Step 6: Optional Procedure for Cold Climate Installations

The insulation and sealing of the enclosure around the fireplace is very important in cold climates. If the enclosure is insulated and sealed properly, you can avoid future cold air problems. The time taken to install the firebox correctly is well worthwhile. The following steps are to stop potential cold air problems.

### Insulation of the Fireplace Enclosure

When in a chase or an outside wall, the fireplace enclosure should be insulated like any other wall of your home. Insulation should be installed on the outside wall(s) and the wall around the fireplace. Do not use Kraft (paper-faced) insulation.

### Insulate to Seal Under the Fireplace

Insulating under the fireplace is beneficial for installations on a concrete slab in cold weather climates. The fireplace should be placed on insulating board. It is important that a hard, rigid surface be maintained, so do not use fiberglass insulation for this purpose.

**⚠ CAUTION** WHEN INSTALLING A FIREBOX IN AN INSULATED ENCLOSURE (CHASE), BE SURE TO MAINTAIN ALL MARKED AIR SPACES. DO NOT USE KRAFT (PAPER-FACED) INSULATION AROUND THE FIREBOX.

### Seal Seams

Sealing the seams of the fireplace is beneficial for installations in cold weather climates where the outer wall meets the bottom pan and the front face. Also seal between the fireplace and finishing materials. Use high temperature caulk. Refer to Fig. 10 for details of sealing spaces between the firebox and finishing materials.

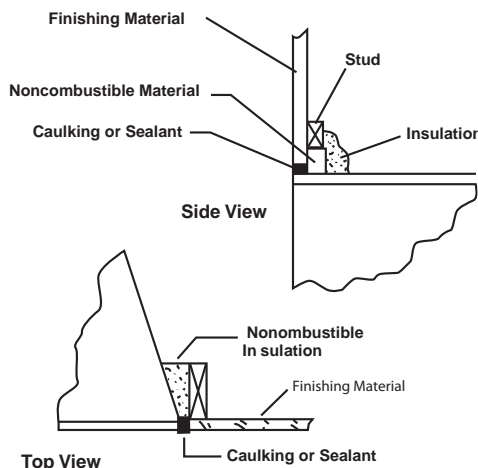


Fig. 10

## Finishing the Fireplace

There are a wide variety of finishing materials available for your fireplace from formal wall treatments with marble and mantles to rustic wood paneling, stone or brick.

**IT IS IMPORTANT THAT THE BLACK FACE OF THE FIREPLACE NOT BE COVERED WITH ANY TYPE OF COMBUSTIBLE MATERIAL.**

Noncombustible facing materials such as marble, brick or ceramic tile may overlap the black face of the fireplace up to the opening on either side of the fireplace. Seal all joints between the black fireplace face and the wall covering with a heat-resistant material such as rock wool insulation or mortar. Be sure to use high temperature adhesive or mortar when anchoring brick, stone or tile to the face of the fireplace. Check to see whether man-made brick and stone are made of noncombustible materials before using them on the face of the fireplace. Some of these products contain combustible materials. Combustible wall coverings such as paneling or wallboard may not overlap the black face of the fireplace. The space between the wall covering and the fireplace should be sealed with a heat-resistant material such as rock wool insulation or mortar.

**NOTE:** An "L" shaped steel lintel must be installed across the top of the firebox opening where facing materials such as brick or stone are used on the face of the firebox. It acts as a support/firestop. It should be attached to the face of the fireplace with screws and sealed to the fireplace with a heat-resistant sealer

**⚠ WARNING** These vent free fireplace models are not to be used with any TYPE or MODEL of glass doors.

**⚠ WARNING** Fireplace screens must be in the closed position across the entire hearth opening during the operation of the decorative room heater.

**NOTE:** Information on provisions for adequate combustion and ventilation air are located in the unvented room heaters installation instructions.

# INSTALLATION INSTRUCTIONS

## Optional Electrical Junction Box JB-1

If installation of an accessory blower, or other “line-voltage” powered accessory is planned, you should install the “J”- Box accessory (Included with BL-101) and wiring at the time of fireplace installation.

**IT WILL NOT BE PRACTICAL TO INSTALL THIS LATER!**

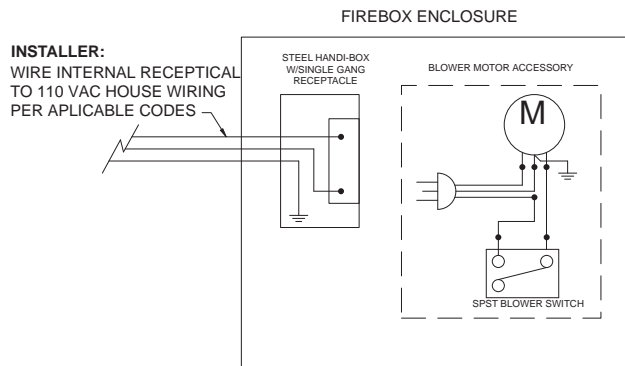
Wiring should be connected at a customer provided junction box, outside the firebox.

### Electrical Services

If an electrical supply of 120V is being roughed in to the fireplace junction box to provide for future installation of the optional blower kit, the wiring should be connected to the internal junction box kit (NOT PROVIDED).

### **NOTE: A FEW BASIC SAFETY RULES BEFORE YOU START**

1. All electrical connections (Fig. 11) are to be made in accordance with CSA Standard C22.1 Canadian Electrical Code part 1 or with the National Electrical Code, ANSI/NFPA 70 (latest edition) and/or in accordance with local codes.
2. Make sure you have and are using/wearing proper personal safety devices such as but not limited to gloves, safety eye glasses/eye protection .
3. Check local building codes before installation of the firebox and blower kit.
4. All wiring must be installed and/or inspected as necessary to comply with the local authority having jurisdiction.



VFBC(A) BLOWER WIRING DIAGRAM, ALL SIZES

Fig. 11

## Junction Box Wiring (Optional)

1. Remove (2) J-box cover retaining screws from either side of the firebox (See Fig. 12).
2. Remove J-Box opening cover plate
3. Attach household 110 VAC supply wire to Receptacle.
4. Tighten Cable Clamp, install Receptacle and Cover
5. Re-install J-box Assembly into Fireplace (See Fig. 13 - 14).



Fig. 12



Fig. 13

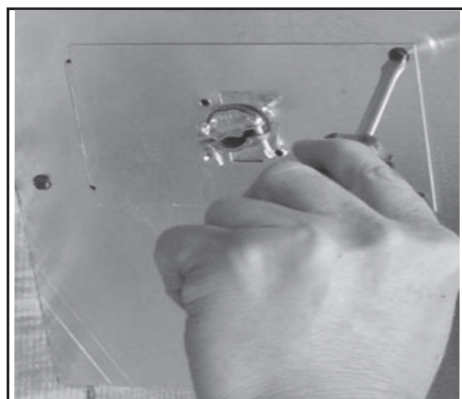
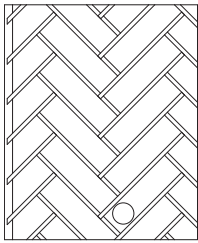
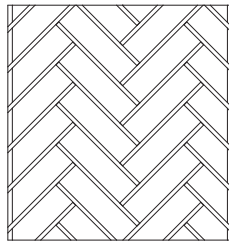


Fig. 14

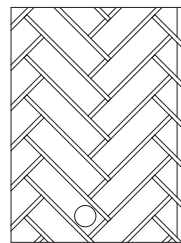
# PARTS AND SERVICING



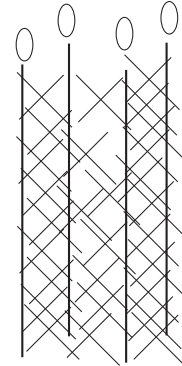
1



2



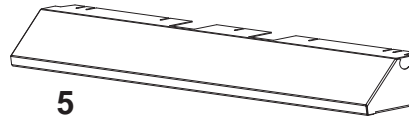
3



6



4



5

ITEM	DESCRIPTION	PART NUMBER		
		VFBC32A	VFBC36A	VFBC42A
1	Firebrick Left	23321102	23361102	23421102
2	Firebrick Middle	23321202	23361202	23421202
3	Firebrick Right	23361302	23361302	23361302
4	Rod, Screen (2)	20323001	20363001	20363001
5	MantelGuard (Hood)	23321402	23361402	23421402
6	Screen, Mesh (2)	22362001	22362001	22362001

Contact Sure Heat Manufacturing for questions concerning prices and policies covering replacement parts. Parts may be ordered through your Sure Heat distributor or dealer.

You will need the correct description, part number and model number of the appliance when ordering replacement parts.

Should you need additional information beyond what your dealer can furnish, contact:

**Sure Heat Manufacturing**  
(800) 229-5647

## Servicing

Repair and replacement work should only be done by a qualified service person.

Always shut off the gas supply and make sure the appliance is cool before beginning any service operation.

Always check for gas leaks after servicing.

**[www.sureheat.com](http://www.sureheat.com)**

# NOTES:

---

# NOTES:

---



# LIMITED LIFETIME WARRANTY

Limited Warranty shall apply to the original purchaser at the original installation point only

The following components are warranted for life to the original owner, subject of proof of purchase: Firebox, Combustion Changer, Heat Exchanger.

General Warranty: This Limited Lifetime Warranty will be void if the appliance is not installed by a qualified installer in accordance with the installation instructions. The Limited Lifetime Warranty will also be void if the appliance is not operated and maintained according to the operating instructions supplied with the appliance, and does not extend to (1) firebox assembly damage by accident, neglect, misuse, abuse, alteration, negligence of others, including the installation thereof by unqualified installers, (2) the costs of removal, reinstallation or transportation of defective parts on the appliance, or (3) incidental or consequential damage. All service work must be performed by an authorized service representative.

This warranty is expressly in lieu of other warranties, express or implied, including the warranty of the merchantability of fitness for the purpose and of all other obligations or liabilities. Sure Heat Mfg. Co. does not assume for it any other obligations or liabilities in connection with the sale or use of the appliance. In states that do not allow limitation on how long an implied warranty lasts, or do not allow exclusion of indirect damage, those limitations of exclusions may not apply to you. You may also have the additional rights not covered in this Limited Lifetime Warranty.

Sure Heat Mfg. Co. reserves the right to investigate any and all claims against the Limited Lifetime Warranty and decide upon method of settlement.

All costs for removal and reinstallation are the expressed responsibility of the purchaser.

For repair or replacement of a defective part or parts, contact our customer service department at 1-800-229-5647. You will be asked to provide valid warranty registration, proof of purchase and model number.

Purchased From: \_\_\_\_\_ Date: \_\_\_\_\_

Size:  VFBC32A  VFBC36A  VFBC42A

Name \_\_\_\_\_ Date: \_\_\_\_\_ Phone ( ) \_\_\_\_\_

Address \_\_\_\_\_

City \_\_\_\_\_ State \_\_\_\_\_ Zip \_\_\_\_\_

E-mail \_\_\_\_\_

If you have other questions, please contact Customer Service Hotline

**SHM International 3140 Moon Station Road, Kennesaw GA 30144**

**(800) 229-5647**

**RMH-130-VFFBA  
Rev. C  
08/21/2015**