

Owners Manual



5BI48+OLK202
(wet location)
N.W. : 10.00 kgs.
G.W. : 11.00 kgs.



5CE52+OLK221
(wet location)
N.W. : 10.00 kgs.
G.W. : 11.00 kgs.



4PH52+OLK202
(damp location)
N.W. : 10.00 kgs.
G.W. : 11.00 kgs.



5CH56+LK701
(indoor location)
N.W. : 10.00 kgs.
G.W. : 11.00 kgs.



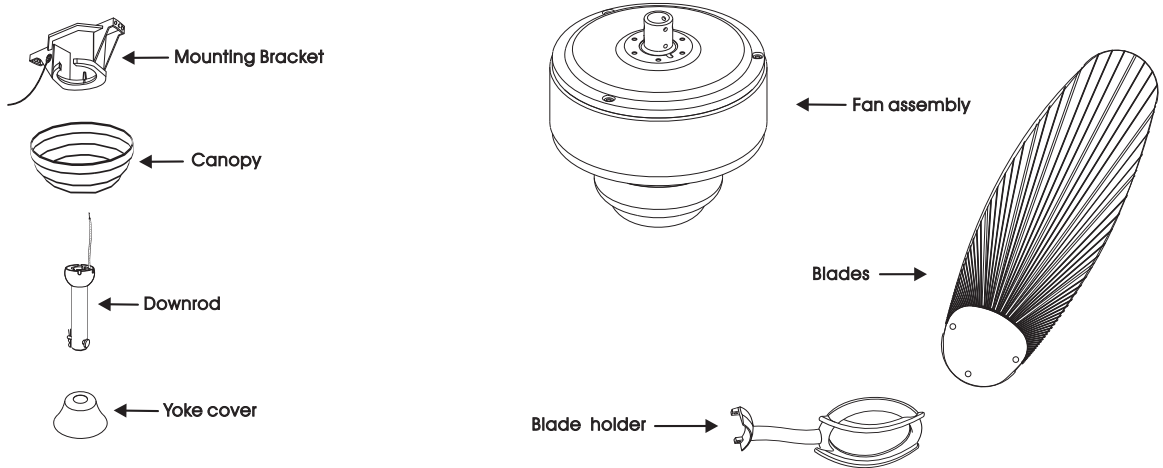
Warning : Read and follow these instructions carefully and be mindful of all warnings shown throughout.

READ AND SAVE THESE INSTRUCTIONS

WARNING : TO REDUCE THE RISK OF FIRE, ELECTRICAL SHOCK, OR INJURY TO PERSONS, PLEASE OBSERVE THE FOLLOWING :

1. To ensure the success of the installation, be sure to read the instructions and review the diagrams thoroughly before beginning.
- 2]. To avoid possible electric shock, be sure electricity is turned off at the main power box before wiring. All electrical connections must be made in accordance with local codes, ordinances and/or the National Electric Code. If you are unfamiliar with the methods of installing electrical wiring and products, secure the services of a qualified and licensed electrician as well as someone who can check the strength of the supportive ceiling members and make the proper installations and connections.
- 3]. Make sure that your installation site will not allow rotating fan blades to come in contact with any object. Blades should be at least 7 feet from floor when fan is in operation.
- 4]. If possible, mount ceiling fan on a ceiling joist - the joist must be able to support the motion and weight of the moving fan. If the fan will be mounted on a ceiling outlet box, a 4" x 2-1/8" deep METAL octagon box is required ; one UL listed as " suitable for fan support ". The box and its supporting members must not be able to twist or work loose. DO NOT USE PLASTIC BOXES. Installation on a concrete ceiling should be performed by qualified personnel.
- 5]. Blades should be attached after motor housing is hung and in place. Fan motor housing should be kept in carton until ready to be installed to protect its finish. If you are installing more than one ceiling fan, make sure that you do not mix fan blade sets.
- 6]. After making electrical connections, spliced conductors should be turned upward and pushed carefully up into outlet box. The wires should be spread apart with the grounded conductor and the equipment - grounding conductor on one side of the outlet box and the " HOT " wires on the other side.
- 7]. Electrical diagrams are for reference only. Light kits that are not packed with the fan must be UL listed and should be installed per the light kit's installation instructions.
- 8]. After fan is completely installed, check to make sure that all connections are secure to prevent fan from falling and/or causing damage or injury.
- 9]. The fan is ready for operation after installation. The bearings are adequately lubricated. No additional lubricating is necessary.
- 10]. The fan must be turned off and stopped before reversing fan direction.
- 11]. This fan is suitable for wet or damp or indoor location - pls refer to cover page.

1. Unpack and inspect fan carefully to be certain all contents are included.



2.
Turn off power at breaker box to avoid possible electrical shock.

3.
Use metal outlet box suitable for fan support. Secure outlet box directly to the building structure using wood screws (included). Outlet box must support 40 lbs min.

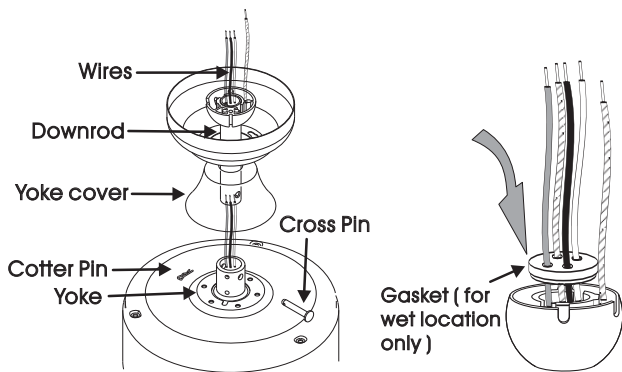
Outlet Box

Mounting Bracket

4.
Install mounting bracket to Outlet box in ceiling using washers and the mounting screws provided with the outlet box.

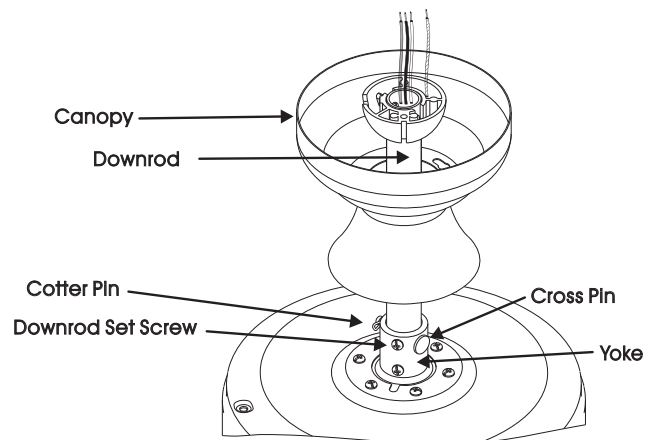
Do not use existing mounting bracket, replace it with new mounting bracket from box.

5. Yoke & Downrod Assembly



(1)
Feed motor lead wires through yoke cover, canopy and insert downrod into yoke.

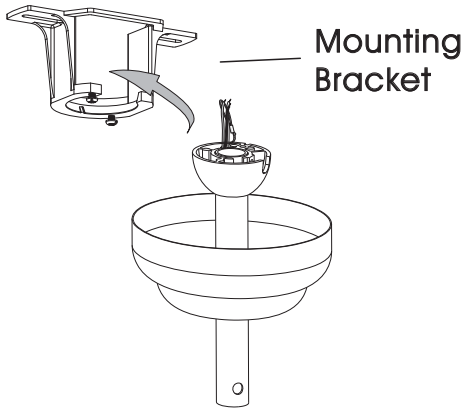
And make sure the gasket (for wet location only) on top of ball is properly inserted for effective water proofing.



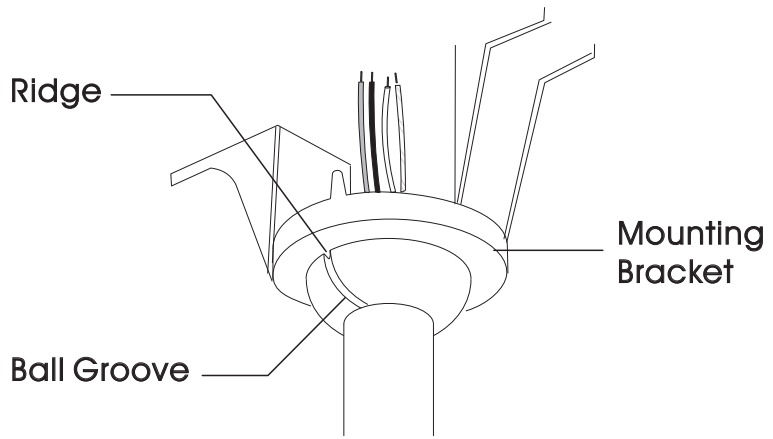
(2)
Insert the cross pin through yoke & downrod and secure with cotter pin.

(3)
Tighten both downrod set screws to further secure downrod, then pull down the yoke cover to cover yoke.

6. Hanging the fan



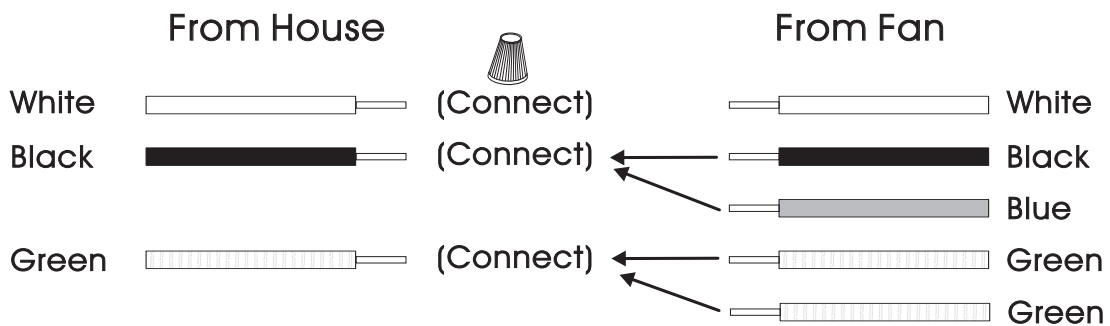
Lift fan assembly onto mounting bracket.



Carefully lift fan assembly onto mounting bracket. Rotate fan so that the groove on the ball engages the ridge in the mounting bracket.

7. Making wire connection

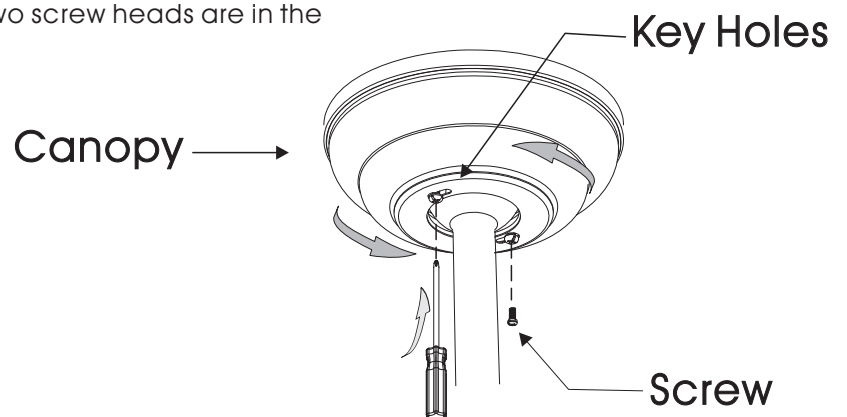
Follow diagram below and make sure that all exposed wires are secured inside wire nuts.
 Note : Wires from house may vary in color and may not include ground wire (green). After wiring is completed, gently push wires into junction box with nuts pointing upward.



Secure with twist - lock wire nuts (Included).

8. Install the canopy

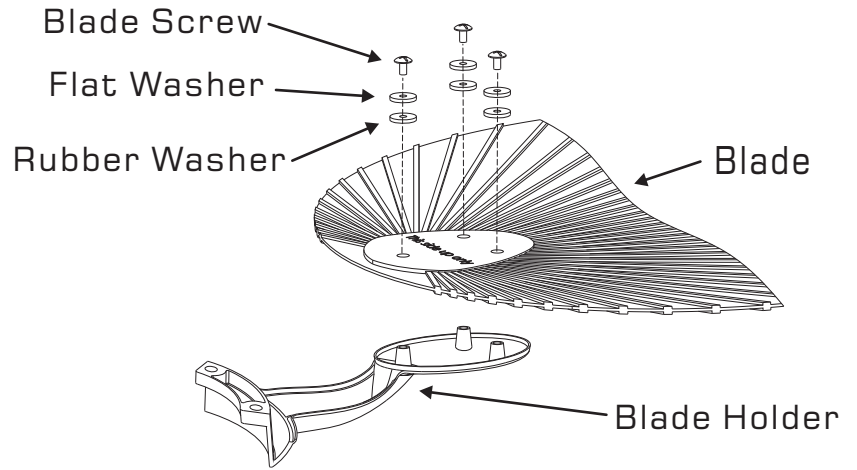
1. Push up the Canopy until the two screws on mounting bracket are engaged with Key Holes in canopy.
2. Rotate the canopy slightly until the two screw heads are in the small end of the Key Holes.
3. Tighten both screws.



9. Blades installation

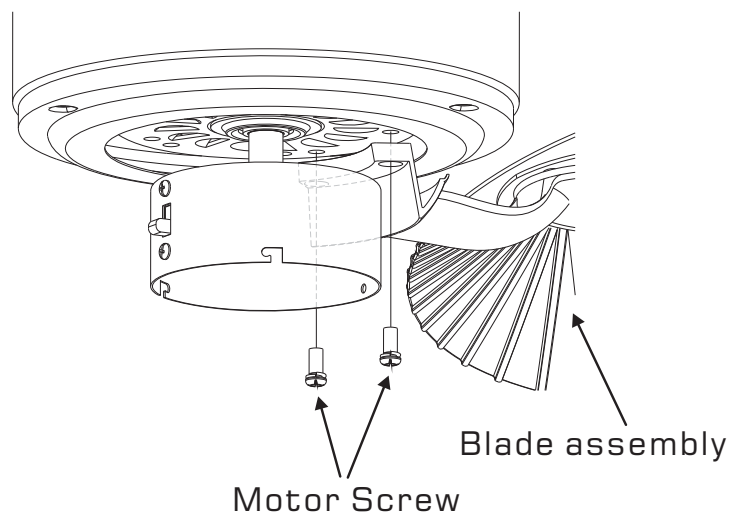
Attach blade to blade holder with blade screws, flat washer & rubber washes provided from hardware bag.

Be sure to assemble with this side up when attaching to blade holder. (Refer to the words on blade)
It may cause fan wobble if you fail to do this.



10. Blades assembly to motor

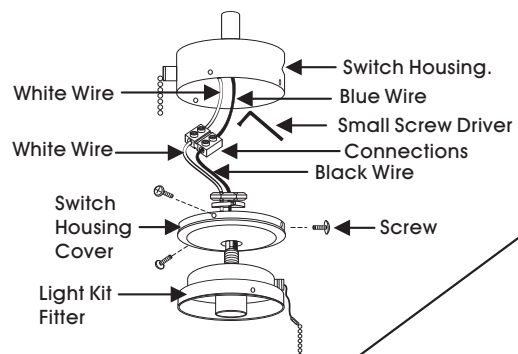
Attach blade assembly to motor by motor screws provided from hardware bag.



11. Make wire connections for light kit

Insert wires existing from Light Kit Fitter by passing through center hole and attach Light Kit Fitter to Switch Housing Cover with threaded tube and /or fasten with spring washer and hex nut.

A. Terminal Block Style



A. Terminal Block Style ---- Loosen screws on Terminal Block first, for accepting new wires from Light Kit.

(1). Insert white wire from Light Kit into Terminal Block extending from fan and tighten by screw on Terminal Block.

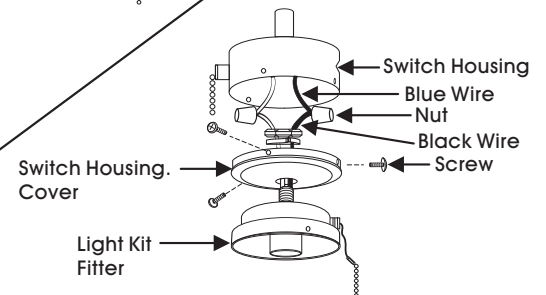
(2). Insert black or blue wire from Light Kit into Terminal Block extending from black or blue wire from fan and tighten by screw on Terminal Block.

B. Wire Nut Style -----

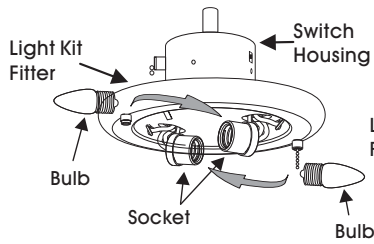
(1). White wire from Light Kit to white wire from fan and connect by wire nut.

(2). Black or blue wire from Light Kit to black or blue wire from fan and connect by wire nut.

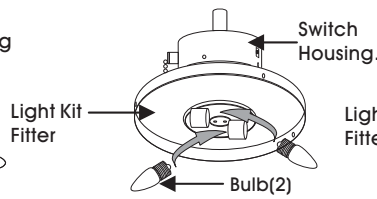
B. Wire Nut Style



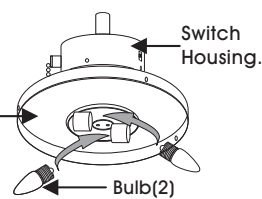
12. LIGHT KIT INSTALLATION



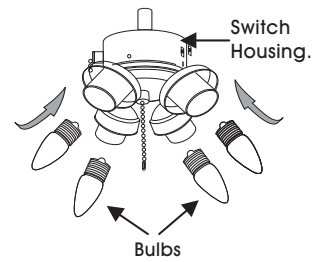
A1. Install light bulb (max. 60 Watts x 2pcs, not included) into socket.



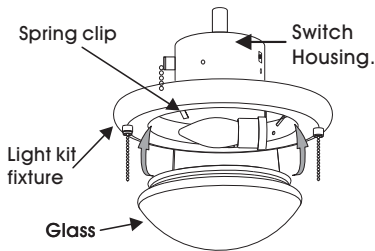
B1. Install bulbs (2) to lamp holders on light fixture.



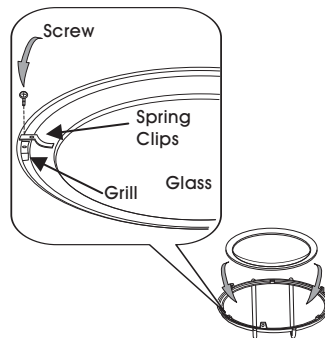
C1. Install bulbs (2) to lamp holders on light fixture.



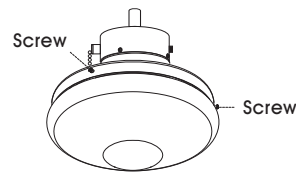
D1. Install bulbs to lamp holders, could be 3 or 4 lights.



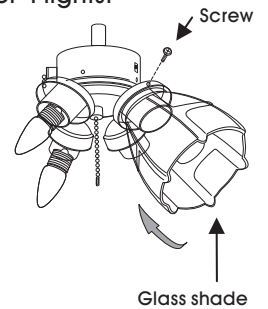
A2. Attach glass onto light kit fixture by 3 spring clips.



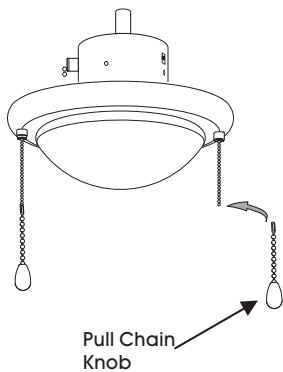
B2. Place the glass onto grill & secure the glass with three screws/spring clips on grill.



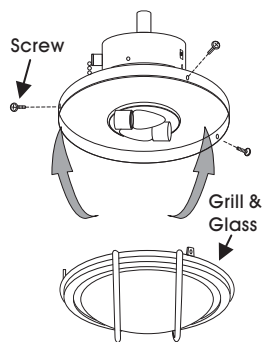
C2. Attach 3 screws provided from light kit fixture hardware bag to secure glass properly.



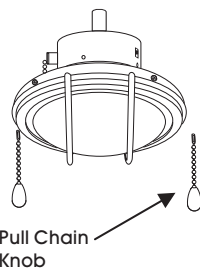
D2. Attach glass shades to light fixture by 3 screws provided from light kit fixture hardware bag to secure glass properly.



A3. Connect pull chain knob to pull chain.



B3. Attach grill and glass shade assembly to light fixture with three (3) screws.



B4. Connect pull chain knob to pull chain.