

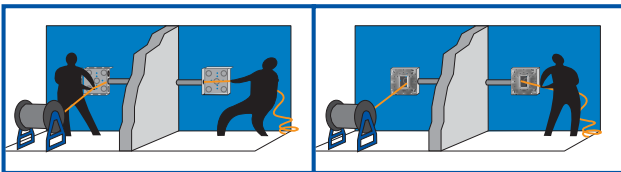
SmartTools

PULL-IT

No more scuffed wire!

The Pull-it wire pulling tool is a new, innovative and efficient way to run wire through electrical boxes. Built-in rollers make wire pulling easier than ever. The Pull-it also helps lower labor costs by turning a two man job into a one man task.

- Fits all standard outlet boxes
- Durable construction
- Rollers make wire pulling easy
- Eliminates restarts, no more scuffed wires
- Save on labor costs



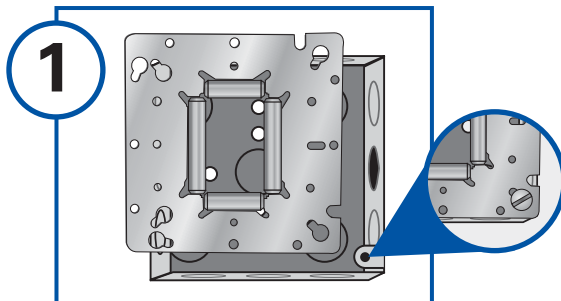
Old Way

Pull-it Way



INSTRUCTIONS FOR USE

Mount the pulling tool



Start pulling the wire

