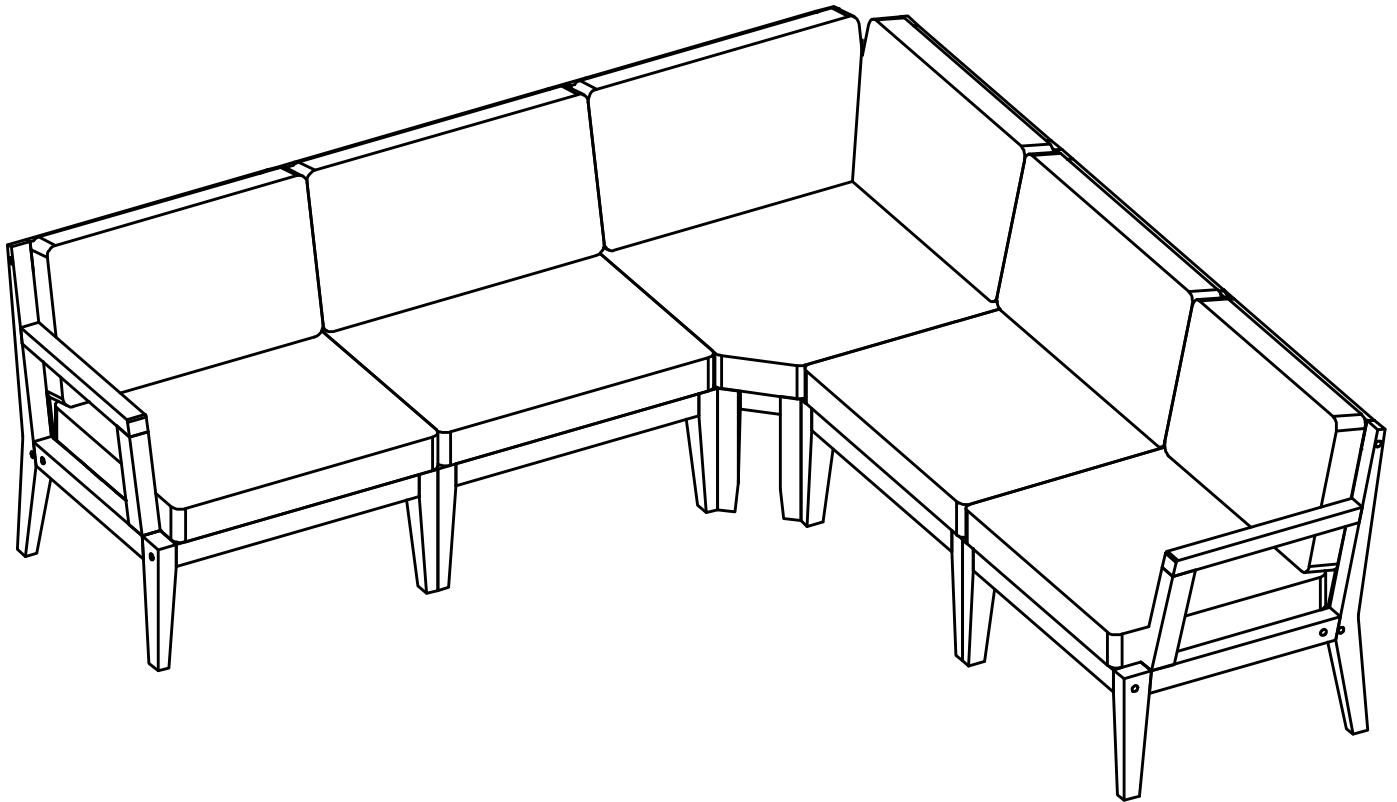


**HOME
DECORATORS
COLLECTION**

Item # 1002-583-825
1002-583-720
Model # DPS0210212115
DPS0150212115

USE AND CARE GUIDE

5PC BERMUDA DISTRESSED GREY SECTIONAL SET, INDIGO/ SPA BLUE



Questions, problems, missing parts? Before returning to the store,
call Home Decorators Collection Customer Service
8 a.m. – 7 p.m., EST, Monday – Friday, 9 a.m. – 6 p.m., EST, Saturday

1-800-986-3460

HOMEDEPOT.COM/HOMEDECORATORS

Retain this manual for future use.

THANK YOU

We appreciate the trust and confidence you have placed in Home Decorators Collection through the purchase of this 5-piece sectional set. We strive to continually create quality products designed to enhance your home. Visit us online to see our full line of products available for your home improvement needs. Thank you for choosing Home Decorators Collection!


Table of Contents


Table of Contents	2	Assembly	5
Safety Information	2	Maintenance	10
Warranty	2	Care and Cleaning	10
What is Covered	2	Troubleshooting	10
What is Not Covered	2		
Pre-Assembly	3		
Tools Required	3		
Hardware Included	3		
Package Contents	4		


Safety Information

Important Safety Instructions

1. Read and save these instructions.
2. Follow recommended weight ratings.
3. Sectional should be on a level surface and kept away from extreme heat and strong oxidizing agents. Never use petroleum or oil based products such as solvents or harsh cleaners to clean the material.
4. All set screws must be checked and re-tightened where necessary before assembly.

 **DANGER:** Please keep children out of the assembly area during assembly.

 **WARNING:** Do not stand on the chairs. Do not sit on the armrests.

 **CAUTION:** Use the chairs on flat ground only.

NOTICE: Please read all instructions carefully before starting assembly.
Also, we recommend that the unit is fully assembled on a level surface.
Two people are recommended to assemble this product.
DO NOT over torque screws and bolts.

Warranty

ONE YEAR LIMITED WARRANTY

WHAT IS COVERED

This set is warranted to the original purchaser to be free from defects in material or workmanship for a period of one year from the date of original retail purchase. The word “defects” is defined as imperfection that impairs the use of the product. Defects resulting from misuse, abuse or customer negligence will void this warranty.

WHAT IS NOT COVERED

This warranty does not cover commercial use, hardware, act of nature, fire, freezing and abusive use. This warranty does not cover defects due to alteration of accident. This warranty does not cover scratching, scuffing or other cosmetic damage that may result from normal use of the product. If the product is defective within the term of this warranty, the manufacturer will repair or replace defective parts at no cost to the purchaser. Shipping charges are not covered and are the responsibility of the purchaser.

Contact the Customer Service Team at 1-800-986-3460 or visit www.HomeDepot.com/HomeDecorators.

Pre -Assembly

TOOLS REQUIRED



Safety goggles

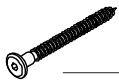


Phillips screwdriver

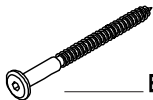
HARDWARE INCLUDED



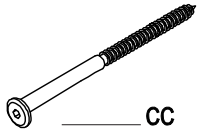
NOTE: Hardware not shown to actual size.



AA



BB



CC

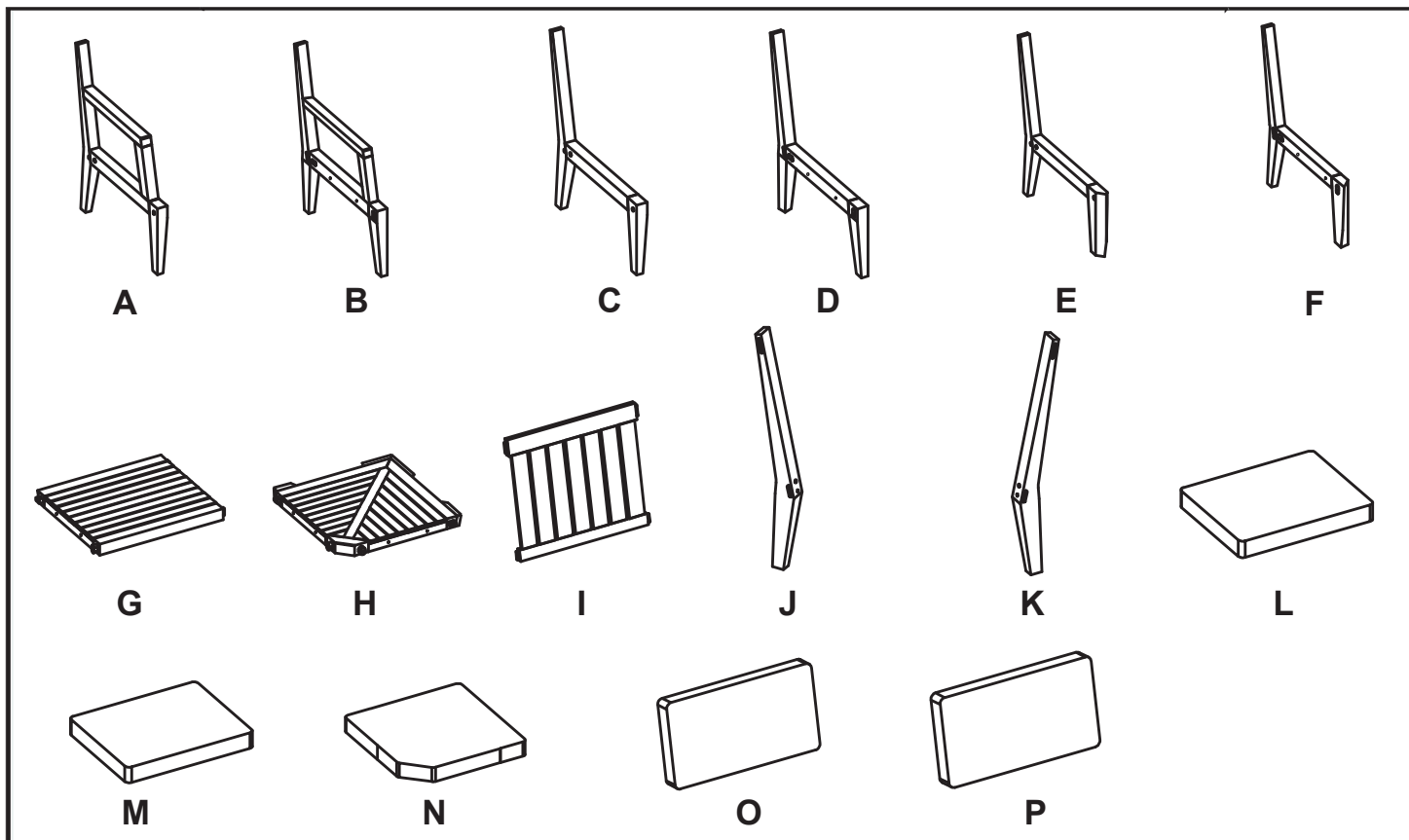


DD

Part	Description	Quantity
AA	Screw 6x70x13	20
BB	Screw 7x80x15	48
CC	Screw 7x120x15	4
DD	Allen Key M4	1

Pre-Assembly (continued)

PACKAGE CONTENTS

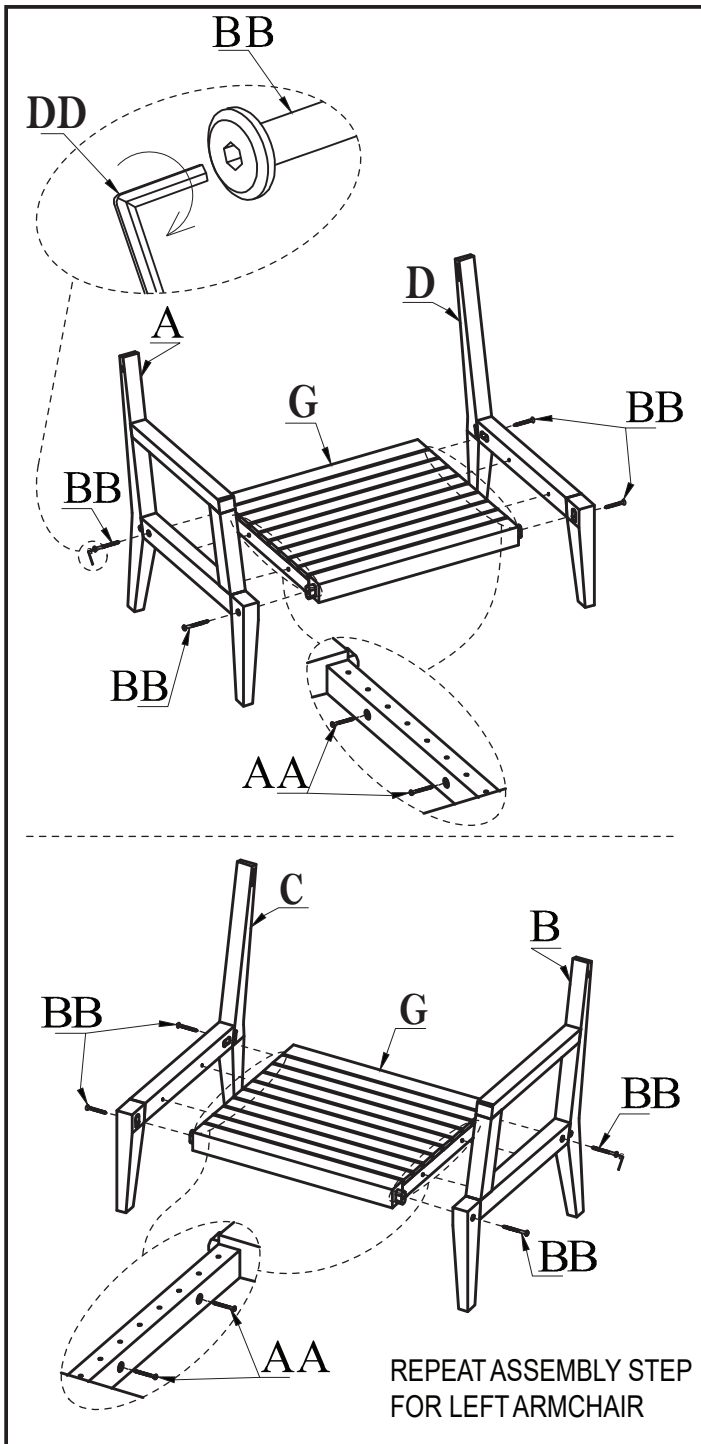


Part	Product Name	Quantity
A	Right armchair leg	1
B	Left armchair leg	1
C	Right leg	3
D	Left leg	3
E	Right corner chair leg	1
F	Left corner chair leg	1
G	Seat	4
H	Corner seat	1
I	Chair back	6
J	Right single leg	1
K	Left single leg	1
L	Armchair seat cushion	2
M	Chair seat cushion	2
N	Corner chair seat cushion	1
O	Armchair back cushion	2
P	Chair back cushion	4

Assembly

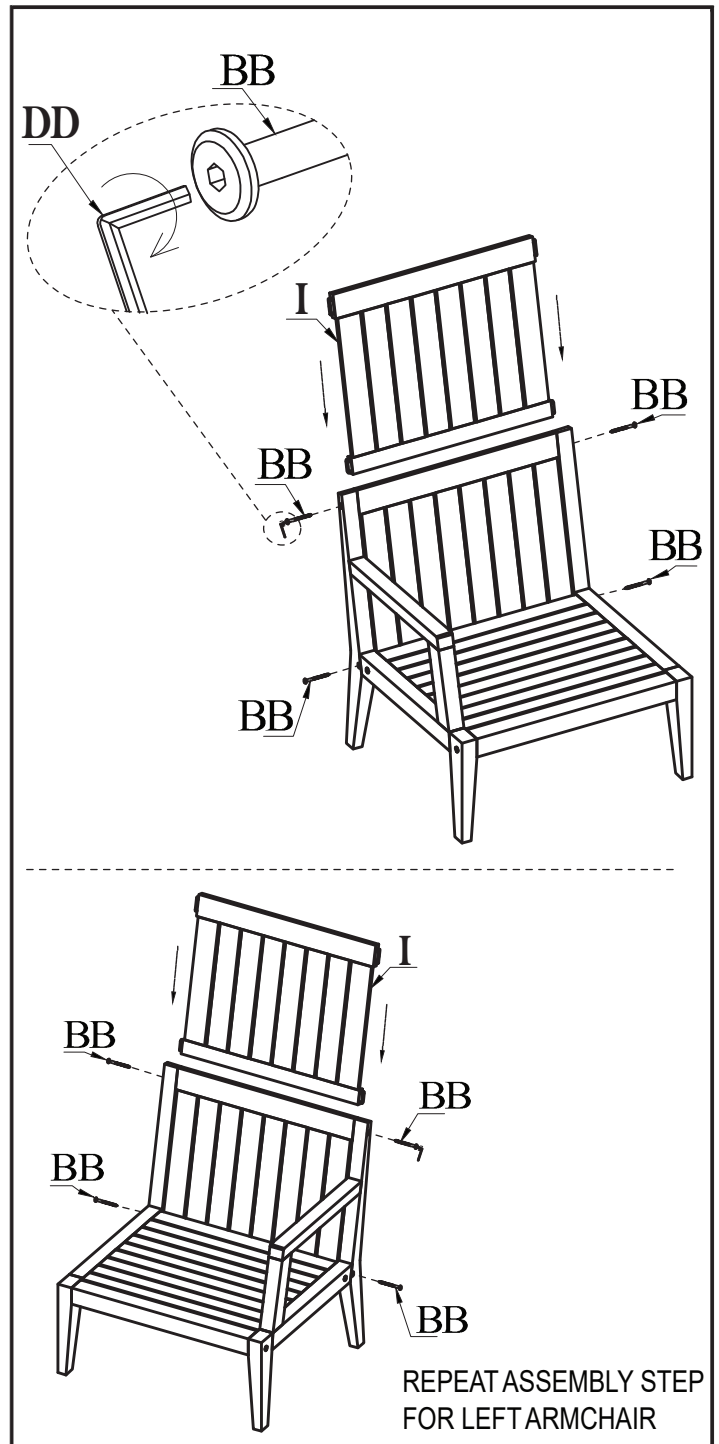
1 Assembling the Armchair Sides

- Attach the right armchair leg (A) and left leg (D) to a seat (G) using 6x70x13 screws (AA) and 7x80x15 screws (BB).
- Partially tighten the screws (AA) and (BB) using the Allen Key (DD). Do not fully tighten the screws at this time. Repeat for the left armchair leg (B), right leg (C), and a seat (G).



2 Attaching the Armchair Back

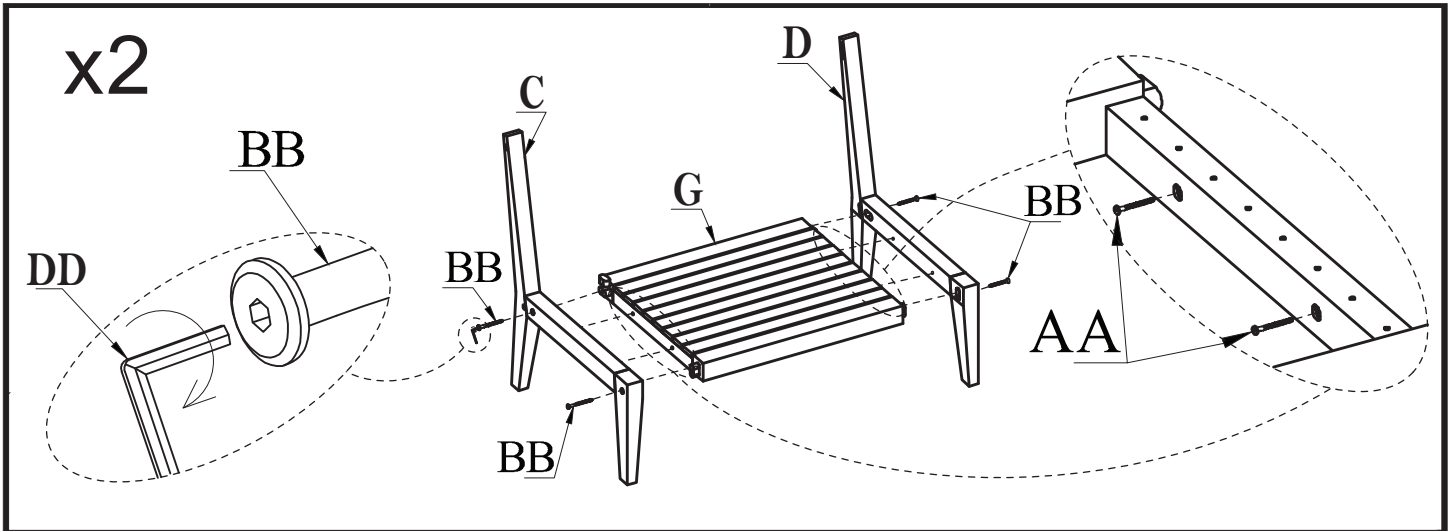
- Attach a chair back (I) to the left and right armchair leg assemblies using 7x80x15 screws (BB).
- Fully tighten all screws (AA) and (BB) from steps 1 and 2 using the Allen key (DD).



Assembly (continued)

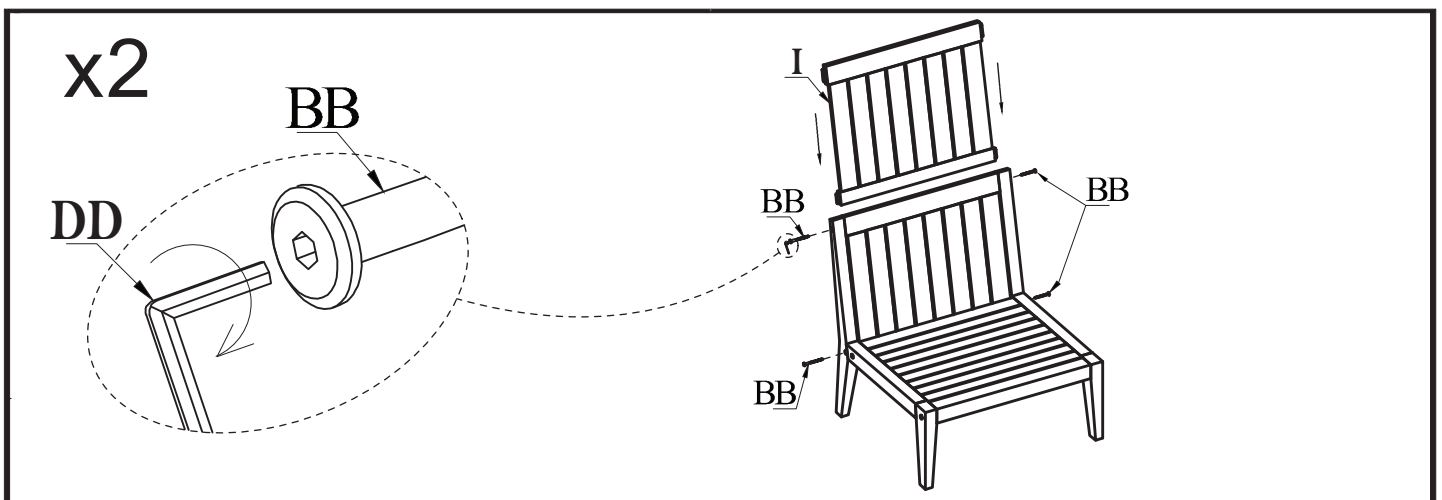
3 Attaching the Armless Chair Sides

- Attach the right leg (C) and left leg (D) to a seat (G) using 6x70x13 screws (AA) and 7x80x15 screws (BB).
- Partially tighten the screws (AA) and (BB) using the Allen Key (DD). Do not fully tighten the screws at this time. Repeat this a second time for the second armless chair.



4 Attaching the Armless Chair Backs

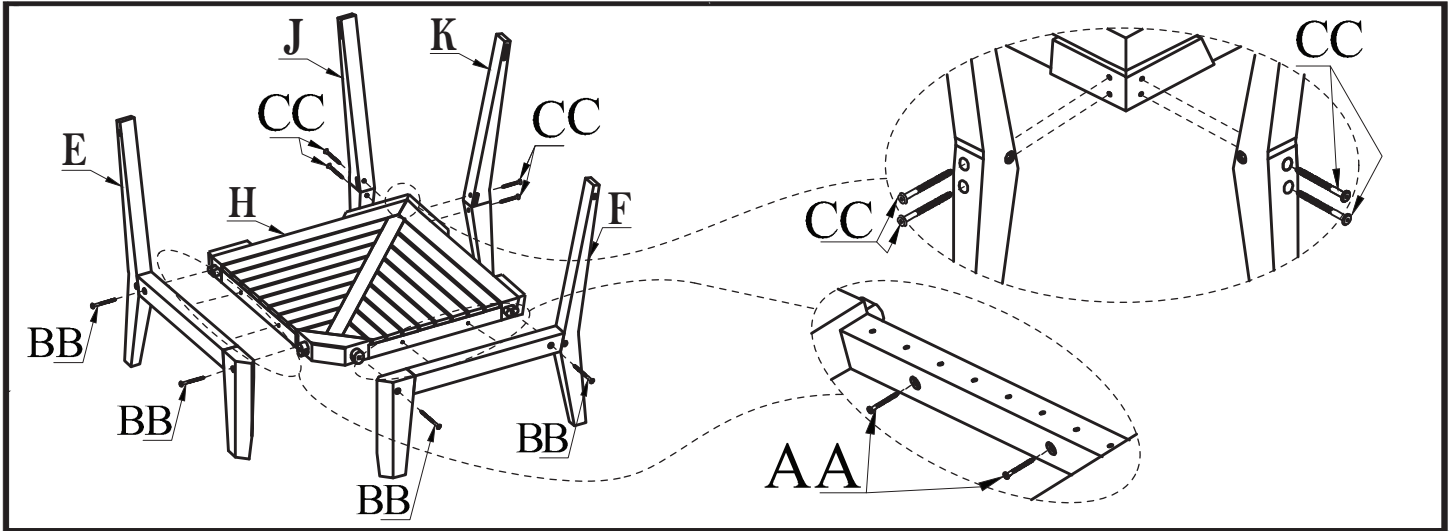
- Attach a chair back (I) to the left and right leg assemblies using 7x80x15 screws (BB).
- Fully tighten all screws (AA) and (BB) from steps 1 and 2 using the Allen Key (DD).



Assembly (continued)

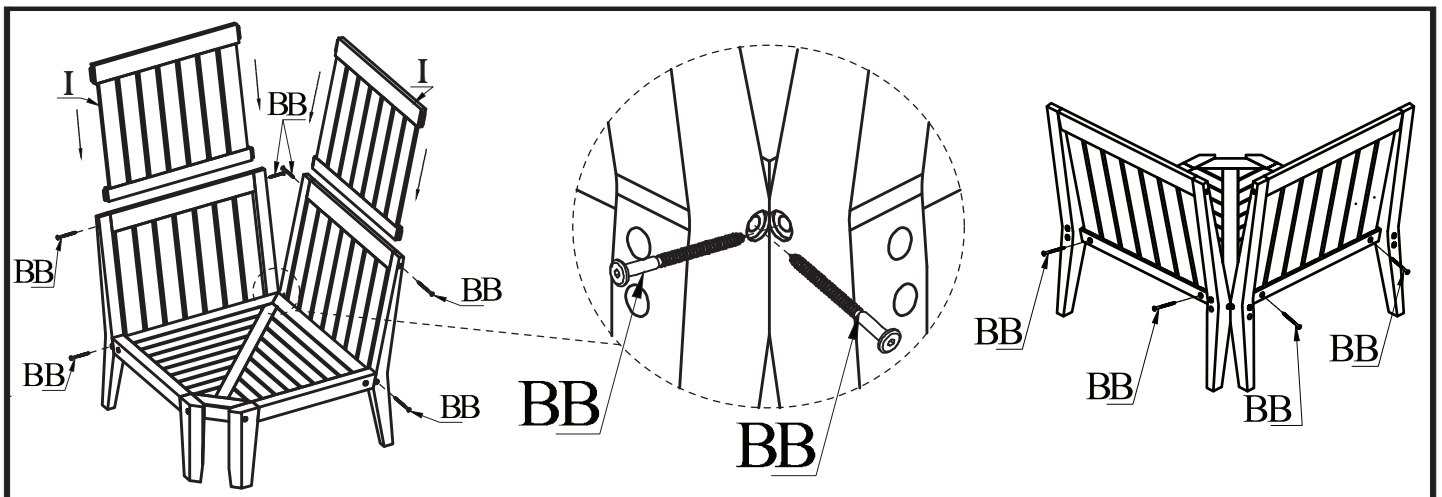
5 Attaching the Corner Chair Sides

- Attach the right corner chair leg (E), left corner chair leg (F), right single leg (J) and left single leg (K) to corner seat (H) using 6x70x13 screws (AA), 7x80x15 screws (BB) and 7x120x15 screws (CC).
- Partially tighten the screws (AA), (BB) and (CC) using the Allen Key (DD). Do not fully tighten the screws at this time.



6 Attaching the Corner Chair Backs

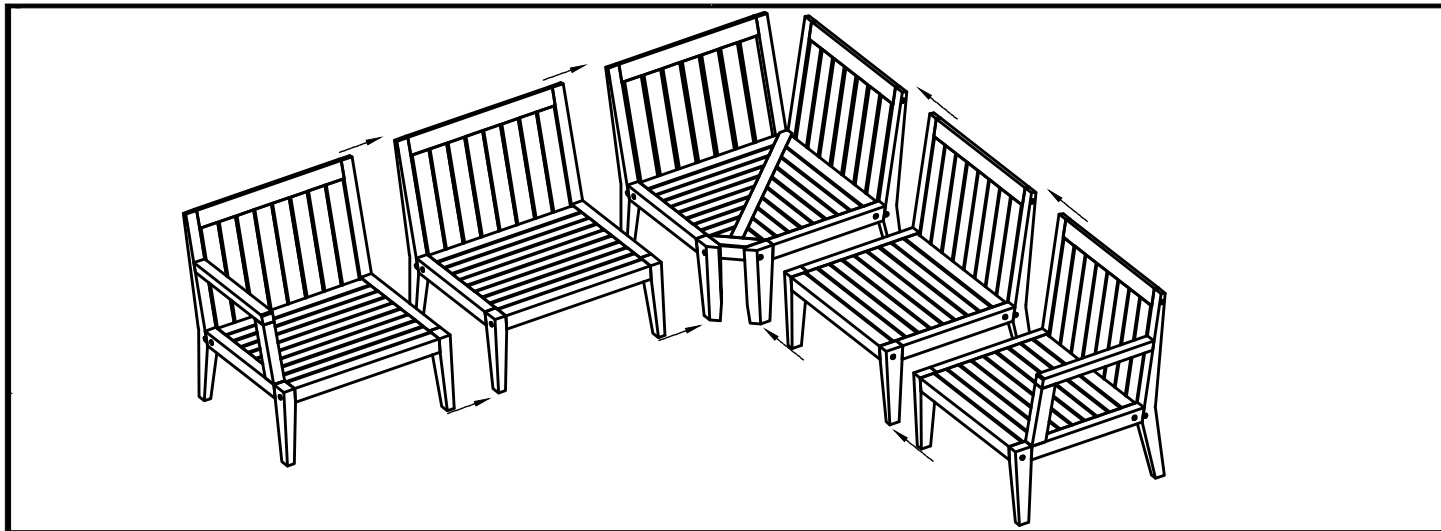
- Attach a chair back (I) to the left and right leg assemblies using 7x80x15 screws (BB).
- Fully tighten all screws (AA), (BB) and (CC) from steps 1 and 2 using the Allen Key (DD).



Assembly (continued)

7 Assembling the Set

- Slide chairs together as shown below.

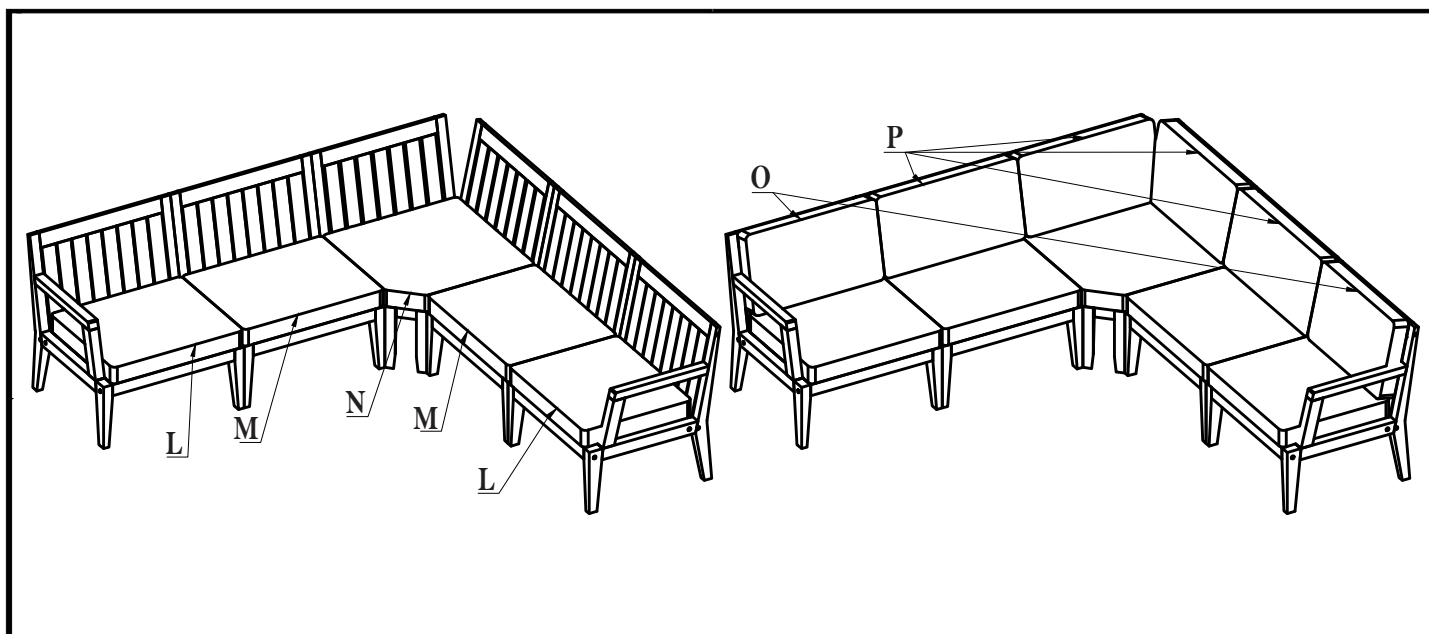


8 Placing the Cushions

- Place armchair seat cushions (L), chair seat cushions (M) and corner chair seat cushion (N) onto the corresponding chairs.
- Place armchair back cushions (O) and chair back cushions (P) onto the back of the corresponding chairs.

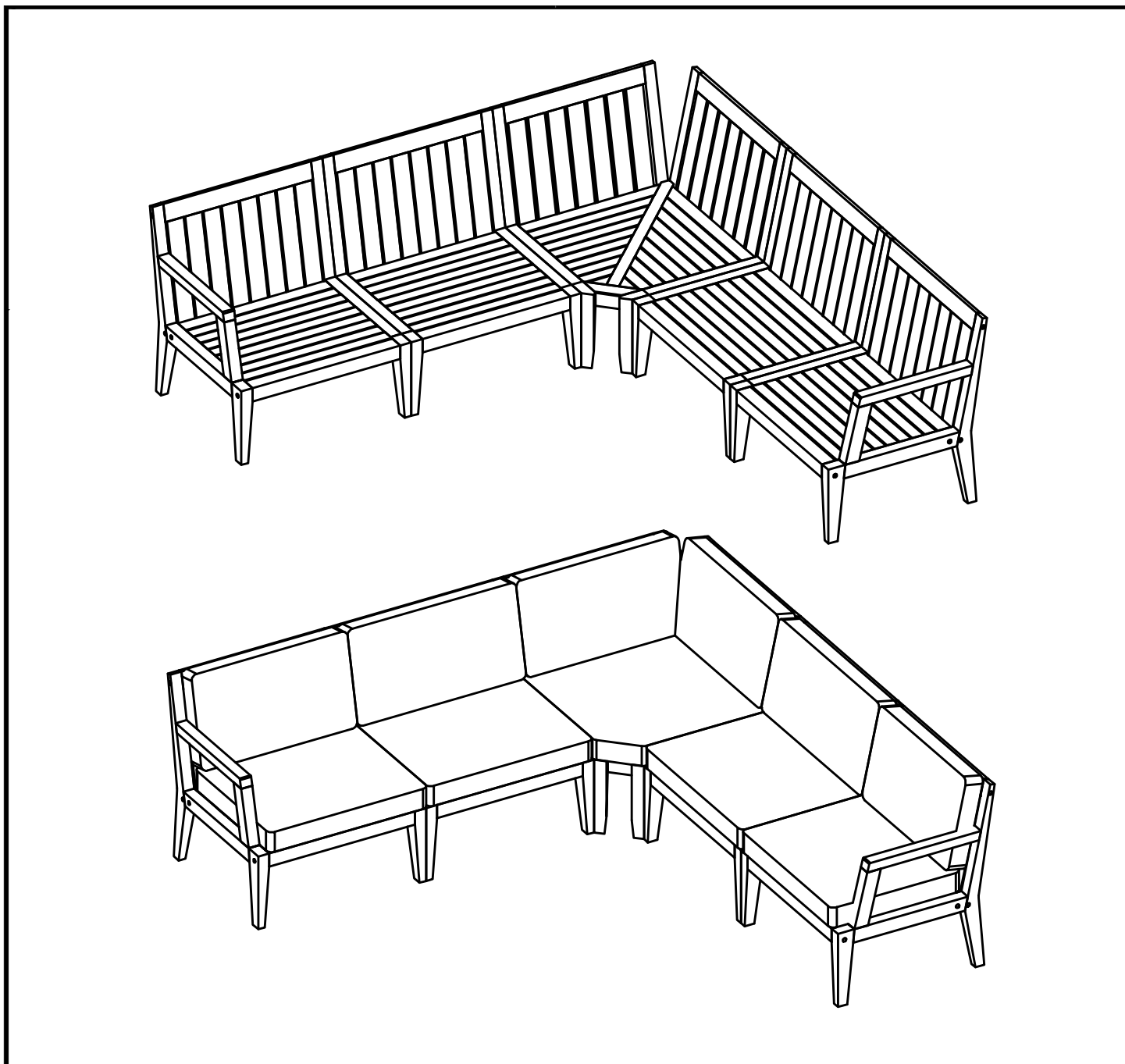


NOTE: Attach seat cushions before attaching the back cushions.



Assembly (continued)

9 Ready to Use



Maintenance

- Cover furniture during harsh weather to keep it from weathering.
- The Home Decorators Bermuda Collection has been conditioned for outdoor use. To maintain the beauty and life expectancy of the bench, it is highly recommended that you treat the bench with a weather proof coating once a year.

Care and Cleaning

- When assembling The Home Decorators Bermuda Collection, please handle all panels and/or hardware with care to avoid any possibilities of damages and/or injuries.
- Rinse any panels with water to clean.
- Keep small parts and pieces away from children until fully assembled.
- Please check for any loose screws and tighten them before you use.
- We recommend that the unit is fully assembled on a level surface.
- Two people are recommended to assemble this product.

Troubleshooting

Problem	Solution
Screws are misaligned with holes.	<ul style="list-style-type: none">□ Wait until the end to fully tighten all of the screws.□ Only partially tighten the screws as you assemble the different parts.
The backrest does not fit between chair sides.	<ul style="list-style-type: none">□ Make sure screws are only partially tightened in the sides.□ Gently spread the tops of each side assembly to slide in the backrest.
The chairs do not sit flat.	<ul style="list-style-type: none">□ We recommend that the unit is fully assembled on a level surface.□ Assembling the chairs on uneven ground may cause them to become misaligned/wobbly.

HOME DECORATORS COLLECTION

Questions, problems, missing parts? Before returning to the store,
call Home Decorators Collection Customer Service
8 a.m. – 7 p.m., EST, Monday – Friday, 9 a.m. – 6 p.m., EST, Saturday

1-800-986-3460

HOMEDEPOT.COM/HOMEDECORATORS

Retain this manual for future use.