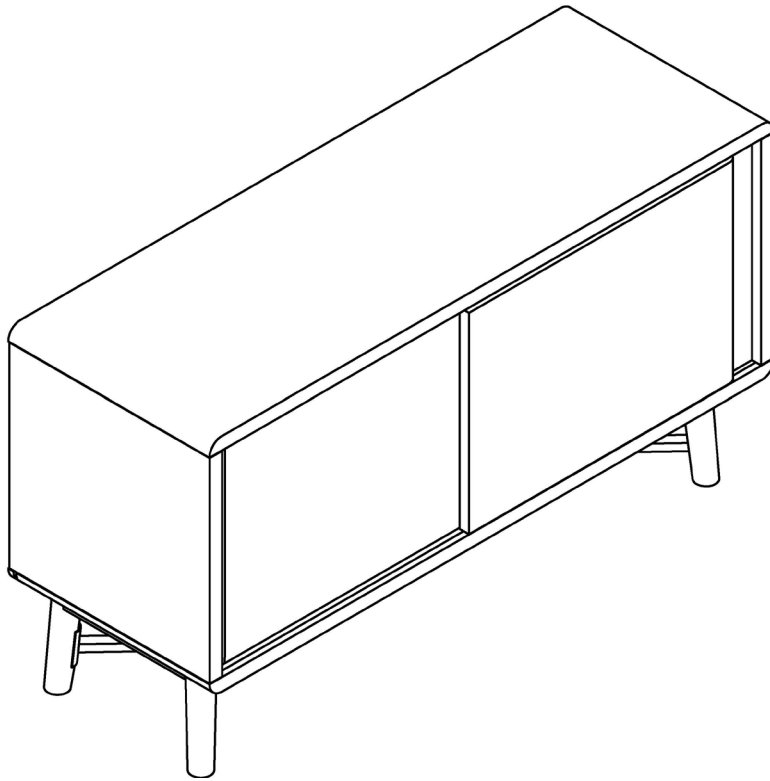


NATHAN JAMES



Product name

Liam
Storage Unit

Contact

Toll-free at 1-866-619-1004
Help@nathanjames.com
Nathanjames.com/help

Ok, let's get rolling

This should be easy, just follow our simple instructions and you will be back to Netflix in no time.

Estimated time for assembly



45:00

What you need

- Some of your favourite bubbly or your preferred relaxant
- Use the packaging carton as a working surface to prevent product damage during assembly

Do not use a drill



Weight Limitation



90

lbs table top

30

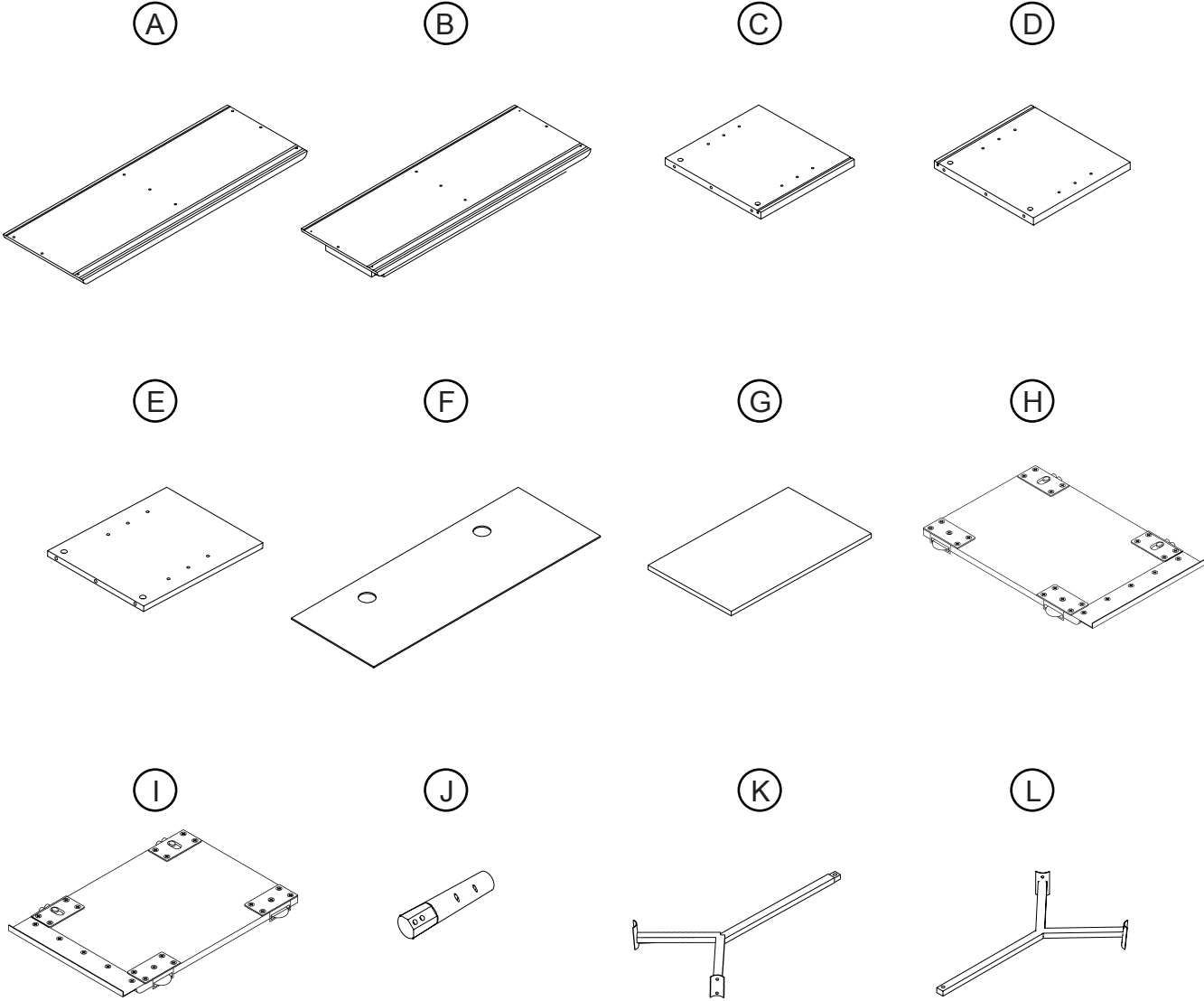
lbs per shelf

Toll-free at 1-866-619-1004
Help@nathanjames.com
Nathanjames.com/help

What's included

Code	Description	Qty
A	Top Panel	1
B	Bottom Unit	1
C	Right Side Panel	1
D	Left Side Panel	1
E	Center Panel	1
F	Back Panel	1
G	Shelf	2
H	Left Door	1
I	Right Door	1
J	Leg	4
K	Metal Stretcher	1
L	Metal Stretcher	1

The goods



IMPORTANT:

- 1. Do not tighten bolts / screws completely until all bolts / screws are lined up and inserted into holes.
- 2. Do not over tighten screws and bolts to avoid stripping.
- 3. Please use hand tools to assemble this product. Do not use power tools.

What's included

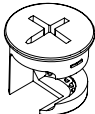
Code	Description	Qty
1	M6*24 MM Cam Bolt	6
2	M15*9 MM Cam Lock	6
3	M8*30MM Wood Dowel	6
4	M6*50MM Bolt	8
5	M4.2*50 MM Screw	6
6	Shelf Pin	8
7	M6*12MM Bolt	1
8	M4.2*15MM Screw	8
9	Allen Key	1
10	Flat Washer	8
11	Spring Washer	8
12	Foot Pad	4

The goods

1



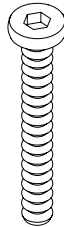
2



3



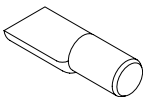
4



5



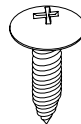
6



7



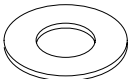
8



9



10



11

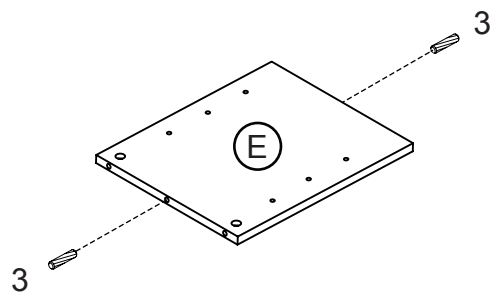
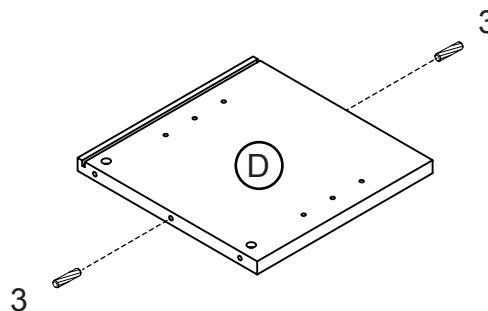
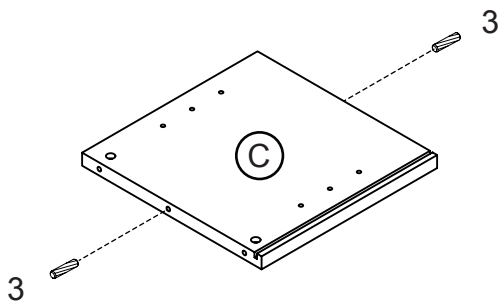
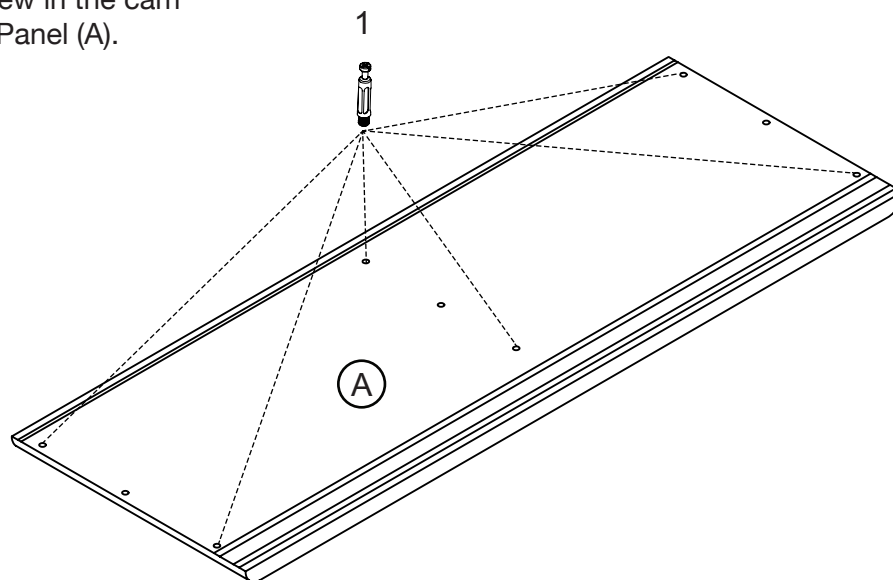


12



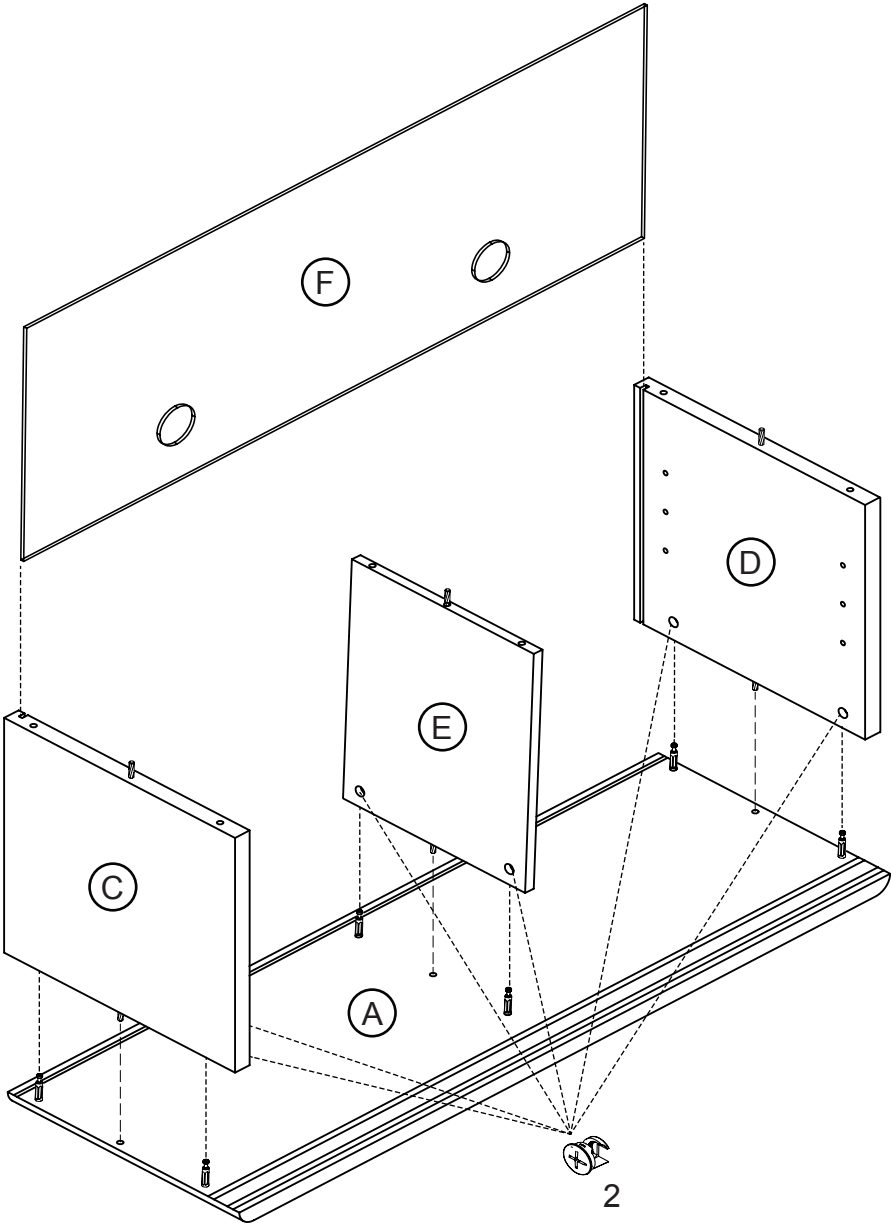
Step 1

How much wood could a woodchuck chuck? ... I apologize, please insert wooden dowels into side panels and screw in the cam bolts (1) to the Top Panel (A).



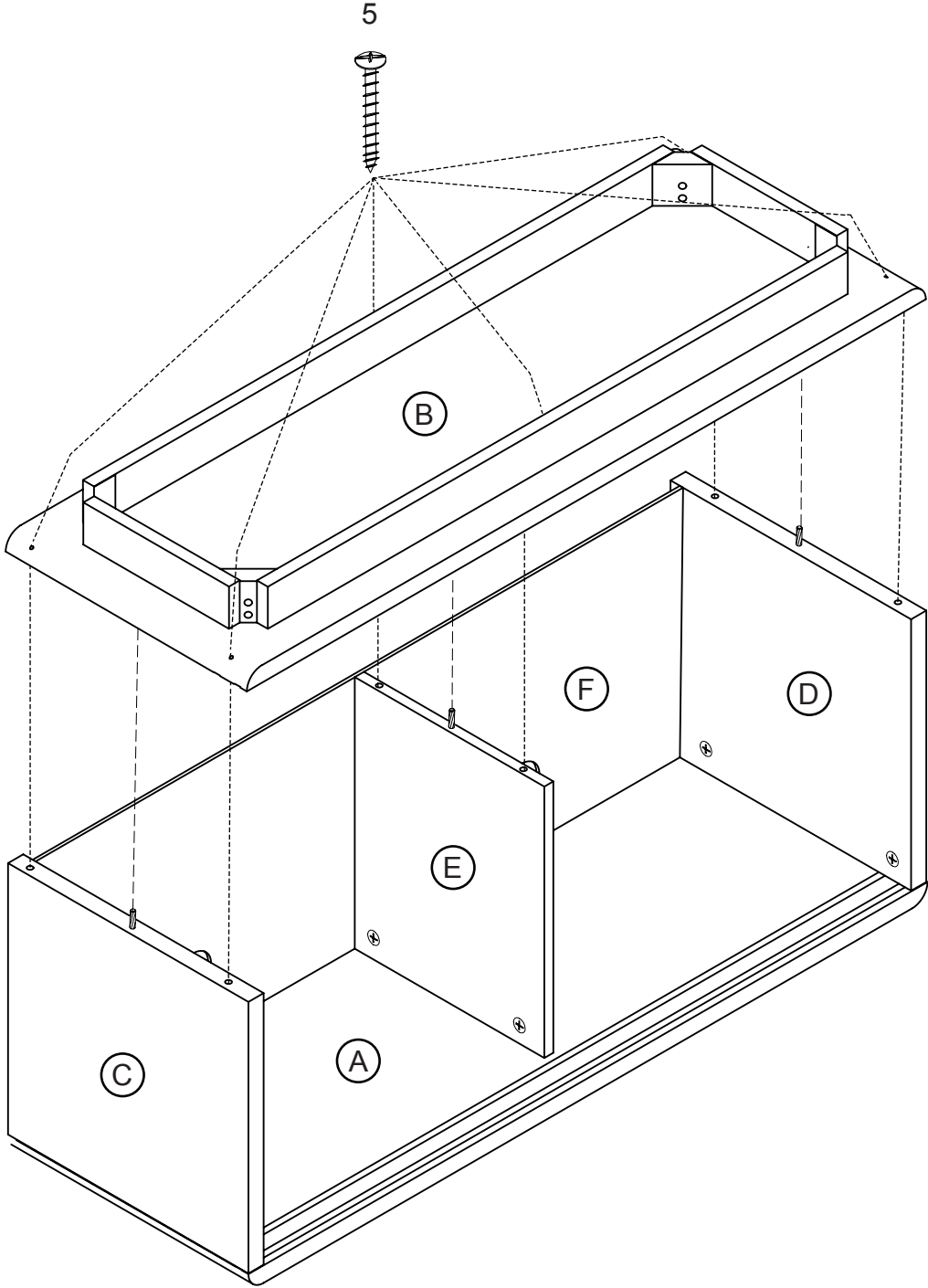
Step 2

Let's get the shelves set up,
you're doing great!



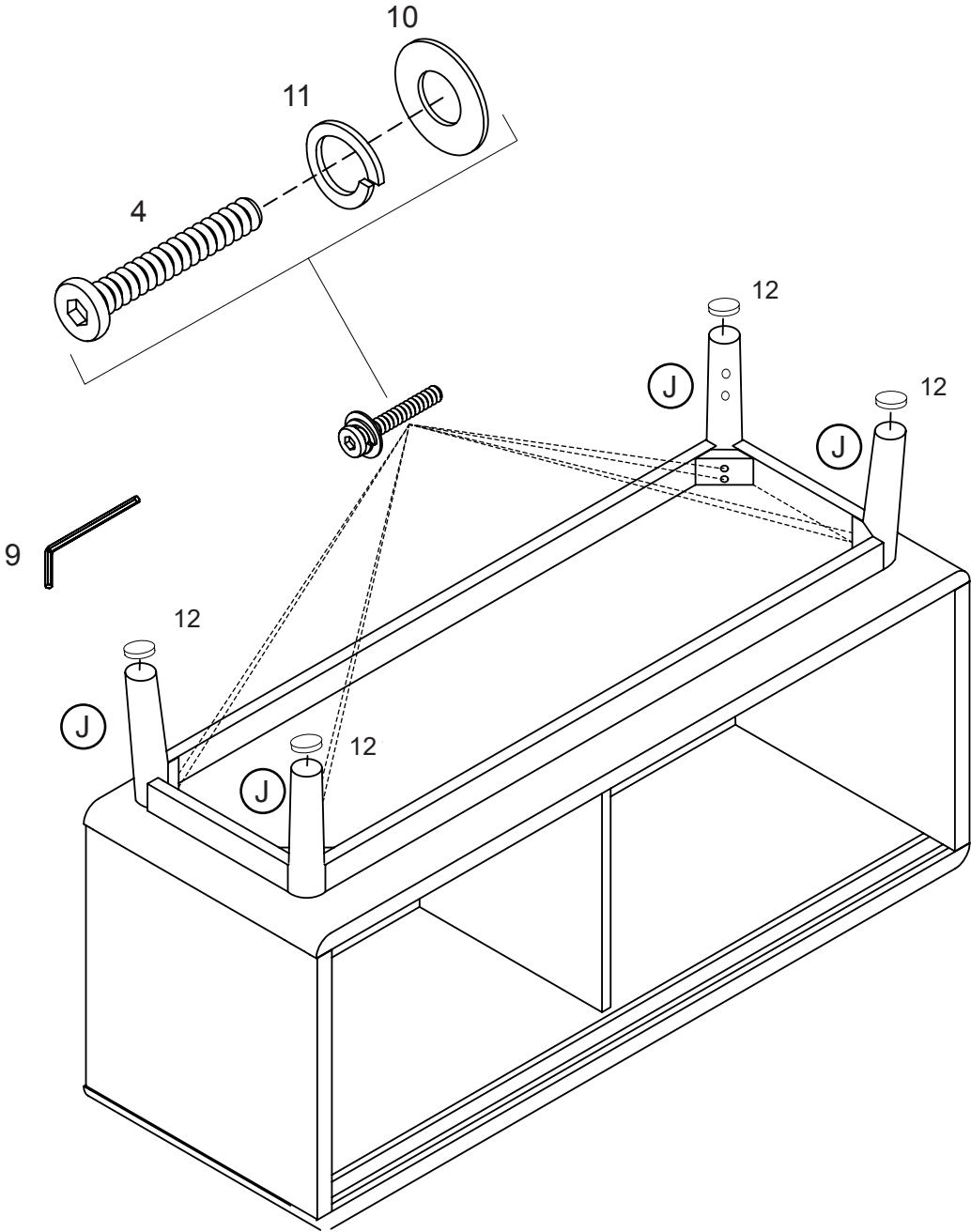
Step 3

If you couldn't tell by now, you've been building it upside down. Time to attach the Bottom Unit (B).



Step 4

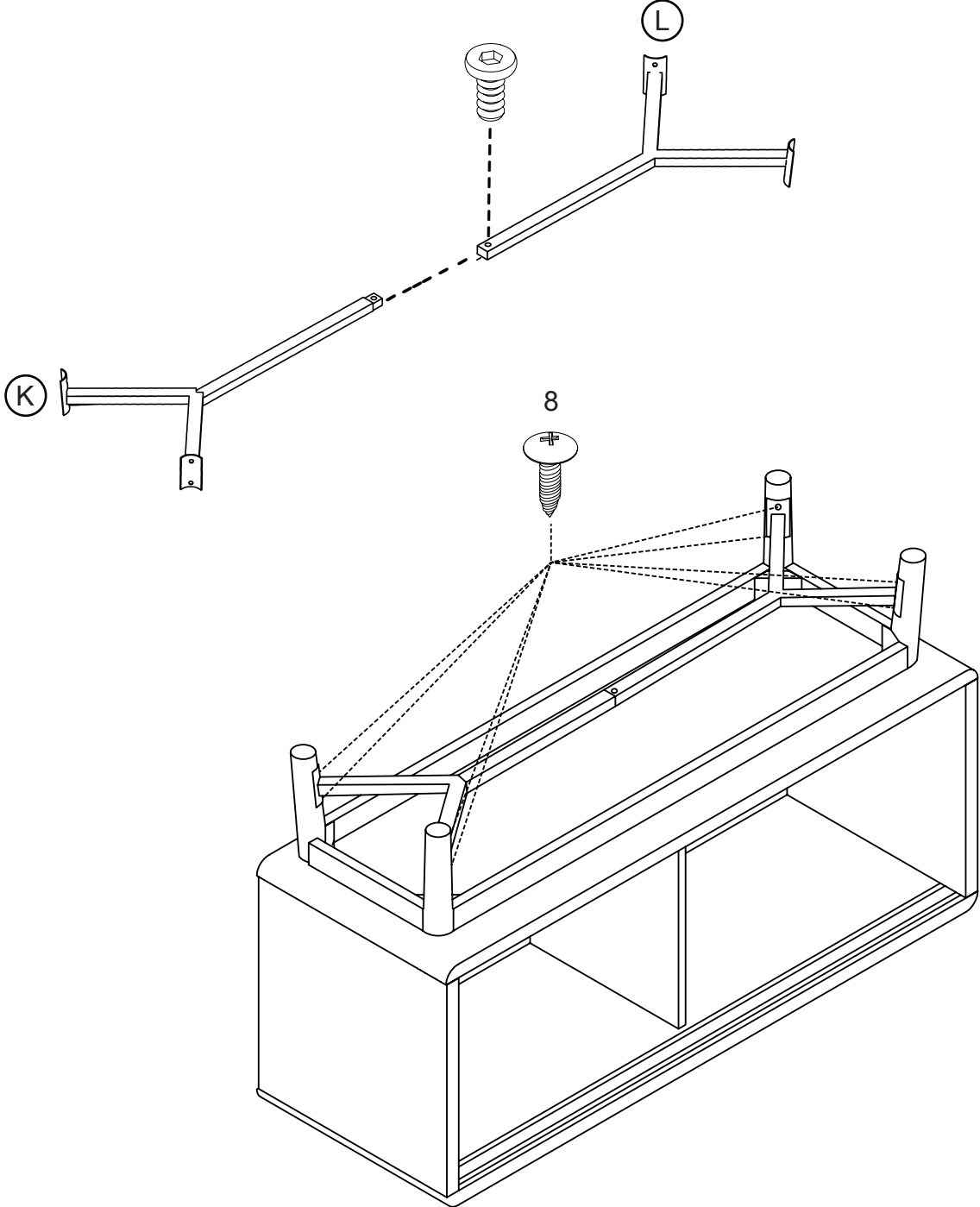
Let's get those legs and foot pads secured!
You know what they say, never skip leg day!



Step 5

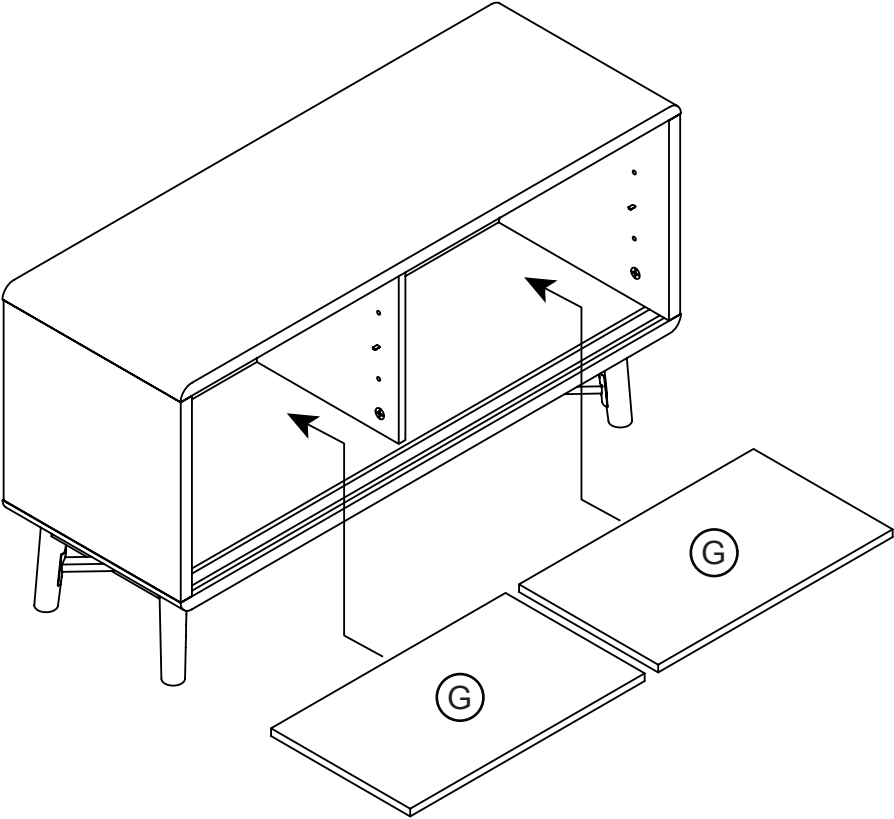
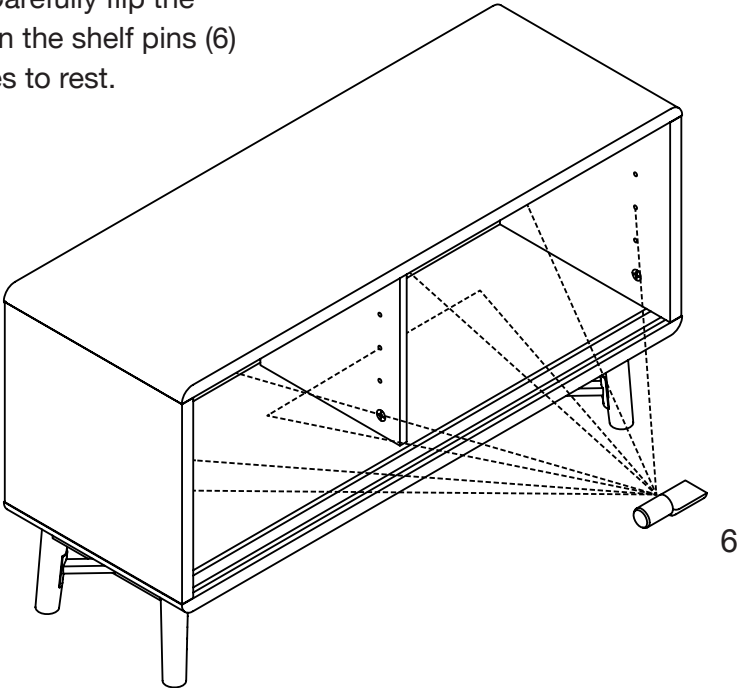
7

Securely attach the metal stretchers.



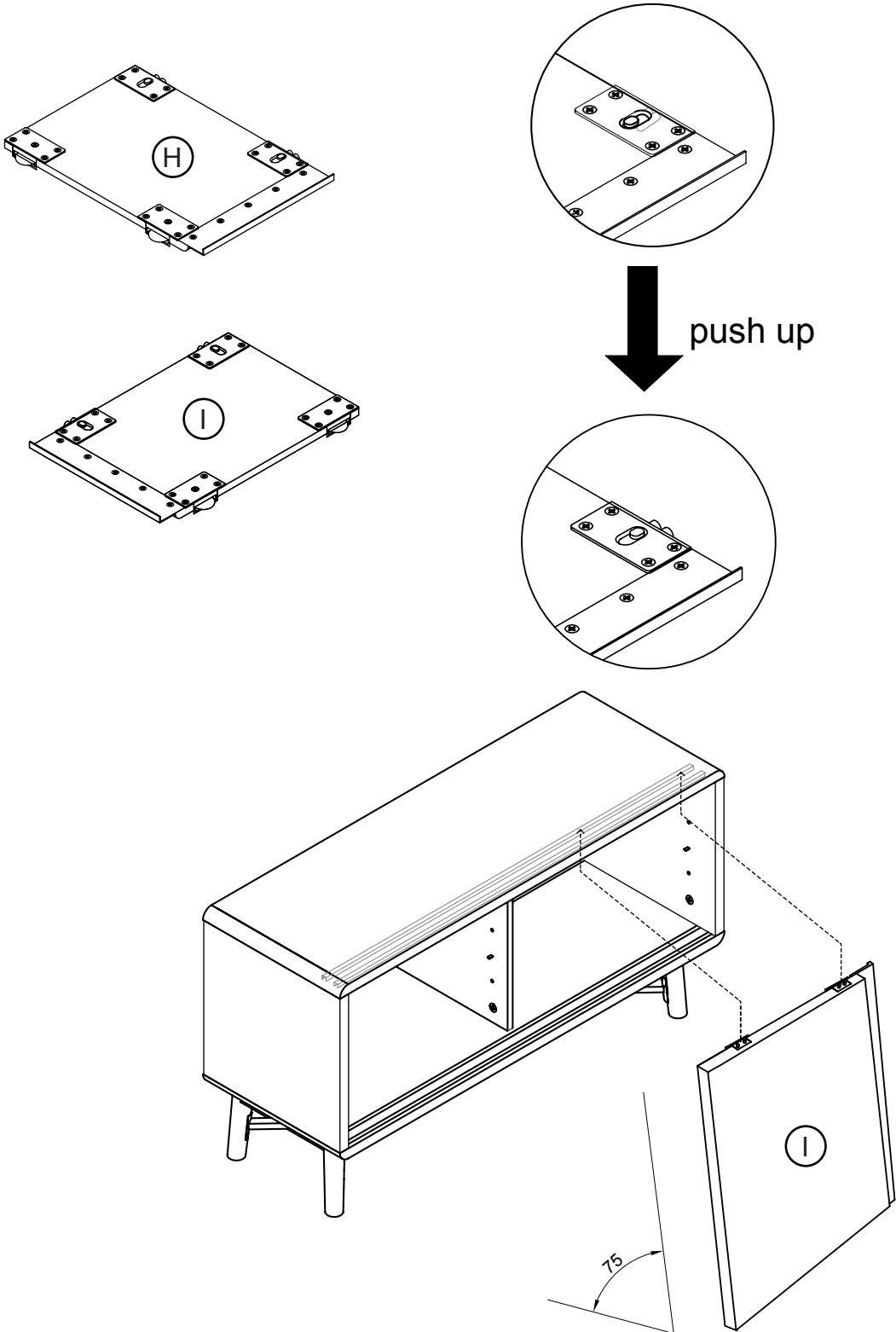
Step 6

You're over halfway done! Carefully flip the storage unit over and tighten the shelf pins (6) where you want your shelves to rest.



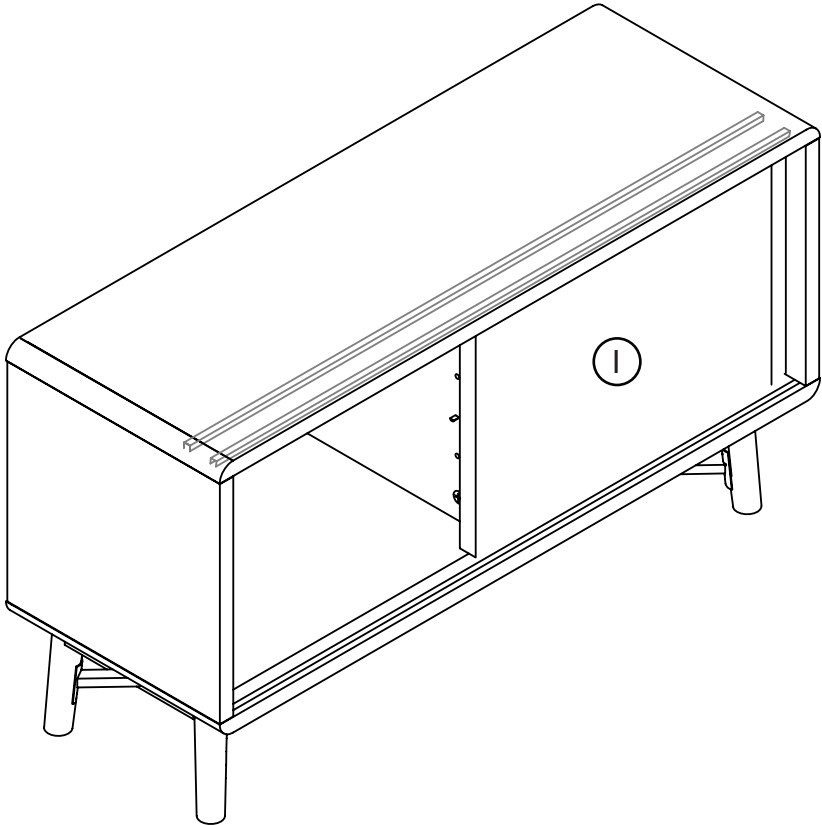
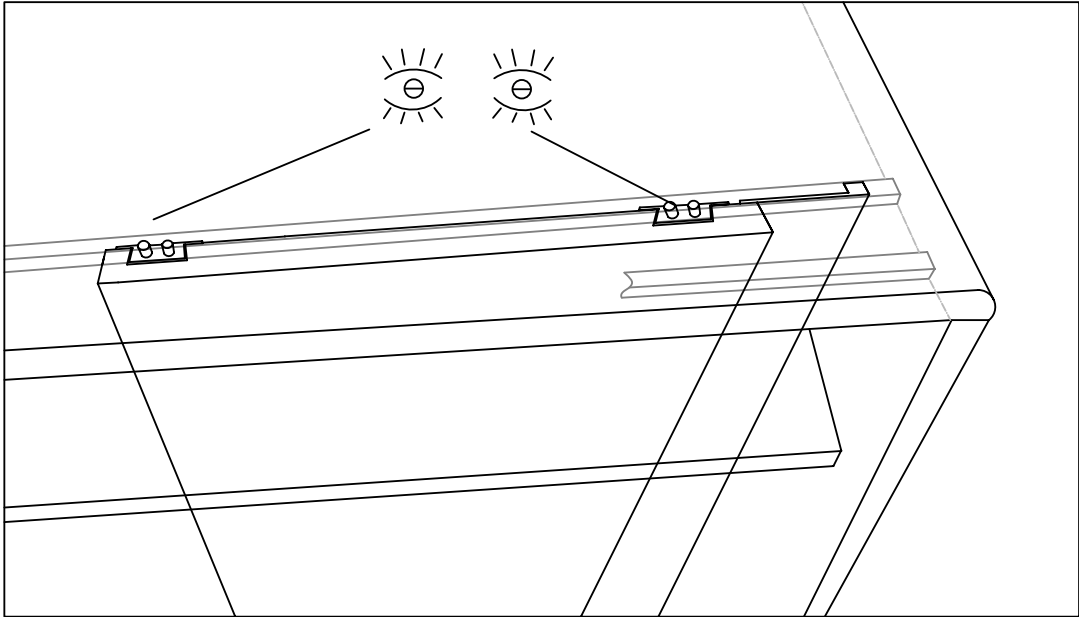
Step 7

Time to get the doors secured. Starting with the right door (I), latch the door in at a 75 degree angle.



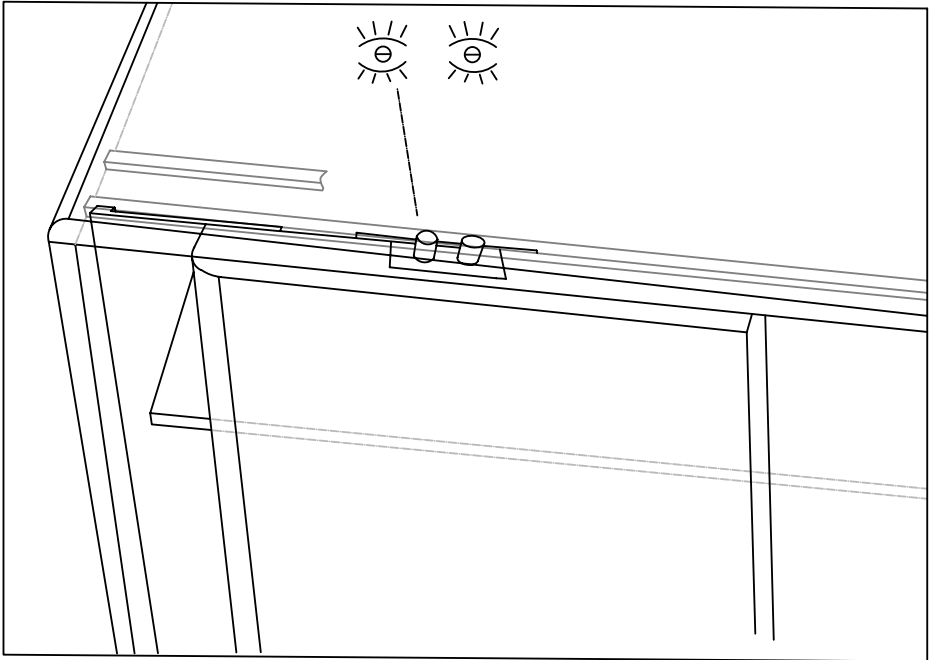
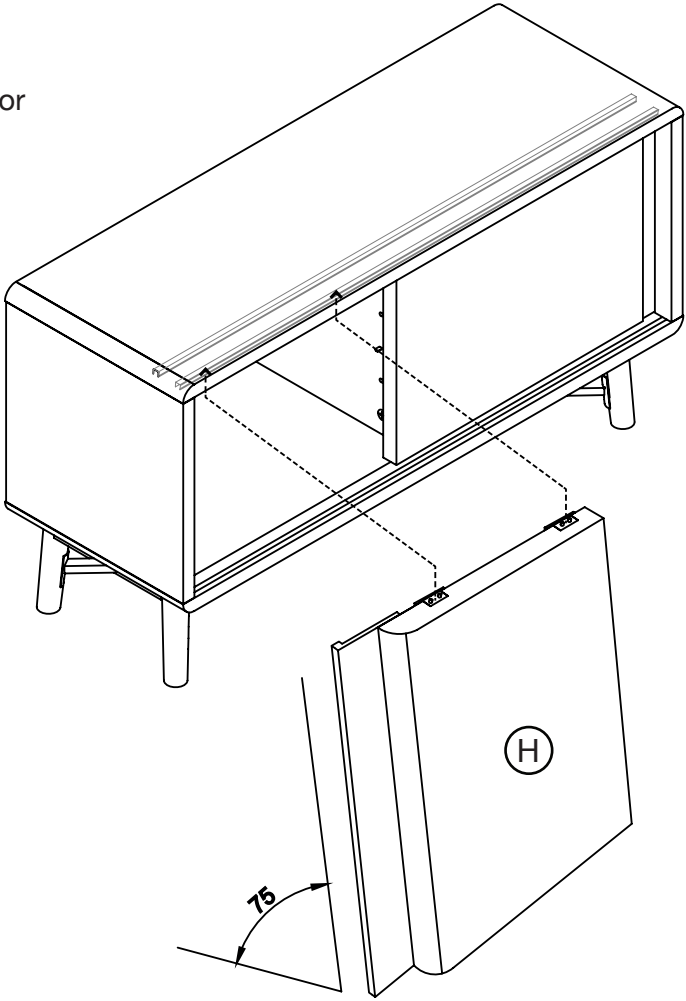
Step 8

Before moving on to the next door, make sure the door attachments are lined up with the unit.



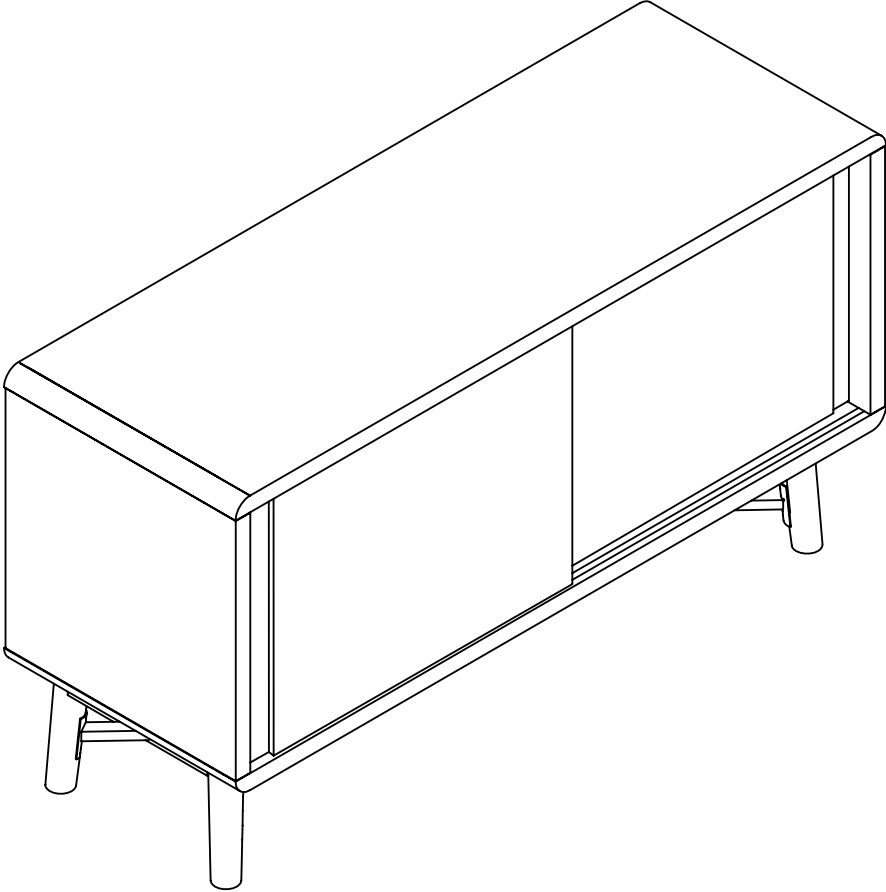
Step 9

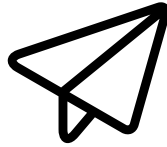
Repeat steps 7 and 8 with the second door (H) and you're on your way!



Step 10

Ta-da! We are so proud of you! Chip and Joanna Gaines would be, too. Is it time for pizza??





No heartburn, when we handle the return

Give us a call **1-866-619-1004** or shoot us
a message at **help@nathanjames.com**
we will issue you a free replacement
with **zero hassle.**

Our way



Give us a call



Replacement



You

Their way



Re-package item



Schedule pick up



Track package



Replacement



You

We really don't want you to go through the hassle of re-packaging your item and sending it back, because let's be honest...nobody has time for that.

Safety first, fun later

We want your Liam Storage Unit to last as long as possible, so we recommend that you tighten the screws 2 weeks after assembly and for added safety check the tightness of all screws every 2 months.

For proper care and treatment of wood please check our website at NathanJames.com/products.

Safety use of this product starts with you.

Use this storage unit responsibly with the primary concern for your safety. Follow assembly instructions carefully and inspect product upon receipt and each use.

Nathan James and its parent companies cannot be held legally responsible for any injuries or death resulted from failure to follow instructions or improper use of this product.

Proper Use

- DO NOT** use for commercial purposes
- DO NOT** place on uneven floor or surface
- DO NOT** use as a step-stool or stand on storage unit
- DO NOT** put hot serving liquid directly on the unit
- DO NOT** leave spilled liquid on the storage unit
- DO NOT** use if storage unit is damaged or broken
- DO NOT** make temporary repairs
- DO NOT** use outdoors

We are only in business if you're happy

For starters,
thanks for being you.

☎ Toll-free at 1-866-619-1004
✉ Help@nathanjames.com
🌐 NathanJames.com/help

We do our best to ensure your furniture arrives without any problems, but occasionally mistakes happen - as humans we are imperfect beings. In the event that a part is damaged or missing, we will be more than happy to provide you with replacement part(s) for free.

Warranty

This product comes with a lifetime warranty from the date of purchase. Please use your phone to scan the QR code to register your product or visit <https://goo.gl/i9dk3q>



Did we do alright? Please spread the love!

If you are happy with your product, tell your friends and family about us or even better leave us a review online. Spreading the word gives us the opportunity to make more people happy and keep our prices low for your next purchase.

Brooklyn Burdon

- Founder, Nathan James