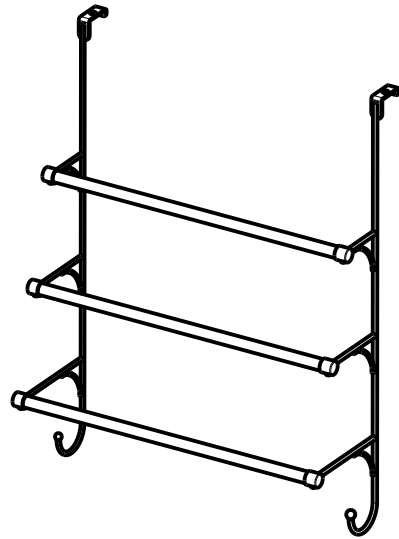
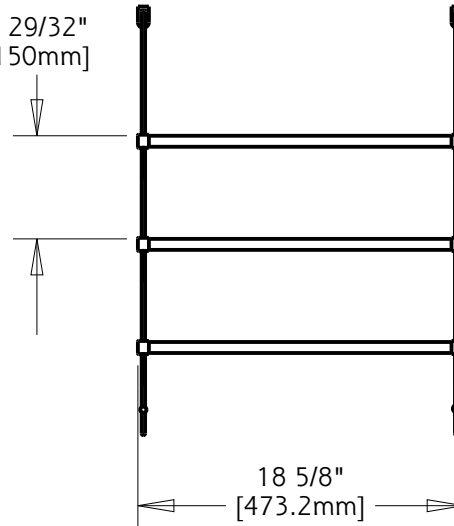


10049

OTD TRIPLE TOWEL RACK w/HOOKS ASSEMBLY

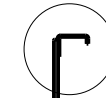


5 29/32"
[150mm]



24 29/64"
[621mm]

18 5/8"
[473.2mm]

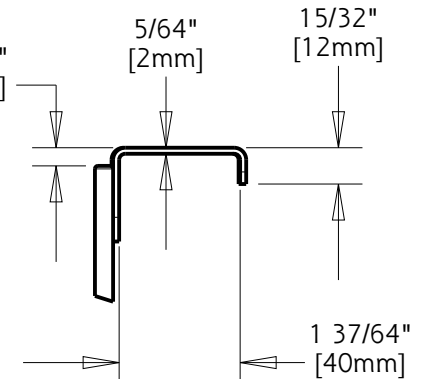


SEE DETAIL A

15/64"
[6mm]

5/64"
[2mm]

15/32"
[12mm]



1 37/64"
[40mm]

DETAIL A

MATERIALS: Left and Right Support - Steel
OTD Bracket - Steel
Towel Bars - Steel
Towel Bar Insert - PVC

SPECIFICATION: Surface mounted towel rack shall be model _____
(fill in model number) by Liberty Hardware Manufacturing Corporation.