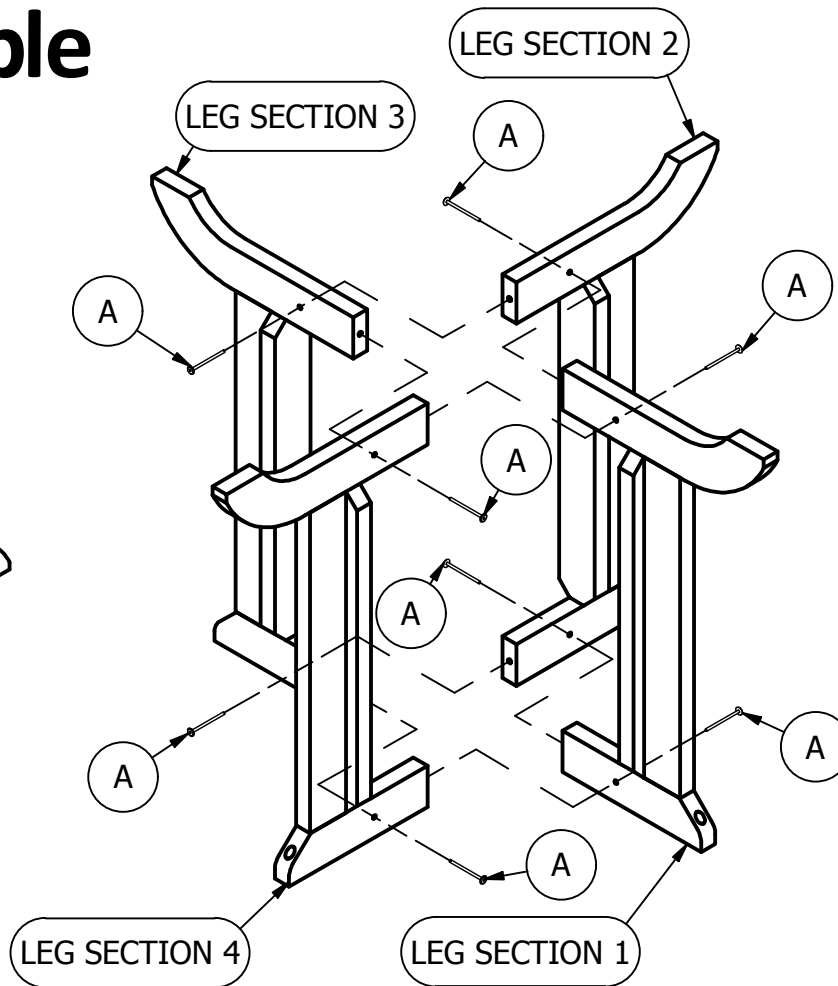
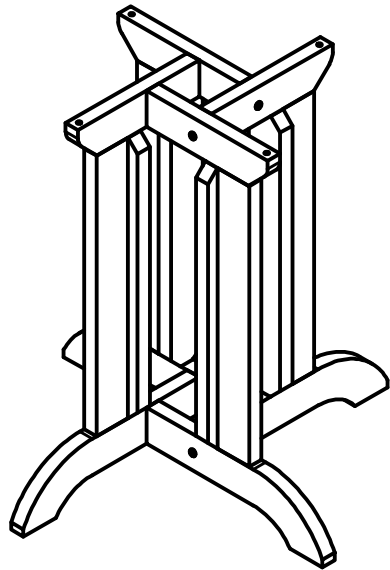


Sequoia Professional Round Table

Assembly Guide





NOTE: All 4 Leg Sections are Identical and Numbered for Order of Assembly Only.

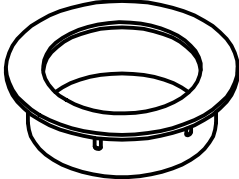
NOTE: DO NOT Tighten Bolts Until Table is Fully Assembled.

- 1) Step 1: Attach Leg Section 1 to Leg Section 2 with (2) "A" Bolts.
- 2) Step 2: Attach Leg Section 2 to Leg Section 3 with (2) "A" Bolts.
- 3) Step 3: Attach Leg Section 3 to Leg Section 4 with (2) "A" Bolts.
- 4) Step 4: Attach Leg Section 4 to Leg Section 1 with (2) "A" Bolts.

HARDWARE

A  X8
1/4-20 X 3"

B  X4
1/4-20 X 2"

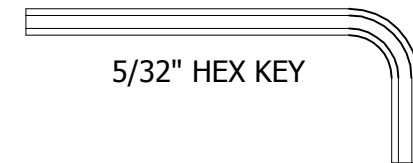
C  X1

IMPORTANT!

DO NOT fully tighten the bolts until all bolts are started. Once all bolts are inserted, go back & tighten all the bolts.

Retain these instructions for future reference

INCLUDED TOOLS



5/32" HEX KEY



SEQUOIA
PROFESSIONAL
by highwood®

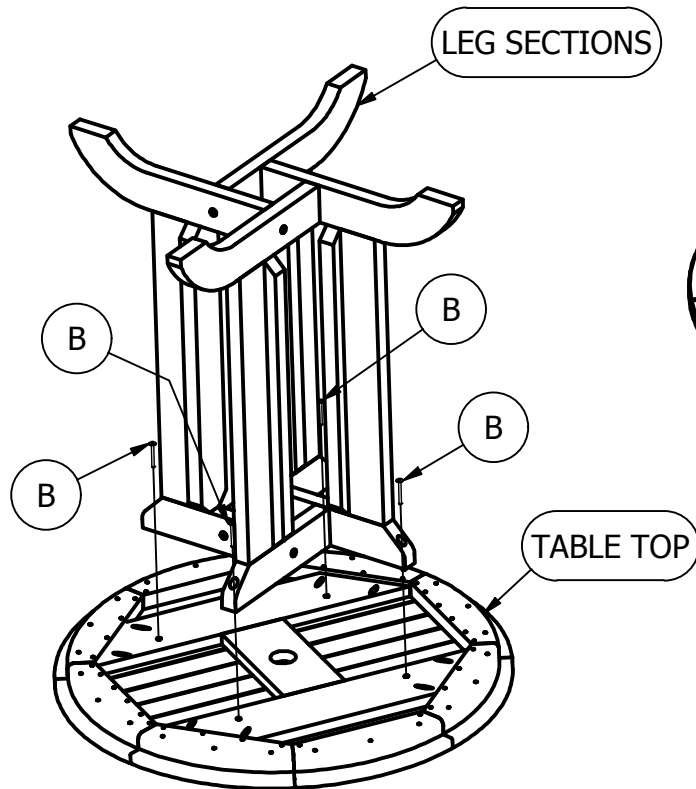
For information on Care and Cleaning or to register your SEQUOIA PROFESSIONAL product by *highwood*®, please visit www.highwood-usa.com.

CM-PEDSQC1
CM-PEDSQD1
03.05.19

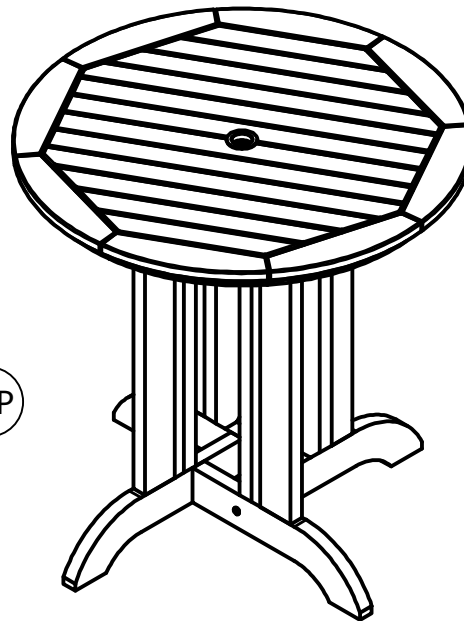
PAGE 1 OF 2

Sequoia Professional Round Table

Assembly Guide



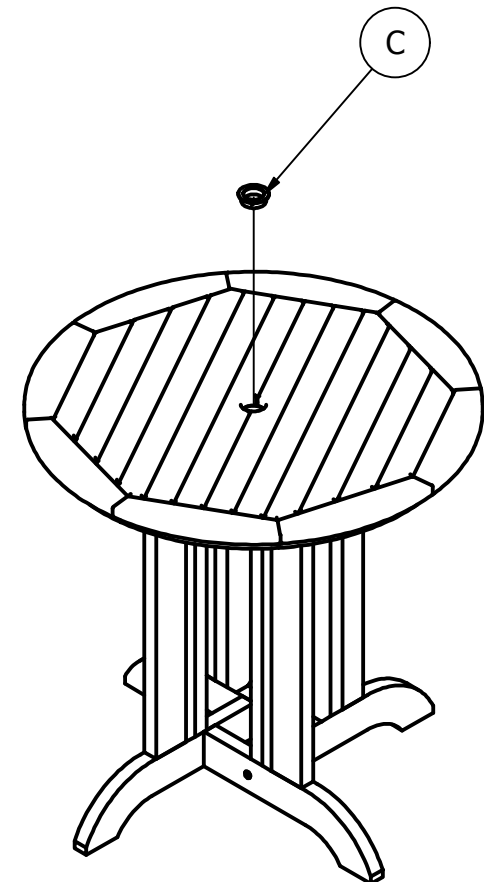
5) Step 5: Attach Leg Sections to Table Top with (4) "B" Bolts.



6) Step 6: Turn the Table Upright on a Flat Surface.

7) Step 7: Tighten all (4) "B" Bolts.

8) Step 8: Tighten all (8) "A" Bolts.



9) Step 9: Install Umbrella Grommet "C" in the Top of the Table.



SEQUOIA
PROFESSIONAL
by **highwood**[®]

For information on Care and Cleaning or to register your SEQUOIA PROFESSIONAL product by *highwood*[®], please visit www.highwood-usa.com.

CM-PEDSQC1
CM-PEDSQD1
03.05.19

PAGE 2 OF 2