



Ella Gel Coat Walk In Tub

OWNER'S MANUAL

REPRESENTING THESE MODEL NUMBERS:

Small 45" Long	264501L / 264501R SOAKING	264502L / 264502R AIR MASSAGE	264503L / 264503R HYDROTHERAPY	264504L / 264504R DUAL MASSAGE
Short 45" Long	284801L / 284801R SOAKING	284802L / 284802R AIR MASSAGE	284803L / 284803R HYDROTHERAPY	284804L / 284804R DUAL MASSAGE
Long	326001L / 326001R SOAKING	326002L / 326002R AIR MASSAGE	326003L / 326003R HYDROTHERAPY	326004L / 326004R DUAL MASSAGE
Low 3.5" Threshold	305211L / 305211R SOAKING	305212L / 305212R AIR MASSAGE	305213L / 305213R HYDROTHERAPY	305214L / 305214R DUAL MASSAGE
Lay Down	306001L / 306001R SOAKING	306002L / 306002R AIR MASSAGE	306003L / 306003R HYDROTHERAPY	
Deep 46" Long	305501L / 305501R SOAKING	305502L / 305502R AIR MASSAGE	305503L / 305503R HYDROTHERAPY	305504L / 305504R DUAL MASSAGE
Front Entry	313701L / 313701R SOAKING	313702L / 313702R AIR MASSAGE	313703L / 313703R HYDROTHERAPY	313704L / 313704R DUAL MASSAGE
Bariatric 33	335501L / 335501R SOAKING	335502L / 335502R AIR MASSAGE	335503L / 335503R HYDROTHERAPY	335504L / 335504R DUAL MASSAGE
Bariatric 35	355501L / 355501R SOAKING	355502L / 355502R AIR MASSAGE	355503L / 355503R HYDROTHERAPY	355504L / 355504R DUAL MASSAGE
Wheelchair Access	325201L / 325201R SOAKING	325202L / 325202R AIR MASSAGE	325203L / 325203R HYDROTHERAPY	325204L / 325204R DUAL MASSAGE

Important Safety Instructions	1
Unpack and Inspect	2
Preparing for Installation	3
Installation of Bath	4
Plumbing Installation	5
Overflow Plumbing Diagram	6
Installing the Faucet System	7
Faucet Options.....	8
Huntington Brass 5 Piece Faucet.....	9-11
Electrical Installation Requirements.....	12
Air Massage System.....	13
Hydro Massage System	14
Final Inspections.....	15
Finishing Installation	16
Operating Instructions.....	17-19
Cleaning and Maintenance	20
FAQ's.....	21
Warranty Information	22
Warranty Activation Form	23-24

WARNING:

*****Read through the entire manual completely before beginning installation.*****

Contract a licensed plumber and electrician for installation. Be sure you and your contractor are aware and follow all local plumbing and electrical codes. Your Ella Walk In Tub is not intended for outdoor use. Install the tub in accordance with the instructions in the manual. Use ONLY the parts and accessories provided or as recommended by the manufacturer.

CAUTION:

When using this product, basic precautions should always be followed. Read and follow all instruction pertaining to risk of fire, electric shock and injury. Make sure to have your licensed electrician test all connections to the dedicated line, including the GFCI.

Risk of electric shock; Do not permit electric appliances within 3 feet (1.5m) of the tub. i.e.: hair dryers, lamps, phones, radios, televisions, etc.

To reduce the risk of injury, do not permit children or individuals with disabilities to use this product unless they are supervised by an able-bodied adult at all times. Never drop or insert any objects into any openings.

Do not turn on the hydro jets without water reaching the waterline. The waterline is the point where all jets are covered with water.

DANGER:

Temperature in excess of 100.4 Fahrenheit (38 Celsius) may be harmful to your health. Check and adjust the temperature before use. Consult your physician before using your Ella Walk In Tub if you have a heart condition or other health issues. People using medications, herbal remedies, sleep aids, and/or having adverse medical history should consult a physician before using this product.

Pregnant women should NOT use this product before consulting their physician. Avoid the use of alcohol, drug or other medication while using your Walk In Tub.

Be aware, hyperthermia is a risk when raising body temperature. Do not keep body submerged in heated bath for extended periods of time. The symptoms of hyperthermia include an increase in body temperature which can cause dizziness, lethargy, drowsiness and fainting. Avoid using the heated bath after strenuous activity.

Exercise caution while entering and exiting your Ella Walk In Tub.

Unpack and Inspect

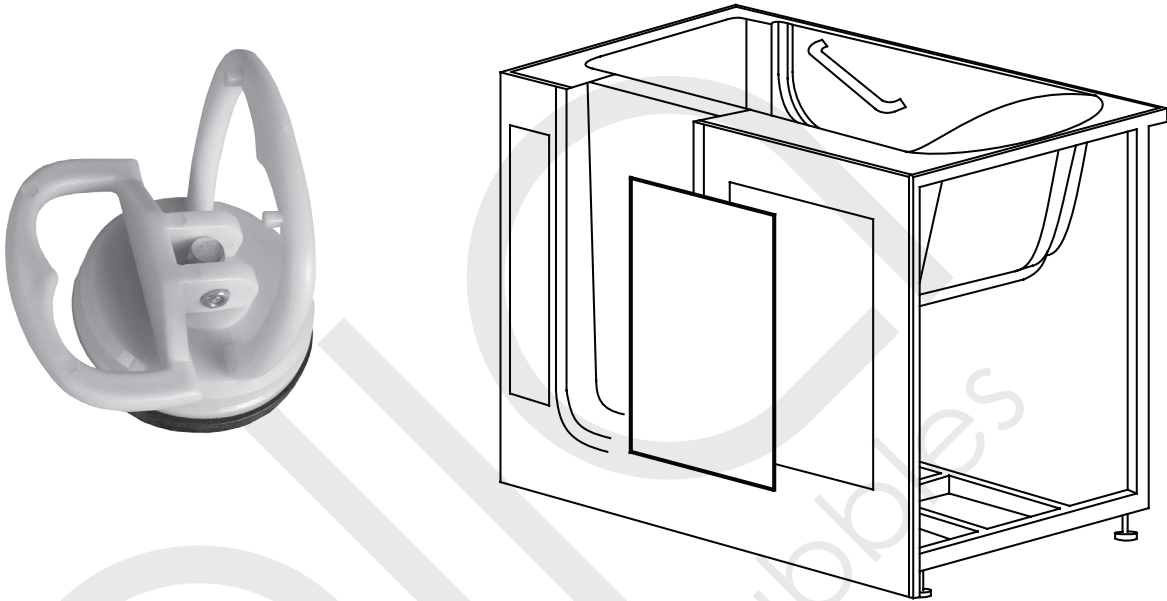


1. While unpacking your new Walk In Tub inspect the product and packing thoroughly for freight damages.

If there are any noticeable damages ***DO NOT ACCEPT the unit from the carrier*** and call us as soon as possible at: 1-800-480-6850

2. Upon receiving your Ella Walk In Tub, please open immediately and check for any damages. Damages due to delivery MUST be reported to Ella within 48 hours of receipt. You can report damages by calling 1-800-480-6850 or emailing us at warranty@ellasbubbles.com.
3. While unpacking your new Walk In Tub, care should be used to retain the packaging in case you discover damage through shipping and need to re-pack the Bath and return it to sender.
4. Never lift the Walk In Tub by its plumbing fixtures. Lift the tub only by its stainless steel frame. Two people are required to move a Walk In Tub.
5. Inspect the plumbing for any fittings that may have loosened in transit.
6. WARNING!!! If the Walk In Tub door comes shipped with the door closed make sure you leave it open overnight so the gasket becomes fully relaxed.
7. Follow all instructions in this manual. Failure to read and comply and read with all instructions can result in product damage or injury to both installer and homeowner. It will also result in assumption of all liability to the installer.

Remove access panels that are held on by magnets. Remove these by using the yellow suction cups on the panel and put them in a safe place until installation is complete.



Place all accessories to the side. Make sure no loose parts are hanging. Lift and carry the bath only by the deck or frame. Protect the bottom of the bath to avoid breaking the jets at the bottom. Only accessories approved by Ella Walk In Tub should be used with this product.

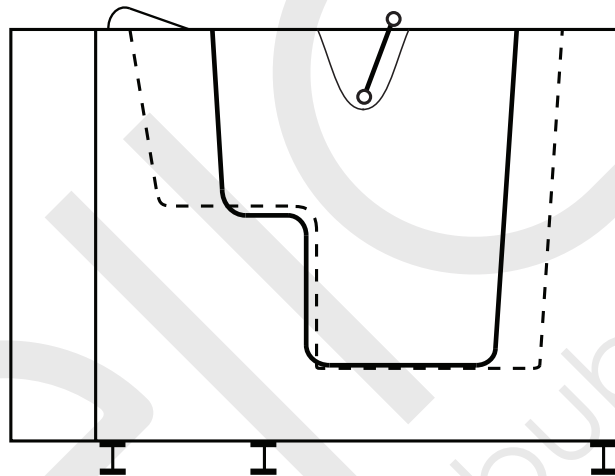
All Ella Walk In Tubs are tested and operated in our factory prior to shipment. Transportation and/or mishandling may cause leaks. Testing the Walk In Tub while you have access to all sides is imperative! ONLY after all of the water and electrical testing is completed, and all fixtures have been checked, the tub should be installed to the surrounded wall or walls.

Place the Walk In Tub on a flat surface where the water can be drained.

With a clean rag, clean the door seal on your Walk In Tub to remove any debris left from the manufacturing process.

Installation of Bath

1. Remove the existing tub and the wall and floor materials as required.
2. Clean area of any debris or trash.
3. Use 4 foot level and determine if the floor is level. If the floor is not level adjust all leveling feet to perfectly level the tub.
4. Make sure you level the Walk In Tub from the highest elevation point on the floor.



Feet on the Walk In Tub need to be leveled

5. All leveling legs of the Walk In Tub must be resting on the floor evenly supporting the weight of the bathtub, in order for the door to work properly without leaks.
6. Start by adjusting the outside legs and make sure they are level. Continue to adjust the legs by adjusting the two (2) in the center of your Walk In Tub. Rough in your plumbing options before leveling, as some options may cause clearance issues underneath the tub.

1. Dry fit the plumbing before final assembly to make sure that the pipe lengths are correct and there is proper clearance throughout.
2. Assemble kit as show. Check your local plumbing codes to insure that proper fixatives (glue) are used.
3. Tighten down the nuts.
4. Install Overflow elbow with gasket. Secure to the tub with retaining plate and nut. Install cover plate and secure with set screw.
5. Install a pipe section so that the door drain tube is located on the horizontal center line.
6. Install the waste elbow with actuator gasket. Secure to the bath with strainer plate and nut.

CAUTION:

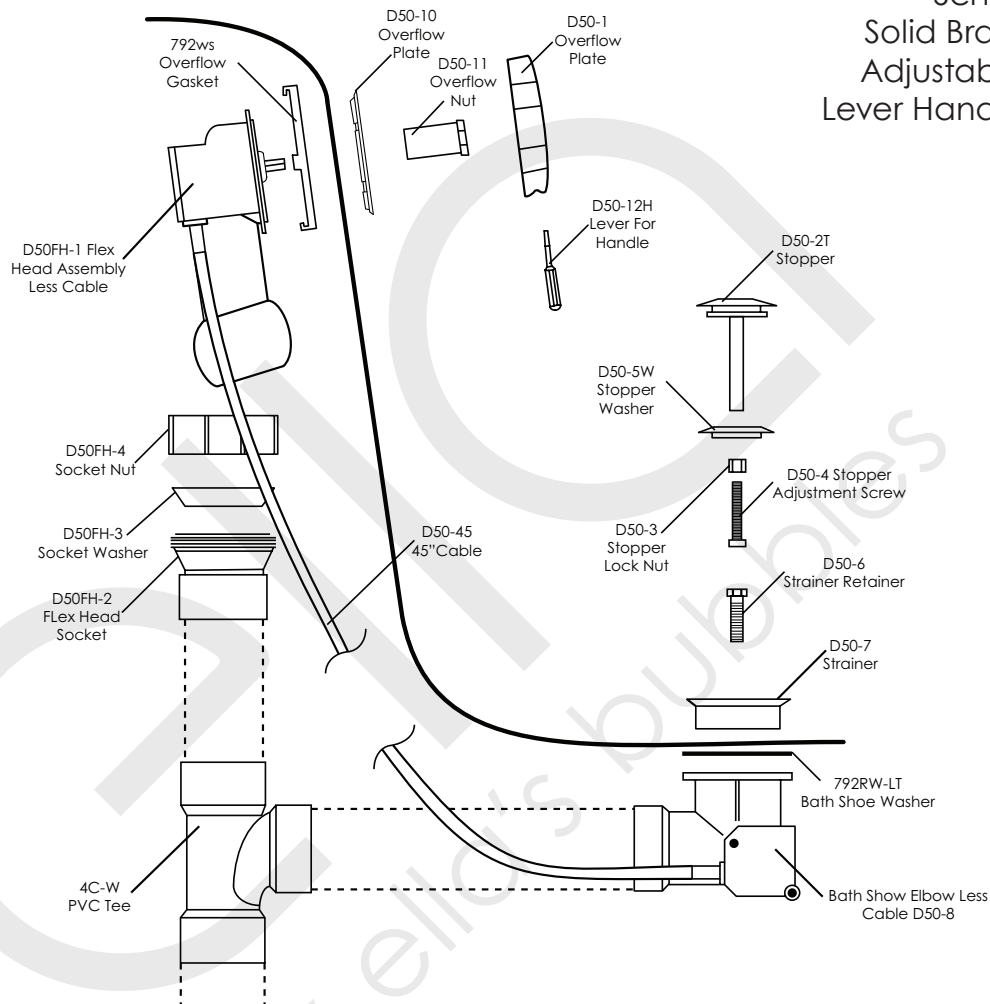
Be sure to adjust the stopper height to allow proper drain function. Test for proper drain function before continuing.

7. Once the drain is effectively draining at the desired height, tighten the screw on top of the strainer to secure drain cap height.
8. Check all connections and tighten down any loose fittings, set screws, etc.

Over-flow Plumbing Diagram

Waste & Overflow Assembly Instructions

Sch 40 PVC Fittings
Solid Brass Finished Trim
Adjustable Head Angle
Lever Handle for Overflow



1. Dry Fit the PVC pipe prior to final assembly to ensure the lengths are correct. Orient Tee as show.
2. Glue fittings using appropriate cement and primer as required by local codes.
3. Mount 792W45 TO D505h-1 using the 4 ears. Place 792RW between Bath Shoe Elbow and under side of tub.
4. Place a thin bead of silicone caulking around the D50-7 Strainer and place it in the tub outlet. Draw the Strainer against the Bath Shoe Elbow with the Strainer Retainer Screw. Do not over tighten or damage can occur.
5. Place the Overflow Nut through the Overflow Plate and draw the Flex Head against the tub by tightening the Nut. Do not over tighten or damage can occur.
6. Slide Overflow Plate onto stem extending from the Flex Head Assembly. Tighten D50-12H into groove in stem to hold handle in place.
7. Adjust stopper height with the adjustment screw and holding the screw height in place with the Stopper Lock Nut.

1. To install the faucet set, begin by using masking tape on the fiberglass surface over the area to be marked-off and drilled.
2. Mark the position of the holes for the faucets/ taps onto the taped off area. Be sure that your piping will not be obstructed by the Walk In Tub stainless steel framework or any other obstacle.

REMEMBER: Measure twice and cut once.

3. To cut the holes use a **coring bit**. Using the tape to help with a clean cut, drill through the surface.
4. Connect the hot and cold water supply lines with a 3/4" water heater type flex hose adapter with a female connector.

CAUTION: Be sure the flex hose has rubber washers on both ends.

In a case where the plumbing is not on the same side as it is on your Ella Walk In Tub, the plumbing may be run underneath your bathtub.

Faucet Options

Ella Gel Coat Walk In Tubs comes with one of two types of faucets.

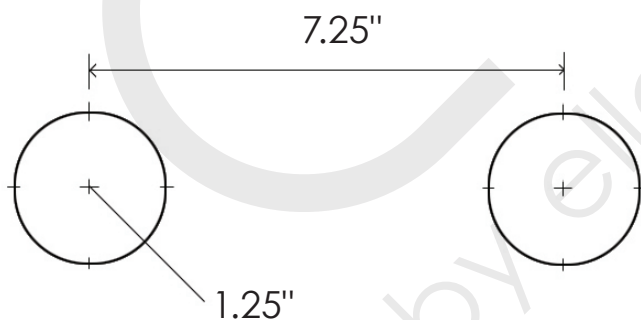
1. One Piece Chrome Finish Brass Faucet
Front Entry and Small 45" Long Walk In Tubs

2. Huntington Brass 5 Piece Roman Faucet
Narrow-Short-Deep-Bariatric-Low-Lay Down-Wheelchair-Long
One Piece Chrome Finish Brass Faucet (comes installed only if requested)

Front Entry, Small



- Full body brass spout
- Hand shower with pull out hose
- Diverter for spout and hand shower
- Hot and cold water control valves



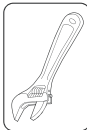
Installation example* of one piece faucet requires holes to be drilled in the manner as described in the illustration. For instructions on surface preparation follow the steps on pg 9.

***DISCLAIMER:** The model of single faucet and drilling instructions may change. Follow original faucet installation instructions.

Faucet installation

HB9937P-xx - ROMAN TUB FILLER WITH HANDSHOWER

Tools You Will Need



Adjustable Wrench



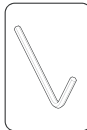
Pipe Tape



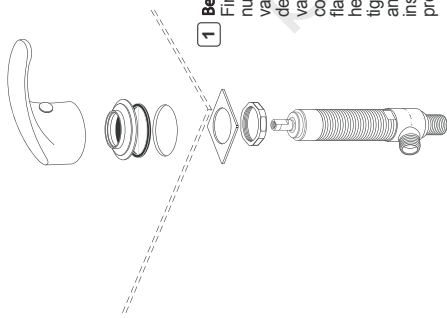
Silicone Caulking



Groove joint plier

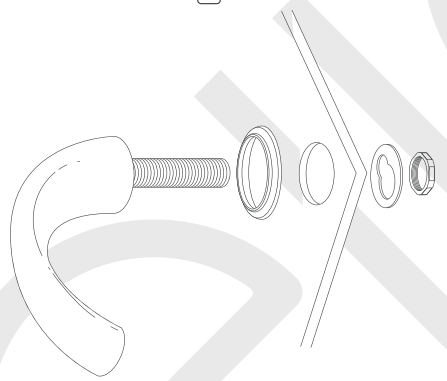


Allen Wrench



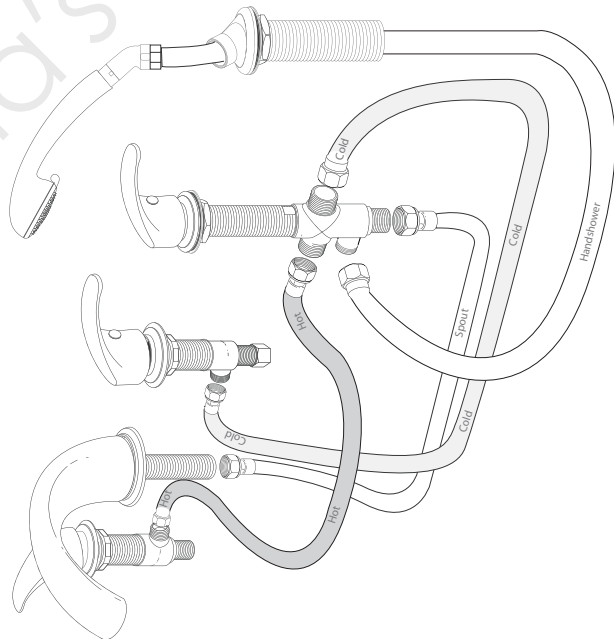
1 Begin installing valve and transfer valve assemblies:

First, make sure that the bottom lock nut and washer are installed on to the valve. Next, from underneath the deck surface slide valve hot side valve assembly up through left hole in counter. Next screw the handle base flange onto the top of the valve. The height of the valve can be adjusted by tightening and loosening the bottom and top lock nuts. Once the valve is installed repeat the same installation process for the cold side valve.



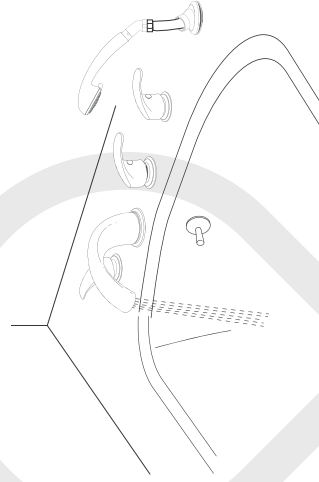
2 Install spout.

First install the spout shank through the center hole and secure from the bottom with the lock nut and washer. Once the spout shank is installed install the spout onto the quick connect nipple of the spout shank. Ensure the gasket under rim of spout is firmly seated in groove.



3 Connecting supply lines:

Finally, connect the braided supply lines to the side outlets of each valve body and then to the connections on the T-connector. Tighten all hose connections by hand tightening and then adding an additional half turn with a wrench. Check for leaks and adjust after installation is completed.



4 Flush system:

Turn main water supply on. Open other faucets around the house to minimize water hammer. Remove the aerator piece from the spout. Turn on both faucet handles and let run for two minutes to clear any debris. Replace aerator. Check for leaks while faucet is running. If you experience any difficulties during installation contact a plumber or call Huntington Brass technical assistance.



Thank you for using
Huntington Brass products

Huntington Brass 5 Piece Roman Faucet



SPECIFICATION / BREAK DOWN

5pc Roman Tub Filler HB9937P

Description

- 8" - 16" Roman Tub Filler
- Solid brass spout
- ceramic disc cartridges
- Quick connect spout installation
- NPS connections
- 18 GPM (average) @ 60 PSI

Standards

- ASME A112.18.1 Compliant
- Listed IAPMO / UPC & cUPC
- ADA Accessibility Guidelines for Buildings and Facilities - 4.27.4 Controls and Mechanisms

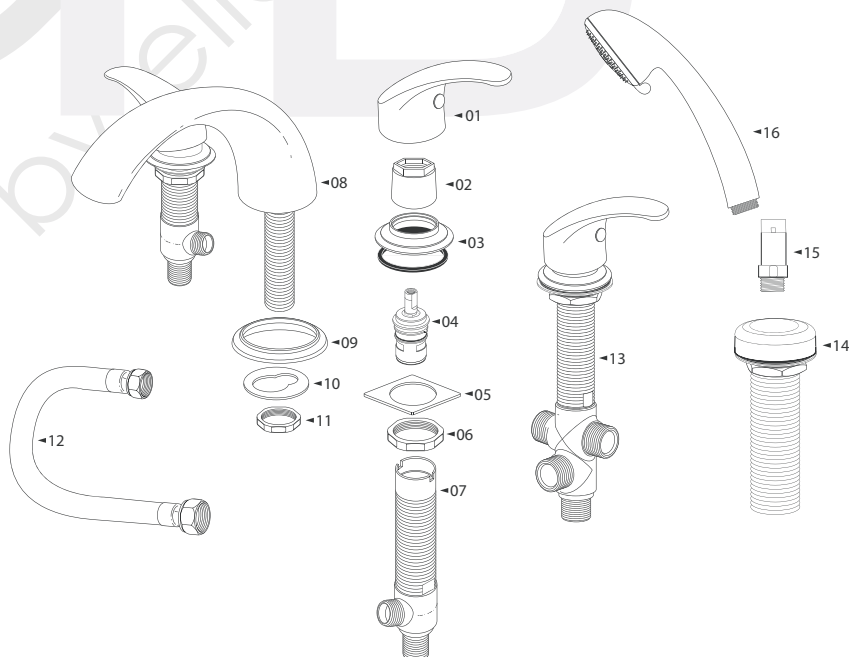


Colors / Finishes

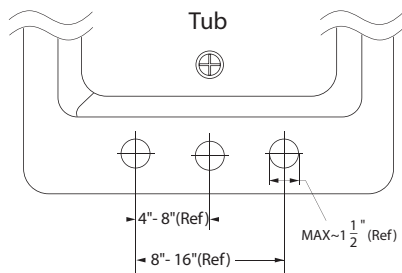
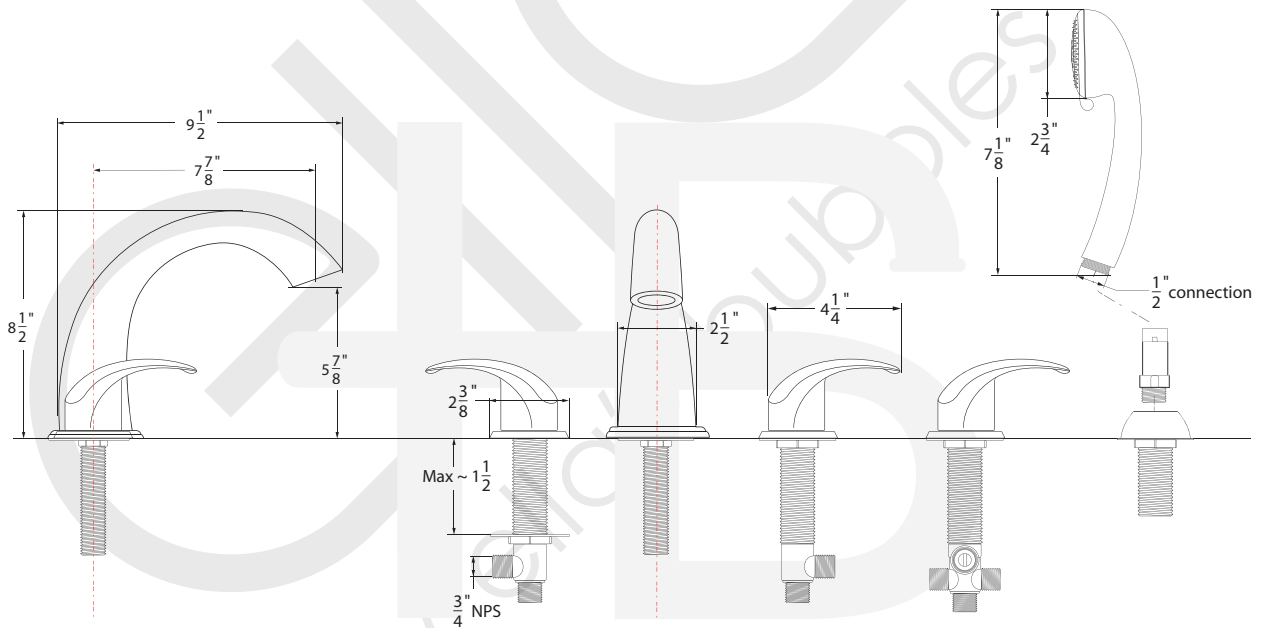
- C - Chrome
- NK - Satin Nickel

BREAK DOWN Component Parts List

#	PART NAME	QTY
1	LEVER HANDLE	3
2	CARTRIDGE RETAINING NUTS	2
3	FLANGE STEP W/ RUBBER RING	2
4	HOT AND COLD CARTRIDGES	1 ea.
5	METAL WASHER	2
6	LOCK NUT	2
7	HOT AND COLD VALVES	1 ea.
8	SPOUT W/ SHANK	1
9	SPOUT RING	1
10	METAL WASHER	1
11	LOCK NUT	1
12	HOSE	2
13	TRANSFER VALVE SET	1
14	HAND SHOWER HOLDER ASSEMBLY	1
15	45 DEGREE ELBOW	1
16	HAND SHOWER	1



SPECIFIED MODEL



Item Number	Type	Date
HB9937P	5-pc Roman Tub Filler	05/04/2012

Electrical Installation Requirements



Installation of electrical components must be done by a licensed electrician.

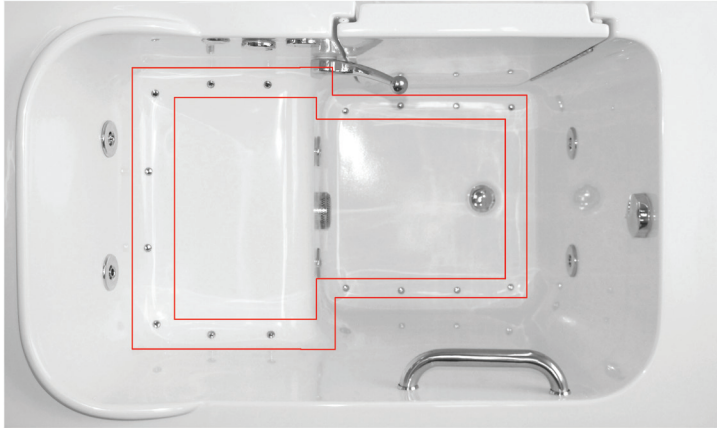
Important: All units need a NEMA plug to be plugged into a GFCI outlet that is connected to a separate circuit with a 20AMP breaker run directly from breaker panel box.

*****WARNING***** If the GFCI fails to operate, there is ground current flowing, indicating the possibility of electrical shock. Do not use your Walk In Tub until a repairman has addressed the fault.

Before making any electrical connections, make certain that the electrical connection is turned OFF at the breaker. Take precaution so as the breaker is not switched accidentally during the installation process.

All units with plug in motors and or heaters must be connected to a (GFCI) Ground Fault Circuit Interrupter. This should be tested on a regular basis.

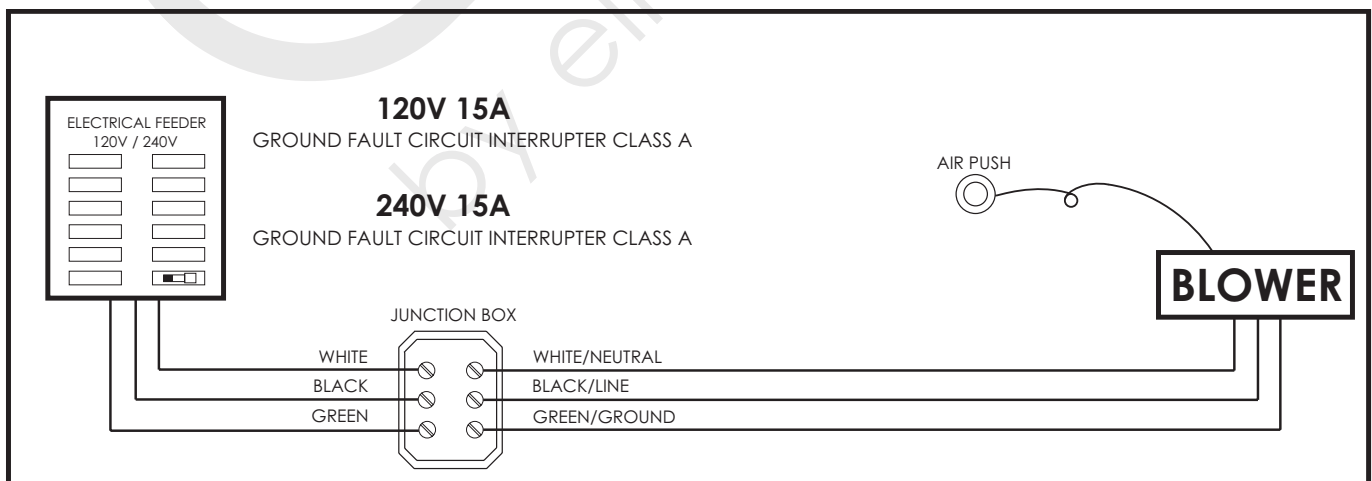
To test the GFCI, push the test button. Upon testing, the GFCI should interrupt the power. Push the reset button to restore power.



18 Air Jet System

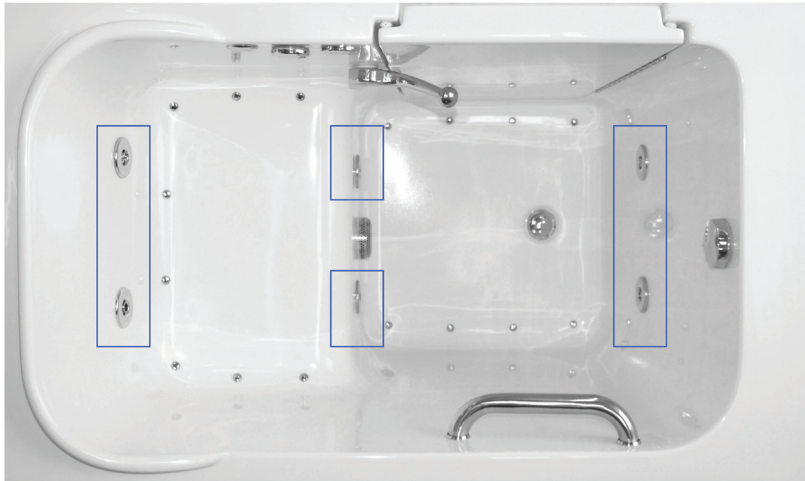
FEATURES:

- 3 Speed air switch: high, medium and low.
- 20 Minute timer.
- 500 Watt Air Blower Motor
- 300 Watt Ceramic Air Heater
- 1 Minute purge cycle 20 minutes after the system has been turned off
- Specially designed for a quieter performance
- All models are equipped with high quality exclusive long life brushes.
- Integrated thermal protection
- Heater Thermostat
- CSA, CSA-US. UL KETI and AS/NZS certified

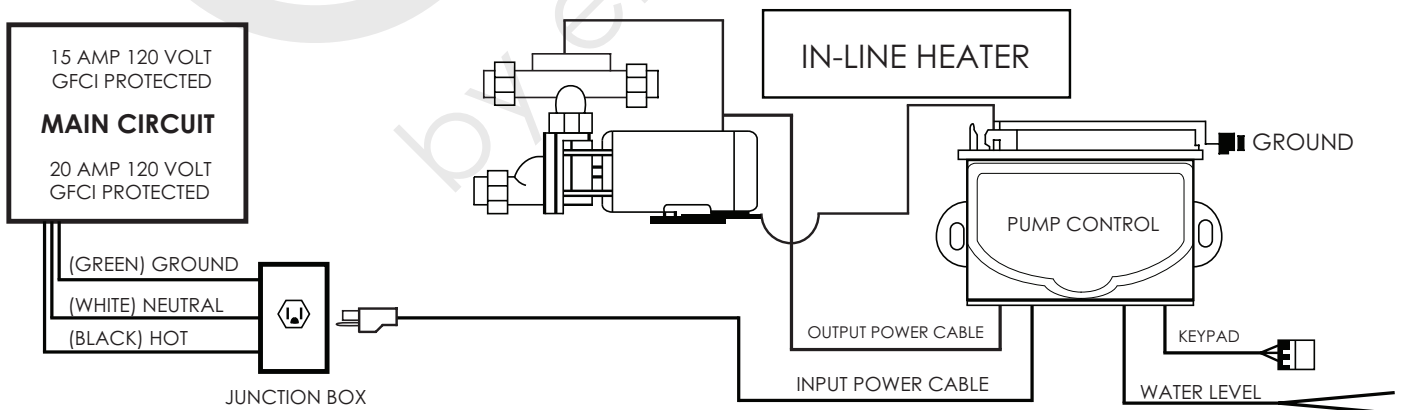


Hydro Massage System

Hydro pump comes with an In-Line water heater.

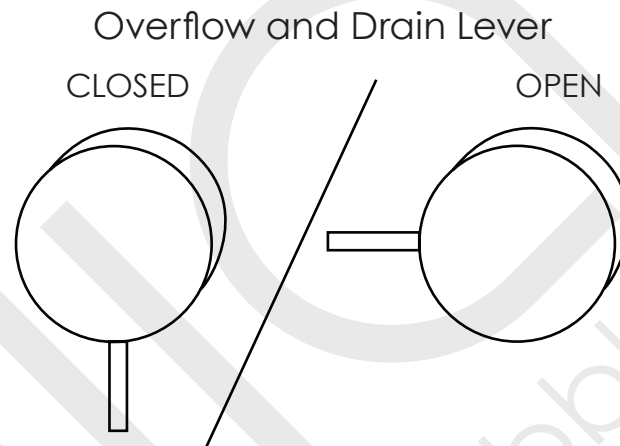


6 Hydro Jet System



After both the electrical and plumbing installation are done, a final inspection of these parts needs to be completed before finishing the installation.

Close the drain and fill the Walk In Tub until it is up to a normal water height level which is 1" to 2" below the overflow and drain lever.



Allow the water to stand in Walk In Tub for 30 minutes and then inspect all plumbing and seals for leaks. If there are any leaks or concerns call 1-800-480-6850.

If the Walk In Tub is jetted, supply electricity to unit and run for 10 minutes then inspect for leaks. Inspect the unions around the pump; if leaks persist from the unions after tightening; loosen the unions and insure that the O-ring is seated properly.

If the pumps do not operate check the breaker to insure power is on and the cable connection the controls to the pump is attached.

Ensure all jets are opening and working. Make sure they operate at all speeds.

Before filling your Ella Walk In Tub with water, be sure to wipe down the door seal and the surrounding surface of the door jam. Use a damp washcloth to remove any debris, construction dust and oils that may prevent the seal from working properly.

Fill your Ella Walk In Tub with water. After at least 5 minutes check the installation for leaks along the door seam and plumbing connections.

If applicable, turn on the pump and or blower, let it run for at least 5 minutes. Check again for leaks while the equipment is still running. Check by hand where visual inspections are not possible.

Finishing Installation



An extension Panel is used to extend the length of your Ella Walk In Tub to a 60" length. Some installations require trimming the extension Panel. Cutting the extension pieces should be done with a reciprocation saw; a progressive blade is best or a bi-metal blade will work as well.

Measure the distance between the wall and the Walk In Tub by the three corners and at the middle of each length so as to detect any variance in the shape of the wall.

Use masking tape to cover where the cut will be made and then make your marks on the tape. Trim the pieces while cutting through the tape to ensure a clean cut.

REMEMBER: Make sure your measurements are correct before making final cut.

Some installations may use trim molding along the bottom. Use Silicone to adhere the molding to your Walk In Tub.

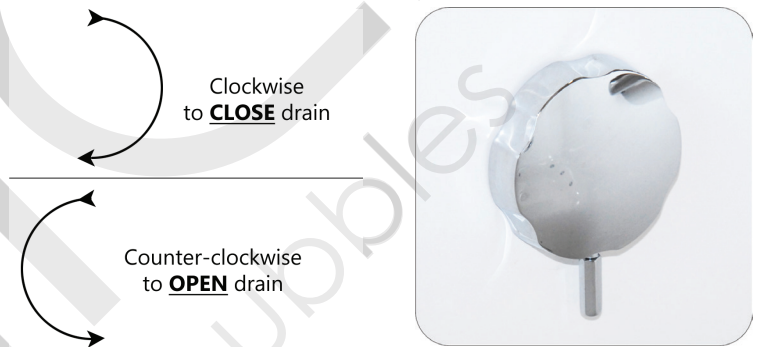
1. Entering Your Ella Walk In Tub

Enter your Walk In Tub then close and seal the door by pulling the handle toward you, into the locked position.

WARNING: The Walk In Tub door handle is put together with the strongest materials available, though it will not withstand a person putting their entire weight against it while either trying to pull themselves up out of the bath or using excessive force closing the door. If misused in either of these ways the bottom of the handle will ultimately break away from its mount. This handle is designed as a closing mechanism and nothing more. Misuse of the handle will not be covered by the warranty.

2. Using the Drain System

Close the floor drain by twisting the overflow knob clockwise.



3. Using Faucets

Fill your Ella Walk In Tub to a normal fill height, about 1" to 2" below the overflow handle.

4. One Piece Chrome Brass Faucet*

The one piece faucet comes equipped with a hand shower and ADA compliant handles for ease of operation.



***Disclaimer:** The model of single faucet and drilling instructions may change. Follow original faucet installations instructions.

5. Huntington Brass 5 Piece Roman Faucet

The ADA compliant 5 piece system is equipped with individual handles for hot and cold water and a stand alone diverter for the included hand shower.



6. Using the Pumps

The water level in your Walk In Tub must be appropriately 2" above the jets before the Air or Hydro systems should be turned on to avoid possible damage to the pumps.

Please read carefully before operating your Hydrotherapy System

Recommended maximum time of use is for 20 minutes. If the three speed Hydrotherapy system is left on it will automatically shut itself off after 20 minutes.

Do not dry run the pumps. Damage due to dry running the pump(s) is not covered under the warranty.

7. Air Massage System

Air Massage 3 Speed Control.

Step 1: Button is located on the same side as the Walk In Tub door handle.


Step 2: To operate press the air button.

Press button "Once" for **LOW** speed

Press button "Twice" for **MEDIUM** speed

Press button "Three Times" for **HIGH** speed

Press button "Four Times" to turn **OFF**

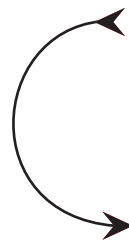
Next to the Air button, a circular dial lets you change the volume of air being introduced into the Hydro massage system. As the dial is turned clockwise  more air is introduced.



***NOTE:** The Air Volume Dial does not control the air jets. This dial adds air to the water jets which changes the speed of the water jets.

9. Exiting the Walk In Tub

After you are done bathing, turn the overflow knob counter-clockwise to drain the water from the tub. Wait until the water has drained fully from your Ella Walk In Tub before pulling the door handle up and toward you. Carefully exit your bath.



Counter-clockwise to **OPEN** drain

Cleaning and Maintenance



Regular care of your Ella Walk In Tub will keep it clean and have it working at its best for many years to come. The best way to counteract from detrimental affects occurring is to prevent water from remaining on any finished surface on the Walk In Tub. Wipe down your Walk In Tub after every use!

DO NOT under any circumstances use wire brushes, metal sponges, steel wool, or scouring pads on any part of your Ella Walk In Tub.

DO NOT under any circumstances use powerful solvents such as acetone, lacquer, paint thinner, benzene or abrasive cleaner on any part of your Ella Walk In Tub.

DO NOT use ammonia or chlorine based agents on any plated surface, as they will de-plate the surface and void your warranty.

DO NOT use any liquids, powders or oils in the water if you have an air and/or Hydro system. Oil or grease spots can be lifted with denatured alcohol.

Use liquid, non-bleach dish washing detergent to remove any construction residue.

To restore luster to a dulled surface, lightly rub a liquid compound (such as a polishing compound for cars) followed by a light application of liquid or paste wax.

Cleans plated surfaces with warm water only.

It is strongly suggested to keep the door in an open position allowing the door seal to remain relaxed while the tub is not in use to extend the lifetime of the door seal.

Q: "The door seal isn't completely compressed. Should I try adjusting the door to make it tighter?"

A: NO, there is no need to. Never adjust, move, undo or tamper with the door hinge. In some cases the door seal needs to reform its shape. This can easily be done by allowing the door to stay open when not in use.

Q: "How often should I clean my Ella Walk In Tub?"

A: Wipe your tub off after each use. It is important to wipe your door seal and remove any debris.

Q: "Can I have a bubble bath in my Walk In Tub?"

A: Use some oils but do not use salts in your Walk In Tub. Using bath oils will require more frequent cleaning of the bathtub and its components.

Q: "If I chip my Walk In Tub with a sharp object, what should I do?"

A: Purchase a fiberglass repair kit and follow the product directions and apply it to the chip.

Q: "Can I use the door to lean on for support while getting in and out of the bath?"

A: NO. Do not use the Walk In Tub for supporting your weight. Do not alter the door fittings, tamper with the hinge or try to get a closer fit on the door seal.

Q: "Is there any routine maintenance to the door or hinge?"

A: No, do not tamper with the Walk In Tub door or handle.

Visit our FAQ's at: www.ellasbubbles.com or call for assistance at: 1-800-480-6850



Ella Gel Coat Walk In Bath Warranty Information

Unit manufactured of fiberglass reinforced polyester resin, that it will, free of charge, repair any Ella's unit found to be defective in material or workmanship upon inspection by an authorized representative of Ella's for a period of thirty (30) years from the date of purchase of the unit by a qualified professional. The exchange of a unit is limited to supplying a replacement unit of comparable size and style and does not include any cost of removal or installation. Any component part supplied by Ella's carries the same limited warranty provided by the supplier only. This warranty shall be voided if the unit is moved from its place of initial installation or is not installed in accordance with the instructions supplied by the manufacturer of the unit. Further, this warranty does not apply if the unit has been subjected to accident, abuse, misuse, damage caused by flood, fire, or act of God. The owner agrees by use of the unit that the obligations of Ella's Bubbles, LLC. shall not exceed to contingent or indirect damage or injury to the structure of its contents, that the obligations of Ella's Bubbles, LLC. are limited to those set forth herein, and that no other obligations, expressed or implied, are assumed by Ella's.

All mailing notification must be sent via certified mail to:

Ella's Bubbles, LLC.
2101 S. Carpenter Street
Chicago, IL 60608
Email: info@ellasbubbles.com

INSTALLER'S INFORMATION

Name

Address

City

State

Zip

Telephone

Email

Date

Signature

Upon completing the installation of an Ella Walk In Tub, the following Warranty Activation Form must be completed, signed by both the customer and installer, and returned to Ella's Bubbles, LLC. In order for the Warranty to be activated (faxed, scanned, or emailed, or hard copy mailed).

To be initialed by the installer(s)

- ___ Tub is level in all directions and all support legs are touching the ground.
- ___ Tub is installed on a dedicated 30 Amp GFCI protected circuit using 10 gauge wire
- ___ Frame of the tub has been properly grounded.
- ___ Door Seal has been cleaning with rubbing alcohol to remove any dust or debris left over from construction.
- ___ Temperature Control Valve operated on both hot and cold settings.
- ___ Both diverters function properly.
- ___ Hand Shower functions on all settings without leaking.
- ___ All supply lines have been checked for leaks while both diverters are on.
- ___ Drains open and close properly, and the locking nut has been tightened on both stoppers.
- ___ Door seal is water tight after tub has been filled for a minimum of 20 minutes.
- ___ After running for a minimum of 20 Minutes both the Hydro and Air Pumps are functioning properly and all connections to the pumps and jets are water tight.
- ___ Chromatherapy Light and the Ozone Sterilization are working properly. (When the Ozone is on by itself it will make a light humming noise).
- ___ All drain fittings have been checked for leaks while the tub is draining.
- ___ Unit is installed with access to both plumbing and electrical connections.



Warranty Activation Form

2 of 2

OWNER'S INFORMATION

Name

Address City State Zip

Telephone Email

Date Signature

Model: _____ Serial Number: _____

Purchase Date: _____ Purchase Price: _____

Place of Purchase: _____

Contact Name: _____ Phone Number: _____

**Copy of sales receipt must be included
with warranty activation forms.**

To activate manufacturer's warranty, please complete both pages and use one of the options below to submit.

Via mail: Ella's Bubbles, LLC.
Warranty Department
2101 S. Carpenter St., Chicago, IL 60608

Via fax: 1-312-666-3551

Via email: warranty@ellasbubbles.com