

duraflame

**MODEL/ MODÈLE/ MODELO:
DFI021ARU**

Español P.10

Français P.18



800-318-9373

TWIN-STAR
INTERNATIONAL
HOME FURNISHINGS

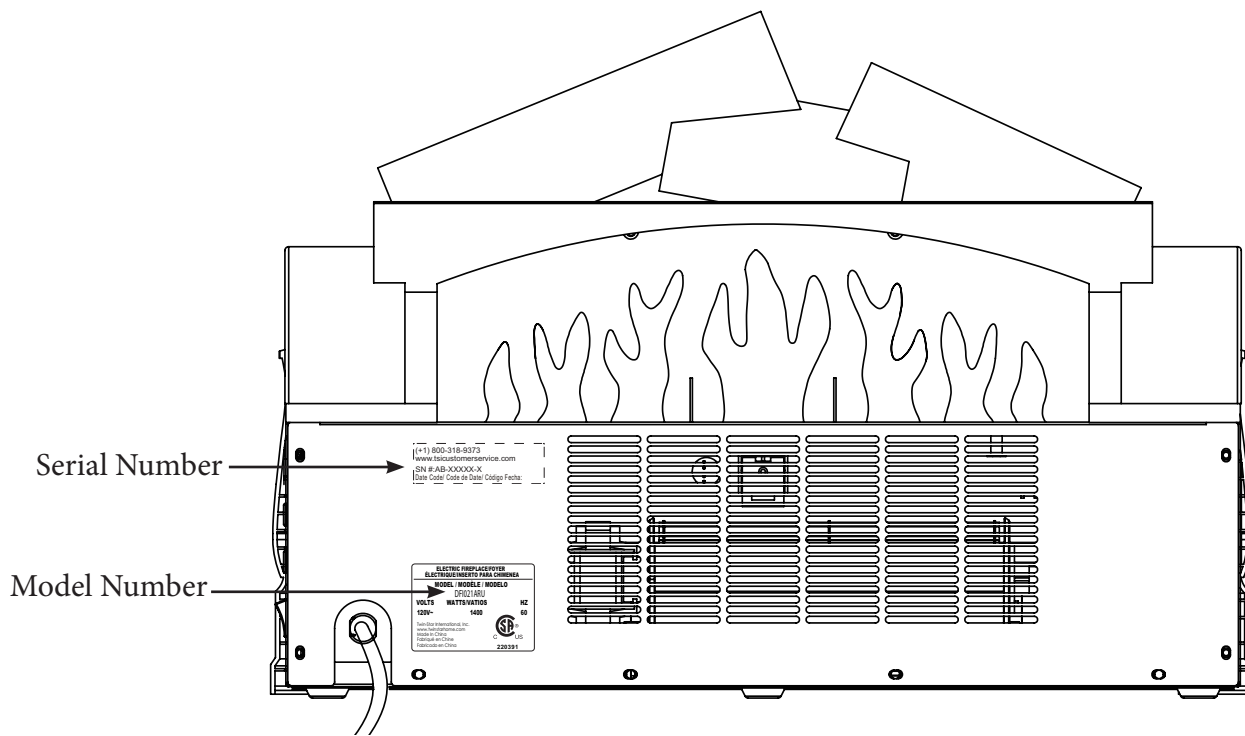
www.tsicustomerservice.com

Twin-Star International, Inc; Delray Beach, FL 33445

Made in China • Printed in China • Fabricado en China • Impreso en China • Fabriqué en Chine • Imprimé en Chine

GETTING STARTED

1. The serial number is located on the back of the fireplace, the serial number is necessary for product warranty registration and customer service.



2. Go to www.tsicustomerservice.com for product warranty registration. If you are unable to complete registration save your proof of purchase for warranty purposes.

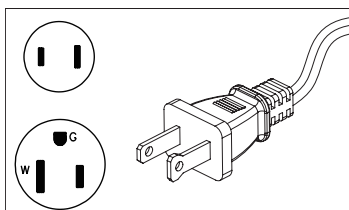
PRODUCT SPECIFICATIONS

VOLTAGE	120VAC, 60 Hz
AMPS	11.7 Amps
WATTS	1400 Watts

IMPORTANT INSTRUCTIONS

When using electrical appliances, basic precautions should always be followed to reduce the risk of fire, electrical shock, and injury to persons including the following:

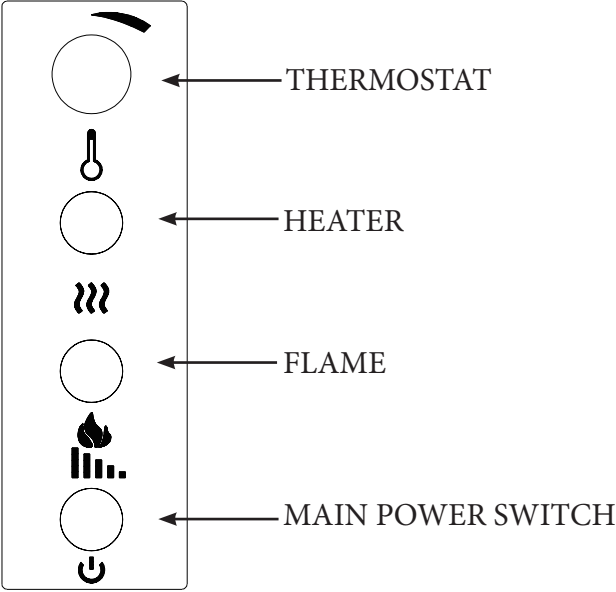
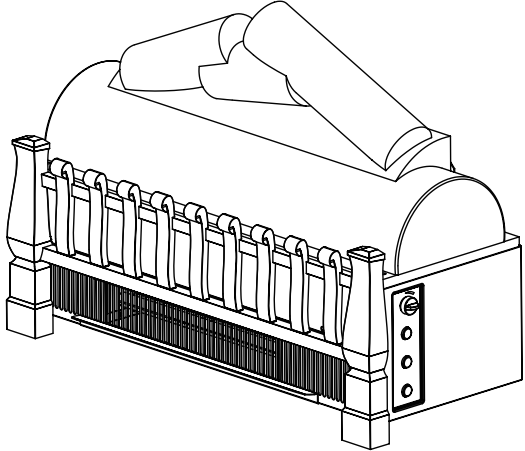
1. Read all instructions before using this appliance.
2. **DANGER** – High temperatures may be generated under certain abnormal conditions. Do not partially or fully cover or obstruct the front of this heater. **WARNING:** In order to avoid overheating, do not cover the heater.
3. This appliance is hot when in use. To avoid burns, do not let bare skin touch hot surfaces. If provided, use handles when moving this appliance. Keep combustible materials, such as furniture, pillows, bedding, papers, clothes and curtains at least 3 feet (0.9 m) from the front of this appliance and keep away from the sides and the rear.
WARNING: In order to avoid overheating, do not cover the heater.
4. **CAUTION:** Never leave the heater operating unattended. Extreme caution is necessary if unsupervised children or invalids are nearby.
5. The appliance is not to be used by children or persons with reduced physical, sensory or mental capabilities, or lack of experience and knowledge, unless they have been given supervision or instruction.
6. Always unplug this appliance when not in use.
7. Do not operate any heater with a damaged cord or plug or after the appliance malfunctions, or if it has been dropped or damaged in any manner.
8. If the supply cord is damaged, it must be replaced by the manufacturer, its service agent or similarly qualified persons in order to avoid a hazard.
9. Do not use outdoors.
10. This heater is not intended for use in bathrooms, laundry areas and similar indoor locations. Never locate this appliance where it may fall into a bathtub or other water container.
11. Do not run cord under carpeting. Do not cover cord with throw rugs, runners or the like. Arrange cord away from traffic areas and where it will not be tripped over.
12. To disconnect this appliance, turn controls to the off position, then remove plug from outlet.
13. This product is equipped with a polarized plug (one blade is wider than the other blade). To reduce the risk of electrical shock, this plug will fit into a polarized outlet only one way. This is a safety feature. If you are unable to insert the plug into the electrical outlet, try reversing the plug. If the plug still does not fit, contact a qualified electrician. Avoid the use of an extension cord because the extension cord may overheat and cause risk of fire. However, if you have to use an extension cord, the cord must be No.14 AWG minimum size and rated not less than 1875 Watts. The extension cord must be a three wire cord with grounding type plug and cord connection. The extension cord shall not be more than 20 feet (6 m) in length.



14. Do not insert or allow foreign objects to enter any ventilation or exhaust opening as this may cause an electric shock or fire, or damage the appliance.
15. To prevent a possible fire, do not block air intakes or exhaust in any manner. Do not use on soft surfaces, like a bed, where opening may become blocked.
16. This appliance has hot and arcing or sparking parts inside. Do not use it in areas where gasoline, paint or flammable liquids are used or stored. This fireplace should not be used as a drying rack for clothing. Christmas stockings or decorations should not be hung in the area of it.
17. Use this appliance only as described in the manual. Any other use not recommended by the manufacturer may cause fire, electric shock or injury to persons.

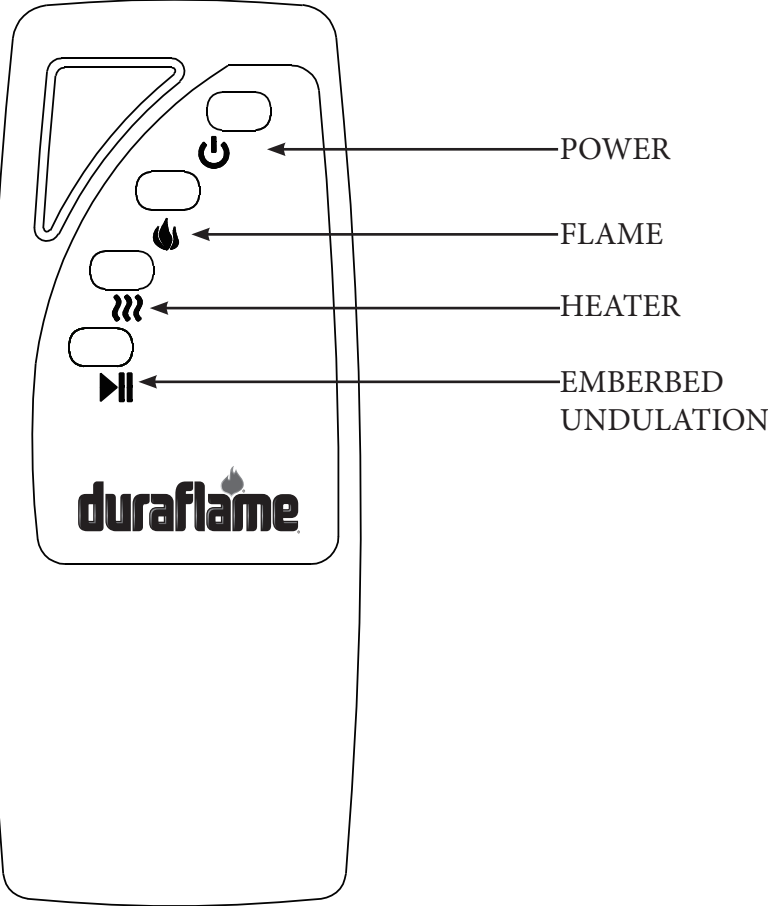
SAVE THESE INSTRUCTIONS

OPERATION INSTRUCTIONS








Control Panel

The fireplace can be operated by either the remote control or the control panel.



OPERATION INSTRUCTIONS

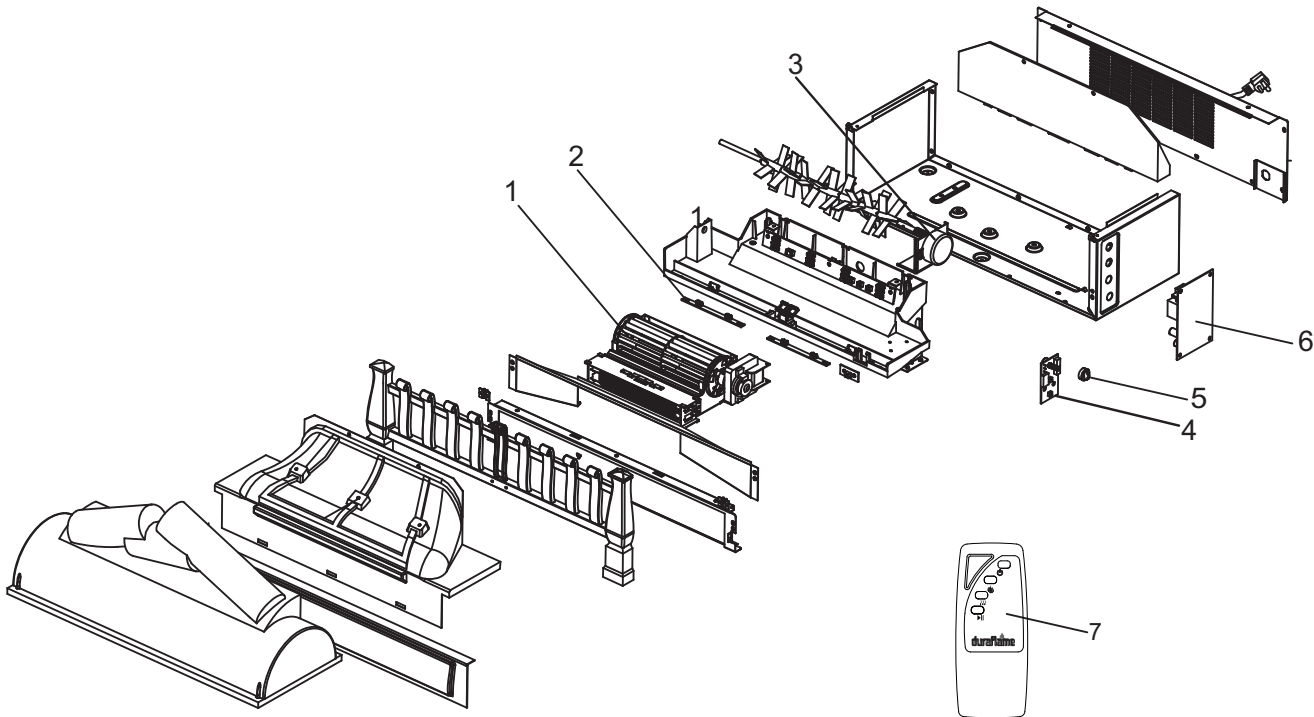
FUNCTION	ICON	DESCRIPTION
POWER		The MAIN POWER switch supplies power to all of the function of the fireplace. The switch must be in the ON position for any functions or the remote to work.
FLAME		Each time the FLAME button is pressed, the intensity of the flame decreases. There are five brightness levels that can be selected.
HEATER		The HEAT button will turn ON/ OFF the heater.
THERMOSTAT		<p>The thermostat knob controls the thermostat setting.</p> <p>Turning the knob clockwise will increase thermostat setting. Rotating the knob counter-clockwise will decrease the thermostat setting.</p> <p>When the heater reaches the thermostat setting it will turn off until the room cools at which point the heater will turn back on.</p>
EMBERBED UNDULATION EFFECT		This button on the remote control plays or pauses the undulating emberbed effect.

TROUBLE SHOOTING

Problem	Root Cause	Corrective Action
No power	Power cord was not plugged into the outlet.	Check that the unit is plugged into a standard 120V outlet.
Logs Glow, flame effect does not work.	Spinner Motor.	Check whether Flame Generator drive motor is running . If not call the customer service.
Flame effect operates, but heater does not blow warm air.	Heater is not on position.	Try to turn ON/OFF HEATER button several times to make sure it is in ON position.
	Temperature is set at low.	Make sure that the TEMPERATURE knob is set to the max setting.
The heater shut off and won't come back on.	Manual Reset Triggered	Turn the POWER to "OFF" and unplug the unit from the wall outlet for 5 minutes. After 5 minutes plug the unit back into wall outlet, and operate as normal. If the problem persist contact customer service.
Power cord gets warm.	Normal operation	Check your heater cord and plug connections. Faulty wall outlet connections or loose plugs can cause the outlet or plug to overheat. Be sure the plug fits tight in the outlet. Heaters draw more current than small appliances, overheating of the outlet may occur even if it has not occurred with the use of other appliances. During use check frequently to determine if your plug outlet or faceplate is HOT! If so, discontinue use of the heater and have a qualified electrician check and/or replace the faulty outlet(s).
Remote Control is not working.	No batteries	Change the remote batteries.
	Poor Signal	Operate remote transmitter at a slow measured pace. Press the remote control buttons with an even motion and gentle pressure. Repeatedly pressing buttons in rapid succession may cause the transmitter to malfunction.
	Distance	Operate the remote at a distance less than 20 feet from the front of the appliance; point the remote at the control panel.
Unit continues to run after reaching set temperature/or powering off.	Cool down cycle	Normal operation, will continue to run for several minutes before shutting down. Times will vary based on heating. UNIT WILL BLOW COOL AIR.
Flame effect works but heater function does not and the embered flashes when the heater button is pressed.	The heater is disabled.	With the power on and press and hold the heater button on the control panel for 10 seconds. once re-enabled the embered lights will flash multiple times.

EXPLODED VIEW

Part	Part Name	Part Number
1	Blower/Heater Assembly	Y14-S144-P01
2	Emberbed Circuit Board	Y14-S144-P44E
3	Flame Generator Drive Motor	P10-Q-S
4	Control panel circuit board	Y16-S144-P32
5	Knob for heater temperature control	P05-S
6	Main circuit board	Y16-S144-P15
7	Remote control	P113



CARE AND MAINTENANCE

- Clean the trim using a soft cloth, slightly dampened with citrus oil based product and buff with a clean soft cloth.
- DO NOT use brass polish or household cleaners as these products will damage the metal trim. Citrus oil based products can be obtained at supermarkets or hardware stores.
- WARNING: Electrical outlet wiring must comply with local building codes and other applicable regulations to reduce the risk of fire, electrical shock and injury to persons.
- Warning: Disconnect power before attempting any maintenance or cleaning to reduce the risk of fire, electrical shock or personal injury.

FCC/IC INFORMATION

Warning: Changes or modifications to this unit not expressly approved by the party responsible for compliance could void user's authority to operate the equipment.

NOTE: This equipment has been tested and found to comply with the limits for Class B digital device, pursuant to part 15 of the FCC Rules. These limits are designed to provide reasonable protection against harmful interference in a residential installation. This equipment generates, uses, and can radiate radio frequency energy and, if not installed and used in accordance with the instructions, may cause harmful interference to radio communications.

However, there is no guarantee that interference will not occur in a particular installation. If this equipment does cause harmful interference to radio or television reception, which can be determined by turning the equipment off and on, the user is encouraged to try to correct the interference by one or more of the following measures.

- Reorient or relocate the receiving antenna.
- Increase the separation between the equipment and the receiver.
- Connect the equipment into an outlet on a circuit different from that to which the receiver is connected.
- Consult the dealer or an experienced radio/TV technician for help.

This device complies with Part 15 of the FCC Rules. Operation is subject to the following two conditions:

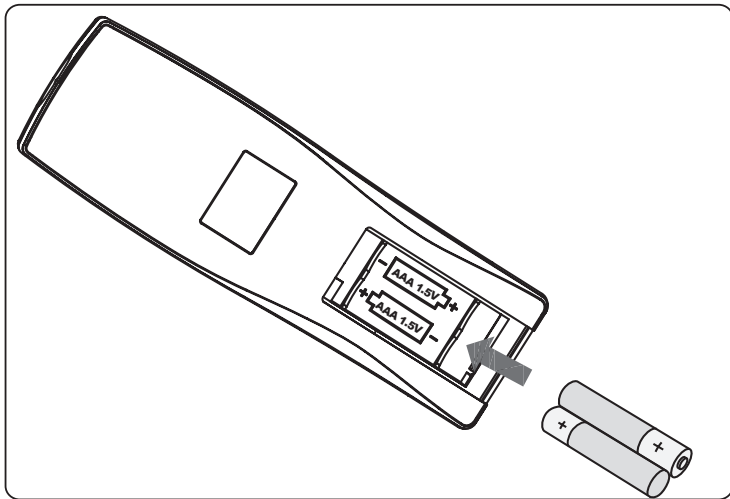
- (1) This device may not cause harmful interference, and
- (2) this device must accept any interference received, including interference that may cause undesired operation. Modifications not approved by the party responsible for compliance could void user's authority to operate the equipment.

This Class B digital apparatus complies with Canadian ICES-003.

BATTERY REPLACEMENT

NOTE: Do not mix old and new batteries.

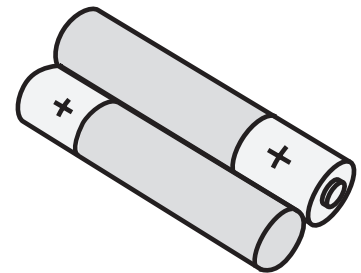
Do not mix alkaline, standard (carbon zinc), or rechargeable (nicad, nimh, etc.) batteries.



Note:

Battery disposal

Please always dispose of batteries at a suitable recycling point.



CAUTION:

- Always purchase the correct size and grade of battery most suitable for the intended use.
- Replace all batteries of a set at the same time.
- Clean the battery contacts and also those of the device prior to battery installation.
- Ensure the batteries are installed correctly with regard to polarity (+ and -).
- Remove batteries from equipment which is not to be used for an extended period of time.
- Remove used batteries promptly.

Caution: Do not ingest batteries.

Non-rechargeable batteries are not to be recharged.

Batteries are to be inserted with the correct polarity.

Exhausted batteries are to be removed from the product.

1-YEAR LIMITED WARRANTY

The manufacturer warrants that your new Electric Fireplace is free from manufacturing and material defects for a period of one year from date of purchase, subject to the following conditions and limitations.

1. Install and operate this Electric Appliance in accordance with the installation and operating instructions furnished with the product at all times. Any unauthorized repair, alteration, willful abuse, accident, or misuse of the product shall nullify this warranty.
2. This warranty is non-transferable, and is made to the original owner, provided that the purchase was made through an authorized supplier of the product.
3. The warranty is limited to the repair or replacement of part(s) found to be defective in material or workmanship, provided that such part(s) have been subjected to normal conditions of use and service, after said defect is confirmed by the manufacturer's inspection.
4. The manufacturer may, at its discretion, fully discharge all obligations with respect to this warranty by refunding the wholesale price of the defective part(s).
5. Any installation, labor, construction, transportation, or other related costs/expenses arising from defective part(s), repair, replacement, or otherwise of same, will not be covered by this warranty, nor shall the manufacturer assume responsibility for same.
6. The owner/user assumes all other risks, if any, including the risk of any direct, indirect or consequential loss or damage arising out of the use, or inability to use the product, except as provided by law.
7. All other warranties – expressed or implied – with respect to the product, its components and accessories, or any obligations/liabilities on the part of the manufacturer are hereby expressly excluded.
8. The manufacturer neither assumes, nor authorizes any third party to assume on its behalf, any other liabilities with respect to the sale of the product.
9. The warranties as outlined within this document do not apply to non accessories used in conjunction with the installation of this product.
10. This warranty gives you specific legal rights, and you may also have other rights which vary from state to state.

This warranty is void if:

- a. The Heater is subjected to prolonged periods of dampness or condensation.
- b. Any unauthorized alteration, willful abuse, accident, or misuse of the product.
- c. You do not have the original receipt of purchase.

CUSTOMER SERVICE

www.tsicustomerservice.com

For Customer Service Call 1-800-318-9373

Questions? Our message centers are available 7 days a week 24 hours a day at our toll-free help line. Our Consumer Service department is available Monday – Friday 8:30 am – 5:30 pm EST. We can help you with assembly and if necessary, replace damaged/missing parts.

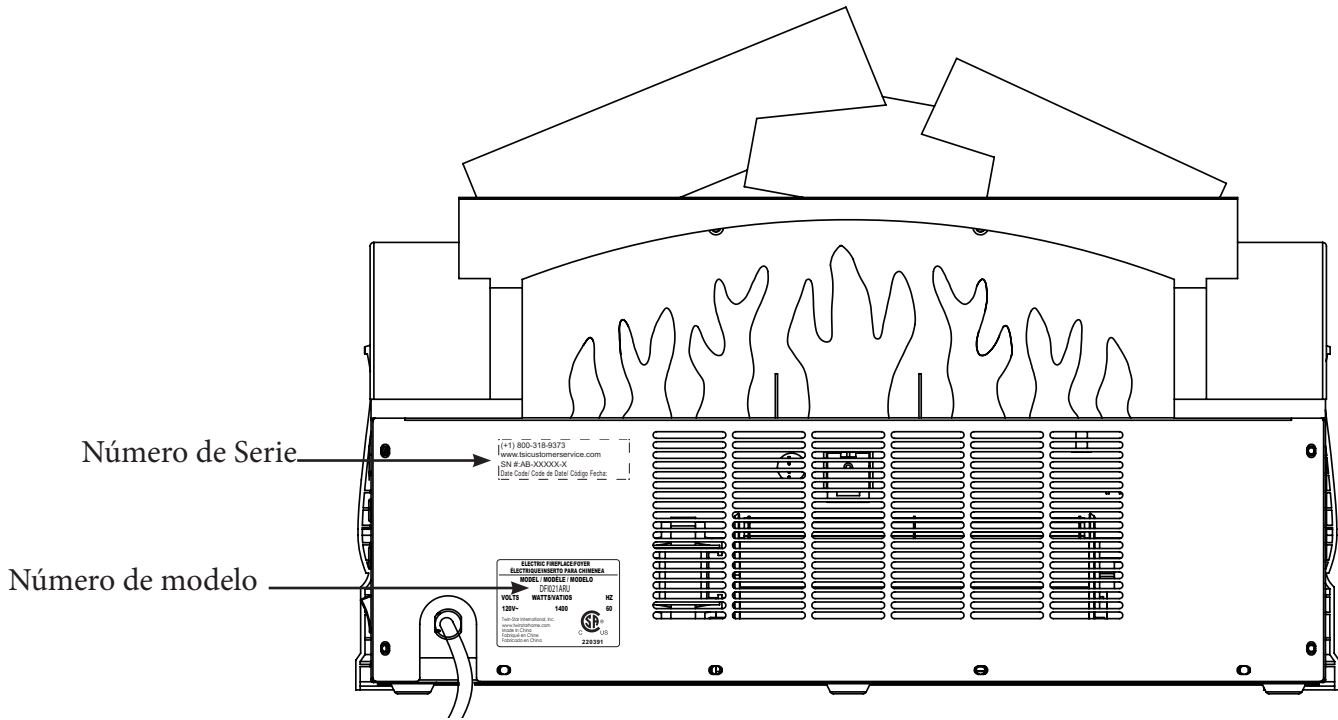
IMPORTANT:

Before contacting Customer Service please have this information available:

- Serial Number
- Model Number
- Sales Receipt or Proof of Purchase

PARA EMPEZAR

1. El número de serie se encuentra en la parte posterior de la chimenea, el número de serie es necesario para el registro de la garantía del producto y el servicio de atención al cliente.



2. Visitar www.tsicustomerservice.com para el registro de la garantía del producto. Si usted no puede completar el registro guarde el comprobante de compra para hacer válida la garantía.

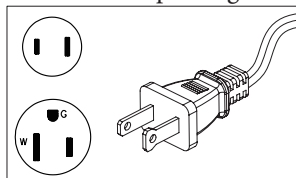
ESPECIFICACIONES ELÉCTRICAS

Tensión	120VAC, 60 Hz
Amperios	11.7 A
Potencia	1400 W

INSTRUCCIONES IMPORTANTE

Cuando utilice electrodomésticos, siempre tome medidas de precaución básicas para evitar incendios, descargas eléctricas y lesiones personales. Entre ellas:

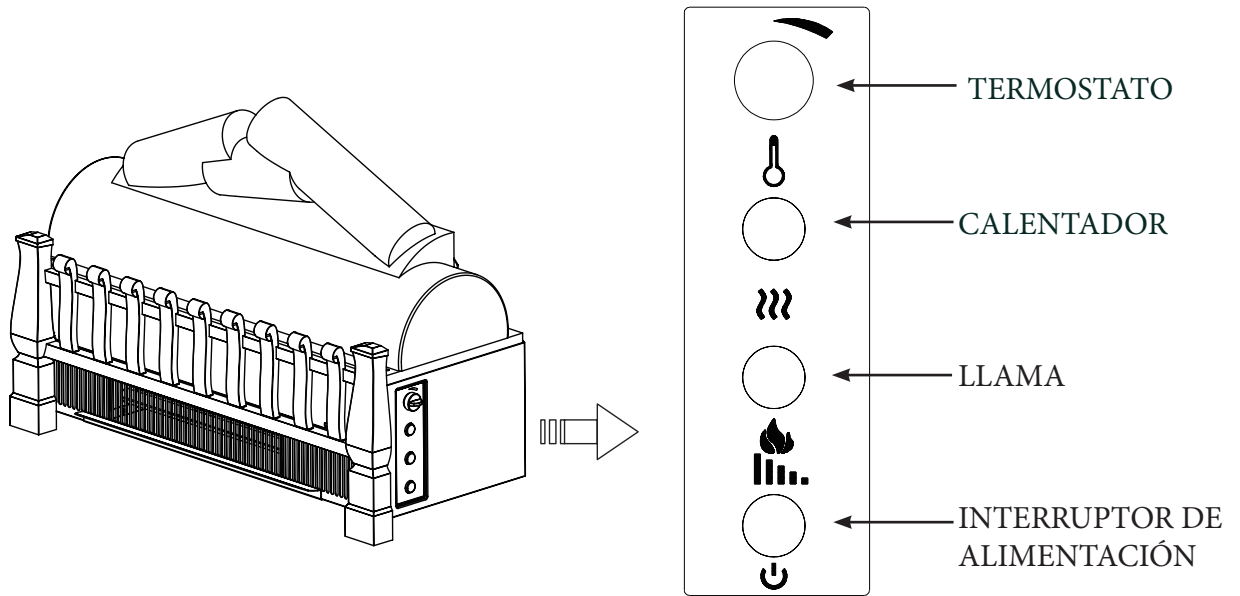
1. Lea todas las instrucciones antes de usar este electrodoméstico.
2. **DANGER:** les températures élevées peuvent être générées sous certaines conditions anormales. ne couvrez et n'obstruez pas partiellement ou totalement l'avant de cet appareil de chauffage. **ADVERTENCIA:** Para evitar el sobrecalentamiento, no cubra el calentador.
3. Este calentador se calienta cuando está en uso. Para evitar quemaduras, no permita que la piel sin protección entre en contacto con superficies calientes. Si están incluidas, utilice las manijas para mover este aparato. Mantenga los materiales inflamables, como muebles, almohadas, ropa de cama, papeles, prendas de vestir y cortinas, a un mínimo de 3 pies (0.9 m) de distancia de la parte frontal del calentador y manténgalos alejados de los laterales y la parte posterior. **ADVERTENCIA:** Para evitar el sobrecalentamiento, no cubra el calentador.
4. **PRECAUCIÓN:** Nunca deje el calentador operando de forma desatendida. Extremo cuidado es necesario si hay niños o personas discapacitadas sin supervisión cerca.
5. Este electrodoméstico no debe ser usado por personas o niños con capacidades físicas, sensoriales o mentales reducidas o sin experiencia ni conocimientos, a menos que una persona responsable de su seguridad les brinde supervisión o capacitación respecto al uso del electrodoméstico.
6. Siempre desenchufe este electrodoméstico cuando no lo use.
7. No opere ningún calentador con un cable o enchufe dañados, después de fallas del mismo, de que se haya dejado caer o dañado de cualquier forma.
8. Si el cable de alimentación está dañado, el fabricante, su empresa de servicio o alguien de calificación similar deben reemplazarlo para evitar peligros.
9. No lo use en exteriores.
10. Este calentador no se debe usar en el baño, lavadero y en espacios húmedos similares interiores. Nunca coloque este calentador donde se pueda caer dentro de una bañera u otro contenedor de agua.
11. No coloque el cable debajo de una alfombra. No cubra el cable con alfombras, tapetes o similares. Coloque el cable lejos de zonas de tránsito en donde nadie se pueda tropezar y caer.
12. Para desconectar este electrodoméstico, gire los controles a la posición de apagado y luego retire el enchufe del tomacorriente.
13. Este producto está equipado con un enchufe polarizado (una clavija es más ancha que la otra) para reducir el riesgo de descarga eléctrica. El enchufe podrá colocarse en un tomacorriente polarizado de una sola manera. Ésta es una medida de seguridad. Si no puede colocar el enchufe en el tomacorriente eléctrico, intente invirtiendo el enchufe. Si aún así no puede, póngase en contacto con un electricista calificado. Evite el uso de un cable prolongador, ya que éste podría sobrecalentarse y provocar un riesgo de incendio. No obstante, si es necesario utilizar un cable prolongador, éste debe tener un tamaño mínimo No. 14 AWG (medida de conductor estadounidense) y una clasificación no inferior a 1875 vatios. El cable prolongador debe ser un cable trifilar con conexión de cable y enchufe de conexión a tierra. El cable prolongador no deberá tener más de 6 metros (20 pies) de longitud.



14. No introduzca objetos extraños ni permita que entren en las aberturas de ventilación o escape, ya que pueden provocar descargas eléctricas, incendios o daños en el electrodoméstico.
15. Para evitar incendios, no bloquee las entradas ni salidas de aire de ninguna manera. No use sobre superficies blandas, como una cama, donde las aberturas se puedan bloquear.
16. Este electrodoméstico tiene en su interior piezas calientes y piezas que forman arcos eléctricos o que echan chispas. No lo use en áreas donde se use o almacene gasolina, pintura o líquidos inflamables. Esta chimenea no se debe usar como una rejilla para secar ropa. No cuelgue medias navideñas u otras decoraciones sobre o cerca de este producto.
17. Utilice este electrodoméstico sólo como se describe en este manual. Cualquier otro uso no recomendado por el fabricante puede causar incendios, descargas eléctricas o lesiones personales.

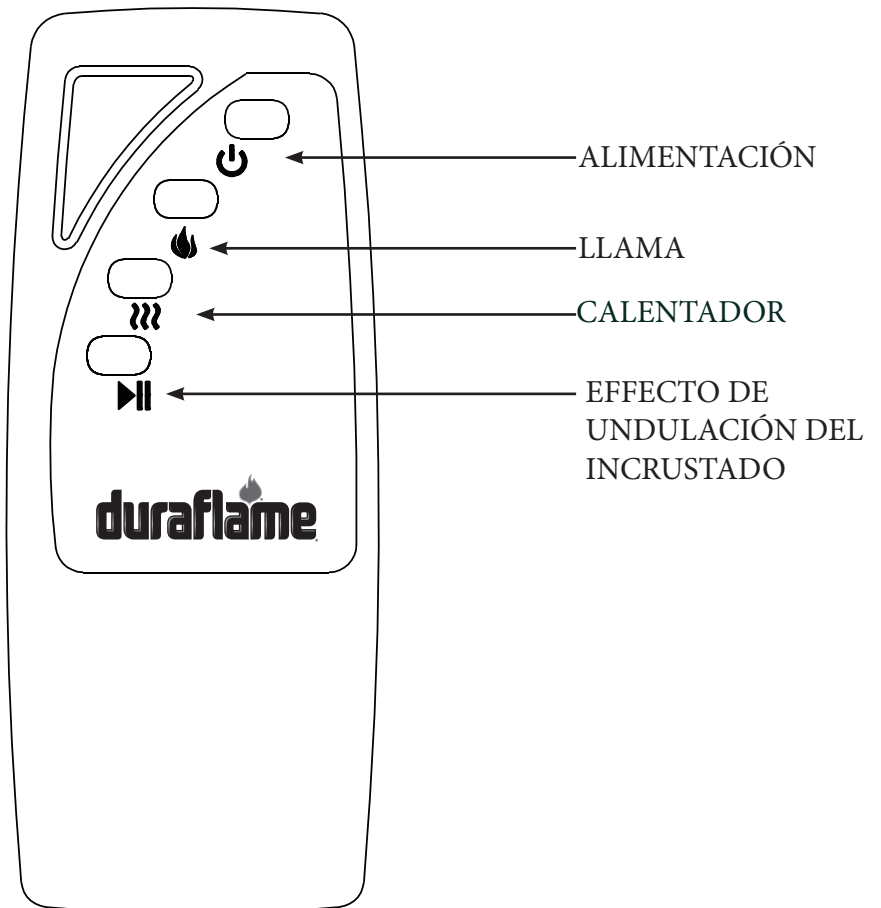
GUARDE ESTAS INSTRUCCIONES

INSTRUCCIONES DE OPERACIÓN








Panel de Control

El chimenea puede ser operado por el control remoto o el panel de control.



INSTRUCCIONES DE OPERACIÓN

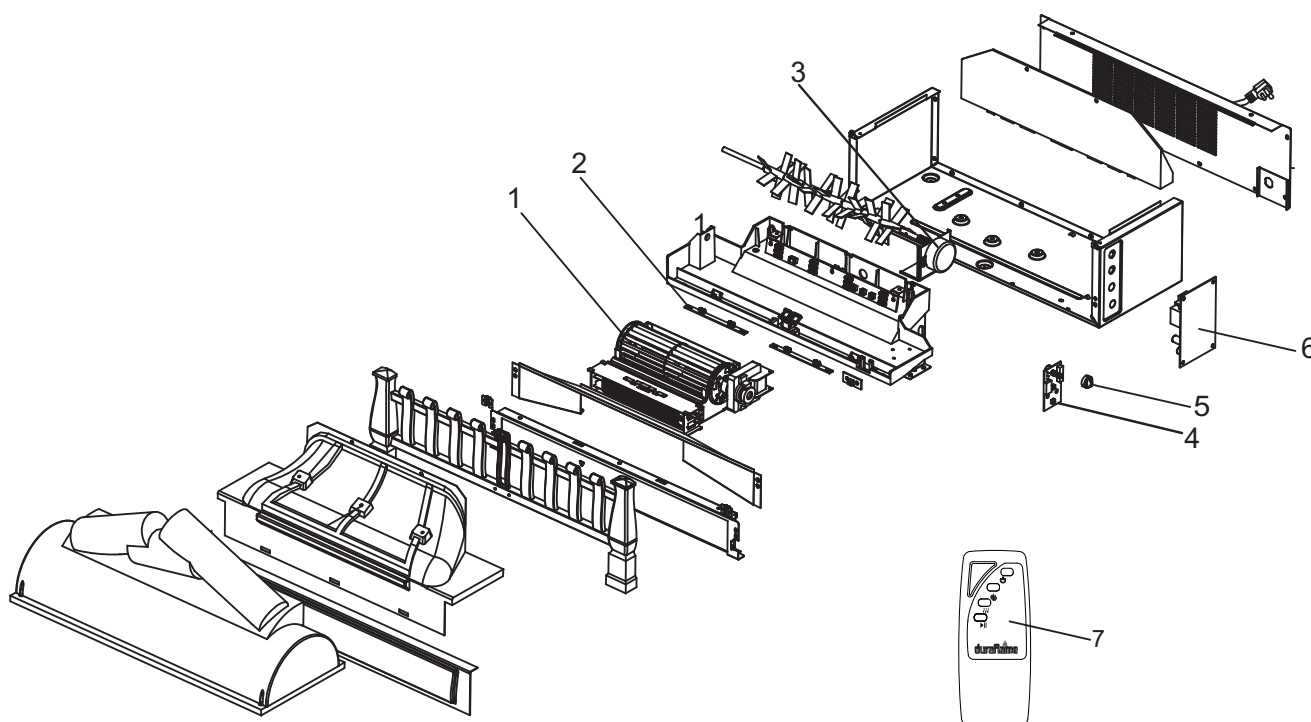
FUNCIÓN	ICONO	DESCRIPCIÓN
ALIMENTACIÓN		El interruptor de alimentación suministra energía a todas las funciones de la estufa. El interruptor debe estar en la posición ON para cualquiera de las funciones o para que el mando a distancia funcione.
LLAMA		Cada vez que se pulsa el botón LLAMA, la intensidad de la llama disminuye. Hay cinco niveles de brillo que se pueden seleccionar.
CALENTADOR		El botón HEAT encenderá (ON) / apagará (OFF) el calentador.
TERMOSTATO		<p>El botón del termostato controla los ajustes del termostato.</p> <p>Al girar el botón en dirección a las agujas del reloj aumentará el ajuste del termostato. Al girar el botón en dirección contraria a las agujas del reloj disminuirá el ajuste del termostato.</p> <p>Cuando el calentador alcance el ajuste del termostato se apagará hasta que la habitación se enfríe y en ese momento el calentador se encenderá de nuevo.on.</p>
EFECTO DE UNDULACIÓN DEL INCRUSTADO		Este botón en el control remoto enciende o pausa el efecto de ondulación del incrustado

SOLUCIÓN DE PROBLEMAS

Problema	Origen de la causa	Medidas correctivas
No hay corriente, el botón de encendido está en la posición ON.	Operación normal	Compruebe que la unidad está conectada a una toma de corriente estándar de 120V.
Los troncos brillan, el efecto de llama no funciona.	Motor de rotación.	Compruebe si el motor el Generador de llama está funcionando. Si no fuera así llame al servicio de atención al cliente.
El efecto de llama opera pero el calentador no sopla aire caliente.	El calentador no está en la posición de encendido.	Intente encender (ON) / apagar (OFF) el botón del calentador HEATER varias veces para asegurarse que está en la posición de encendido.
	La temperatura de ajuste es baja.	Asegúrese que el botón de temperatura TEMPERATURE está en el ajuste máximo.
El calentador se apaga y no se vuelve a encender.	Se ha ejecutado un reinicio automático.	Apague el botón de encendido POWER a la posición de apagado "OFF" y desconecte la unidad de la toma de la pared durante 5 minutos. Después de 5 minutos conecte otra vez la unidad en la pared y opere normalmente. Si el problema persiste contacte con el servicio de atención al cliente.
El cable del calentador se calienta.	Operación normal.	Compruebe que el cable del calentador y las conexiones del enchufe. Conexiones de tomas de corriente defectuosas o enchufes sueltos pueden hacer que la toma de corriente o el enchufe se recaliente. Asegúrese de que el enchufe queda ajustado a la toma de corriente. Los calentadores consumen más corriente que los pequeños electrodomésticos, el recalentamiento de la toma de corriente puede ocurrir incluso si no se ha producido con el uso de otros aparatos. Durante el uso, compruebe con frecuencia para determinar si su enchufe o la placa frontal está CALIENTE! Si es así, deje de utilizar el calentador y contacte con un electricista cualificado para que compruebe o reemplace los enchufe(s) defectuosos.
El control remoto no funciona.	No hay pilas	Cambie las pilas del control remoto.
	Mala Señal.	Opere el transmisor remoto a una velocidad más lenta. Pulse los botones del control remoto con una moción uniforme y presión suave. Pulsar los botones en una sucesión rápida y de forma repetida puede causar que el transmisor mal funcione.
	Distancia.	Operar el control remoto a una distancia inferior a 20 pies desde la parte delantera del aparato; apunte el control remoto al panel de control.
La unidad continua funcionando después de llegar a la temperatura establecida / o se apaga.	Ciclo de enfriamiento.	Operación normal, continuará funcionando durante menos de un minuto antes de apagarse. Los tiempos variarán dependiendo del tiempo de calentado. HASTA QUE SOPLE AIRE FRESCO.
El efecto de llama funciona, pero la función del calentador no funciona y el peldaño parpadea cuando el botón del calentador está presionado.	El calentador está desactivado.	Con la corriente encendida, presione y mantenga pulsado el botón de calentador en el panel de control durante 10 segundos. Una vez que lo vuelve a habilitar, las luces del peldaño destellarán varias veces.

VISTA DESPLEGADA

Pieza	Nombre de la pieza	Número de Pieza
1	Ensamblaje del calentador/soplador	Y14-S144-P01
2	Placa de circuitos del panel de control	Y14-S144-P44E
3	Motor de accionamiento del generador de fajas	P10-Q-S
4	Placa de circuitos del brazas	Y16-S144-P32
5	Perilla de control de temperatura del calentador	P05-S
6	Placa de circuitos principal	Y16-S144-P15
7	Control remoto	P113



CUIDADO Y MANTENIMIENTO

- Limpie la moldura metálica con un paño suave humedecido con un producto a base de aceite cítrico y púlalo con un paño suave y limpio.
- NO utilice productos de limpieza domésticos ni limpiametales, ya que estos productos dañarán la moldura metálica. Los productos a base de aceite cítrico pueden conseguirse en supermercados o ferreterías.
- ADVERTENCIA: El cableado del tomacorriente eléctrico debe cumplir con los códigos de edificación locales y otras normas aplicables, a fin de reducir el riesgo de incendio, descarga eléctrica y lesiones a personas.
- ADVERTENCIA: Desconecte la alimentación antes de intentar realizar mantenimiento o limpieza a fin de reducir el riesgo de incendio, descarga eléctrica o lesiones personales.

INFORMACIÓN DE FCC/IC

Advertencia: Los cambios o modificaciones en esta unidad, que no sean aprobados directamente por la parte responsable del cumplimiento, podría anular el derecho de operar el equipo por parte del usuario.

NOTA: Este equipo ha sido probado y cumple con los límites especificados para dispositivos digitales de Clase B, conforme a la parte. 15 de las Normas de la FCC. Estos límites están diseñados para proporcionar una protección razonable contra las interferencias que sean perjudiciales en una instalación residencial. Este equipo genera, utiliza y puede irradiar energía de radiofrecuencia y, si no se instala y no se utiliza de acuerdo con las instrucciones, puede causar interferencias perjudiciales en las comunicaciones de radio.

Sin embargo, no hay garantía de que no se produzcan interferencias en una instalación en particular. Si este equipo causa interferencias perjudiciales en la recepción de radio o televisión, lo cual puede ser determinado cuando se apaga y enciende este aparato, se recomienda al usuario que intente corregir la interferencia con alguna(s) de las siguientes medidas.

- Reorientar o reubicar la antena de recepción.
- Aumentar la separación entre el equipo y el receptor.
- Conectar el equipo a un tomacorriente de un circuito distinto al que usa el receptor.
- Solicitar ayuda al concesionario o a un técnico con experiencia en radio/TV.

Este dispositivo cumple con la sección 15 de las reglas de la FCC. El funcionamiento está sujeto a las siguientes dos condiciones:

- (1) este dispositivo no debe causar interferencia perjudicial, y
- (2) este dispositivo deberá aceptar cualquier interferencia recibida, incluida la interferencia que pudiese causar la operación no deseada.

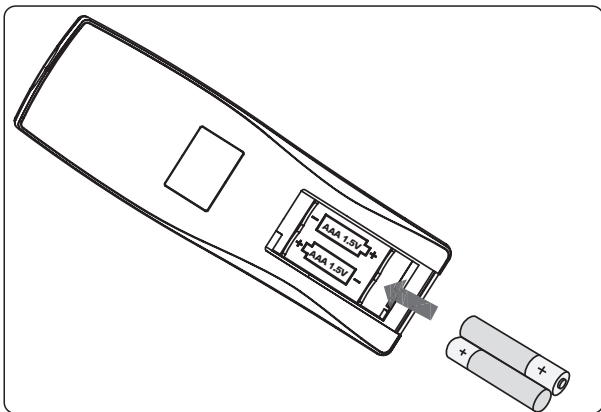
Las modificaciones que no estén aprobadas por la parte responsable del cumplimiento podrían anular la autorización del usuario para utilizar el equipo.

Este instrumento digital clase B cumple con el ICES-003 de Canadá.

REEMPLAZO DE BATERÍA

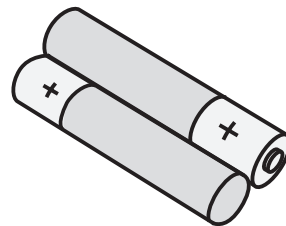
Nota: No mezclar baterías viejas con nuevas.

No mezclar baterías alcalinas, baterías recargables (de Ni-Cd, Ni-MH, etc.) y baterías estándar (de zinc-carbono).



Nota:

Eliminación de batería
Siempre deseche las baterías
en un punto adecuado de reciclaje.



PRECAUCIÓN:

- Siempre compre las pilas de tamaño y grado correctos para este uso.
- Reemplace todas las pilas de un set al mismo tiempo.
- Limpie los contactos de las pilas y los del aparato antes de colocar las pilas.
- Asegúrese que las pilas estén bien colocadas respecto a la polaridad (+ y -).
- Retire las pilas del equipo si no se va a utilizar por un tiempo prolongado.
- Retire las pilas usadas de inmediato.

Precaución: por ingestión.

Las pilas no recargables no deben ser recargadas.

Las baterías deben ser insertadas con la polaridad correcta.

Las baterías agotadas deben ser retiradas del producto.

GARANTÍA LIMITADA DE 1 AÑO

El fabricante garantiza que su nueva calentador eléctrica no presentará defectos de fabricación ni materiales durante un período de un año a partir de la fecha de compra, siempre y cuando se cumplan las siguientes condiciones y limitaciones.

1. Esta estufa eléctrica se debe instalar y operar en todo momento de acuerdo con las instrucciones de instalación y operación proporcionadas con el producto. Cualquier reparación no autorizada, alteración, abuso deliberado, accidente o uso inadecuado del producto anulará esta garantía.
2. Esta garantía no es transferible y sólo está disponible para el propietario original, siempre y cuando la compra se haya realizado a través de un proveedor autorizado del producto.
3. Esta garantía se limita a la reparación o reemplazo de piezas que se consideren defectuosas en material o mano de obra, siempre y cuando dicha pieza haya estado sometida a condiciones normales de uso y servicio, después de que una inspección por parte del fabricante confirme dicho defecto.
4. El fabricante podrá, bajo su criterio, eximirse de toda obligación respecto de esta garantía reembolsando el precio al por mayor de la pieza defectuosa.
5. Esta garantía no cubre ningún costo de instalación, mano de obra, fabricación, transporte o de otro tipo que surja de la pieza defectuosa, su reparación, reemplazo u otra situación, y el fabricante no asume ninguna responsabilidad por las mismas.
6. El dueño/usuario asume todos los riesgos, si los hay, incluidos los riesgos de daños o pérdidas directos, indirectos o resultantes que surjan del uso del producto, o de la incapacidad para usarlo, salvo que la ley estipule lo contrario.
7. Mediante el presente, se excluye expresamente cualquier otra garantía, expresa o implícita, respecto del producto, sus componentes y accesorios, o cualquier otra obligación o responsabilidad de parte del fabricante.
8. El fabricante no asume ni autoriza a ningún tercero a asumir en su nombre ninguna otra responsabilidad respecto de la venta de este producto.
9. Las garantías descritas en este documento no se aplican a accesorios que no sean del fabricante y que se usen junto con la instalación de este producto.
10. Esta garantía le otorga derechos legales específicos, pero también puede tener otros derechos que varían según el estado.

Esta garantía es nula si:

- a. La calentador está sometida a períodos prolongados de humedad o condensación.
- b. Se produce cualquier alteración no autorizada, abuso deliberado, accidente o uso inadecuado del producto.
- c. Usted no tiene el recibo original de compra.

SERVICIO AL CLIENTE

www.tsicustomerservice.com

Para el servicio de atención al cliente llame 1-800-318-9373

¿Tiene preguntas? Nuestro Centro de mensajes está disponible 7 días de la semana, 24 horas del día con nuestra línea de ayuda gratuita. Nuestro departamento de Servicio al Consumidor está disponible de Lunes a Viernes, de 8:30 am hasta las 5:30 pm EST. Le podemos ayudar con ensamblaje y si es necesario con el reemplazo de piezas dañadas o pérdidas.

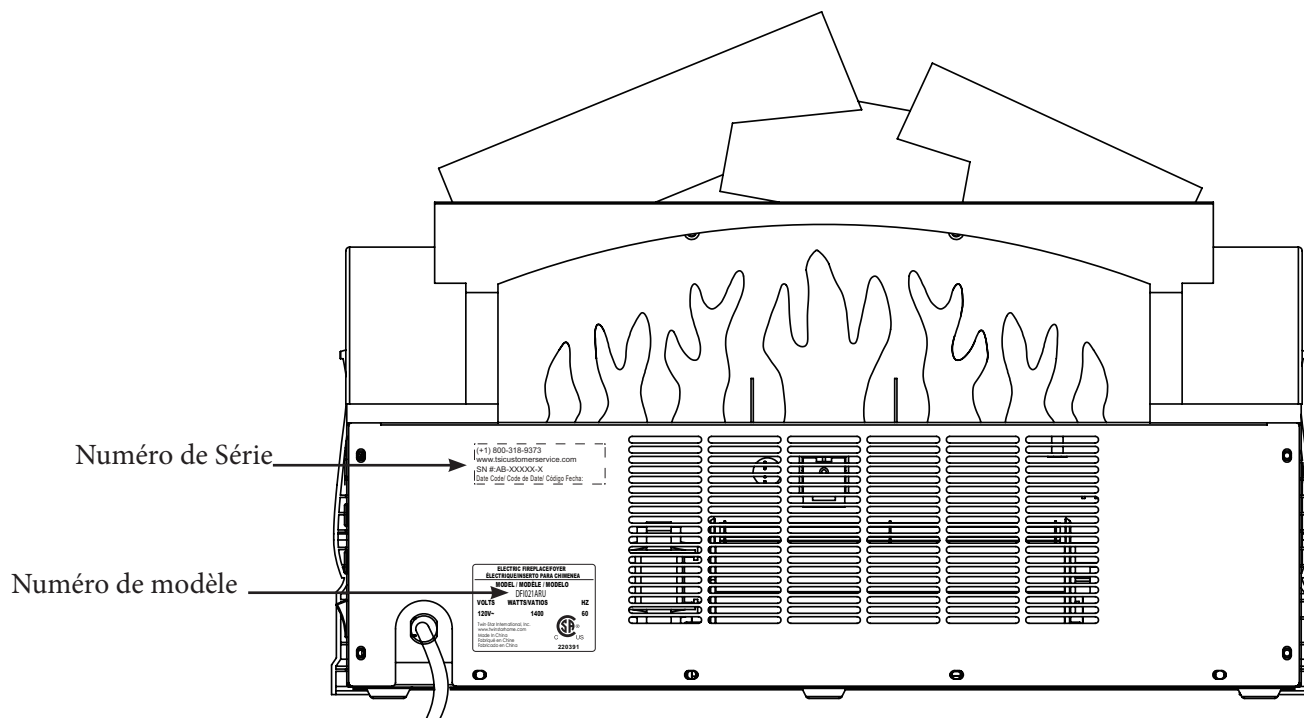
IMPORTANTE:

Antes de comunicarse con atención al cliente, tenga disponible la siguiente información:

- Número de serie
- Número de modelo
- Recibo de compra o prueba de compra

PRÉPARATION

1. Le numéro de série est situé à l'arrière du chauffage et le numéro de série est requis pour l'enregistrement de la garantie du produit et pour le service à la clientèle.



2. Rendez-vous sur le site www.tsicustomerservice.com pour compléter l'enregistrement de la garantie. Si vous êtes incapable de compléter l'enregistrement, conserver votre preuve d'achat pour les besoins de la garantie.

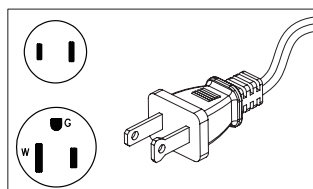
CARACTÉRISTIQUES DU PRODUIT

TENSION	120VAC, 60 Hz
AMPÈRES	11,7 A
WATTS	1400 W

INSTRUCTIONS IMPORTANTES

Lors de l'utilisation d'appareils électriques, pour éviter les risques d'incendie, d'électrocution et de blessures, toujours suivre les consignes de sécurité de base suivantes :

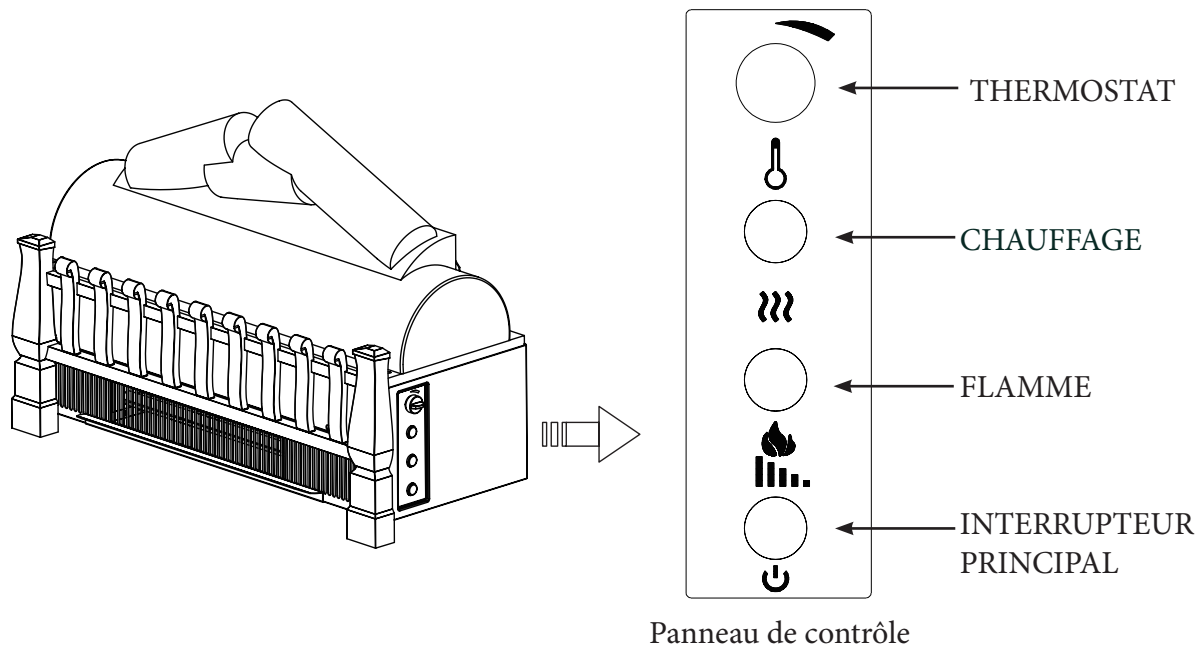
1. Lisez toutes les directives avant d'utiliser cet appareil.
2. PELIGRO - Las altas temperaturas se puede generar bajo ciertas condiciones anormales. No parcial o totalmente cubra ni obstruya la parte delantera de este calentador. ADVERTENCIA: Para evitar el sobrecalentamiento, no cubra el calentador.
3. Cet appareil est chaud lorsqu'il est en marche. Afin d'éviter les brûlures, ne touchez pas aux surfaces chaudes. Si l'appareil est muni de poignées, utilisez-les pour le déplacer. Assurez-vous que les matières combustibles, comme les meubles, les oreillers, la literie, le papier, les vêtements et les rideaux, se trouvent à au moins 0,9 m (3 pi) de l'avant de l'appareil.
AVERTISSEMENT : Ne couvrez pas l'appareil pour éviter qu'il surchauffe.
4. AVERTISSEMENT : Ne jamais laisser un chauffage fonctionnant sans surveillance. Une grande prudence est nécessaire si des enfants sans supervision ou des invalides sont à proximité.
5. Cet appareil ne doit pas être utilisé par les enfants, les personnes atteintes d'une déficience physique, sensorielle ou intellectuelle, ou les personnes n'ayant pas l'expérience et les connaissances nécessaires, à moins qu'une personne ne les supervise ou leur donne les instructions nécessaires.
6. Débranchez toujours cet appareil lorsqu'il n'est pas utilisé.
7. N'utilisez pas un appareil muni d'un cordon ou d'une fiche endommagé, qui a subi une défaillance, qui est tombé ou qui a été endommagé de quelque façon que ce soit.
8. Si le cordon d'alimentation est endommagé, il doit être remplacé par le fabricant, par un de ses agents ou par une personne qualifiée afin d'éviter tout danger.
9. N'utilisez pas cet appareil à l'extérieur.
10. Cet appareil n'est pas conçu pour être utilisé dans une salle de bains, une salle de lavage ou tout autre endroit humide semblable. Ne placez jamais cet appareil à un endroit où il risquerait de tomber dans une baignoire ou un autre contenant rempli d'eau.
11. Évitez de placer le cordon sous un tapis. Ne couvrez pas le cordon avec une carpe, un tapis de passage ou un autre article semblable. Placez le cordon dans un endroit peu passant et où il ne pourra pas être accroché.
12. Pour débrancher cet appareil, tournez les commandes en position d'arrêt, puis retirez la fiche de la prise.
13. Cet appareil est muni d'une fiche polarisée (une lame est plus large que l'autre). Pour réduire le risque d'électrocution, cette fiche ne peut être insérée dans une prise polarisée que dans un seul sens. Ceci est une mesure de sécurité. Si vous n'arrivez pas à insérer la fiche dans la prise de courant, inversez la fiche. Si la fiche ne s'insère toujours pas, contactez un électricien qualifié. Évitez d'utiliser une rallonge puisque celle-ci peut surchauffer et entraîner un risque d'incendie. Toutefois, si l'utilisation d'une rallonge ne peut être évitée, elle doit être de taille 14 AWG au minimum et d'une puissance nominale d'au moins 1 875 watts. La rallonge doit avoir un connecteur mâle à trois fils avec une fiche de type terre et un raccord de cordon. La longueur de la rallonge ne doit pas dépasser 20 pieds (6 m).



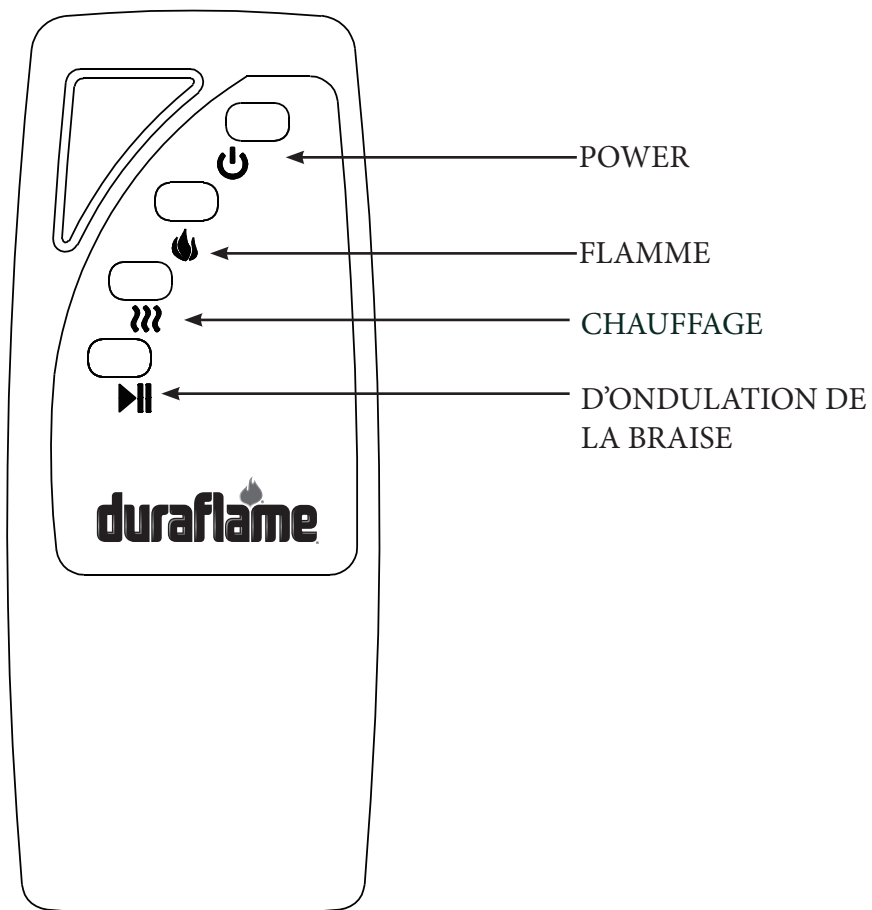
14. N'insérez jamais un objet, quel qu'il soit, dans les ouvertures de ventilation ou de sortie d'air de l'appareil afin de prévenir les dommages ainsi que les risques de choc électrique et d'incendie.
15. Afin de prévenir les risques d'incendie, ne bloquez jamais les ouvertures d'aération ou de sortie d'air de quelque façon que ce soit. Ne placez pas l'appareil sur une surface molle, comme un lit, car les ouvertures pourraient se bloquer.
16. Cet appareil renferme des pièces chaudes qui produisent des arcs électriques ou des étincelles. N'utilisez pas l'appareil là où de l'essence, de la peinture ou des liquides inflammables sont utilisés ou entreposés. Ce foyer ne doit pas être utilisé pour faire sécher les vêtements. Ne suspendez pas de bas de Noël ou d'autres décorations sur ou à proximité de ce produit.
17. N'utilisez cet appareil que pour l'usage prévu dans ce manuel. Toute autre utilisation de l'appareil qui n'est pas prévue par le fabricant peut provoquer un incendie, un choc électrique ou des blessures.

CONSERVER CES INSTRUCTIONS






INSTRUCTIONS D'OPÉRATION



Le foyer peut être activé soit par la télécommande ou par le panneau de commande.



INSTRUCTIONS D'OPÉRATION

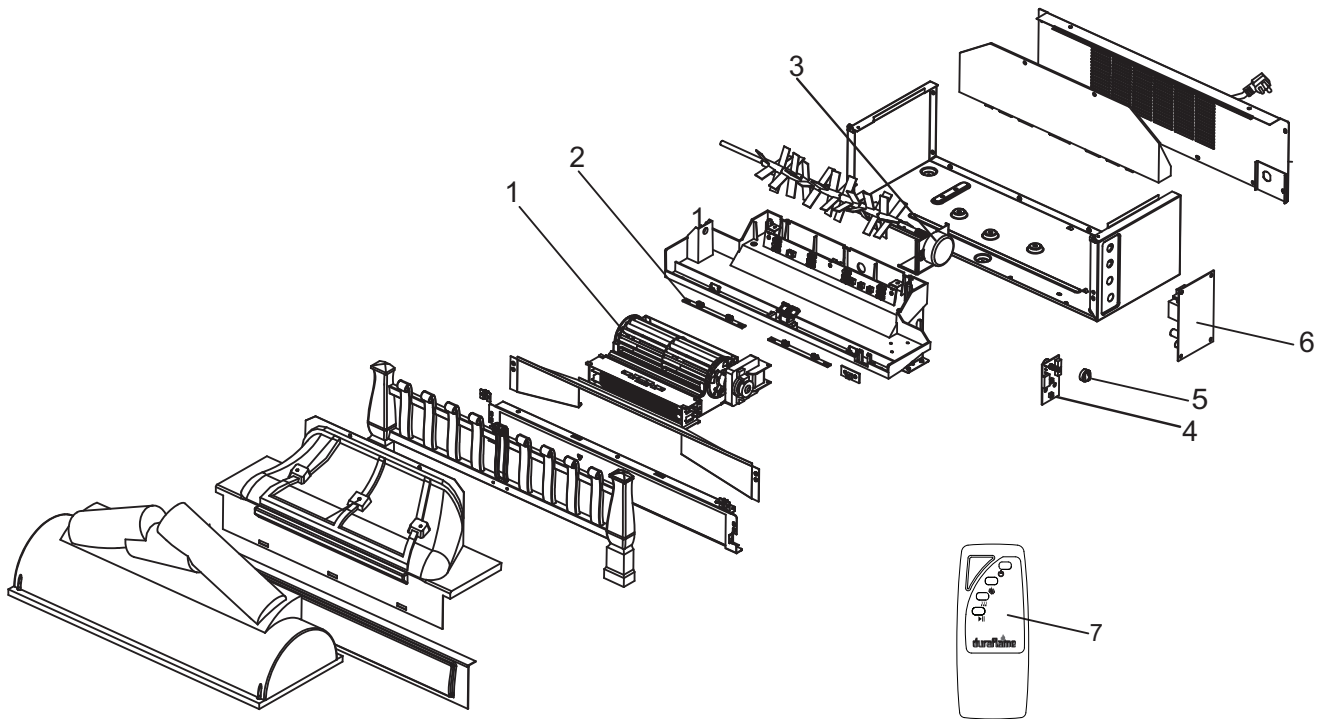
FUNCTION	ICON	DESCRIPTION
POWER		Le bouton d'ALIMENTATION alimente toutes les fonctions de la cheminée. Le bouton doit être en position MARCHE pour le fonctionnement d'une des fonctions ou de la télécommande.
FLAMME		Chaque fois que la touche FLAMME est pressée, l'intensité de la flamme diminue. Il y a cinq niveaux de luminosité qui peuvent être sélectionnés.
CHAUFFAGE		La touche CHALEUR mettra en MARCHE/ARRET le chauffage.
THERMOSTAT		<p>Le bouton du thermostat contrôle le réglage du thermostat.</p> <p>En tournant le bouton dans le sens des aiguilles d'une montre, cela augmentera le réglage du thermostat. En tournant le bouton dans le sens contraire des aiguilles d'une montre, cela diminuera le réglage du thermostat.</p> <p>Quand le chauffage atteint le réglage du thermostat, il s'arrêtera jusqu'à ce que la pièce refroidisse pour atteindre le point où le chauffage se remettra en marche.</p>
D'ONDULATION DE LA BRAISE		Cette touche sur la télécommande met en marche ou en pause l'effet d'ondulation de la braise.

DÉPANNAGE

Problème	Cause probable	Action corrective
Il n'y a pas d'alimentation électrique même lorsque l'interrupteur est réglé à la position MARCHE.	Fonctionnement normal.	S'assurer que l'unité est branchée dans une prise standard de 120 V.
Les bûches s'illuminent, mais aucun effet de flammes ne s'active.	Moteur Rotatif.	S'assurer que le moteur du générateur de flammes fonctionne. Sinon, communiquer avec le service à la clientèle.
Il y a un effet de flammes, mais la chaufferette ne souffle pas d'air chaud.	Chauffe n'est pas sur la position.	Essayer de régler le bouton CHAUFFERETTE à la position « ON » et à la position « OFF » à plusieurs reprises afin de s'assurer qu'il est réglé à la position « ON ».
	La température est réglée à faible.	S'assurer que le bouton « TEMPÉRATURE » (Temperature) est réglé à la position « HI » (Élevé).
Le chauffage coupé et ne reviendra pas sur.	Réarmement manuel Déclenchée.	Mettre le bouton marche/arrêt (POWER) à arrêt (OFF) et débrancher l'unité de la prise de courant pendant 5 minutes. Après 5 minutes, rebrancher l'unité dans la prise de courant, et la faire fonctionner normalement. Si le problème persiste contacter le service à la clientèle.
Le cordon électrique devient chaud.	Fonctionnement normal.	Vérifier votre cordon du chauffage et les prises enfichables. Un branchement défectueux ou des prises mal fixées peuvent causer une surchauffe de la prise de courant murale ou du connecteur. S'assurer que le connecteur tient bien fermement dans la prise de courant murale. Les chauffages consomment plus de courant que les petits appareils électriques, la surchauffe de la prise de courant murale peut survenir même si elle ne s'est pas produite avec l'utilisation d'autres appareils. Pendant l'utilisation vérifier fréquemment afin de déterminer si votre prise de courant murale ou votre façade est CHAUDE ! Si c'est le cas, cesser d'utiliser l'utilisation du chauffage et faites vérifier et/ou remplacer par un électricien qualifié la ou les prises de courant défectueuses.
La télécommande ne fonctionne pas.	Piles épuisées ou puissance de la batterie.	Remplacer les piles de la télécommande.
	Signal faible.	Veuillez opérer la télécommande lentement. Pressez sur les boutons de la télécommande avec un mouvement égal et une légère pression. De presser de manière répétitive sur les boutons dans une succession rapide peut causer une défaillance de la télécommande.
	Distance	Faites fonctionner la télécommande à une distance de moins de 6 mètres du devant de l'appareil ; Pointer la télécommande sur le panneau de commandes.
Le cordon d'alimentation ne parvient pas à une prise de courant.	Distance de la sortie.	s'il est nécessaire d'utiliser une rallonge électrique, celle-ci devra être d'un calibre minimal de 14 AWG et d'une capacité nominale d'au moins 1 875 W (15A). La rallonge doit être composée de trois fils conducteurs avec une fiche de mise à la terre, et ne pas dépasser 6 m (20 pi) de long. Le AWG et par notes peuvent être trouvés écrit sur le côté de la corde.
L'effet de flammes fonctionne mais la fonction de chauffage ne marche pas et le lit de braise clignote quand on presse sur le bouton de chauffage (Heater).	Le chauffage est désactivé.	Alors que l'appareil fonctionne, appuyer et maintenir pendant 10 secondes le bouton chauffage sur le panneau de commande. Une fois réinitialisé, les lampes du lit de braise clignoteront plusieurs fois.

VUE EXPLOSIVE

Pieza	Nombre de la pieza	Numéro de pièce
1	Radiateur / ventilateur Assemblée	Y14-S144-P01
2	Carte de circuits des bûches	Y14-S144-P44E
3	Flamme Générateur Motor Drive	P10-Q-S
4	Carte de circuits imprimés du panneau de commande	Y16-S144-P32
5	Bouton de réglage de la luminosité	P05-S
6	Carte de circuits principale	Y16-S144-P15
7	Télécommande	P113



ENTRETIEN GÉNÉRAL

- Nettoyer le contour métallique à l'aide d'un linge doux légèrement humecté d'huile de citron, puis polir avec un linge doux et propre.
- NE PAS UTILISER de produits à polir le laiton ou de produits de nettoyage domestique car ils pourraient endommager le contour de métal. Les produits à base d'huile de citron sont disponibles dans les supermarchés ou les quincailleries.
- AVERTISSEMENT: Le raccordement des prises électriques doit être conforme aux codes du bâtiment locaux et à tout autre règlement en vigueur afin de réduire les risques d'incendie, de choc électrique et de blessures corporelles.
- VERTISSEMENT: Débrancher l'alimentation électrique avant l'entretien ou le nettoyage afin de réduire les risques d'incendie, de choc électrique ou de blessures corporelles.

INFORMATION CONCERNANT FCC/IC

Avvertissement: Des changements ou modifications effectués sur cet appareil, non expressément approuvés par la partie responsable de la conformité, pourraient annuler le droit de l'utilisateur concernant l'usage de l'équipement.

REMARQUE: Cet équipement a été testé et reconnu conforme aux normes applicables aux appareils informatiques de Classe B, en vertu de l'article 15 des réglementations de la FCC. Ces normes visent à fournir une protection raisonnable contre les interférences nuisibles dans une installation résidante. Cet appareil génère, utilise et peut diffuser de l'énergie radioélectrique. En conséquence, s'il n'est pas installé et employé conformément aux instructions, il peut provoquer des interférences nuisibles aux communications radio.

Toutefois, il n'y a aucune garantie que des interférences ne se produiront pas dans certaines installations. Si l'appareil est à l'origine d'interférences nuisibles vis-à-vis de la réception de la radio ou de la télévision, ce qui peut être déterminé en allumant puis en l'éteignant, il est recommandé à l'utilisateur de considérer l'une ou plusieurs des mesures suivantes, pour tenter de remédier à ces interférences.

- réorienter ou déplacer l'antenne réceptrice;
- accroître la distance entre l'appareil et le récepteur;
- brancher l'appareil sur une prise de courant appartenant à un autre circuit que celui du récepteur;
- obtenir de l'aide auprès du détaillant ou d'un technicien en radio ou en télévision expérimenté.

Cet appareil est conforme à l'alinéa 15 du règlement de la FCC. Son utilisation est soumise aux deux conditions suivantes :

- (1) cet appareil ne doit provoquer aucune interférence nuisible; et
- (2) cet appareil doit accepter toute interférence reçue, y compris les interférences pouvant entraîner un fonctionnement indésirable.

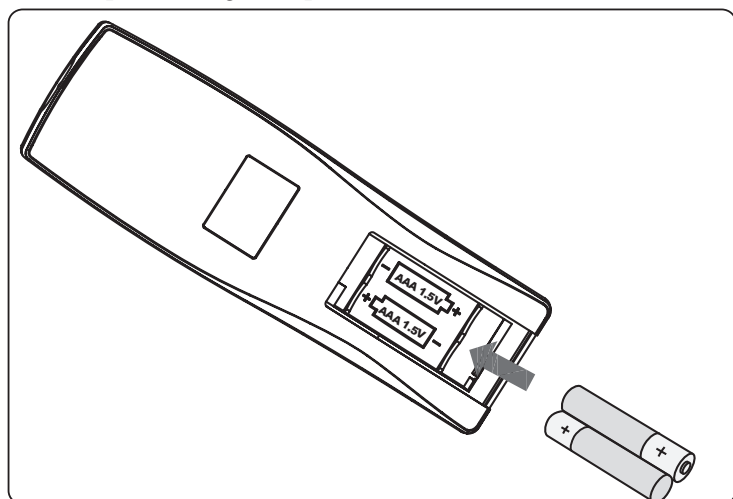
Les modifications non autorisées expressément par la partie responsable de la conformité peuvent annuler le droit de l'utilisateur de se servir de cet appareil.

Cet appareil numérique de classe B est conforme à la norme NMB-003 du Canada.

REEMPLACEMENT DES PILES

Note: Ne pas mélanger les piles usagées et neuves.

Ne pas mélanger les piles alcalines, standard (carbone/zinc) ou rechargeables (ni-cad, NiMh, etc.)



ATTENTION:

- S'assurer de toujours acheter la taille et la catégorie exactes de piles les mieux adaptées à l'utilisation prévue.
- Remplacer toutes les piles d'un groupe en même temps.
- Nettoyer les surfaces de contact de la pile et celles du compartiment avant d'installer les piles.
- S'assurer que les piles sont correctement mises en ce qui concerne la polarité (+ et -).
- Enlever les piles de tout appareil qui ne sera pas utilisé pendant longtemps.
- Enlever les vieilles piles rapidement.

Attention: Ne pas ingérer batteries.

Les piles non rechargeables ne doivent pas être rechargées.

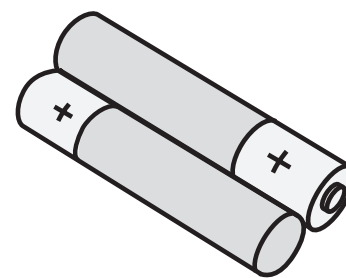
Les piles doivent être insérées en respectant la polarité.

Les piles déchargées doivent être retirées du produit.

Remarque:

Disposition des piles

Veillez toujours disposer des piles dans un site de recyclage adéquat.



GARANTIE LIMITÉE DE 1 AN

Le fabricant garantit que votre nouveau chauffage électrique est exempt de défaut de fabrication ou de matériaux durant 1 année à partir de la date d'achat, en tenant compte des conditions et des restrictions suivantes.

1. Respectez en tout temps les directives d'installation et le mode d'emploi fournis avec ce foyer électrique lorsque vous installez et que vous utilisez ce produit. Toute modification non autorisée, abus volontaire, accident ou mauvaise utilisation du produit invalide la présente garantie.
2. Cette garantie n'est pas transférable et n'est offerte qu'à l'acheteur d'origine, tant que l'achat a été conclu chez un fournisseur autorisé du produit.
3. La garantie se limite à la réparation ou au remplacement des pièces qui présentent des défauts de matériaux ou de fabrication, tant que ces pièces ont fait l'objet d'une utilisation et d'un entretien normaux, une fois un tel défaut confirmé par l'inspection effectuée par le fabricant.
4. Le fabricant peut, à sa discrétion, s'acquitter de toute obligation en vertu de la présente garantie en remboursant le prix de gros des pièces défectueuses.
5. Tout frais d'installation, de main-d'œuvre, de fabrication, de transport, ou d'autres frais connexes découlant des pièces défectueuses, de la réparation, du remplacement ou d'une intervention du même type, ne sont pas couverts par la présente garantie et le fabricant n'assume aucune responsabilité à cet égard.
6. Le propriétaire ou l'utilisateur assume tous les risques, le cas échéant, incluant le risque de pertes ou dommages directs, indirects ou consécutifs découlant de l'utilisation de l'appareil, ou de l'incapacité à utiliser l'appareil, sauf conformément aux dispositions de la loi.
7. Toutes les autres garanties, explicites ou implicites, sur le produit, ses composants et ses accessoires ainsi que toute autre obligation ou responsabilité du fabricant sont expressément exclues par les présentes.
8. Le fabricant n'assume ni n'autorise un tiers à assumer, en son nom, toute autre responsabilité quant à la vente de ce produit.
9. Les garanties énoncées dans le présent document ne couvrent pas les accessoires utilisés au cours de l'installation de ce produit.
10. Cette garantie vous confère des droits particuliers et vous pourriez aussi avoir d'autres droits qui varient d'une province ou d'un État à l'autre.

Cette garantie sera annulée si :

- a. Le chauffage est exposé à l'humidité ou à la condensation pendant des périodes prolongées.
- b. Le produit a fait l'objet d'une modification non autorisée, d'un abus volontaire ou d'une mauvaise utilisation, ou a subi un accident.
- c. Vous n'avez pas le reçu de vente original.

SERVICE À LA CLIENTÈLE

www.tsicustomerservice.com

Pour le Service Clientèle Appeler le 1-800-318-9373

Questions? Nos centres d'appels sont disponibles 7 jours sur 7 et 24 heures sur 24 avec notre ligne d'assistance sans frais. Notre service à la clientèle est disponible du Lundi au Vendredi 8h30-17h30 HNE. Nous pouvons vous assister à l'assemblage et, si nécessaire, remplacer les pièces endommagées / manquantes.

IMPORTANT :

Avant de contacter le service à la clientèle, assurez-vous d'avoir en main l'information suivante :

- Numéro de série
- Numéro de modèle
- Votre facture d'achat ou une preuve d'achat