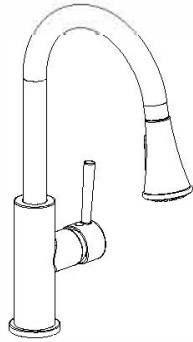


ULTRA FAUCETS



INSTRUCTION

Tools:

- Adjustable Wrench
- Pliers
- Pipe Wrench
- Screwdriver
- Teflon Tape



Maintenance:

Your new kitchen faucet is designed for years of trouble-free performance. Keep it looking new by cleaning it periodically with a soft cloth. Avoid abrasive cleaners, steel wool and harsh chemicals as these will dull the finish and void your warranty.

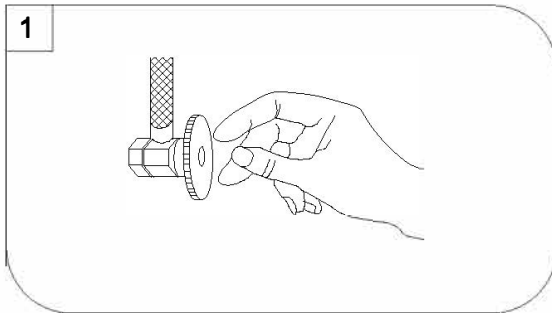
Single Handle Kitchen Faucet With Pull Down Spray

Model NO: UF14200

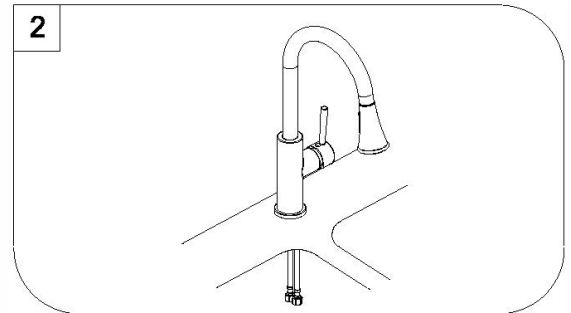
UF14203

UF14205

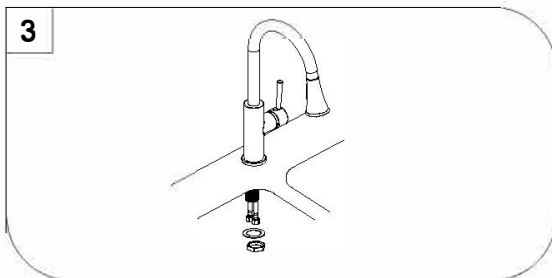
Preparation / Assembly



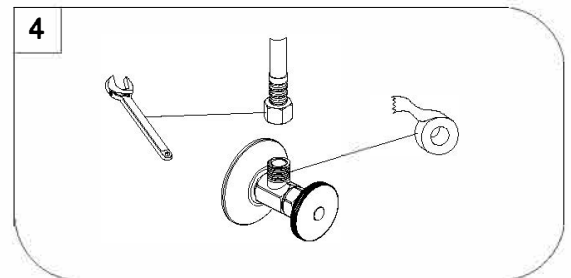
1 Shut off water supplies. Remove old faucet. Clean sink surface in preparation for new faucet.



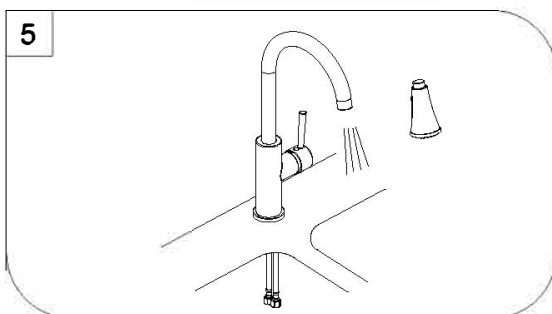
2 Place optional Flange on bottom of new faucet before position faucet through mounting hole.



3 Screw the mounting stud into the body. Secure the faucet to sink by installing steel washer and nut onto it. Tighten with wrench.



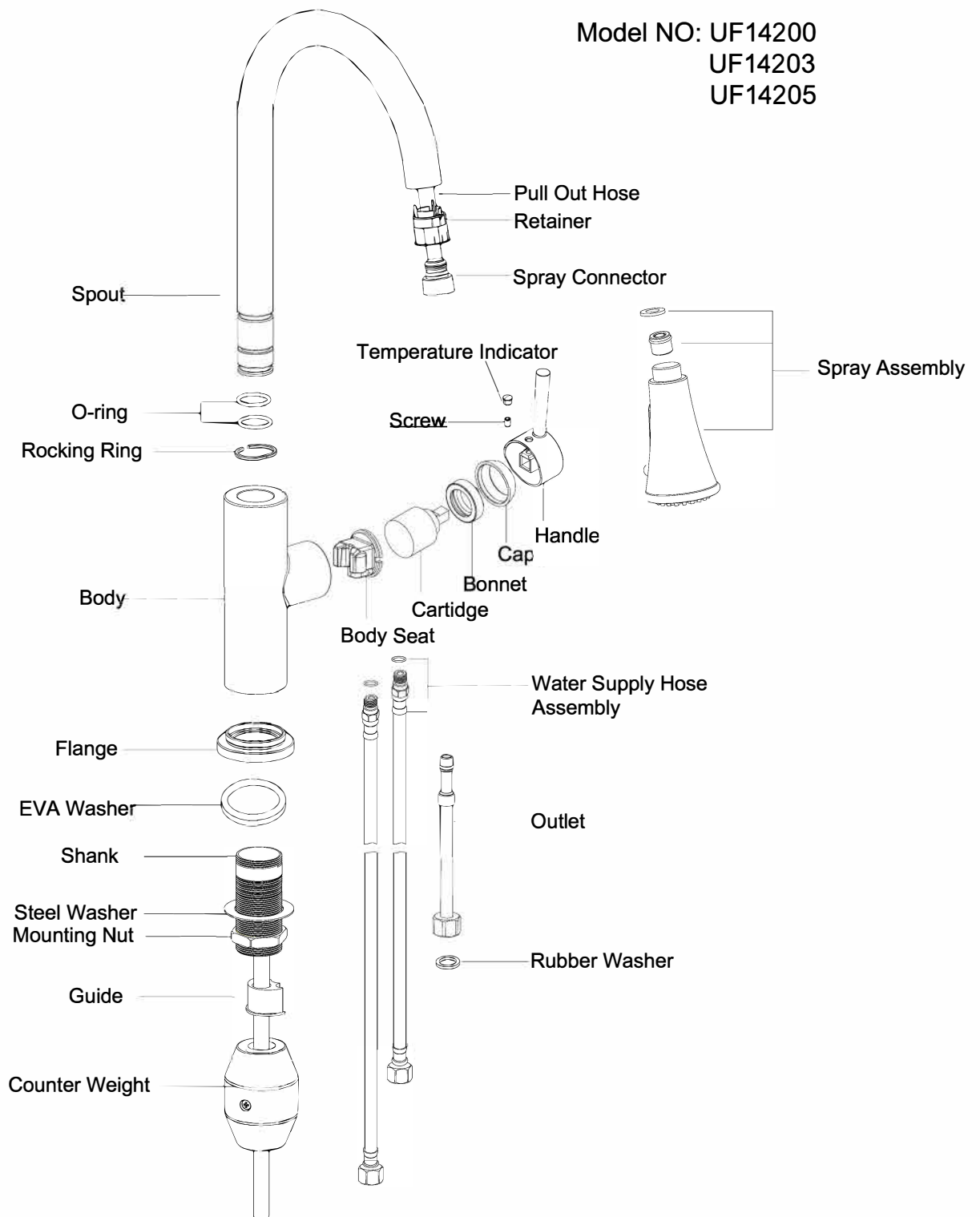
4 Apply pipe tape onto threads of water supplies. Use wrench when tightening the hose connection, do not overtighten.



5 Important: After installation is completed. Turn on water supply and allow both hot and cold water to run for at least one minute each. While water is running, check for leaks. Reinstall Spray head. Your new faucet is now ready to use.

Exploded Drawing
RP(Replacement Parts)

Model NO: UF14200
UF14203
UF14205



Limited Lifetime Warranty

Ultra Faucets warrants to the original purchaser that its products will be free from defects in workmanship and materials. All Ultra Faucets are provided with a life time limited warranty. This warranty does not cover any other labor or service charges associated with the removal, repair, or reinstallation of Ultra Faucets products. This express warranty does not apply to products that have been damaged as a result of misuse, abuse, negligence, accident, faulty installation or maintenance practices and/or used in any manner contrary to those recommended by the manufacturer.