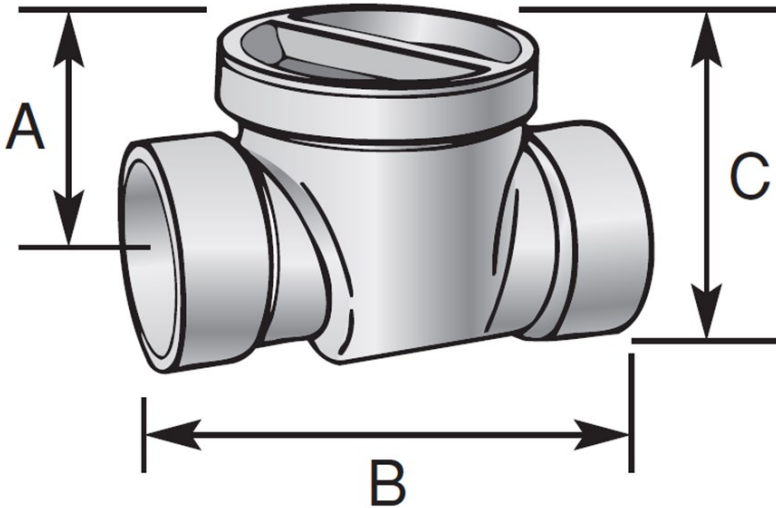


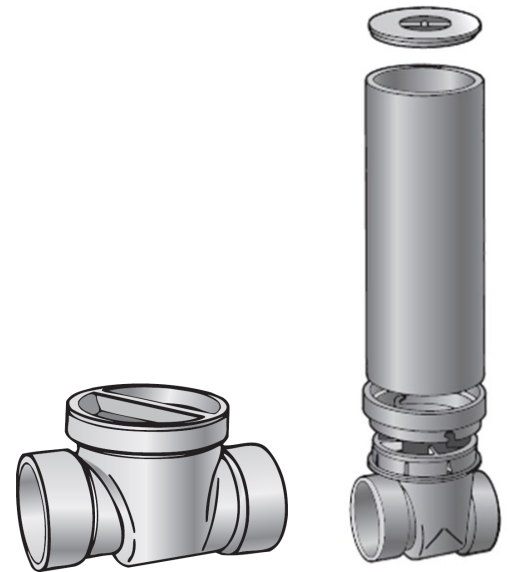
## GRAVITY BACKWATER VALVE



Standard Material

PVC components: Virgin PVC with cell classification 12454 & corresponding physical properties as classified by ASTM D1784. Gaskets/O-ring : Must comply weigh requirements of ASTM C1440.

The NDS gravity flow Backwater Valve is designed to protect low areas or basements from the backflow of waste from the street sewers. It is available in 2", 3", 4", and 6" Hubs outlets; which fit 2", 3", 4" and 6" DVW and IPS pipe. The 3", 4" and 6" Hubs may also be adapted to fit sewer and drain pipe with the use of NDS "DWV to Sewer and Drain Adapters" (2P41, 3P42, 2P43).



Part No.	Description	Color	Wt. Ea. (lbs.)
<b>PVC</b>			
275P	2" PVC Backwater Valve	White	1
275PR	2" PVC Backwater Valve with Riser and Cover	White	5.00
375P	3" PVC Backwater Valve	White	2.33
375PR	3" PVC Backwater Valve with Riser and Cover	White	5.00
475P	4" PVC Backwater Valve	White	4.33
475PR	4" PVC Backwater Valve with Riser	White	8.00
675P	6" PVC Backwater Valve	White	9.00
<b>ABS</b>			
275	2" ABS Backwater Valve	Black	1
375	3" ABS Backwater Valve	Black	1.83
375R	3" ABS Backwater Valve with Riser and Cover	Black	4.00
475	4" ABS Backwater Valve	Black	3.33
475R	4" ABS Backwater Valve with Riser and Cover	Black	7.00
675	6" ABS Backwater Valve and Cover	Black	7.00

Item Number	A	B	C	Riser Height	Riser Dia.
275P, 275	2.18	5.03	3.53	16	4
275PR	2.18	5.03	3.53	16	4
375P, 375	3.51	7.56	6.10	16	6
375PR, 375R	3.51	7.56	6.10	16	6
475P, 475	4.47	11.18	7.18	16	8
475PR, 475R	4.47	11.18	7.18	16	8
675P, 675	5.50	15.25	9.90	16	10