

*If you have questions or comments, contact us.  
Pour toute question ou tout commentaire, nous contacter.*

*Si tiene dudas o comentarios, contáctanos.*

**855-805-5745 • [www.dewalt.com](http://www.dewalt.com)**

**INSTRUCTION MANUAL  
GUIDE DE UTILISATION  
MANUAL DE INSTRUCCIONES**

INSTRUCTIVO DE OPERACION, CENTROS DE SERVICIO Y POLIZA DE GARANTIA, **ADVERTENCIA:** LEASE ESTE INSTRUCTIVO ANTES DE USAR EL PRODUCTO.

# DEWALT®

**Electric Forced Air Heater DXH2000TS and DXH2003TS  
Chauffage électrique à air forcé DXH2000TS and DXH2003TS  
Calentador eléctrico de aire forzado DXH2000TS and DXH2003TS**

2017- 41002 - CB

**READ INSTRUCTIONS CAREFULLY:** Read and follow all instructions. Place instructions in a safe place for future reference. Do not allow anyone who has not read these instructions to assemble, adjust or operate the heater.

**VEUILLEZ LIRE ATTENTIVEMENT LES INSTRUCTIONS :** Lisez et observez toutes les instructions. Conservez ces instructions dans un endroit sécuritaire pour vous y référer ultérieurement. Interdisez à quiconque n'ayant pas lu les présentes directives d'assembler, de régler ou de faire fonctionner cette fournaise.

**LEA CUIDADOSAMENTE LAS INSTRUCCIONES:** Lea y siga todas las instrucciones. Conserve estas instrucciones en un lugar seguro para futura referencia. No permita que nadie que no haya leído estas instrucciones arme, ajuste o use el calentador.

**Definitions: Safety Guidelines**

The definitions below describe the level of severity for each signal word. Please read the manual and pay attention to these symbols.

- ▲ **DANGER:** Indicates an imminently hazardous situation which, if not avoided, **will** result in **death or serious injury**.
- ▲ **WARNING:** Indicates a potentially hazardous situation which, if not avoided, **could** result in **death or serious injury**.
- ▲ **CAUTION:** Indicates a potentially hazardous situation which, if not avoided, **may** result in **minor or moderate injury**.
- NOTICE:** Indicates a practice not related to personal injury which, if not avoided, **may** result in **property damage**.

**▲ WARNING: DO NOT OPERATE THIS HEATER UNTIL YOU READ AND UNDERSTAND THIS INSTRUCTION MANUAL FOR SAFETY, OPERATION, AND MAINTENANCE INSTRUCTIONS.**

▲ **CAUTION:** Use of this heater in any means not described in this manual may cause fire, electric shock, personal injury and/or property damage.

▲ **CAUTION:** This heater is hot when in use. To avoid burns, do not let bare skin touch hot surfaces. Keep combustible materials, such as furniture, pillows, bedding, papers, clothes, and curtains at least 6 feet (1.8 m) from the front of the heater and keep them at least 2 feet (.6 m) away from the sides and rear

▲ **CAUTION:** In order to avoid unintended cycling of the heater, always unplug or disconnect unit from power source when not in use.

▲ **CAUTION:** Do not cover the power supply wiring or run the wiring under any carpet or rugs. Arrange cord and connections away from traffic patterns so it is not a tripping hazard.

▲ **CAUTION:** Connect unit to only properly grounded outlets and adequately sized and grounded electrical systems.

▲ **CAUTION:** Do not use this unit with unapproved or under sized electrical connections or wiring. They may overheat and cause a risk of fire.

▲ **WARNING:** Do not use the heater if the unit, plug or cord has visible damage or the unit has malfunctioned. Contact a reputable electrician before reusing.

▲ **WARNING:** Do not expose to wet conditions; unit is intended for indoor use only.

▲ **WARNING:** Unit not intended for use in indoor areas where heater may be exposed to water. Avoid use in bathrooms, laundry rooms or any other areas where the unit may come in contact with water.

▲ **WARNING:** Do not insert or allow any foreign objects to enter the unit via the intake or exhaust vents on the unit. Failure to observe this warning may result in electric shock, fire or damage to the unit.

▲ **WARNING:** To prevent fire do not block either the air intake or exhaust.

▲ **WARNING:** Unit is equipped with internal active electrical components that spark during use. Do not use in areas where fumes from gasoline, paint or other flammable liquids may be present.

▲ **WARNING:** Extreme caution must be used when any heater is used by or near children or invalids and whenever the heater is left operating and unattended.

**SAVE THESE INSTRUCTIONS.**

## Assembly

- Remove the heater and all of the packaging material from the box.
- Check all of the packing material for loose parts and set aside.
- Remove and retain the four handle mounting screws that are threaded into the top shell.
- Thoroughly inspect the heater for damage. If any is found do not contact the place of purchase. Please call the Manufacturer at 855-805-5745.
- Use the four handle mounting screws to fasten the handle to the top of the heater

Note: Do not over tighten the screws as they can crack the handle.

*The handle is located in the carton loose be sure not to throw out.*

## Operational Information

The DeWalt Electric forced air heaters are designed to be used by professionals.

Heat is created by electric current passing through coiled metal elements bringing them up to very high temperatures. The fan then passes room air over the hot elements exchanging cold air for warm.

The air moving over the coils keeps them from reaching temperatures that are not safe for the normal operation of the heater. However it is important to keep all combustible materials and any objects that may be sucked into the fan blades at a safe distance (please refer to the table on the next page for appropriate distances). Make sure that the fan blades remain unobstructed at all times.

Keep unit clean and dust free. Do not block unit intake or exhaust at any time.

## Operation

Review and understand all warnings in this manual. Follow all local codes. These heaters are designed to be used with 240v ac only.

*This heater must be wired by a certified electrician.*

## CONTENTS

WARNINGS .....	2
ASSEMBLY .....	3-4
OPERATION .....	5-6
SPECIFICATIONS .....	5
CLEARANCES .....	5
MAINTENANCE .....	5
TROUBLESHOOTING .....	6
WIRING DIAGRAMS .....	7
PARTS LISTS/EXPLODED VIEWS .....	8-11
WARRANTY .....	12
INSTRUCTIONS FOR ORDERING PARTS .....	12

# WHEEL KIT ASSEMBLY

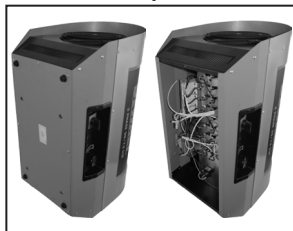
CONTENTS			
REF#	ITEM#	ITEM DESCRIPTION	QTY
1	40857	Handle Assembly	1
2	21875	Carriage Assembly	1
3	21897	Axle Assembly	1
4	40859	Wheels Assembly	2
5	41076	Base Plate	1
6	28787	Hardware Kit	1
Hardware Kit Includes		Screws, w/nuts	4
		Wheel Spacer	2
		Hub Cap	2
		Large Washer	2
		Cotter Pin	2
		Base Plate Bolts	4

Tools Needed	-Phillips Head Screw driver -Socket Wrench w/ 9/16 socket or wrench
--------------	--

After completely unpacking wheel kit, inspect for damaged or missing pieces.  
If there are damaged or missing pieces please contact 1-800-805-5745

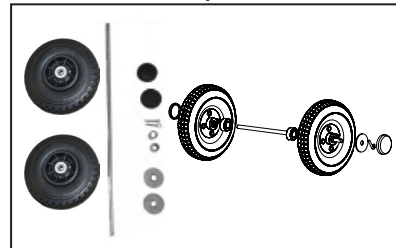


## Step 1.



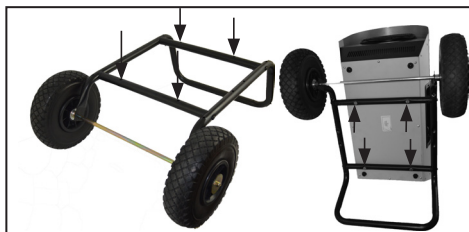
Remove bottom panel off heater and reuse same screws to install the base plate that is provided in the kit.

## Step 2.



Install the axle and wheels to the carriage.

## Step 3.



Set the heater on top of carriage lining the four threaded bolt holes with the four holes on the carriage. Attach the heater to the carriage by using the four bolts provided in hardware kit.

## Step 4.



Attach the handle to the carriage using the four nuts and bolts provided in the hardware kit.

### FOR ANY QUESTIONS:

Please call Toll Free 1-855-805-5745

Please include the model number, date of purchase and description of problem in all communications.

## Starting Instructions, After Heater Has Been Professionally Wired

- Place the heater on a stable and level surface. Insure clearance to combustibles are observed (see table on this page).
- Turn thermostat counter-clockwise to lowest setting.
- Move 4 way selector switch from the off position to the fan position for fan only operation.
- Move the selector switch to the 13kW position for partial power operation. The partial power input requirement for the DXH2000TS is 240Vac/54A which requires the use of a 60A/2 pole circuit breaker. The partial power input requirement for the DXH2003TS is 240Vac/33A which requires the use of a 40A/3 pole circuit breaker.
- Turn thermostat knob up (clockwise) until desired temperature setting is reached.
- Move the selector switch to the 20kW position for full power operation. The full power input requirement for the DXH2000TS is 240Vac/81A which requires the use of a 100A/2 pole circuit breaker. The full power requirement for the DXH2003TS is 240Vac/50A which requires a 60A/3 pole circuit breaker.
- The heating element and fan will remain on until the temperature setting is reached. The heating element will cycle on and off as needed. The fan will remain on as long as the control switch is in the on position.

## To Stop Heating

Rotate the 4 way selector switch to the fan position for cool down. When the unit is cool move the selector switch to the off position.

*NOTE: This heater is equipped with an overheat limit switch which may cause the heater to stop. This is indicated by a visual alarm when the power switch is in the on position and all lights are off. (fig 1) Check and remove the cause of the overheating before restarting. This can take up to 15 minutes to cool before it can be restarted.*

## Maintenance

### ▲ WARNING:

Never attempt to service the heater while the unit is hot, In use, or plugged in. Only qualified service technicians should service these units.

- Thoroughly inspect the unit prior to use.
- Keep heater clean and free of dust and debris.
- The use of an air compressor can be used to blow out the dust from the heater case. Be sure to only use moderate air pressure as to not damage any internal components.

- A soft dry cloth should be used for cleaning of outer shell and handle.
- The fan motor is sealed and does not need to be lubricated.

## Specifications

Model:	DXH2000	DXH2003P
Heat Output BTU/WATTS	44,357/13kW - 68,242/20kW	44,357/13kW - 68,242/20kW
Power Cord	6/3 AWG for 10' or less	8/4 AWG for 10' or less
Airflow (CFM)	725	725
Electrical Supply	240Vac	240Vac
Minimum Breaker Required	60A/2 Pole/Low - 100A/2 Pole/Hi	40A/3 Pole/Low - 60A/3 Pole/Hi
Amps	54/81	33/50
Thermostat	23 F - 95 F	23 F - 95 F
Dimensions: (L"xW"xH")	27"x15"x18"	27"x15"x18"
Weight (lbs.)	49 lb.	49 lb.

## Clearance to Combustibles

Outlet (Feet)	6 (1.8m)
Rear (Feet)	2 (.6m)
Top (Feet)	2 (.6m)
Bottom	Non-combustible floor

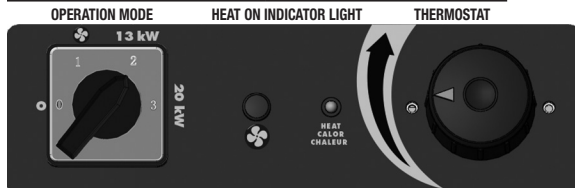


FIG. 1

Fan indicator light is on when circulation fan is operating.

Note: Your heater is equipped with auto cool down and warm-up features.

#### **AUTO COOLDOWN.**

When the heater is running and the selector switch is rotated to the off position, the heater will automatically keep the fan operating until the heater is cool. The fan will then shut off.

#### **AUTO WARM-UP.**

When the heater is stored or started in very cold conditions and a heating mode is selected, the heating element will turn on to warm up the unit before the fan will start to blow hot air.

**▲ WARNING: USE ONLY MANUFACTURER'S REPLACEMENT PARTS. USE OF ANY OTHER PARTS COULD CAUSE INJURY OR DEATH. REPLACEMENT PARTS ARE ONLY AVAILABLE DIRECT FROM THE FACTORY AND MUST BE INSTALLED BY A QUALIFIED SERVICE AGENCY.**

## **Storage**

When not in use, the heater must be disconnected from power source, dusted off and the cord should be loosely wound around the handle.

#### **For service :**

Please call Toll-Free 855-805-5745 [www.dewalt.com](http://www.dewalt.com)

Our office hours are 8:00 AM – 5:00 PM, EST, Monday through Friday.

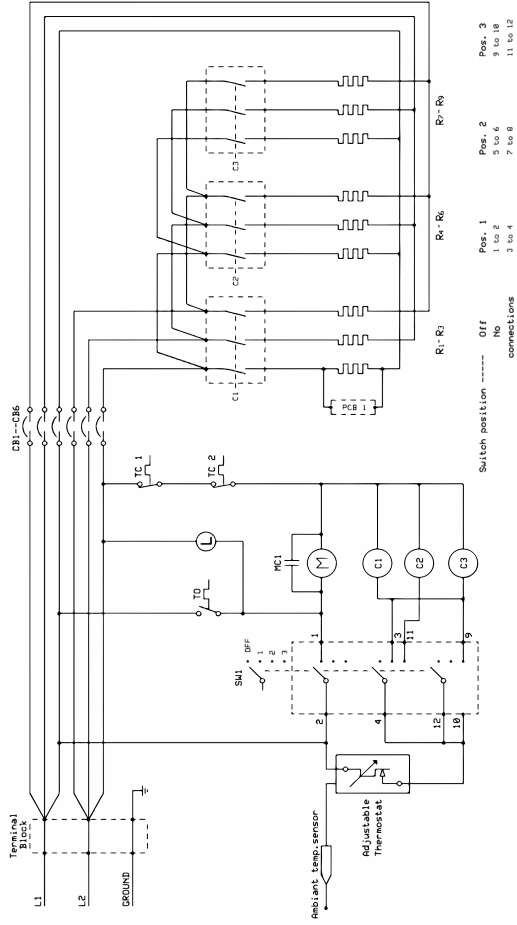
Please include the model number, date of purchase, and description of problem in all communication.

## **Troubleshooting**

Unit does not work	<ul style="list-style-type: none"><li>• Defective thermostat or wrong thermostat setting</li><li>• Open circuit breaker or fuse</li><li>• Thermal overload switch has been tripped</li><li>• Faulty Connection</li><li>• Damaged or defective plug or outlet</li></ul>
Unit runs continuously	<ul style="list-style-type: none"><li>• Defective thermostat or wrong thermostat setting</li><li>• Heat losses higher than unit capacity (unit undersized)</li></ul>
Elements are on but motor does not rotate	<ul style="list-style-type: none"><li>• Defective Motor</li><li>• Blocked fan blades</li></ul>
Enclosure is extremely hot	<ul style="list-style-type: none"><li>• Defective thermal protection</li><li>• Blocked air vents</li><li>• Defective motor</li></ul>
Desired room temperature cannot be reached	<ul style="list-style-type: none"><li>• One or more elements are defective</li><li>• Defective thermostat or wrong thermostat setting</li><li>• Voltage lower than that written on Rate tag</li><li>• Heat losses higher than unit capacity (unit undersized)</li></ul>
Overheating	<ul style="list-style-type: none"><li>• Defective thermostat or wrong thermostat setting</li><li>• Defective Motor</li></ul>
Heater emits a humming sound	<ul style="list-style-type: none"><li>• Defective motor</li><li>• Fan blade blocked</li></ul>

## WIRING DIAGRAM Model DXH2000TS

Maximum Overload Protection ... 100W/2-Pole



SH1 = Power switch (4 position)

C1 - C3 = Contactors &amp; contactor coils

TC 1 = Normally closed high limit switch 77°C

TC 2 = Normally closed high limit switch 77°C

TO = Normally open fan/cool-down switch 37°C

R1 - R9 = Heating Elements

PCB1 = Heat on LED indicator printed circuit board

M = Fan motor

L = Fan on indicator Lamp

CBI - C36 = Circuit Breakers 1 through 6 (30 amp)

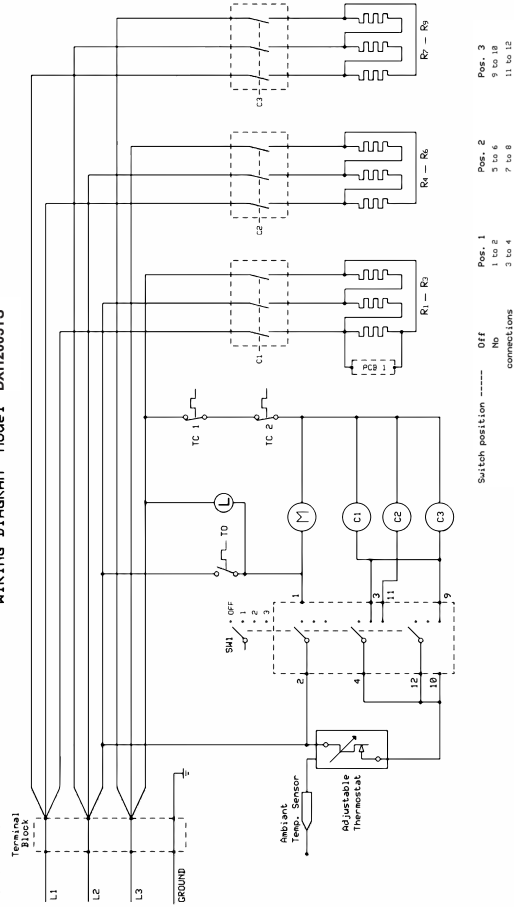
MC1 = Motor capacitor

7

## Wiring Diagrams

## WIRING DIAGRAM Model DXH2003TS

Maximum Overload Protection ... 50W/3-Pole



SH1 = Power switch (4 position)

C1 - C3 = Contactors &amp; contactor coils

TC 1 = Normally closed high limit switch 77°C

TC 2 = Normally closed high limit switch 77°C

TO = Normally open fan/cool-down switch 37°C

R1 - R9 = Heating Elements

PCB1 = Heat on LED indicator printed circuit board

L = Fan on indicator Lamp

M = Fan motor

MC1 = Motor capacitor

## Parts List DXH2000TS

REF. #.....ITEM#..... DESCRIPTION	REF. #.....ITEM#..... DESCRIPTION
1.....N/A.....COVER, TOP, SHELL, OUTER	21.....41092.....BRACKET, SWITCH, FAN, COOL DOWN
2.....N/A.....PANEL, FRONT	22.....N/A.....BRACKET, WIRE MOUNT
3.....N/A.....PANEL, REAR	23.....N/A.....BRACKET, BLOCK, TERMINAL, WIRING
4.....N/A.....SHIELD, RADIATION, TUBE	24.....41051.....DOOR, ACCESS
5.....N/A.....BASE, PLATE	25.....41064.....GUARD, GRILL, FRONT
6.....N/A.....PANEL, SIDE, LEFT	26.....41029.....SUPPORT, HEATING ELEMENT
7.....N/A.....PANEL, SIDE, RIGHT	27.....41030.....FOOT, RUBBER
8.....N/A.....BRACKET, MOUNT, MOTOR	28.....41031.....CLIP, SENSOR, CAPILLARY TUBE
9.....41080.....BRACKET, SWITCH, HIGH LIMIT	29.....41067.....MOTOR, FAN
10.....N/A.....BRACKET, CONTACTOR, ELEMENT, HEATING	30.....41094.....BLOCK, TERMINAL, WIRING
11.....41082.....GUARD, GRILL, REAR	31.....41070.....CAPACITOR, MOTOR, STARTER
12.....41083.....BLADE, FAN	32.....41032.....SWITCH, HIGH LIMIT, 77C
13.....41084.....ELEMENT, HEATING	33.....41053.....BOARD, CIRCUIT, HEAT ON, INDICATOR
14.....41085.....PANEL, CONTROL, PLASTIC	34.....41095.....HANDLE, CARRY
15.....41086.....CONTACTOR, ELEMENT, HEATING	35.....41027.....KNOB, THERMOSTAT, PLASTIC
16.....41087.....SWITCH, MAIN, 4, POSITION	36.....41034.....THERMOSTAT, TEMPERATURE, AMBIENT
17.....41088.....SWITCH, FAN, COOL DOWN, 37C	37.....41036.....BUSHING, PLASTIC, WIRE
18.....41089.....INDICATOR, FAN ON	38.....41096.....BUSHING, PLASTIC, WIRE
19.....41090.....BREAKER, CIRCUIT, 30AMP	39.....41081.....FRONT SCREEN ASSEMBLY
20.....41091.....BUSHING, STRAIN, RELIEF	40.....41100.....RADIATION SHIELD TUBE W/BRACKETS

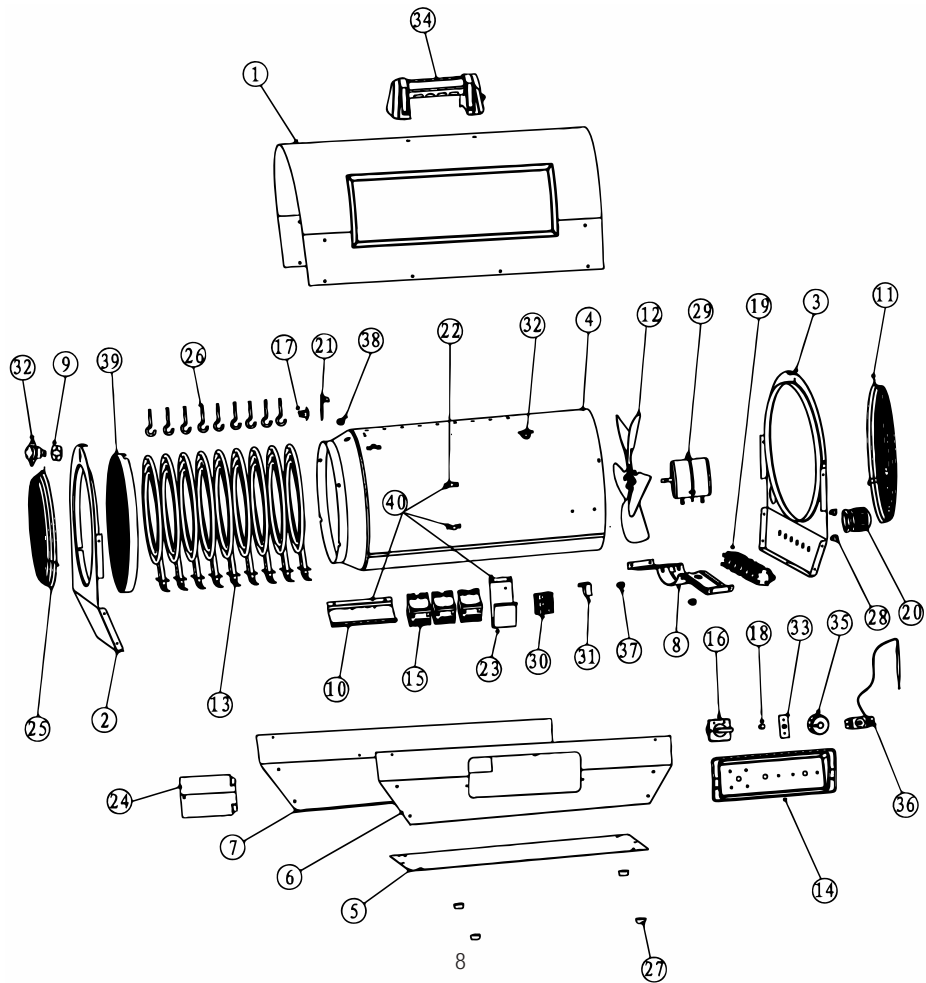
### ▲ WARNING:

Use only manufacturer's replacement parts. Use of any other parts could cause injury or death. Replacement parts are only available direct from the factory and must be installed by a qualified service agency.

### For Service

Please call Toll-Free 855-805-5745 [www.dewalt.com](http://www.dewalt.com)  
 Our office hours are 8:00 AM – 5:00 PM, EST, Monday through Friday.  
 Please include the model number, date of purchase, and description of problem in all communication.





## Parts List DXH2003TS

REF. #.....ITEM#..... DESCRIPTION	REF. #.....ITEM#..... DESCRIPTION
1.....N/A.....COVER, TOP, SHELL, OUTER	20.....41092.....BRACKET, SWITCH, FAN, COOLDOWN
2.....N/A.....PANEL, FRONT	21.....N/A.....BRACKET, WIRE MOUNT
3.....N/A.....PANEL, REAR	22.....N/A.....BRACKET, BLOCK, TERMINAL, WIRING
4.....N/A.....SHIELD, RADIATION, TUBE	23.....41051.....DOOR, ACCESS
5.....N/A.....BASE, PLATE	24.....41064.....GUARD, GRILL, FRONT
6.....N/A.....PANEL, SIDE, LEFT	25.....41029.....SUPPORT, HEATING ELEMENT
7.....N/A.....PANEL, SIDE, RIGHT	26.....41030.....FOOT, RUBBER
8.....N/A.....BRACKET, MOUNT, MOTOR	27.....41031.....CLIP, SENSOR, CAPILLARY TUBE
9.....41080.....BRACKET, SWITCH, HIGH LIMIT	28.....41067.....MOTOR, FAN
10.....N/A.....BRACKET, CONTACTOR, ELEMENT, HEATING	29.....41101.....BLOCK, TERMINAL, WIRING
11.....41082.....GUARD, GRILL, REAR	30.....41070.....CAPACITOR, MOTOR, STARTER
12.....41083.....BLADE, FAN	31.....41032.....SWITCH, HIGH LIMIT, 77C
13.....41084.....ELEMENT, HEATING	32.....41053.....BOARD, CIRCUIT, HEAT ON, INDICATOR
14.....41085.....PANEL, CONTROL, PLASTIC	33.....41095.....HANDLE, CARRY
15.....41086.....CONTACTOR, ELEMENT, HEATING	34.....41027.....KNOB, THERMOSTAT, PLASTIC
16.....41087.....SWITCH, MAIN, 4, POSITION	35.....41034.....THERMOSTAT, TEMPERATURE, AMBIANT
17.....41088.....SWITCH, FAN, COOLDOWN, 37C	36.....41036.....BUSHING, PLASTIC, WIRE
18.....41089.....INDICATOR, FAN ON	37.....41096.....BUSHING, PLASTIC, WIRE
19.....41091.....BUSHING, STRAIN, RELIEF	38.....41081.....FRONT SCREEN ASSEMBLY
	39.....41100.....RADIATION SHIELD TUBE W/BRACKETS

### **▲ WARNING:**

Use only manufacturer's replacement parts. Use of any other parts could cause injury or death. Replacement parts are only available direct from the factory and must be installed by a qualified service agency.

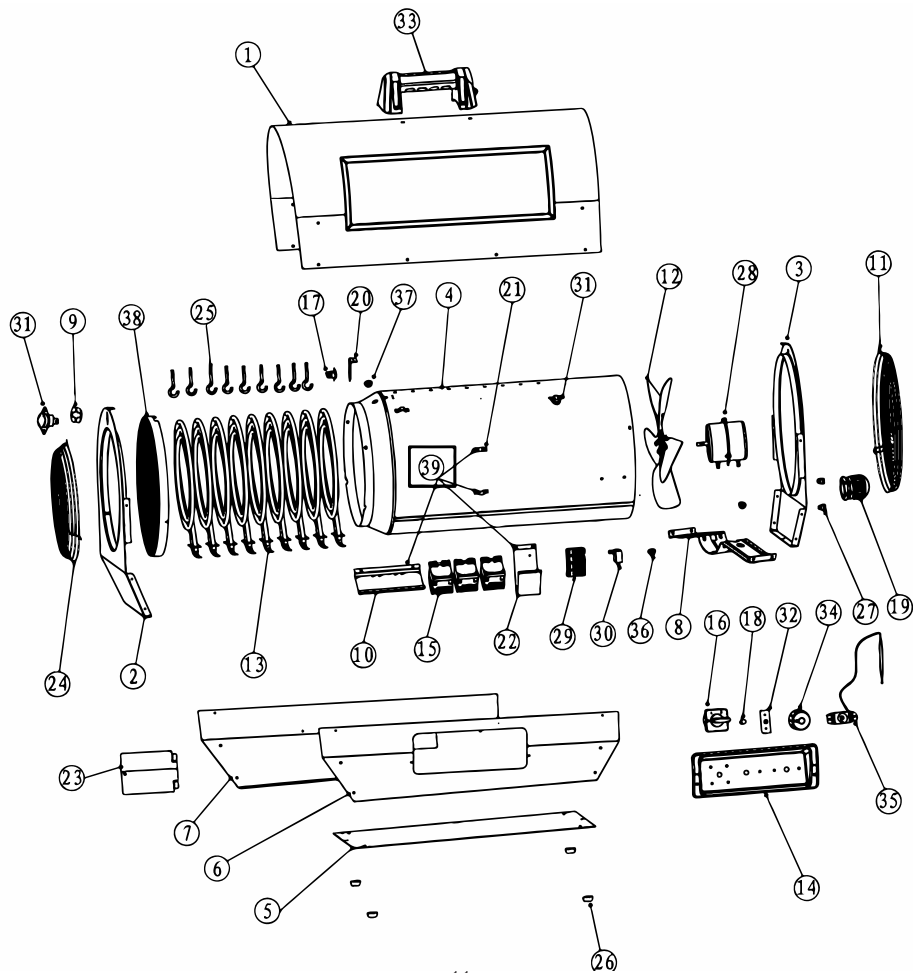
### **For Service**

Please call Toll-Free 855-805-5745 [www.dewalt.com](http://www.dewalt.com)

Our office hours are 8:00 AM – 5:00 PM, EST, Monday through Friday.

Please include the model number, date of purchase, and description of problem in all communication.

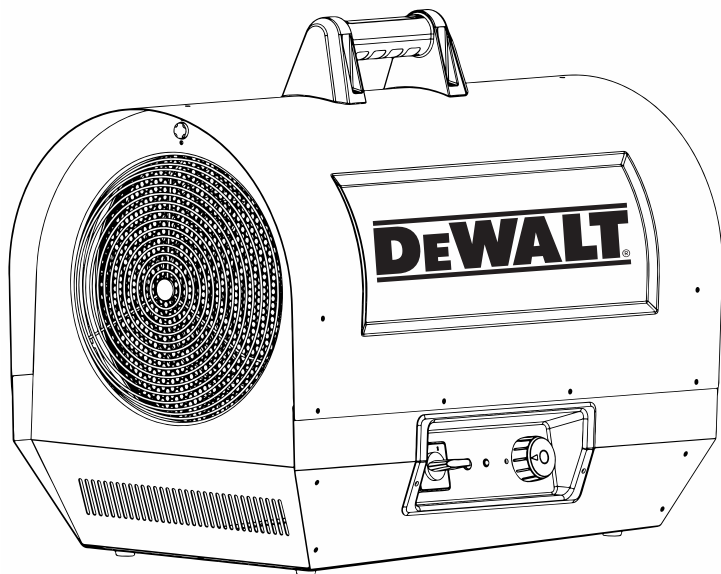
## DXH2003TS



# DEWALT®

## INSTRUCTION MANUAL

### Electric Forced-Air Heater DXH2000TS, DXH2003TS



### **Warning:**

Use only manufacturer's replacement parts. Use of any other parts could cause injury or death. Replacement parts are only available direct from the factory and must be installed by a qualified service agency.

### **PARTS ORDERING INFORMATION:**

**PURCHASING:** Accessories may be purchased at any DeWalt® local dealer or direct from the factory

### **FOR INFORMATION REGARDING SERVICE:**

Please call Toll-Free 855-805-5745  
[www.dewalt.com](http://www.dewalt.com)

Our office hours are 8:00 AM – 5:00 PM, EST, Monday through Friday.

Please include the model number, date of purchase, and description of problem in all communication.

### **LIMITED WARRANTY:**

DeWalt® warrants its heaters and accessories to be free from defects in material and workmanship for a period of 1 year from date of purchase. DeWalt® will repair or replace this product free of charge if it has been proven to be defective within the 1-year period, and is returned at customer expense with proof of purchase to DeWalt® within the warranty period.

DEWALT®, GUARANTEED TOUGH® and the yellow and black color scheme are trademarks of the DEWALT Industrial Tool Co., used under license. ©2013 DEWALT. EGI/Enerco Group Inc. Under license from Dewalt Industrial Tool Co.



CSA C22.2#46-2013

U.L. 2021

*If you have questions or comments, contact us.*

*Si vous avez des questions ou commentaires, veuillez nous contacter.*

*Llámenos si tiene alguna pregunta o comentario.*

**855-805-5745 • [www.dewalt.com](http://www.dewalt.com)**

**INSTRUCTION MANUAL  
MANUEL D'INSTRUCTIONS  
MANUAL DE INSTRUCCIONES**

**DEWALT®**

**Electric Forced Air Heater DXH2000TS and DXH2003TS**

**Appareil de chauffage à air forcé électrique modèles DXH2000TS et DXH2003TS**

**Calentador eléctrico a aire forzado DXH2000TS y DXH2003TS**

2017- 41002 - CB

**READ INSTRUCTIONS CAREFULLY:**

Read and follow all instructions. Place instructions in a safe place for future reference. Do not allow anyone who has not read these instructions to assemble, adjust or operate the heater.

**VEUILLEZ LIRE ATTENTIVEMENT LES INSTRUCTIONS :**

Lisez et observez toutes les instructions. Conservez ces instructions dans un endroit sécuritaire pour vous y référer ultérieurement. Interdisez à quiconque n'ayant pas lu les présentes instructions d'assembler, d'ajuster ou de faire fonctionner l'appareil de chauffage.

**LEA CUIDADOSAMENTE LAS INSTRUCCIONES:**

Lea y siga todas las instrucciones. Conserve estas instrucciones en un lugar seguro para futura referencia. No permita que nadie que no haya leído estas instrucciones arme, ajuste o use el calentador.

**Définitions : Directives de sécurité**

Les définitions ci-dessous décrivent le niveau de sévérité pour chaque mot signalétique. Veuillez lire le manuel et faire attention à ces symboles.

- ▲ **DANGER** : Indique « une situation à risque imminent, laquelle, si elle n'est pas évitée, **entraînera des blessures sérieuses ou la mort** ».
- ▲ **AVERTISSEMENT** : Indique « une situation à risque potentiel, laquelle si elle n'est pas évitée, **pourrait entraîner des blessures sérieuses ou la mort** ».
- ▲ **MISE EN GARDE** : Indique une situation dangereuse potentielle, laquelle, si elle n'est pas évitée, **peut causer des blessures mineures ou des blessures légères**.
- ▲ **AVIS** : Indique une pratique non reliée à une blessure personnelle, laquelle, si elle n'est pas évitée, **peut entraîner des dommages aux biens**.

**▲ AVERTISSEMENT : NE FAITES PAS FONCTIONNER CET APPAREIL DE CHAUFFAGE JUSQU'À CE QUE VOUS AYEZ LU ET COMPRIS CE MANUEL D'INSTRUCTIONS POUR LES DIRECTIVES DE SÉCURITÉ, DE FONCTIONNEMENT ET D'ENTRETIEN.**

▲ **MISE EN GARDE** : L'utilisation de cet appareil de chauffage de toute autre façon que celle décrite dans ce manuel peut provoquer un incendie, une décharge électrique, des blessures personnelles et/ou aux biens.

▲ **MISE EN GARDE** : Cet appareil devient chaud lorsqu'utilisé. Pour éviter les brûlures, évitez que la peau touche aux surfaces chaudes. Gardez les produits combustibles, tels que les meubles, les oreillers, la literie, les papiers, les vêtements et les rideaux, à au moins 1,8 m (6 pi) du devant de l'appareil de chauffage et gardez-les à au moins 0,6 m (2 pi) des côtés et de l'arrière.

▲ **MISE EN GARDE** : Afin d'éviter tout cycle inattendu de l'appareil de chauffage, toujours le débrancher ou le déconnecter de la source d'alimentation lorsque vous ne l'utilisez pas.

▲ **MISE EN GARDE** : Ne recouvrez pas le câblage de l'alimentation ni ne le faites courir sous tout tapis ou carpepe. Placez le cordon d'alimentation et les branchements loin des zones de circulation, de sorte qu'ils ne deviendront pas un risque de trébuchement.

▲ **MISE EN GARDE** : Branchez l'appareil à des prises de courant correctement mises à la terre et de la bonne grandeur, ainsi qu'à des systèmes électriques mis à la terre.

▲ **MISE EN GARDE** : N'utilisez pas l'appareil avec des connexions ou des câblages électriques non approuvés ou trop petits. Ils peuvent surchauffer et provoquer un risque d'incendie.

▲ **AVERTISSEMENT** : N'utilisez pas l'appareil de chauffage si celui-ci, la fiche ou le cordon a des dommages visibles ou si l'appareil a mal fonctionné. Avant d'utiliser de nouveau l'appareil, veuillez communiquer avec un électricien qualifié.

▲ **AVERTISSEMENT** : N'exposez pas l'appareil à des conditions d'humidité; cet appareil est conçu seulement pour une utilisation à l'intéri.

▲ **AVERTISSEMENT** : L'appareil n'est pas conçu pour être utilisé dans des zones à l'intérieur où il peut être exposé à de l'eau. Évitez de l'utiliser dans les salles de bain, les buanderies, ou toute autre zone où l'appareil peut entrer en contact avec de l'eau.

▲ **AVERTISSEMENT** : N'insérez ni ne permettez à aucun objet étranger d'entrer dans l'appareil par le biais de l'entrée ou de la sortie d'air de l'appareil. Un non-respect de cet avertissement peut provoquer une décharge électrique, un incendie ou des dommages à l'appareil.

▲ **AVERTISSEMENT** : Pour empêcher tout incendie, ne bloquez ni l'entrée ni la sortie d'air.

▲ **AVERTISSEMENT** : L'appareil est équipé avec des composants électriques internes actifs qui produisent des étincelles lors de son utilisation. Ne l'utilisez pas dans des zones où des émanations d'essence, de peinture ou d'autres liquides inflammables peuvent s'y trouver.

▲ **AVERTISSEMENT** : Une étroite surveillance est requise lorsque tout appareil de chauffage est utilisé par ou près des enfants ou des personnes handicapées et lorsque l'appareil est laissé en opération et sans surveillance.

**CONSERVEZ CES INSTRUCTIONS.**

## Assemblage

- Enlevez l'appareil de chauffage et tout le matériel d'emballage de la boîte.
- Vérifiez l'ensemble du matériel d'emballage pour toute pièce mobile et mettez-les de côté.
- Enlevez et mettez de côté les quatre vis de montage de la poignée qui sont filetées dans la coque supérieure.
- Inspectez à fond l'appareil de chauffage pour en déceler tout dommage. Si vous en trouvez, ne communiquez pas avec le lieu d'achat. Communiquez plutôt avec le fabricant au 855-805-5745.
- Utilisez les quatre vis de montage de la poignée pour fixer cette dernière au haut de l'appareil de chauffage.

Remarque : Ne pas trop serrer les vis car cela peut fissurer la poignée.

*La poignée est située dans le matériel d'emballage de la boîte; assurez-vous de ne pas la jeter.*

## Information sur le fonctionnement

Les appareils de chauffage à air forcé électriques DeWalt sont conçus pour être utilisés par des professionnels.

La chaleur est créée par un courant électrique passant à travers des éléments métalliques spiralés, les chauffant à de très fortes températures. Le ventilateur fait courir l'air de la pièce sur les éléments chauds, échangeant ainsi l'air froid en de l'air chaud.

L'air se déplaçant sur les spirales les empêche d'atteindre des températures dangereuses pour le fonctionnement normal de l'appareil de chauffage. Cependant, il est important de garder tout matériel combustible et tout objet qui peuvent être aspirés dans les pales du ventilateur à une distance sécuritaire (veuillez vous référer à la table à la page suivante pour les distances appropriées). Assurez-vous que les pales du ventilateur demeurent dégagées en tout temps.

Gardez l'appareil propre et libre de poussières. Ne jamais bloquer l'entrée ou la sortie de l'appareil.

## Fonctionnement

Révisé et comprenez l'ensemble des avertissements dans ce manuel. Suivez tous les codes locaux. Ces appareils de chauffage sont conçus pour utilisation avec une tension de 240 VCA uniquement.

Cet appareil de chauffage doit être câblé par un électricien qualifié.

## TABLE DES MATIÈRES

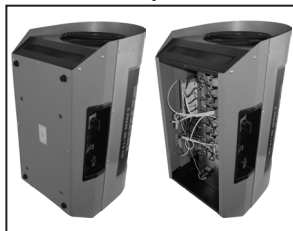
AVERTISSEMENT .....	2
ASSEMBLAGE .....	3-4
FONCTIONNEMENT .....	5-6
SPÉCIFICATIONS .....	5
ESPACES LIBRES .....	5
ENTRETIEN .....	5
GUIDE DE DÉPANNAGE.....	6
SCHÉMAS DU CÂBLAGE.....	7
LISTES DES PIÈCES/VUES ÉCLATÉES .....	8-11
GARANTIE.....	12
INSTRUCTIONS POUR COMMANDER DES PIÈCES.....	12

# ENSEMBLE ROUE KIT

CONTENU			
REF#	ARTICLE#	DESCRIPTION DE ARTICLES	QTY
1	40857	Poignée Assemblée	1
2	21875	Carriage Assembly	1
3	21897	Assemblée Axle	1
4	40859	Assemblée Roues	2
5	41076	Plaque de Base	1
6	28787	Hardware Kit	1
Kit de Hardware Comprend		Vis avec écrous roue Spacer Hub Cap Grande Rondelle Goupille Boulons de plaque de base	4 2 2 2 2 4
Outils Requis		-Tournevis cruciforme -Clé à douille w / 9/16 douille ou une clé	
Après kit de roue complètement déballage, inspecter les pièces endommagées ou manquantes. S'il est endommagé ou pièces manquantes s'il vous plaît contacter 1-800-805-5745			

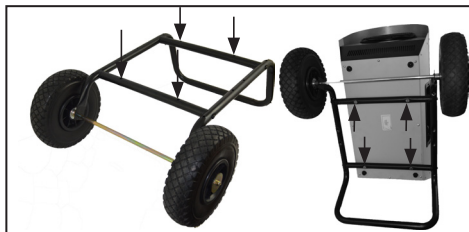


## Step 1.



Retirer le panneau inférieur de chauffage et de réutiliser mêmes vis pour installer la plaque de base qui est fourni dans le kit.

## Step 3.



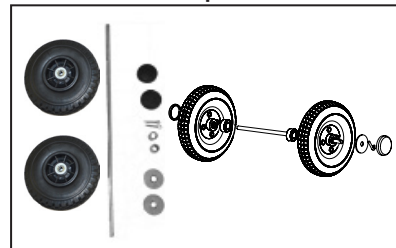
Régler le chauffe au-dessus du chariot alignant les quatre trous de boulons filetés avec les quatre trous sur le chariot. Fixer le chauffage sur le chariot en utilisant les quatre boulons fournis dans le kit de matériel.

## POUR TOUTE QUESTION:

S'il vous plaît appelez sans frais 1-855-805-5745

S'il vous plaît inclure le numéro de modèle, la date d'achat et la description du problème dans toutes les communications.

## Step 2.



Installez l'essieu et les roues du chariot.

## Step 4.



Fixer la poignée du chariot en utilisant les quatre écrous et boulons fournis dans le kit de matériel.



## Instructions de démarrage, après que l'appareil de chauffage ait été câblé professionnellement

- Placez l'appareil sur une surface plane et à niveau. Assurez-vous que l'espace libre entre tout combustible soit respecté (voir la table sur cette page).
- Tournez le thermostat dans le sens contraire des aiguilles d'une montre à sa plus basse position.
- Déplacez le commutateur du sélecteur à 4 voies de la position « fermée » à la position « ventilation » pour tout fonctionnement seul du ventilateur.
- Déplacez le commutateur du sélecteur à la position 13kW pour un fonctionnement avec une tension partielle. Les exigences de l'entrée de tension partielle pour le modèle DXH2000TS sont de 240 VCA/54 A, ce qui demande l'utilisation d'un disjoncteur bipolaire de 60 A. Les exigences de l'entrée de tension partielle pour le modèle DXH2003TS sont de 240 VCA/33A, ce qui demande l'utilisation d'un disjoncteur tripolaire de 40A.
- Tournez le bouton du thermostat vers le haut (dans le sens horaire) jusqu'à ce que la température désirée soit atteinte.
- Déplacez le commutateur du sélecteur à la position 20kW pour un fonctionnement avec une tension complète. Les exigences de l'entrée de tension complète pour le modèle DXH2000TS sont de 240 VCA/81A, ce qui demande l'utilisation d'un disjoncteur bipolaire de 100A. Les exigences de l'entrée de tension complète pour le modèle DXH2003TS sont de 240 VCA/50A, ce qui demande l'utilisation d'un disjoncteur tripolaire de 60A.
- L'élément chauffant et le ventilateur demeureront allumés jusqu'à ce que la configuration pour la température soit atteinte. L'élément de chauffage va effectuer un cycle de marche et d'arrêt si besoin est. Le ventilateur demeurera allumé aussi longtemps que le commutateur de contrôle est en position « marche ».

## Pour fermer le chauffage

Tournez le commutateur du sélecteur à 4 positions à la position « ventilation » pour refroidir. Lorsque l'appareil est refroidi, déplacez le commutateur du sélecteur à la position « fermé »

**REMARQUE :** Cet appareil de chauffage est équipé avec un commutateur de limite de surchauffe qui peut provoquer l'arrêt de l'appareil. C'est indiqué par une alarme visuelle lorsque le commutateur de tension est en position « en marche » et que tous les indicateurs soient éteints. (figure 1) Vérifiez et enlevez la cause de la surchauffe avant de redémarrer l'appareil. L'appareil peut prendre jusqu'à 15 minutes à se refroidir avant de redémarrer.

## Entretien

### ⚠ AVERTISSEMENT :

N'essayez jamais de faire l'entretien de l'appareil de chauffage s'il est chaud, en utilisation ou branché. Seuls des techniciens qualifiés devraient faire l'entretien de ces appareils.

- Veuillez toujours inspecter l'appareil avant de l'utiliser.
- Gardez l'appareil propre et libre de poussières et de débris.
- Vous pouvez utiliser de l'air comprimé pour souffler la poussière du bâti de l'appareil de chauffage.

Assurez-vous de seulement utiliser une pression d'air modérée afin de ne pas endommager les composants internes.

- Un doux chiffon sec devrait être utilisé pour nettoyer l'enceinte extérieure et la poignée.
- Le moteur du ventilateur est scellé et n'a pas besoin d'être lubrifié.

## Spécifications

Modèle :	DXH2000	DXH2003P
Sortie de la chaleur BTU/WATTS	44357/13kW - 68242/20kW	44357/13kW - 68242/20kW
Alimentation électrique	6/3 AWG	8/4 AWG
Flux d'air	725 pi <sup>3</sup> /mn	725 pi <sup>3</sup> /mn
Alimentation électrique	240 V CA	240 V CA
Disjoncteur min. requis	60A/Bipolaire/Bas - 100A/Bipolaire/Haut	40A/Tripolaire/Bas - 60A/Tripolaire/Haut
Courant	54/81 A	33/50 A
Thermostat	-5 C - 35 C	-5 C - 35 C
Dimensions : (LxH)	68,6 x 38,1 x 45,7 cm	68,6 x 38,1 x 45,7 cm
Poids	22,2 Kg	22,2 Kg

## Espace libre entre tout matériel combustible

Sortie	1,8 m
Arrière	0,6 m
Haut	0,6 m
Bas	Plancher non-combustible

MODE DE FONCTIONNEMENT    INDICATEUR DU CHAUFFAGE EN MARCHÉ    THERMOSTAT

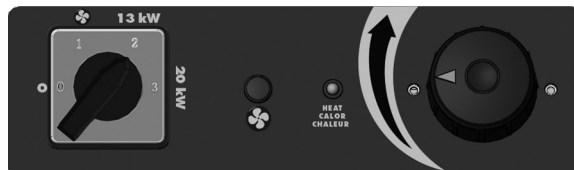


FIG. 1

L'indicateur du ventilateur est « en marche » lorsque le ventilateur de circulation est en fonctionnement.

Remarque : Votre appareil de chauffage est équipé avec des options de refroidissement et de chauffage automatiques.

#### REFROIDISSEMENT AUTOMATIQUE.

Lorsque l'appareil est en fonctionnement et que le commutateur du sélecteur est tourné à la position « fermé », l'appareil de chauffage va automatiquement garder le ventilateur en marche jusqu'à refroidissement de l'appareil de chauffage. Le ventilateur va alors s'arrêter.

#### CHAUFFAGE AUTOMATIQUE.

Lorsque l'appareil de chauffage est entreposé ou démarré dans des conditions très froides et qu'un mode de chauffage est sélectionné, l'élément chauffant s'allumera pour réchauffer l'appareil avant que le ventilateur commence à souffler de l'air chaud.

**⚠ AVERTISSEMENT : N'UTILISEZ QUE LES PIÈCES DE REMPLACEMENT DU FABRICANT. L'UTILISATION D'AUTRES PIÈCES RISQUE DE CAUSER DES BLESSURES ET LA MORT. LES PIÈCES DE RECHANGE SONT SEULEMENT DISPONIBLES DIRECTEMENT DE L'USINE ET DOIVENT ÊTRE INSTALLÉES PAR UNE ENTREPRISE DE SERVICE SPÉCIALISÉE.**

## Guide de dépannage

L'appareil ne fonctionne pas	<ul style="list-style-type: none"><li>• Thermostat défectueux ou mauvaise configuration du thermostat</li><li>• Disjoncteur ou fusible ouvert</li><li>• Le commutateur de surcharge thermique s'est déclenché</li><li>• Branchement défectueux</li><li>• Prise ou fiche endommagée ou défectueuse</li></ul>
L'appareil fonctionne sans arrêt	<ul style="list-style-type: none"><li>• Thermostat défectueux ou mauvaise configuration du thermostat</li><li>• Pertes de chaleur plus élevées que la capacité de l'appareil (l'appareil est sous-dimensionné)</li></ul>
Les éléments sont allumés mais le moteur ne tourne pas	<ul style="list-style-type: none"><li>• Moteur défectueux</li><li>• Pales du ventilateur bloquées</li></ul>
L'enceinte est extrêmement chaude	<ul style="list-style-type: none"><li>• Protection thermique défectueuse</li><li>• Événements d'air bloqués</li><li>• Moteur défectueux</li></ul>
La température désirée de la pièce ne peut pas être atteinte	<ul style="list-style-type: none"><li>• Un élément, ou plus, est défectueux</li><li>• Thermostat défectueux ou mauvaise configuration du thermostat</li><li>• Tension plus basse que ce qui est indiquée sur l'étiquette du taux de tension</li><li>• Pertes de chaleur plus élevées que la capacité de l'appareil (l'appareil est sous-dimensionné)</li></ul>
Surchauffe	<ul style="list-style-type: none"><li>• Thermostat défectueux ou mauvaise configuration du thermostat</li><li>• Moteur défectueux</li></ul>
L'appareil émet un bourdonnement	<ul style="list-style-type: none"><li>• Moteur défectueux</li><li>• Pale du ventilateur bloquée</li></ul>

## Entreposage

Lorsque l'appareil de chauffage n'est pas utilisé, il doit être débranché de la source de tension, épousseté et le cordon doit être grossièrement enroulé autour de la poignée.

#### Pour l'entretien :

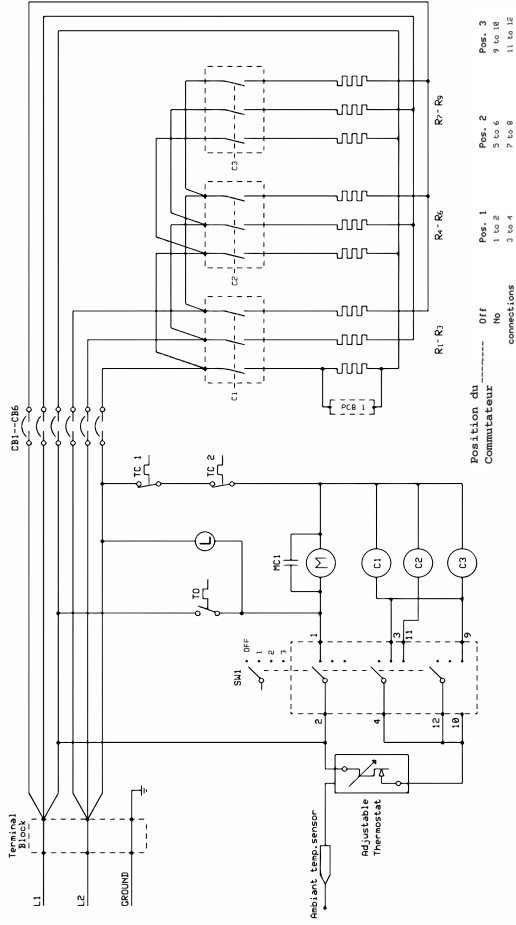
Veuillez appeler sans frais le 855-805-5745 [www.dewalt.com](http://www.dewalt.com)

Nos heures de bureau sont de 8 h 00 à 17 h, fuseau horaire de l'est, du lundi au vendredi.

Veuillez inclure le numéro du modèle, la date d'achat et la description du problème lors de toute communication.

## SCHEMA DE CÂBLAGE MODÈLE DXH200TS

Protection maximale contre les surcharges...100A / 2-pole



SH1 = Interrupteur d'alimentation (4 positions)

C1 - C3 = Contacteur et bobines du contacteur

TC 1 = Interrupteur de haute limite normalement fermé 77°C

TC 2 = Interrupteur de haute limite normalement fermé 77°C

TC 3 = Interrupteur de haute limite normalement fermé 77°C

TO = Commut. de surcharge

R1 - R3 = Éléments chauffants

PCB1 = Circuit imprimé avec indicateur DEL « en marche »

M = Moteur de ventilation

TC = Lampe de l'indicateur du ventilateur « en marche »

TC 1 = Lampe de l'indicateur du ventilateur « en marche »

TC 2 = Lampe de l'indicateur du ventilateur « en marche »

MCI = Condensateur du moteur

Position du Commutateur

Off

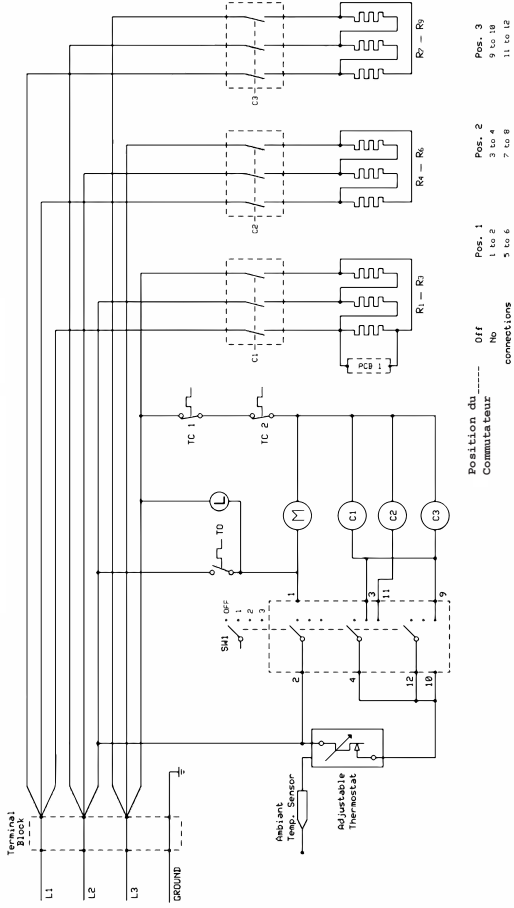
No

connections

## Schémas du câblage

Protection maximale contre les surcharges

## SCHEMA DE CÂBLAGE MODÈLE DXH200TS



SH1 = Interrupteur d'alimentation (4 positions)

C1 - C3 = Contacteur et bobines du contacteur

TC 1 = Interrupteur de haute limite normalement fermé 77°C

TC 2 = Interrupteur de haute limite normalement fermé 77°C

TC 3 = Interrupteur de haute limite normalement fermé 77°C

TO = Commut. de surcharge

R1 - R3 = Éléments chauffants

PCB1 = Circuit imprimé avec indicateur DEL « en marche »

M = Moteur de ventilation

MCI = Condensateur du moteur

Position du Commutateur

Off

No

connections

Pos. 1

1 to 2

3 to 4

5 to 6

7 to 8

9 to 10

11 to 12

Pos. 2

3 to 4

7 to 8

Pos. 3

9 to 10

11 to 12

## Liste des pièces DXH2000TS

RÉF. #.....ITEM#.....DESCRIPTION	RÉF. #.....ITEM#.....DESCRIPTION
1.....N/A.....COUVERCLE, HAUT, COQUE, EXTÉRIEUR	21.....41092.....SUPPORT, COMMUTATEUR, VENTILATEUR, REFRROID.
2.....N/A.....PANNEAU, AVANT	22.....N/A.....SUPPORT, MONTAGE SUR CÂBLE
3.....N/A.....PANNEAU, ARRIÈRE	23.....N/A.....SUPPORT, BORNIER, CÂBLAGE
4.....N/A.....ÉCRAN, RADIATION, TUBE	24.....41051.....PORTE, ACCÈS
5.....N/A.....BASE, PLAQUE	25.....41064.....GARDE, GRILLE, AVANT
6.....N/A.....PANNEAU, LATÉRAL, GAUCHE	26.....41029.....SUPPORT, ÉLÉMENT CHAUFFANT
7.....N/A.....PANNEAU, LATÉRAL, DROIT	27.....41030.....PIED, CAOUTCHOUC
8.....N/A.....SUPPORT, MONTAGE, MOTEUR	28.....41031.....CLIP, SONDE, TUBE CAPILLAIRE
9.....41080.....SUPPORT, COMMUTATEUR, LIMITE ÉLEVÉE	29.....41067.....MOTEUR, VENTILATEUR
10.....N/A.....SUPPORT, CONTACTEUR, ÉLÉMENT, CHAUFFANT	30.....41094.....BORNIER, CÂBLAGE
11.....41082.....GARDE, GRILLE, ARRIÈRE	31.....41070.....CONDENSATEUR, MOTEUR, DÉMARREUR
12.....41083.....PALE, VENTILATEUR	32.....41032.....COMMUTATEUR, LIMITE ÉLEVÉE, 77 °C
13.....41084.....ÉLÉMENT, CHAUFFANT	33.....41053.....CIRCUIT IMPRIMÉ, CHALEUR ACTIVÉE, L'INDICATEUR
14.....41085.....PANNEAU, CONTRÔLE, PLASTIQUE	34.....41095.....POIGNÉE, TRANSPORT
15.....41086.....CONTACTEUR, ÉLÉMENT, CHAUFFANT	35.....41027.....CONTROL, TERMOSTÁTICO, PLÁSTICO
16.....41087.....COMMUTATEUR, PRINCIPAL, 4, POSITION	36.....41034.....BOUTON, THERMOSTAT, PLASTIQUE
17.....41088.....COMMUTATEUR, VENTILATEUR, REFRROID., 37 °C	37.....41036.....BAGUE, PLASTIQUE, CÂBLE
18.....41089.....INDICATEUR, VENTILATEUR EN MARCHÉ	38.....41096.....BAGUE, PLASTIQUE, CÂBLE
19.....41090.....DISJONCTEUR, CIRCUIT, 30 AMPÈRES	39.....41081.....ENSEMBLE ÉCRAN AVANT
20.....41091.....BAGUE, TENSION, RÉDUCTEUR	40.....41100.....RAYONNEMENT TUBE DE PROTECTION AVEC SUPPORTS

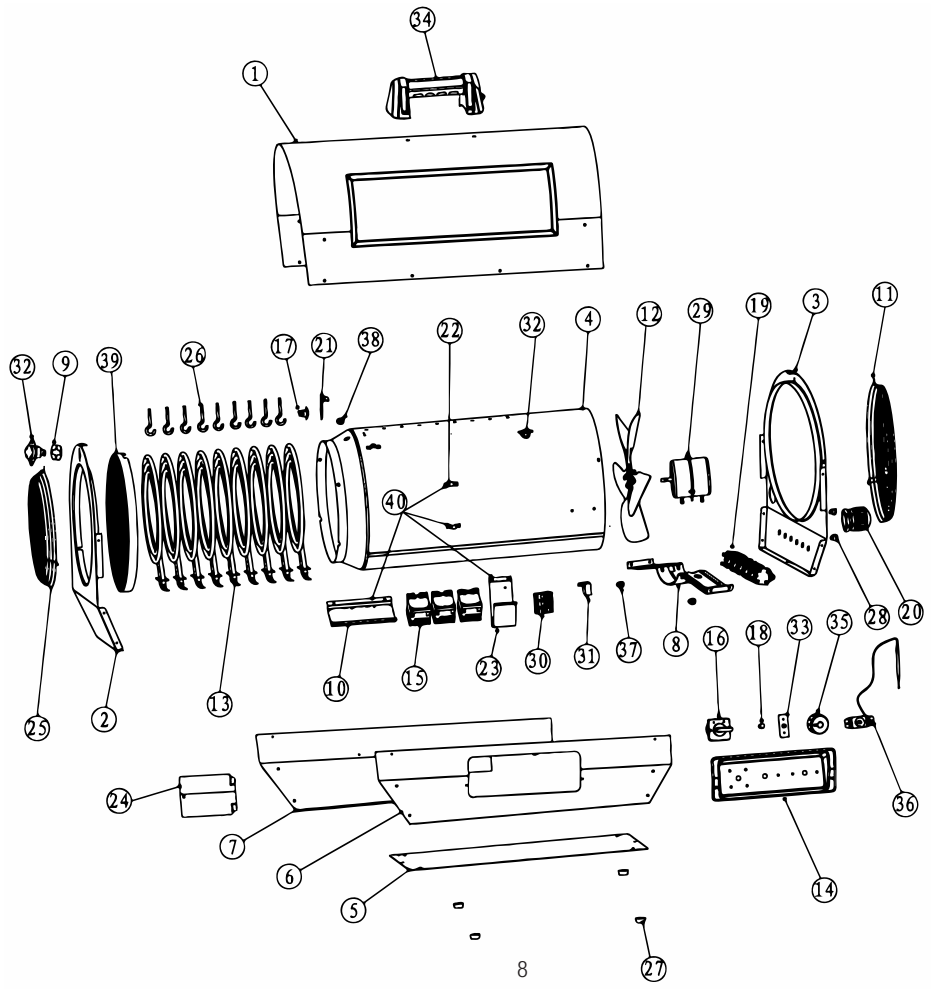
### ▲ AVERTISSEMENT :

N'utilisez que les pièces de remplacement du fabricant. L'utilisation d'autres pièces risque de causer des blessures ou la mort. Les pièces de remplacement ne sont offertes que par le fabricant et doivent être installées par une entreprise de service spécialisée..

### Pour l'entretien

Veillez appeler sans frais le 855-805-5745 [www.dewalt.com](http://www.dewalt.com)  
 Nos heures de bureau sont de 8 h 00 à 17 h, fuseau horaire de l'est, du lundi au vendredi.  
 Veillez inclure le numéro du modèle, la date d'achat et la description du problème lors de toute communication.

***DXH2000TS***



## Liste des pièces DXH2003TS

RÉF. #.....ITEM#.....DESCRIPTION	RÉF. #.....ITEM#.....DESCRIPTION
1.....N/A.....COUVERCLE, HAUT, COQUE, EXTÉRIEUR	20.....41092.....SUPPORT, COMMUTATUR, VENTILATEUR, REFFROID.
2.....N/A.....PANNEAU, AVANT	21.....N/A.....SUPPORT, MONTAGE DE CâBLES
3.....N/A.....PANNEAU, ARRIÈRE	22.....N/A.....SUPPORT, BORNIER, CâBLAGE
4.....N/A.....ÉCRAN, RADIATION, TUBE	23.....41051.....PORTE, ACCÈS
5.....N/A.....BASE, PLAQUE	24.....41064.....GARDE, GRILLE, AVANT
6.....N/A.....PANNEAU, LATÉRAL, GAUCHE	25.....41029.....SUPPORT, ÉLÉMENT CHAUFFANT
7.....N/A.....PANNEAU, LATÉRAL, DROIT	26.....41030.....PIED, CAOUTCHOUC
8.....N/A.....SUPPORT, MONTAGE, MOTEUR	27.....41031.....CLIP, SONDE, TUBE CAPILLAIRE
9.....41080.....SUPPORT, COMMUTEUR, LIMITE ÉLEVÉE	28.....41067.....MOTEUR, VENTILATEUR
10.....N/A.....SUPPORT, CONTACTEUR, ÉLÉMENT, CHAUFFANT	29.....41101.....BORNIER, CâBLAGE
11.....41082.....GARDE, GRILLE, ARRIÈRE	30.....41070.....CONDENSATEUR, MOTEUR, DÉMARREUR
12.....41083.....PALE, VENTILATEUR	31.....41032.....COMMUTATEUR, LIMITE ÉLEVÉE, 77 °C
13.....41084.....ÉLÉMENT, CHAUFFANT	32.....41053.....CIRCUIT IMPRIMÉ, CHALEUR ACTIVÉE, INDICATEUR
14.....41085.....PANNEAU, CONTRÔLE, PLASTIQUE	33.....41095.....POIGNÉE, TRANSPORT
15.....41086.....CONTACTEUR, ÉLÉMENT, CHAUFFANT	34.....41027.....BOUTON, THERMOSTAT, PLASTIQUE
16.....41087.....COMMUTATEUR, PRINCIPAL, 4, POSITION	35.....41034.....THERMOSTAT, TEMPÉRATURE, AMBIANTE
17.....41088.....COMMUTATEUR, VENTILATEUR, REFFROID., 37 °C	36.....41036.....BAGUE, PLASTIQUE, CâBLE
18.....41089.....INDICATEUR, VENTILATEUR EN MARCHE	37.....41096.....BAGUE, PLASTIQUE, CâBLE
19.....41091.....BAGUE, TENSION, RÉDUCTEUR	38.....41081.....ENSEMBLE ÉCRAN AVANT
	39.....41100.....RAYONNEMENT TUBE DE PROTECTION AVEC SUPPORTS

### **▲ AVERTISSEMENT :**

N'utilisez que les pièces de remplacement du fabricant. L'utilisation d'autres pièces risque de causer des blessures ou la mort. Les pièces de remplacement ne sont offertes que par le fabricant et doivent être installées par une entreprise de service spécialisée..

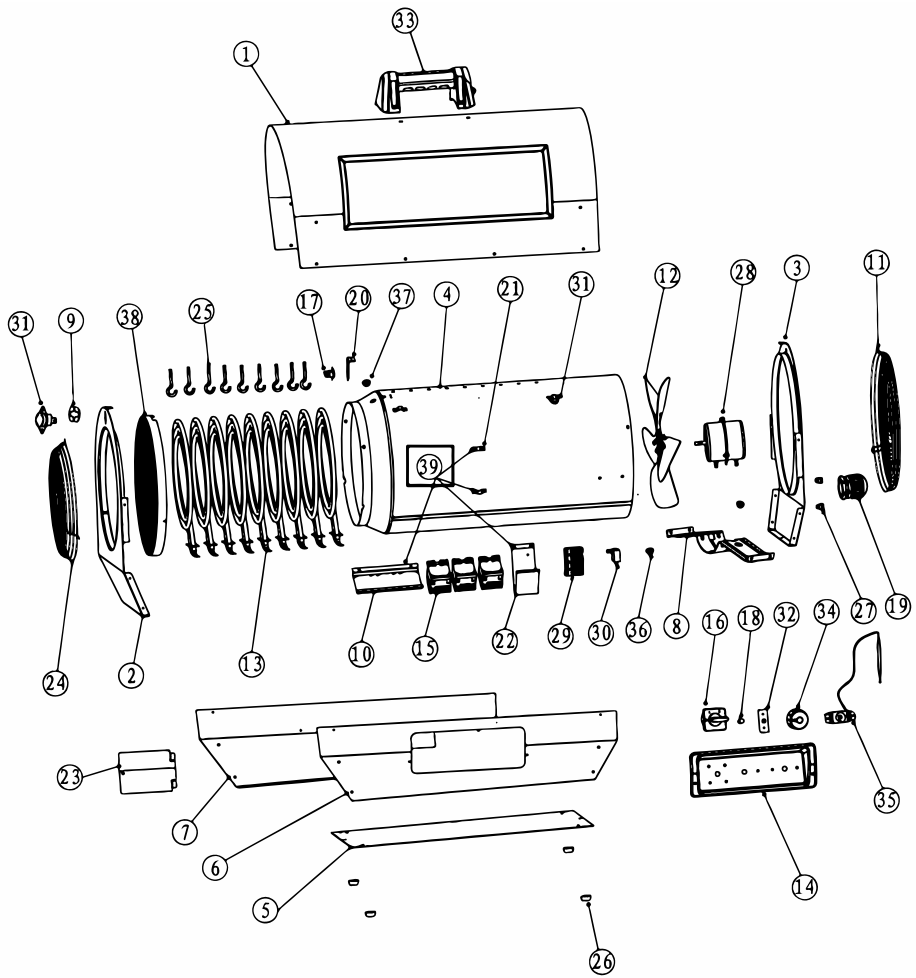
### **Pour l'entretien**

Veillez appeler sans frais le 855-805-5745 [www.dewalt.com](http://www.dewalt.com)

Nos heures de bureau sont de 8 h 00 à 17 h, fuseau horaire de l'est, du lundi au vendredi.

Veillez inclure le numéro du modèle, la date d'achat et la description du problème lors de toute communication.

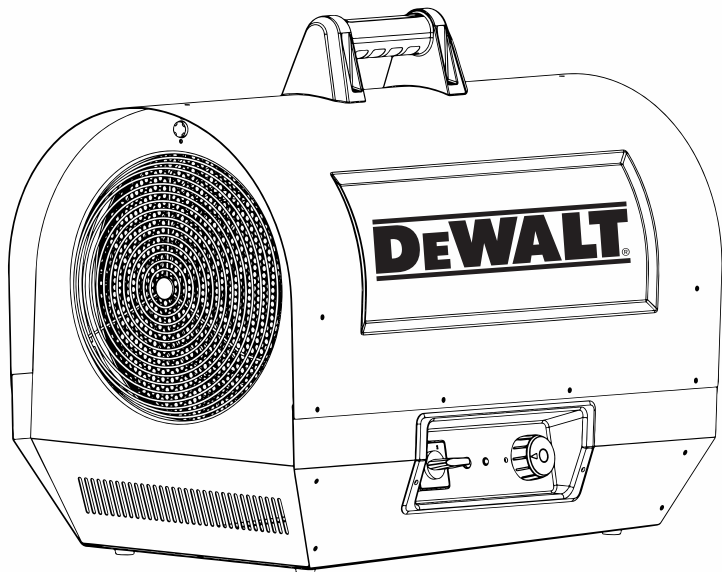
***DXH2003TS***



# DEWALT®

## MANUEL D'INSTRUCTIONS

### Appareil de chauffage à air forcé électrique modèles DXH2000TS, DXH2003TS



## AVERTISSEMENT :

N'utilisez que les pièces de remplacement du fabricant. L'utilisation d'autres pièces risque de causer des blessures et la mort. Les pièces de remplacement ne sont offertes que directement de l'usine et doivent être installées par une entreprise de service spécialisée.

## INFORMATION SUR LA COMMANDE DES PIÈCES :

**ACHAT :** Les accessoires peuvent être achetés chez n'importe quel revendeur local DeWalt® ou directement à l'usine.

## POUR OBTENIR DES INFORMATIONS SUR LE SERVICE :

Appelez sans frais au 855-805-5745

[www.dewalt.com](http://www.dewalt.com)

Nos heures de bureau sont de 8 h 00 à 17 h, HE, du lundi au vendredi.

Veillez indiquer le numéro du modèle, la date d'achat et la description du problème dans toutes vos communications.

## GARANTIE LIMITÉE :

DeWalt® garantit ses appareils de chauffages et ses accessoires contre les défauts de matériel et de main-d'œuvre pour une période d'un an à partir de la date d'achat. DeWalt® réparera ou remplacera ce produit sans frais s'il est démontré qu'il est devenu défectueux pendant la période d'un (1) an et qu'il est retourné à DeWalt® aux frais de l'acheteur avec une preuve d'achat, au cours de la période de garantie.

DEWALT®, GUARANTEED TOUGH® et les schémas de couleurs jaune et noir sont des marques de commerce de DEWALT Industrial Tool Co., utilisées sous licence. ©2013 DEWALT. EGI/Enerco Group Inc. sous licence de Dewalt Industrial Tool Co.



CSA C22.2#46-2013

U.L. 2021



*If you have questions or comments, contact us.  
Si vous avez des questions ou commentaires, veuillez nous contacter. Llámenos si tiene alguna pregunta o comentario.*

**855-805-5745 • [www.dewalt.com](http://www.dewalt.com)**

**INSTRUCTION MANUAL  
MANUEL D'INSTRUCTIONS  
MANUAL DE INSTRUCCIONES**

**DEWALT**®

**Electric Forced Air Heater DXH2000TS and DXH2003TS  
Appareil de chauffage à air forcé électrique modèles DXH2000TS et DXH2003TS  
Calentador eléctrico a aire forzado DXH2000TS y DXH2003TS**

2017- 41002 - CB

**READ INSTRUCTIONS CAREFULLY:** Read and follow all instructions. Place instructions in a safe place for future reference. Do not allow anyone who has not read these instructions to assemble, adjust or operate the heater.

**VEUILLEZ LIRE ATTENTIVEMENT LES INSTRUCTIONS :** Lisez et observez toutes les instructions. Conservez ces instructions dans un endroit sécuritaire pour vous y référer ultérieurement. Interdisez à quiconque n'ayant pas lu les présentes instructions d'assembler, d'ajuster ou de faire fonctionner l'appareil de chauffage.

**LEA CUIDADOSAMENTE LAS INSTRUCCIONES:** Lea y siga todas las instrucciones. Conserve estas instrucciones en un lugar seguro para futura referencia. No permita que nadie que no haya leído estas instrucciones arme, ajuste o use el calentador.

**Definiciones: Indicaciones de seguridad**

Las siguientes definiciones describen el nivel de severidad para cada una de estas señales. Lea el manual y preste atención a estos símbolos.

- ▲ **PELIGRO:** Indica una situación inminente de peligro, la que si no se evita, **causaría heridas graves o la muerte.**
- ▲ **ADVERTENCIA:** Indica una situación potencial de peligro, la que si no se evita, **podría causar heridas graves o la muerte.**
- ▲ **CUIDADO:** Indica una situación potencial de peligro, la que si no se evita, **podría resultar en heridas menores o moderadas.**
- AVISO:** Indica una práctica no relacionada con heridas personales que, si no se evita, **podría causar daños materiales.**

**▲ADVERTENCIA: NO USE ESTE CALENTADOR HASTA HABER LEÍDO Y COMPRENDIDO ESTE MANUAL DE INSTRUCCIONES DE SEGURIDAD, OPERACIÓN Y MANTENIMIENTO.**

▲**CUIDADO:** Emplear este calentador de cualquier forma que no sea la descrita en este manual puede provocar incendios, descargas eléctricas, lesiones y/o daños materiales.

▲**CUIDADO:** Este calentador se calienta al usarlo. Para evitar quemaduras, no toque las superficies calientes con la piel. Mantenga los materiales combustibles, como muebles, almohadones, sábanas, papeles, ropa y cortinas por lo menos a 1,8 m (6 pies) del frente del calefactor y al menos a 6 m (20 pies) de distancia de los costados y de la parte de atrás.

▲**CUIDADO:** Para evitar que el calentador funcione cuando no lo desee, desconéctelo siempre de la fuente de alimentación cuando no lo esté utilizando.

▲**CUIDADO:** No cubra los cables de alimentación ni los haga pasar por debajo de alfombras ni tapetes. Coloque el cable y las conexiones lejos de las áreas de circulación, de manera tal que no se transformen en un riesgo de tropezones.

▲**CUIDADO:** Conecte la unidad únicamente a tomacorrientes correctamente conectados a tierra y a sistemas eléctricos del tamaño adecuado y con la adecuada conexión a tierra.

▲**CUIDADO:** No utilice esta unidad con conexiones ni cables no recomendados o de tamaño inadecuado. Pueden recalentarse y provocar un riesgo de incendio.

▲**ADVERTENCIA:** No utilice el calentador si la unidad, el toma o el cable presentan síntomas visibles de avería o si la unidad ha sufrido desperfectos. Contacte a un electricista acreditado antes de volver a usar el equipo.

▲**ADVERTENCIA:** No exponga la unidad a la humedad; está diseñada únicamente para uso en interiores.

▲**ADVERTENCIA:** El calentador no está diseñado para usarse en áreas interiores donde haya riesgo de que se moje. Evite usarlo en baños, cuartos de lavado y en cualquier otra área donde pueda entrar en contacto con el agua.

▲**ADVERTENCIA:** No inserte ni permita que ningún objeto extraño se introduzca en la unidad a través de los conductos de entrada y salida de ventilación. No respetar estas advertencias puede causar descargas eléctricas, incendios, o dañar la unidad.

▲**ADVERTENCIA:** Para evitar incendios, mantenga desbloqueados los conductos de entrada y salida de ventilación.

▲**ADVERTENCIA:** La unidad está equipada con componentes eléctricos internos activos que chisporrotean cuando están funcionando. No la emplee en áreas donde pueda haber vapores de gasolina, pintura ni otros líquidos inflamables.

▲**ADVERTENCIA:** Debe ponerse mucho cuidado cuando el calentador sea utilizado por niños o inválidos o cerca de estos, y siempre que se deje prendido y desatendido.

**CONSERVE ESTAS INSTRUCCIONES.**

## Armado

- Saque el calentador y todos los materiales de embalaje de la caja.
- Revise todo el material de embalaje para detectar si quedó en él alguna parte suelta y luego póngalo a un lado.
- Retire y conserve los cuatro tornillos de montaje del asa que están atornillados a la cubierta superior.
- Revise bien que el calentador no esté dañado. Si encuentra algún daño, no se ponga en contacto con el lugar donde lo compró. Llame al Fabricante al 855-805-5745.
- Utilice los cuatro tornillos de montaje del asa para atornillar el asa a la parte superior del calentador.

Nota: No ajuste demasiado los tornillos porque podría romper el asa.

*El asa está suelta en la caja, tenga cuidado de no tirarla.*

## Información operacional

Los calentadores eléctricos a aire forzado DeWalt están diseñados para ser utilizados por profesionales.

El calor se genera mediante circulación de corriente eléctrica a través de bobinas metálicas, que hace que se calienten hasta temperaturas muy altas. A continuación, el ventilador hace circular aire por las bobinas calientes intercambiando aire frío por aire caliente.

El aire que circula por las bobinas evita que alcancen temperaturas que no serían seguras para el funcionamiento normal del calentador. Sin embargo, es importante mantener a una distancia prudencial todos los materiales combustibles y cualquier objeto que pueda ser succionado por las aspas del ventilador (consulte la tabla que aparece en la página siguiente para conocer las distancias adecuadas). Asegúrese de que nada bloquee las aspas del ventilador en ningún momento.

Mantenga la unidad limpia y despolvada. No bloquee nunca los conductos de entrada y salida de aire.

## Funcionamiento

Lea y comprenda todas las advertencias que aparecen en este manual. Siga todas las normas locales. Estos calentadores están diseñados para usarse únicamente con 240 V de CA.

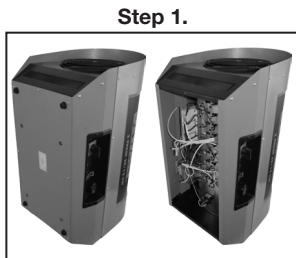
*Este calentador debe ser conectado por un electricista certificado.*

## ÍNDICE

ADVERTENCIAS.....	2
ARMADO.....	3-4
FUNCIONAMIENTO.....	5-6
ESPECIFICACIONES.....	5
DISTANCIAS.....	5
MANTENIMIENTO.....	5
DIAGNÓSTICO DE FALLAS.....	6
DIAGRAMAS DE CABLEADO.....	7
LISTA DE PARTES/DIAGRAMAS EXTENDIDOS.....	8-11
GARANTÍA.....	12
INFORMACIÓN PARA ORDENAR PARTES.....	12

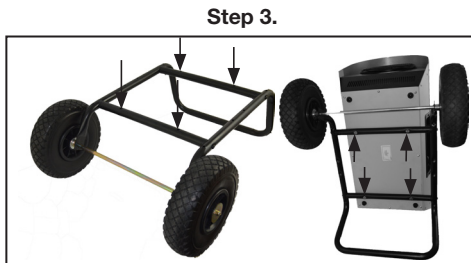
# ENSAMBLAJE KIT DE RUEDA

CONTENIDOS			
REF#	ARTÍCULO#	DESCRIPCIÓN DEL ARTÍCULO	QTY
1	40857	Ensamble de Manija	1
2	21875	Montaje del Carro	1
3	21897	Asamblea Axle	1
4	40859	Asamblea Ruedas	2
5	41076	Plato Base	1
6	28787	Kit de Hardware	1
Kit de Hardware Incluye	Tornillo , con Tuercas	4	
	Rueda Spacer	2	
	Tapacubos	2	
	Arandela Grande	2	
	Pasador de Chaveta	2	
Pernos de la Placa de Base	4		
Herramientas requeridas	-Destornillador Phillips -La llave de socket		
Después de juego de ruedas completo desensamble, inspeccione las piezas dañadas o faltantes. Si no estuviera dañado o piezas que faltan contáctese con 1-800-805-5745			



**Step 1.**

Retire el panel inferior el calentador y reutilizar mismos tornillos para instalar la placa base que se proporciona en el kit.



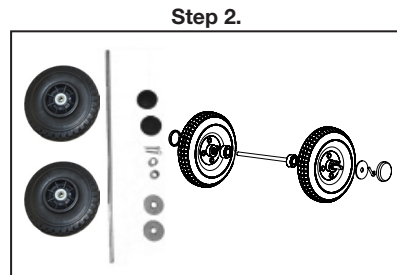
**Step 3.**

Ajuste el calentador en la parte superior del carro de guarnición de los cuatro orificios de los pernos roscados con los cuatro agujeros en el carro. Coloque el calentador para el transporte mediante el uso de los cuatro pernos suministrados en el kit de hardware

## PARA CUALESQUIERA PREGUNTAS:

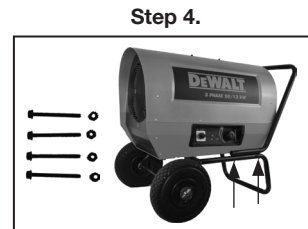
Por favor llame al teléfono gratuito 1-855-805-5745

Por favor, incluya el número de modelo, fecha de compra y descripción del problema en todas las comunicaciones.



**Step 2.**

Instalar el axle y ruedas para el transporte.



**Step 4.**

Una el asa para el transporte utilizando los cuatro tornillos y tuercas incluidos en el kit de hardware.

## Instrucciones de encendido, tras la conexión profesional del calentador

1. Coloque el calentador en una superficie plana y estable. Asegúrese de respetar las recomendaciones de separación con respecto a materiales combustibles (ver tabla en esta página).
2. Gire el termostato en sentido contra horario hasta el valor mínimo.
3. Mueva el selector de 4 posiciones desde la posición de apagado a la posición del ventilador para hacer funcionar el ventilador solamente.
4. Mueva el selector a la posición de 13kW para funcionamiento a potencia parcial. Para funcionar a potencia parcial, el DXH2000TS necesita una entrada de 240 V de CA/54A, lo cual requiere el uso de una llave térmica bipolar de 60A. Para funcionar a potencia parcial, el DXH2003TS necesita una entrada de 240 V de CA/33A, lo cual requiere el uso de una llave térmica tripolar de 40A.
5. Gire el control del termostato en sentido horario hasta alcanzar el valor de temperatura deseado.
6. Mueva el selector a la posición de 20KW para funcionamiento a plena potencia. Para funcionar a plena potencia, el DXH2000TS necesita una entrada de 240 V de CA/81A, lo cual requiere el uso de una llave térmica bipolar de 100A. Para funcionar a plena potencia, el DXH2003TS necesita una entrada de 240 V de CA/50A, lo cual requiere el uso de una llave térmica tripolar de 60A.
7. El elemento calefactor y el ventilador permanecerán encendidos hasta que se alcance el valor de temperatura seleccionado. El elemento calefactor se apagará según sea necesario. El ventilador permanecerá encendido mientras el interruptor de control esté en la posición de encendido.

## Para apagar el calentador

Para enfriar el calentador, gire el selector de 4 posiciones a la posición del ventilador. Cuando la unidad esté fría, mueva el selector a la posición de apagado.

**NOTA:** Este calentador está equipado con un interruptor de límite de recalentamiento que puede hacer que el calentador se detenga. Este estado se indica mediante una alarma visual cuando el interruptor de encendido está en la posición de encendido y todas las luces están apagadas. (Fig 1) Revise y elimine la causa del recalentamiento antes de volver a encender el calentador. Puede demorar hasta 15 minutos en enfriarse antes de volver a encenderse.

## Mantenimiento

### ⚠ ADVERTENCIA:

Nunca intente darle mantenimiento al calentador mientras esté caliente, funcionando o conectado a la corriente. Estas unidades deben recibir mantenimiento únicamente por parte de técnicos de servicio calificados.

- Revise exhaustivamente la unidad antes de utilizarla.
- Mantenga el calentador limpio y sin polvo ni basura.
- Se puede utilizar un compresor de aire para sacar el polvo de la cubierta del calentador. Asegúrese de emplear una presión de aire moderada para no dañar ningún componente interno.
- Para limpiar la cubierta externa y el asa debe emplearse un paño suave y seco.
- El motor del ventilador está sellado y no necesita lubricación.

## Especificaciones

Modelo:	DXH2000	DXH2003P
Salida de calor BTU/WATTS	44357/13kW - 68242/20kW	44357/13KW - 68242/20kW
Cable de alimentacion	Min. 6/3 AWG para 3 m o menos	8/4 AWG para 3 m o menos
Flujo de aire	725 pies <sup>3</sup> /min	725 pies <sup>3</sup> /min
Alimentación	240 V CA	240 V CA
Mín. llave térmica necesaria	60A/2 polos/Bajo - 100A/2 Polos/Alto	40A/3 Polos/Bajo - 60A/3 Polos/Alto
Corriente	54/81 A	33/50 A
Termostato	-5 C - 35 C	-5 C - 35 C
Dimensiones: (LxAxAl)	68,6 x 38,1 x 45,7 cm	68,6 x 38,1 x 45,7 cm
Peso	22,2 Kg	22,2 Kg

## Distancia a combustibles

Salida	1,8 m
Parte trasera	0,6 m
Parte superior	0,6 m
Parte inferior	Piso no combustible



La luz indicadora del ventilador se enciende cuando el ventilador de circulación está funcionando.

FIG. 1

Nota: Su calentador está equipado con funcionalidades de enfriamiento y calentamiento automáticas.

#### ENFRIAMIENTO AUTOMÁTICO.

Cuando el calentador está funcionando y se gira el selector hasta la posición de apagado, automáticamente el calentador mantendrá el ventilador funcionando hasta que el calentador se enfríe. Luego se apagará el ventilador.

#### CALENTAMIENTO AUTOMÁTICO.

Cuando el calentador se almacena o se enciende en condiciones muy frías y se selecciona un modo de calefacción, el elemento calefactor se encenderá y calentará la unidad antes de que el ventilador comience a soplar aire caliente.

**⚠ADVERTENCIA: USE SOLAMENTE PARTES DE REPUESTO DEL FABRICANTE. EL USO DE CUALQUIER OTRA PARTE PODRÍA CAUSAR HERIDAS O LA MUERTE. LAS PARTES DE REPUESTO ESTÁN DISPONIBLES ÚNICAMENTE EN LA FÁBRICA Y DEBEN SER INSTALADAS POR UNA AGENCIA DE SERVICIO CALIFICADA.**

## Almacenamiento

Cuando no se esté usando, el calentador debe desconectarse de la fuente de alimentación, desempolvarse, y el cable debe enrollarse en el asa sin apretarlo.

#### Para obtener servicio:

Llame sin cargo al 855-805-5745, [www.dewalt.com](http://www.dewalt.com)

Nuestro horario de trabajo es de 8:00 AM a 5:00 PM, de lunes a viernes, hora de este.

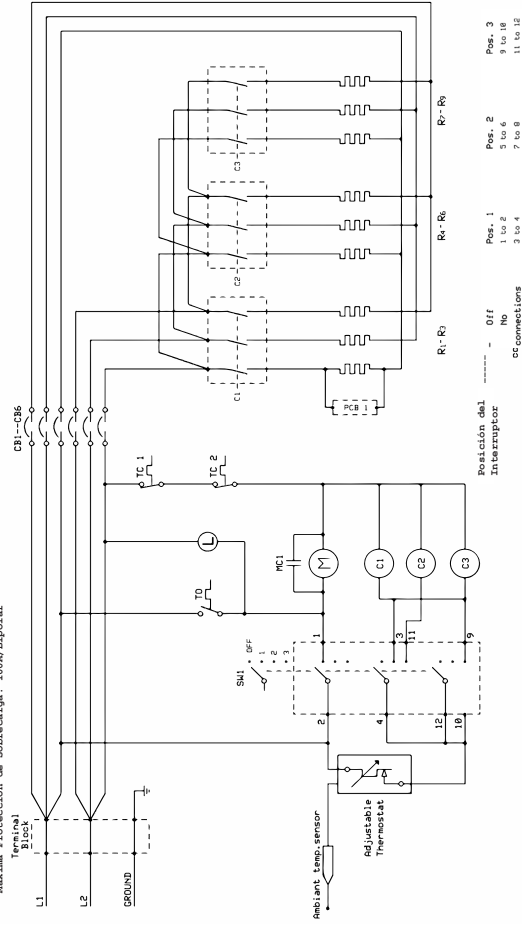
Por favor, incluya el número de modelo, la fecha de compra y la descripción del problema en todas sus comunicaciones.

## Diagnóstico de fallas

La unidad no funciona	<ul style="list-style-type: none"> <li>• Termostato dañado o configuración incorrecta del termostato</li> <li>• Fusible o llave térmica abierta</li> <li>• Se ha disparado el interruptor de recarga térmica</li> <li>• Conexión defectuosa</li> <li>• Toma o tomacorrientes dañados o defectuosos</li> </ul>
La unidad funciona constantemente	<ul style="list-style-type: none"> <li>• Termostato dañado o configuración incorrecta del termostato</li> <li>• Las pérdidas de calor superan la capacidad de la unidad (unidad insuficiente)</li> </ul>
Los elementos están encendidos pero el motor no gira	<ul style="list-style-type: none"> <li>• Motor defectuoso</li> <li>• Aspas del ventilador bloqueadas</li> </ul>
El gabinete está extremadamente caliente	<ul style="list-style-type: none"> <li>• Protección térmica defectuosa</li> <li>• Conductos de aire bloqueados</li> <li>• Motor defectuoso</li> </ul>
No se puede alcanzar la temperatura deseada	<ul style="list-style-type: none"> <li>• Hay uno o más elementos defectuosos</li> <li>• Termostato dañado o configuración incorrecta del termostato</li> <li>• El voltaje es inferior al que aparece escrito en la etiqueta</li> <li>• Las pérdidas de calor superan la capacidad de la unidad (unidad insuficiente)</li> </ul>
Recalentamiento	<ul style="list-style-type: none"> <li>• Termostato dañado o configuración incorrecta del termostato</li> <li>• Motor defectuoso</li> </ul>
El calentador emite un zumbido	<ul style="list-style-type: none"> <li>• Motor defectuoso</li> <li>• Aspas del ventilador bloqueadas</li> </ul>

## DIAGRAMA DE CABLEADO DEL MODELO DXH2000TS

Máxima Protección de Sobreenergía, 100V/Bipolar



SM1 = Interruptor de encendido (De 4 posiciones)

C1 - C3 = Contactores y bobinas del motor

TC 1 = Interruptor norm. cerrado de límite superior 77°C

TC 2 = Interruptor norm. cerrado de límite superior 77°C

TO = Interruptor norm. abierto del vent./enfriam. 37°C

RL - R9 = Elementos calefactores

PCM = Indicador LED de calefacción encendida impreso en la placa del circuito

M = Motor del ventilador

L = Lámpara indicadora de ventilador encendido

C81 - C86 = Llaves termicas de la 1 a la 6 (30 amp)

M21 = Capacitor del motor

Posición del Interruptor: --- Diff No connections

Pos. 1: 1 to 2, 3 to 4

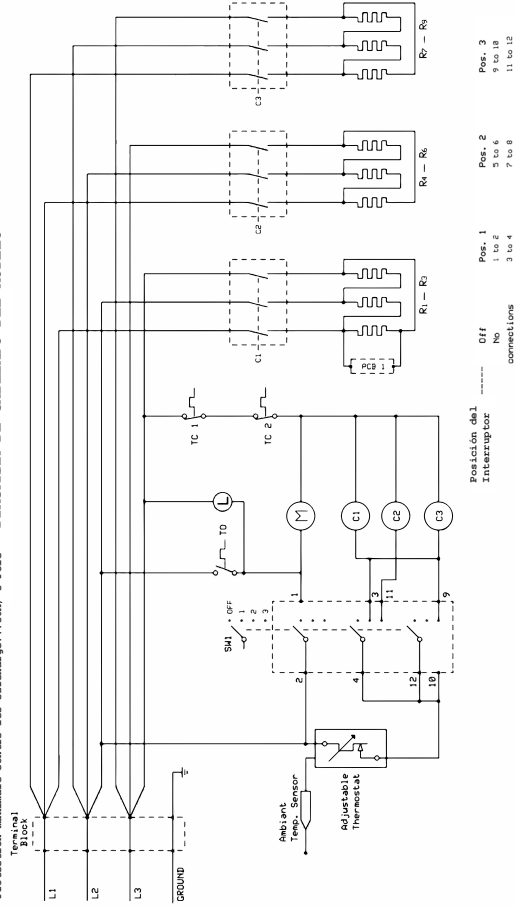
Pos. 2: 5 to 6, 7 to 8

Pos. 3: 9 to 10, 11 to 12

## Diagramas de cableado

## Proteccion maximele contra los surchorage...50M/ 3 Pole

## DIAGRAMA DE CABLEADO DEL MODELO DXH2003TS



SM1 = Interruptor de encendido (De 4 posiciones)

C1 - C3 = Contactores y bobinas del motor

TC 1 = Interruptor norm. cerrado de límite superior 77°C

TC 2 = Interruptor norm. cerrado de límite superior 77°C

TO = Interruptor norm. abierto del vent./enfriam. 37°C

M21 = Capacitor del motor

RL - R9 = Elementos calefactores

PCM = Indicador LED de calefacción encendida impreso en la placa del circuito

M = Motor del ventilador

L = Lámpara indicadora de ventilador encendido

C81 - C86 = Llaves termicas de la 1 a la 6 (30 amp)

M21 = Capacitor del motor

Posición del Interruptor: --- Diff No connections

Pos. 1: 1 to 2, 3 to 4

Pos. 2: 5 to 6, 7 to 8

Pos. 3: 9 to 10, 11 to 12

## Lista de partes DXH2000TS

REF .....	ARTÍCULO .....	DESCRIPCIÓN	REF .....	ARTÍCULO .....	DESCRIPCIÓN
1.....	N/A .....	CUBIERTA, SUPERIOR, EXTERNA	21.....	41092 .....	SOPORTE, INTERRUPTOR, VENTILADOR, ENFRIAMIENTO
2.....	N/A .....	PANEL, FRONTAL	22.....	N/A .....	SOPORTE, MONTAJE DE CABLES
3.....	N/A .....	PANEL, TRASERO	23.....	N/A .....	SOPORTE, BLOQUE, TERMINAL, CABLEADO
4.....	N/A .....	PANTALLA, RADIACIÓN, TUBO	24.....	41051 .....	PUERTA, ACCESO
5.....	N/A .....	BASE, PLACA	25.....	41064 .....	PROTECTOR, REJILLA, FRONTAL
6.....	N/A .....	PANEL, LATERAL, IZQUIERDO	26.....	41029 .....	SOPORTE, ELEMENTO CALEFACTOR
7.....	N/A .....	PANEL, LATERAL, DERECHO	27.....	41030 .....	PATA, GOMA
8.....	N/A .....	SOPORTE, MONTAJE, MOTOR	28.....	41031 .....	PINZA, SENSOR, TUBO CAPILAR
9.....	41080 .....	SOPORTE, INTERRUPTOR, LÍMITE SUPERIOR	29.....	41067 .....	MOTOR, VENTILADOR
10.....	N/A .....	SOPORTE, CONTACTOR, ELEMENTO CALEF.	30.....	41094 .....	BLOQUE, TERMINAL, CABLEADO
11.....	41082 .....	PROTECTOR, REJILLA, TRASERA	31.....	41070 .....	CAPACITOR, MOTOR, ARRANCADOR
12.....	41083 .....	ASPA, VENTILADOR	32.....	41032 .....	INTERRUPTOR, LÍMITE SUPERIOR, 77 °C
13.....	41084 .....	ELEMENTO, CALEFACTOR	33.....	41053 .....	PLACA, CIRCUITO, CALE. ENCEND., INDICADOR
14.....	41085 .....	PANEL, CONTROL, PLÁSTICO	34.....	41095 .....	ASA, TRANSPORTE
15.....	41086 .....	CONTACTOR, ELEMENTO, CALEFACTOR	35.....	41027 .....	CONTROL, TERMOSTÁTICO, PLÁSTICO
16.....	41087 .....	INTERRUPTOR, PRINCIPAL, 4, POSICIONES	36.....	41034 .....	TERMOSTATO, TEMPERATURA, AMBIENTE
17.....	41088 .....	INTERRUPTOR, VENTILADOR, ENFRIAMIENTO, 37 °C	37.....	41036 .....	CASQUILLO, PLÁSTICO, CABLE
18.....	41089 .....	INDICADOR, VENTILADOR ENCENDIDO	38.....	41096 .....	CASQUILLO, PLÁSTICO, CABLE
19.....	41090 .....	LLAVE TÉRMICA, CIRCUITO, 30AMP	39.....	41081 .....	ASAMBLEA DE PANTALLA FRONTAL
20.....	41091 .....	CASQUILLO, PRENSACABLES	40.....	41100 .....	RADIACIÓN TUBO SHIELD CON SOPORTES

### ▲ ADVERTENCIA:

Use solamente partes de repuesto del fabricante. El uso de cualquier otra parte podría causar heridas o la muerte. Las partes de repuesto están disponibles únicamente en la fábrica y deben ser instaladas por una agencia de servicio calificada.

### Para obtener servicio

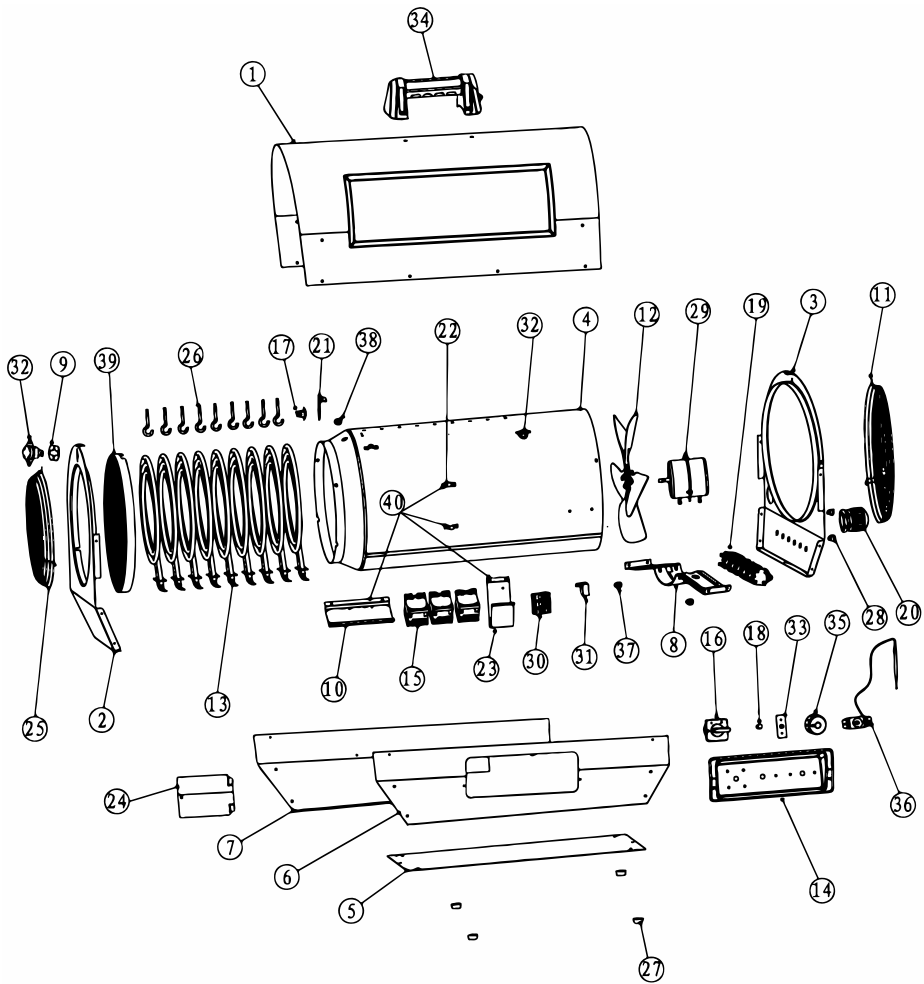
Llame sin cargo al 855-805-5745, [www.dewalt.com](http://www.dewalt.com)

Nuestro horario de trabajo es de 8:00 AM a 5:00 PM, de lunes a viernes, hora del este.

Por favor, incluya el número de modelo, la fecha de compra y la descripción del problema en todas sus comunicaciones.



***DXH2000TS***



## Lista de partes DXH2003TS

REF .....	ARTÍCULO .....	DESCRIPCIÓN	REF .....	ARTÍCULO .....	DESCRIPCIÓN
1.....	N/A .....	CUBIERTA, SUPERIOR, EXTERNA	20.....	41092 .....	SOPORTE, INTERRUPTOR, VENTILADOR, ENFRIAMIENTO
2.....	N/A .....	PANEL, FRONTAL	21.....	N/A .....	SOPORTE, MONTAJE DE CABLES
3.....	N/A .....	PANEL, TRASERO	22.....	N/A .....	SOPORTE, BLOQUE, TERMINAL, CABLEADO
4.....	N/A .....	PANTALLA, RADIACIÓN, TUBO	23.....	41051 .....	PUERTA, ACCESO
5.....	N/A .....	BASE, PLACA	24.....	41064 .....	PROTECTOR, REJILLA, FRONTAL
6.....	N/A .....	PANEL, LATERAL, IZQUIERDO	25.....	41029 .....	SOPORTE, ELEMENTO CALEFACTOR
7.....	N/A .....	PANEL, LATERAL, DERECHO	26.....	41030 .....	PATA, GOMA
8.....	N/A .....	SOPORTE, MONTAJE, MOTOR	27.....	41031 .....	PINZA, SENSOR, TUBO CAPILAR
9.....	41080 .....	SOPORTE, INTERRUPTOR, LÍMITE SUPERIOR	28.....	41067 .....	MOTOR, VENTILADOR
10.....	N/A .....	SOPORTE, CONTACTOR, ELEMENTO, CALEFACTOR	29.....	41101 .....	BLOQUE, TERMINAL, CABLEADO
11.....	41082 .....	PROTECTOR, REJILLA, TRASERO	30.....	41070 .....	CAPACITOR, MOTOR, ARRANCADOR
12.....	41083 .....	ASPA, VENTILADOR	31.....	41032 .....	INTERRUPTOR, LÍMITE SUPERIOR, 77 °C
13.....	41084 .....	ELEMENTO, CALEFACTOR	32.....	41053 .....	PLACA, CIRCUITO, CALEF. ENCEND., INDICADOR
14.....	41085 .....	PANEL, CONTROL, PLÁSTICO	33.....	41095 .....	ASA, TRANSPORTE
15.....	41086 .....	CONTACTOR, ELEMENTO, CALEFACTOR	34.....	41027 .....	CONTROL, TERMOSTATO, PLÁSTICO
16.....	41087 .....	INTERRUPTOR, PRINCIPAL, 4, POSICIONES	35.....	41034 .....	TERMOSTATO, TEMPERATURA, AMBIENTE
17.....	41088 .....	INTERRUPTOR, VENTILADOR, ENFRIAMIENTO, 37 °C	36.....	41036 .....	CASQUILLO, PLÁSTICO, CABLE
18.....	41089 .....	INDICADOR, VENTILADOR ENCENDIDO	37.....	41096 .....	CASQUILLO, PLÁSTICO, CABLE
19.....	41091 .....	CASQUILLO, PRENSACABLES	38.....	41081 .....	ASAMBLEA DE PANTALLA FRONTAL
			39.....	41100 .....	RADIACIÓN TUBO SHIELD CON SOPORTES

### ▲ ADVERTENCIA:

Use solamente partes de repuesto del fabricante. El uso de cualquier otra parte podría causar heridas o la muerte. Las partes de repuesto están disponibles únicamente en la fábrica y deben ser instaladas por una agencia de servicio calificada.

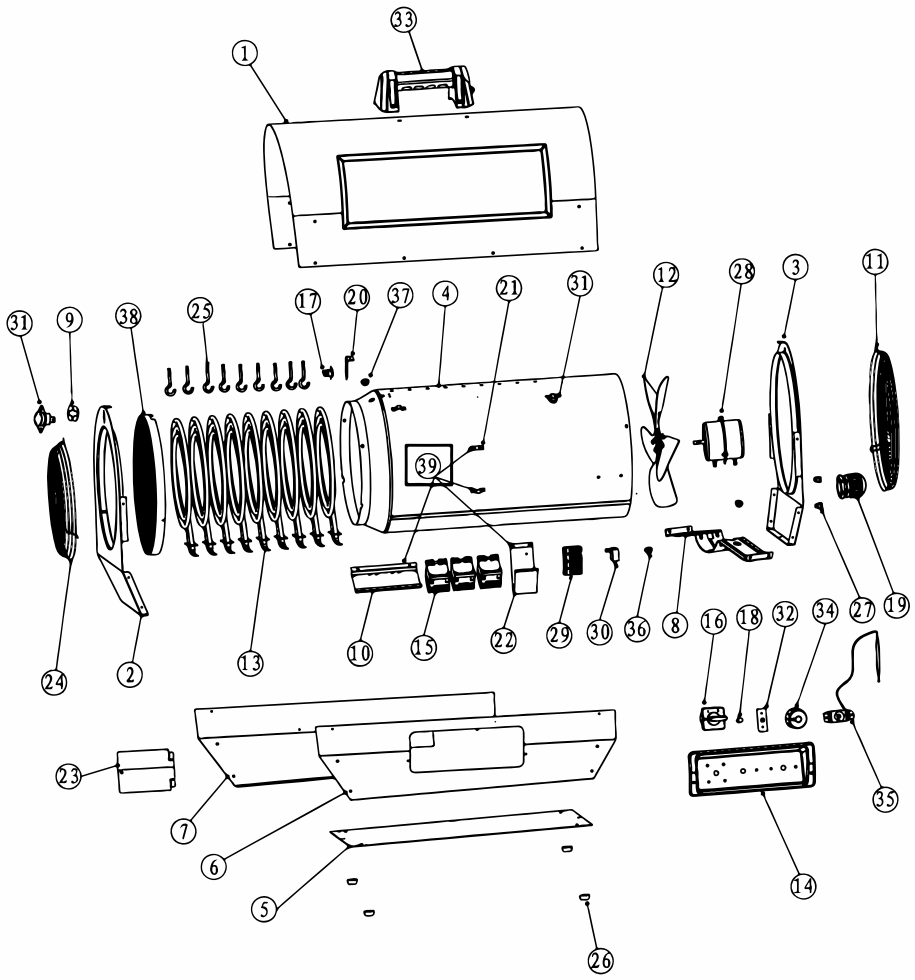
### Para obtener servicio

Llame sin cargo al 855-805-5745, [www.dewalt.com](http://www.dewalt.com)

Nuestro horario de trabajo es de 8:00 AM a 5:00 PM, de lunes a viernes, hora del este.

Por favor, incluya el número de modelo, la fecha de compra y la descripción del problema en todas sus comunicaciones.

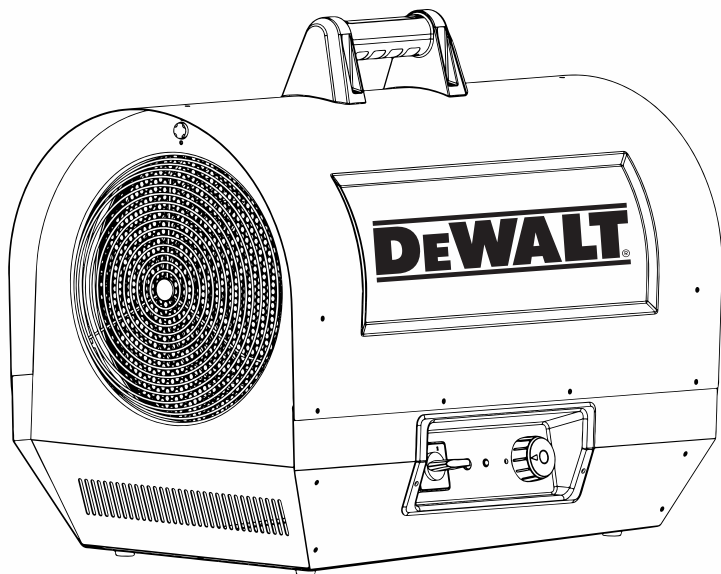
**DXH2003TS**



# DEWALT®

## MANUAL DE INSTRUCCIONES

### Calentador eléctrico a aire forzado DXH2000TS, DXH2003TS



### Advertencia:

Use solamente partes de repuesto del fabricante. El uso de cualquier otra parte podría causar heridas o la muerte. Las partes de repuesto están disponibles únicamente en la fábrica y deben ser instaladas por una agencia de servicio calificada.

### INFORMACIÓN PARA ORDENAR PARTES:

**COMPRAS:** Puede comprar accesorios en cualquier distribuidor local de DeWalt® o directamente de la fábrica

### POR INFORMACIÓN ACERCA DE SERVICIO:

Llame sin cargo al 855-805-5745

[www.dewalt.com](http://www.dewalt.com)

Nuestro horario de trabajo es de 8:00 AM a 5:00 PM, de lunes a viernes, hora del este.

Por favor, incluya el número de modelo, la fecha de compra y la descripción del problema en todas sus comunicaciones.

### GARANTÍA LIMITADA:

DeWalt® garantiza la calidad del material y la fabricación de sus calefactores y accesorios por un período de 1 año a partir de la fecha de compra. DeWalt® reparará o reemplazará este producto sin cargo si se encuentra defectuoso dentro del período de 1 año, luego de retornarlo (por cuenta del cliente) junto con un comprobante de compra a DeWalt® dentro del período de garantía.

DEWALT®, GUARANTEED TOUGH® y la combinación de colores amarillo y negro son marcas registradas de DEWALT Industrial Tool Co., usadas bajo licencia. ©2013 DEWALT. EGI/Enerco Group Inc. bajo licencia de Dewalt Industrial Tool Co.



CSA C22.2#46-2013

U.L. 2021