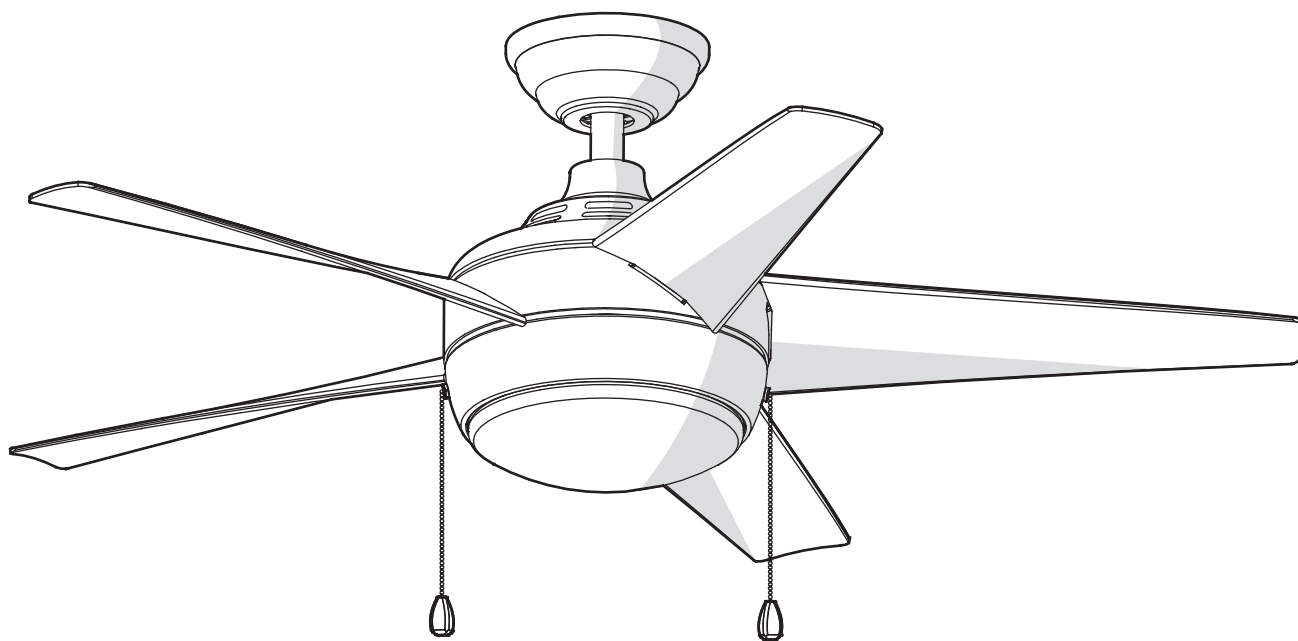


USE AND CARE GUIDE

WINDWARD 44-INCH CEILING FAN



Questions, problems, missing parts? Before returning to the store,
call Home Decorators Collection Customer Service
8 a.m. - 6 p.m., EST, Monday-Friday.

1-800-986-3460

HOMEDEPOT.COM/HOMEDECORATORS

THANK YOU

We appreciate the trust and confidence you have placed in Home Decorators Collection through the purchase of this ceiling fan. We strive to continually create quality products designed to enhance your home. Visit us online to see our full line of products available for your home improvement needs. Thank you for choosing Home Decorators Collection!

Table of Contents

Table of Contents	2	Assembly	7
Safety Information	2	Operation	13
Warranty	3	Care and Cleaning	14
Pre-Installation	3	Troubleshooting	14
Installation.....	6		

Safety Information

READ AND SAVE THESE INSTRUCTIONS.

1. To reduce the risk of electric shock, ensure the electricity has been turned off at the circuit breaker or fuse box before you begin.
2. All wiring must be in accordance with the National Electrical Code ANSI/NFPA 70-1999 and local electrical codes. Electrical installation should be performed by a qualified licensed electrician.
3. The outlet box and support structure must be securely mounted and capable of reliably supporting 35 lbs. (15.9 kg). Use only UL Listed outlet boxes marked "Acceptable for Fan Support of 35 lbs. (15.9 kg) or less."
4. The fan must be mounted with a minimum of 7 ft (2.1 m) clearance from the trailing edge of the blades to the floor.
5. Do not operate the reversing switch while the fan blades are in motion. You must turn the fan off and stop the blades before you reverse the blade direction.
6. Do not place objects in the path of the blades.
7. Electrical diagrams are for reference only. Light kits that are not packed with the fan must be UL-listed and marked suitable for use with the model fan you are installing. Switches must be UL General Use Switches. Refer to the instructions packaged with the light kits and switches for proper assembly.
8. After making electrical connections, spliced conductors should be turned upward and pushed carefully up into the outlet box. The wires should be spread apart with the grounded conductor and the equipment-grounding conductor on one side of the outlet box.
9. All setscrews must be checked and retightened where necessary before installation.



WARNING: To reduce the risk of personal injury, do not bend the blade brackets (also referred to as flanges) during assembly or after installation. Do not insert objects in the path of the blades.



WARNING: To reduce the risk of fire, electric shock or personal injury, mount to outlet box marked "acceptable for fan support of 35 lbs. (15.9 Kg) or less" and use screws provided with the outlet box.



WARNING: To reduce the risk of fire or electric shock, do not use this fan with any solid-state speed control device.



WARNING: To avoid possible electrical shock, turn the electricity off at the main fuse box before wiring. If you feel you do not have enough electrical wiring knowledge or experience, contact a licensed electrician.



WARNING: Electrical diagrams are for reference only. Optional use of any light kit shall be UL-listed and marked suitable for use with this fan.



CAUTION: To reduce the risk of personal injury, use only the screws provided with the outlet box.



CAUTION: To avoid personal injury or damage to the fan and other items, use caution when working around or cleaning the fan.

Warranty

The supplier warrants the fan motor to be free from defects in workmanship and material present at time of shipment from the factory for a lifetime after the date of purchase by the original purchaser. The supplier also warrants that all other fan parts, excluding any glass or acrylic blades, to be free from defects in workmanship and material at the time of shipment from the factory for a period of two years after the date of purchase by the original purchaser. We agree to correct such defects without charge or at our option replace with a comparable or superior model if the product is returned. To obtain warranty service, you must present a copy of the receipt as proof of purchase. All costs of removing and reinstalling the product are your responsibility. Damage to any part such as by accident, misuse, improper installation, or by affixing any accessories, is not covered by this warranty. Because of varying climatic conditions this warranty does not cover any changes in brass finish, including rusting, pitting, corroding, tarnishing, or peeling. Brass finishes of this type give their longest useful life when protected from varying weather conditions. A certain amount of "wobble" is normal and should not be considered a defect. Servicing performed by unauthorized persons shall render the warranty invalid. There is no other express warranty. Home Decorators Collection hereby disclaims any and all warranties, including but not limited to those of merchantability and fitness for a particular purpose to the extent permitted by law. The duration of any implied warranty which cannot be disclaimed is limited to the time period as specified in the express warranty. Some states do not allow a limitation on how long an implied warranty lasts, so the above limitation may not apply to you. The retailer shall not be liable for incidental, consequential, or special damages arising out of or in connection with product use or performance except as may otherwise be accorded by law. Some states do not allow the exclusion of incidental or consequential damages, so the above exclusion or limitation may not apply to you. This warranty gives specific legal rights, and you may also have other rights which vary from state to state. This warranty supersedes all prior warranties. Shipping costs for any return of product as part of a claim on the warranty must be paid by the customer.

Contact the Customer Service Team at 1-800-986-3460 or visit www.HomeDepot.com/homedecorators.

Pre-Installation

SPECIFICATIONS

Size	Speed	Volts	Amps	Watts	RPM	CFM	Net Weight	Gross Weight	Cube Feet
44 in.	Low	120	0.25	13	75	2438	16.98 lbs (7.7 kgs)	19.62 lbs (8.9 kgs)	1.54 cu.ft.
	Medium		0.38	30	120	3556			
	High		0.53	63	175	5201			



NOTE: These are approximate measures. They do not include the Amps and Wattage used by the light kit.



TOOLS REQUIRED



Phillips
screwdriver



Flat blade
screwdriver



Adjustable
wrench



Electrical
tape



Wire
cutter/
Stripper



Step ladder

Pre-Installation (continued)

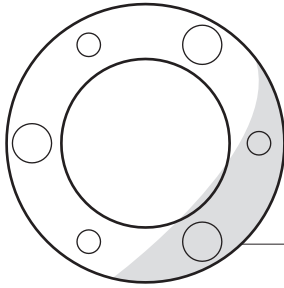
HARDWARE INCLUDED



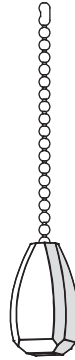
NOTE: Hardware not shown to actual size.



AA



BB

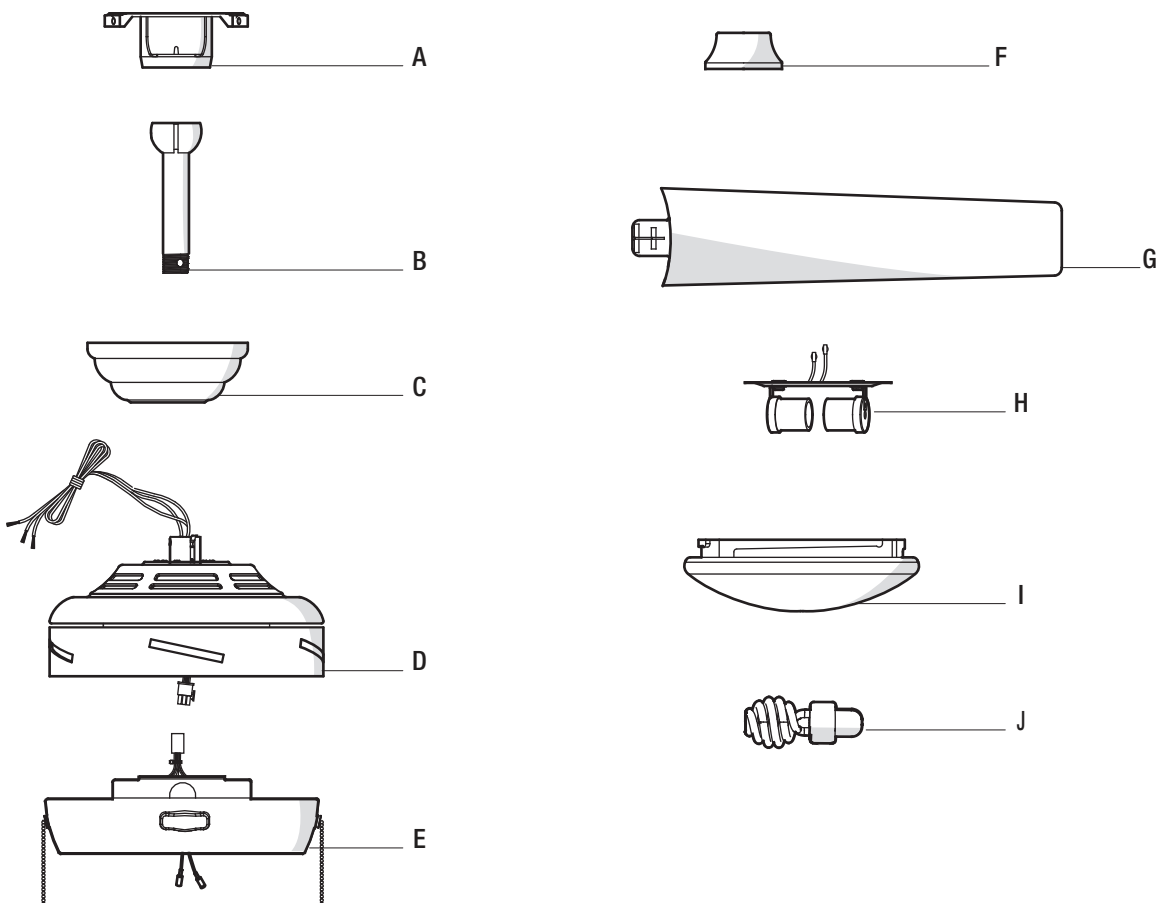


CC

Part	Description	Quantity
AA	Wire connecting nut	3
BB	Rubber Gasket	1
CC	Pull chain	2

Pre-Installation (continued)

PACKAGE CONTENTS



Part	Description	Quantity
A	Slide-on mounting bracket (inside canopy)	1
B	Ball/downrod assembly	1
C	Canopy with canopy ring attached	1
D	Fan-motor assembly	1
E	Light kit pan	1

Part	Description	Quantity
F	Decorative motor collar cover	1
G	Blade	5
H	Light kit fitter assembly	1
I	Glass bowl	1
J	CFL Bulb, 14-watts maximum	2



IMPORTANT: This product and/or components are governed by one or more of the following U.S. Patents: 5,947,436; 5,988,580; 6,010,110; 6,046,416; 6,210,117 and other patents pending.

Installation

MOUNTING OPTIONS

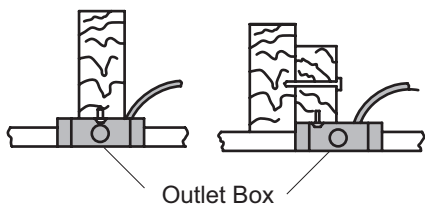


WARNING: To reduce the risk of fire, electric shock or personal injury, mount to outlet box marked “acceptable for fan support of 35 lbs. (15.9 Kg) or less” using the screws provided with the outlet box. An outlet box commonly used for the support of lighting fixtures may not be acceptable for fan support and may need to be replaced. If in doubt, consult a qualified electrician.

If your ceiling fan does not have an existing UL-listed mounting box, then install one using the following instructions:

- Disconnect the power by removing the fuses or turning off the circuit breakers.
- Secure the outlet box directly to the building structure. Use the appropriate fasteners and materials. The outlet box and its bracing must be able to fully support the weight of the moving fan (at least 35 lbs.). Do not use a plastic outlet box.

The illustrations below show three different ways to mount the outlet box.



NOTE: You may need a longer downrod to maintain proper blade clearance when installing on a steep, sloped ceiling. The maximum angle allowable is 30° away from horizontal.



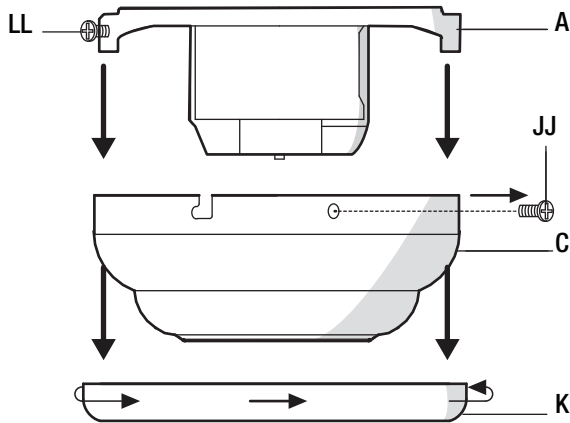
If the canopy touches the downrod, then remove the decorative canopy bottom cover, and turn the canopy 180° before attaching the canopy to the mounting plate.

To hang your fan where there is an existing fixture but no ceiling joist, you may need an installation hanger bar as shown above (available at any Home Depot store).

Assembly - Standard Ceiling Mount

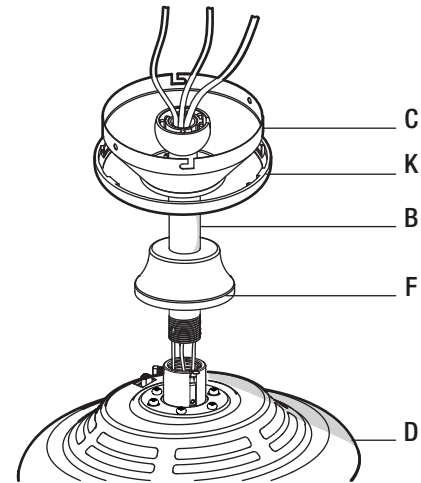
1 Preparing for mounting

- Remove the canopy ring (K) from the canopy (C) by turning the ring counter-clockwise until it unlocks.
- Remove the mounting bracket (A) from the canopy (C) by loosening the two canopy screws (LL) located in the “L shaped” slots.
- Remove and save the two canopy screws (JJ) in the round holes. This will enable you to remove the mounting bracket (A).



2 Routing the wires

- Route the wires exiting the top of the fan motor assembly (D) through the center of the canopy ring (K) are on top.
- Insert the ball/downrod (B) through the canopy (C) and slide the decorative motor collar cover (F) onto the end of the ball/downrod (B). Make sure the slots on the canopy (C) are on top.
- Route the wires exiting the top of the fan motor assembly (D) through the downrod as shown.



3 Assembling the fan

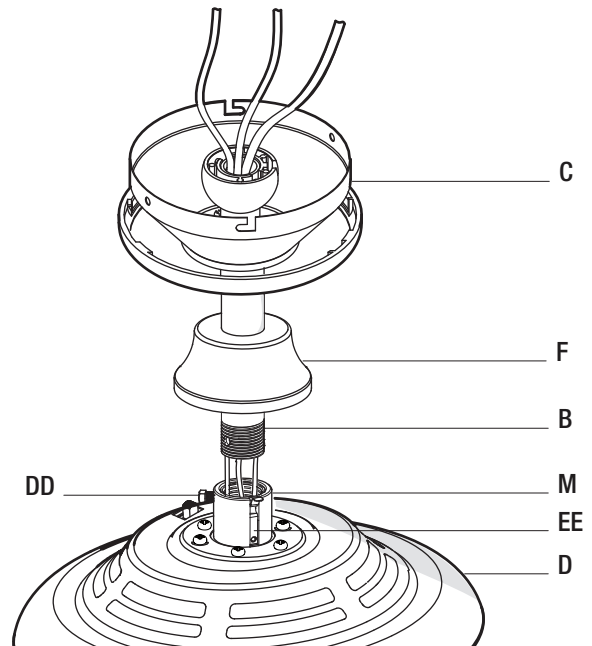


CAUTION: To ensure wobble-free operation and to avoid damage to the fan, the downrod (B) and the setscrew (DD) must be completely tightened



NOTE: This fan is equipped with a safety tab (EE). Should the setscrew (DD) ever become loose while the fan is running in reverse, the safety tab (EE) will engage and stop the fan from falling.

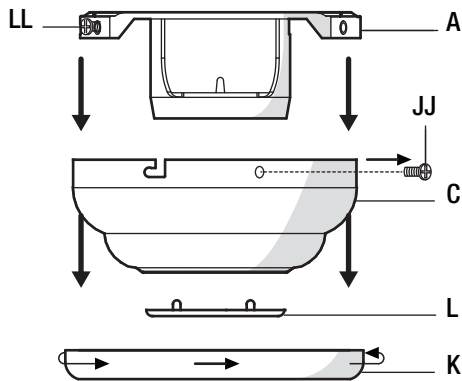
- Remove the setscrew (DD) by turning it counterclockwise.
- Install the downrod (B) by inserting it into the motor collar (M), and turning it clockwise until it is tight.
- Reinstall the setscrew (DD) turning clockwise until tight.



Assembly - Close-To-Ceiling Mount

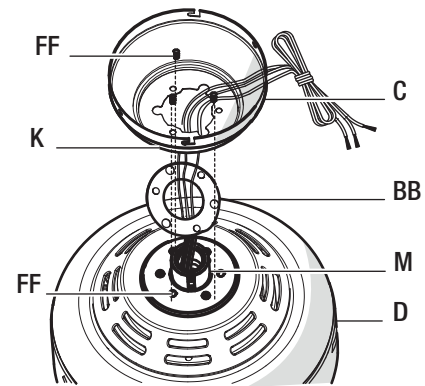
1 Close-to-Ceiling Mounting

- Remove the canopy ring (K) from the canopy (C) by turning the ring counter-clockwise until it unlocks.
- Remove the mounting bracket (A) from the canopy (C) by loosening the two canopy screws (LL) located in the “L shaped” slots.
- Remove and save the two canopy screws (JJ) in the round holes. This will enable you to remove the mounting bracket (A).
- Remove the decorative canopy bottom cover (L) from the canopy (C) by depressing the three studs.



2 Routing the wires

- Remove three of the six screws and lock washers (FF) (every other one) securing the motor collar (M) to the top of the fan motor housing (D).
- Route the wires exiting the top of the fan-motor assembly (D) through the rubber gasket (BB) aligning the holes in the rubber gasket (BB) with the three screw holes in the fan-motor assembly (D).
- Route the wires exiting the top of the fan-motor assembly (D) through the canopy ring (K), and the canopy (C) (make sure the slot openings for the canopy ring and canopy are on top. Place the canopy (C) over the collar (M) at the top of the motor assembly (D).
- Align the mounting holes with the holes in the motor (D) and fasten, using the three screws and lock-washers (FF) removed previously. Tighten the mounting screws securely.



Assembly - Hanging the Fan

4 Attaching the fan to the electrical box

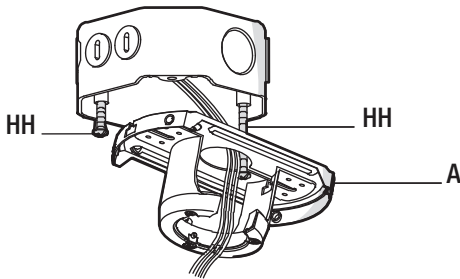


WARNING: To reduce the risk of fire, electric shock or personal injury, mount to outlet box marked "acceptable for fan support of 35 lbs. (15.9 Kg) or less" using the screws provided with the outlet box.



NOTE: The mounting bracket (A) is designed to slide into place on an outlet box with the outlet box screws (HH) installed.

- Pass the 120-Volt supply wires through the center hole in the mounting bracket (A).
- Install the ceiling mounting bracket on the outlet box by sliding the mounting bracket (A) over the two screws (HH) provided with the outlet box. If necessary, use leveling washers (not included) between the mounting bracket (A) and the outlet box. Note that the flat side of the mounting bracket (A) is toward the outlet box. When using close-to-ceiling mounting, it is important that the mounting bracket be level.
- Securely tighten the two mounting screws (HH).



5 Hanging the fan



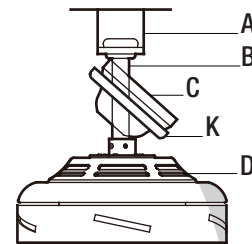
WARNING: The hook as shown is only to balance the fan while attaching wiring. Failure to hang as shown may result in hook breaking, causing the fan to fall. The hook must pass from inside to the outside of the canopy.



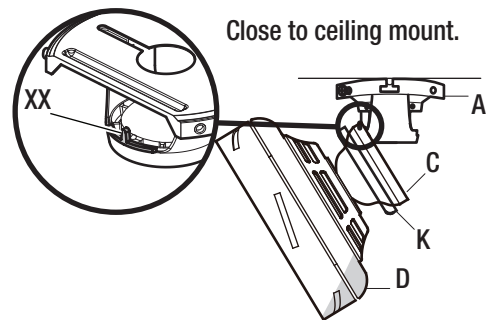
WARNING: When hanging the fan on the hook (XX) it is critical that you use one of the non-slotted (round) holes in the canopy (C).

- Carefully lift the fan-motor assembly (D) up to the slide-on mounting bracket (A).
- Insert the ball portion of the ball/downrod assembly into the socket of the slide-on mounting bracket.
- Turn the ball/downrod assembly clockwise until it is seated with the tab of the slide-on mounting bracket aligned with slot in the ball.
- If using close-to-ceiling mounting, hang the fan on the hook provided by utilizing one of the holes at the outer rim of the ceiling canopy (C).

Standard mount.



Close to ceiling mount.



Assembly - Hanging the Fan (continued)

6 Making the electrical connection



WARNING: Each wire not supplied with this fan is designed to accept up to one 12-gauge house wire and two wires from the fan. If you have larger than 12-gauge house wiring or more than one house wire to connect to the fan wiring, consult an electrician for the proper size wire nuts to use.



WARNING: Remove the rubber motor stops on the bottom of the fan before installing the blades or testing the motor.

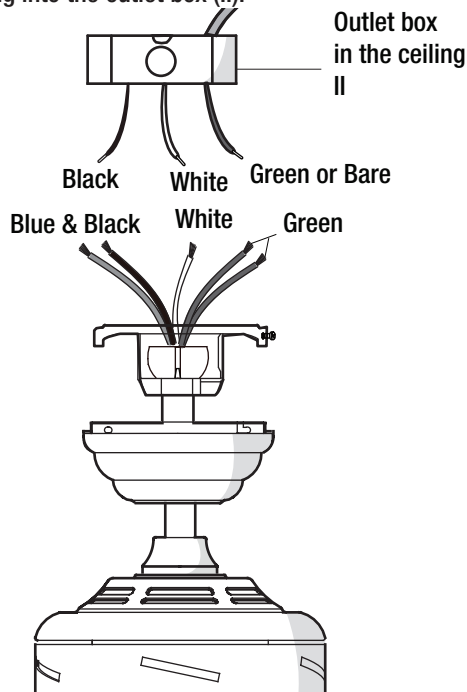


IMPORTANT: Use the plastic wire connectors (AA) supplied with your fan. Secure the connectors with electrical tape and ensure there are no loose strands or connections.



NOTE: The fan comes with 30 in. lead wires for use with an extended ball/downrod assembly. If using the 4.5 in. ball/downrod assembly (B) provided, you can cut the lead wires to your desired length.

- The fan comes with 30 in. lead wires for use with an extended ball/downrod assembly. If using the 4.5 in. ball/downrod assembly (B) provided, you can cut the lead wires to your desired length. This will make extra room in the canopy (C), if you do not wish to cut the wires, you will need to neatly wrap them.
- Connect the fan motor green wires to the household green or bare wire using a wire connecting nut (AA).
- Connect the fan motor white wire to the household white wire using a wire connecting nut (AA).
- Connect the fan motor black and blue wires to the household black wire using a wire connecting nut (AA).
- Secure each wire connecting nut using electrical tape.
- Turn the wire connecting nut (AA) upward and push the wiring into the outlet box (II).

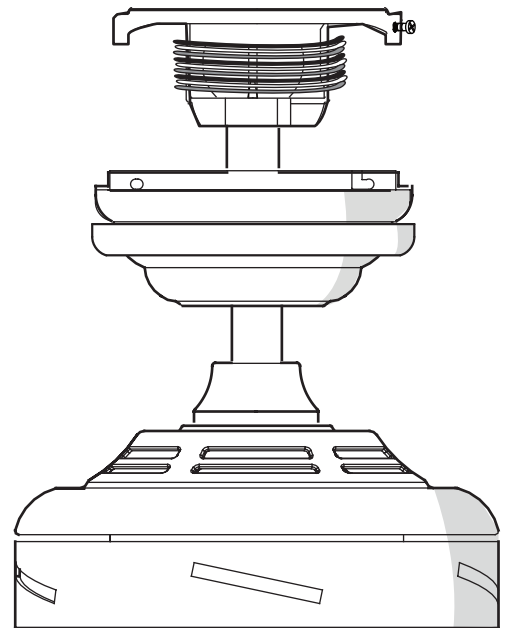
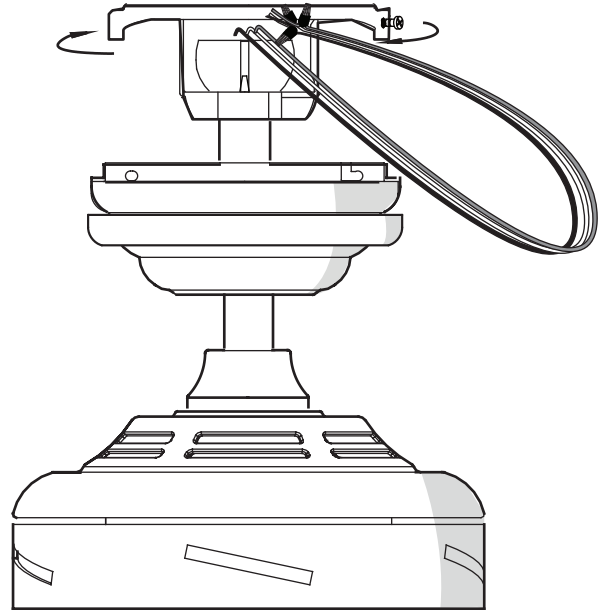


7 Wrapping the extra wire



NOTE: Follow this step ONLY if you did not cut the extra length off from the wires coming from the ceiling fan.

- Gently wrap the excess wire around the mounting bracket.
- Secure with electrical tape.



Assembly - Hanging the Fan (continued)

8a Mounting the fan-motor assembly (standard mount)

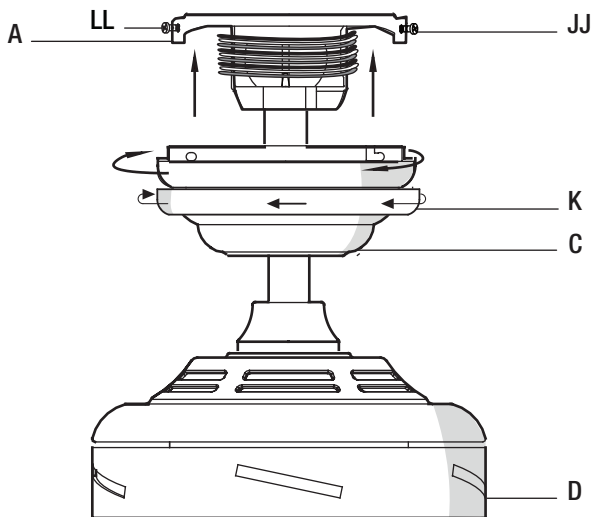


WARNING: When using the standard ball/downrod mounting, the tab in the ring at the bottom of the mounting bracket must rest in the groove of the hanger ball. Failure to properly seat the tab in the groove could cause damage to the wiring.



WARNING: The locking slots of ceiling canopy are provided only as an aid to mounting. Do not leave the fan assembly unattended until all four canopy screws are engaged and firmly tightened.

- Align the locking slots of the ceiling canopy (C) with the two screws (LL) in the mounting bracket (A). Push up to engage the slots and turn clockwise to lock in place.
- Firmly tighten the two mounting screws.
- Install the two mounting screws (JJ) (saved from Assembly Step 1 “Preparing for mounting”) into the holes in the canopy (C) and tighten firmly.
- Install the decorative canopy ring (K) by aligning the ring's slots with the screws in the canopy (C). Rotate the ring clockwise to lock in place.

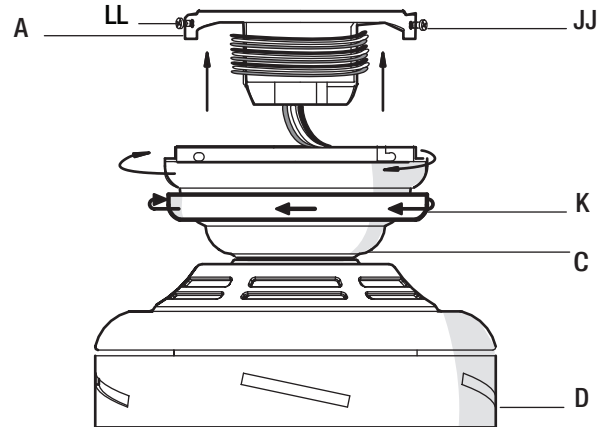


8b Mounting the fan-motor assembly (close-to-ceiling mount)



WARNING: The locking slots of the ceiling canopy are provided only as an aid to mounting. Do not leave the fan assembly unattended until all four canopy screws are engaged and firmly tightened.

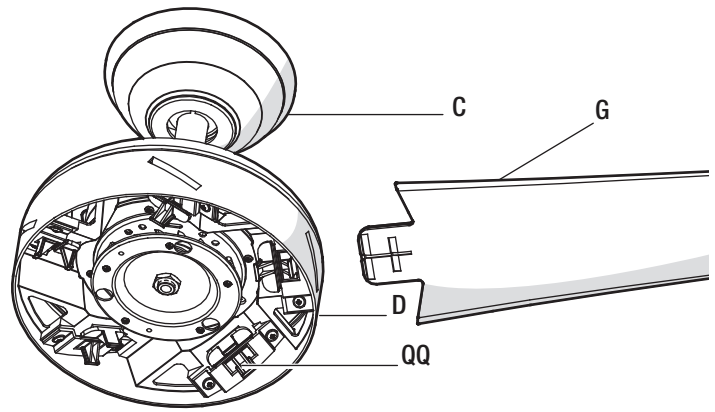
- Align the locking slots of the ceiling canopy (C) with the two screws (LL) in the mounting bracket (A). Push up to engage the slots and turn clockwise to lock in place.
- Firmly tighten the two mounting screws.
- Install the two mounting screws (JJ) (saved from Assembly Step 1 “Preparing for mounting”) into the holes in the canopy (C) and tighten firmly.
- Install the decorative canopy ring (K) by aligning the ring's slots with the screws in the canopy (C). Rotate the ring clockwise to lock in place.



Assembly - Attaching the Fan Blades

9 Attaching the fan blades

- Attach a blade (G) to the fan motor housing (D) by inserting the blade (G) into the slot in the side of the fan motor housing (D) until it stops. The locking clip will click twice when the blade is correctly installed. Ensure the blade is snapped into locking clip (QQ) completely by pulling the fan blade away from the motor housing.
- Repeat these steps for the remaining blades (G).



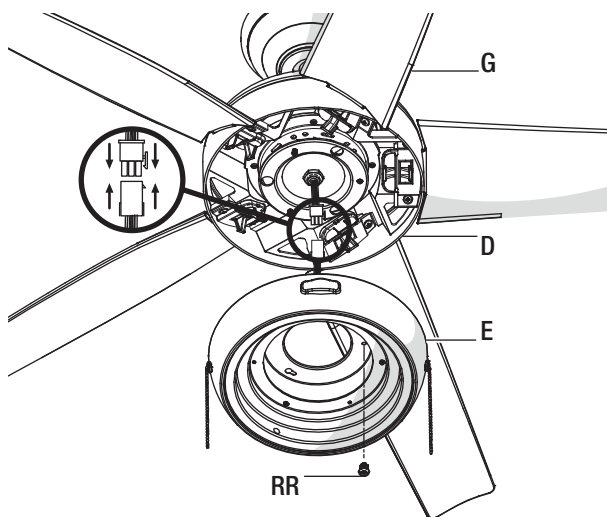
Assembly - Installing the Light Kit

10 Attaching the light kit pan



CAUTION: To reduce the risk of electric shock, disconnect the electrical supply circuit to the fan before installing the light kit.

- Remove one screw (RR) from the black bracket below the fan motor assembly (D). Loosen but do not remove the other two screws.
- Connect the 9-pin plug exiting the bottom of the fan motor to the 9-pin plug from the light kit pan (E). Be sure plugs connection snap together completely.
- Attach the light kit pan (E) to the fan motor assembly (D) by securing with the two screws (RR) loosened in first step. Push the light kit pan (E) up to engage the screw heads in the screw slots and turn to secure. Tighten each screw firmly.

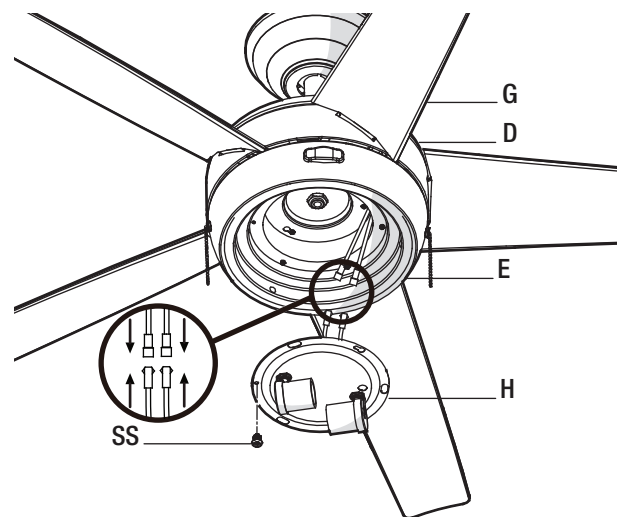


11 Attaching the light kit fitter assembly



CAUTION: To reduce the risk of electric shock, disconnect the electrical supply circuit to the fan before installing the light kit.

- To attach the light kit fitter assembly (H), remove one screw (SS) from the light kit pan (E), and loosen, but do not remove the other two screws.
- Connect the blue wire existing the bottom of the fan motor assembly (D) with the black wire from the top of the light kit fitter assembly (H).
- Connect the white wire existing the bottom of the fan motor assembly (D) with the white wire from the top of the light kit fitter assembly (H).
- Push the light kit fitter assembly (H) up to the light kit pan (E) so that the two loosened screws heads fit into the keyhole slots. Turn the light kit fitter assembly (H) to secure. Tighten each screw firmly.



Assembly - Installing the Light Kit (continued)

12 Installing the light bulbs and glass bowl

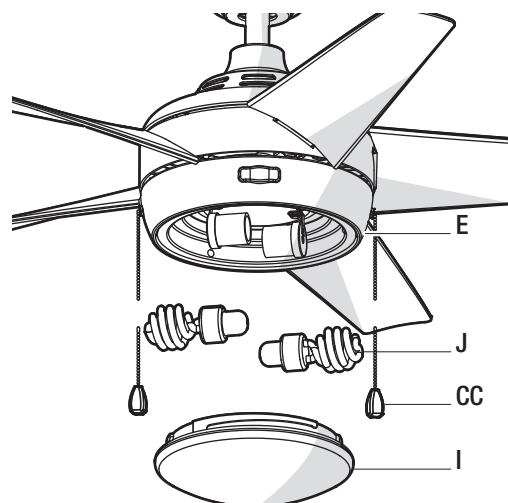


WARNING: Do not overtighten when installing the glass shade into the light kit assembly. Allow the glass shade to cool completely before removing.



CAUTION: Over lamping the fan will result in the fan lights shutting down until the proper wattage of bulbs are installed. Reset the lights by turning off the light and replacing the bulbs with the correct wattage bulbs

- With the power off, install the two fluorescent bulbs (J) (Max. 14W, included) into the light bulb sockets.
- Place the glass bowl (I) into the light kit assembly (E), aligning the three flat areas on the top flange of the glass bowl (I) with the three raised dimples in the light kit assembly. Turn the glass bowl (I) clockwise until it stops.
- Attach the pull chain extensions (CC) to the fan pull chains.



Operation of your fan



NOTE: Wait for the fan to stop before reversing direction of the blade rotation.

The pull chain controls the fan speed as follows:

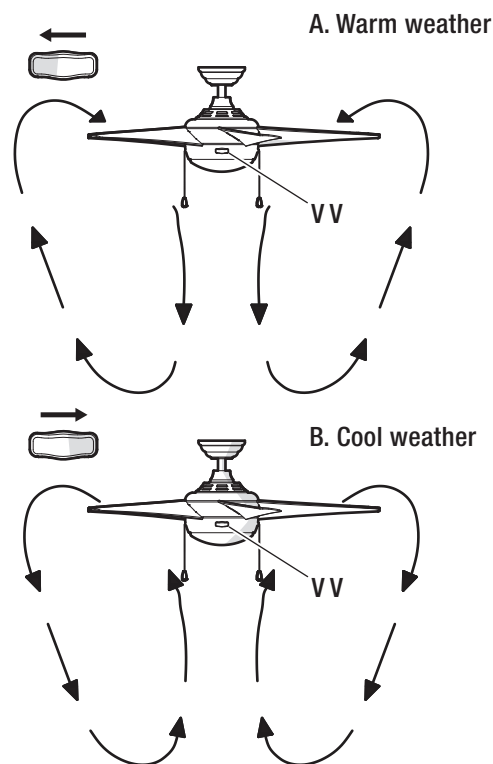
1 pull -High, 2 pulls -Medium, 3 pulls -Low, and 4 pulls -Off

Speed setting for warm or cool weather depend on factors such as room size, ceiling height, number of fans, and so on.

The slide switch (V V) controls the direction: forward (switch left) or reverse (switch right).

A. Warm weather - (Forward) A downward airflow creates a cooling effect. This allows you to set your air conditioner on a higher setting without affecting your comfort.

B. Cool weather - (Reverse) An upward airflow moves warm air off of the ceiling. This allows you to set your heating unit on a lower setting without affecting your comfort.



Care and Cleaning



WARNING: Make sure the power is off before cleaning your fan.

- Because of the fan's natural movement, some connections may become loose. Check the support connections, brackets, and blade attachments twice a year. Make sure they are secure. It is not necessary to remove the fan from the ceiling.
- Clean your fan periodically to help maintain its new appearance over the years. Do not use water when cleaning, as this could damage the motor, or the wood, or possibly cause an electrical shock. Use only a soft brush or lint-free cloth to avoid scratching the finish. The plating is sealed with a lacquer to minimize discoloration or tarnishing.
- You can apply a light coat of furniture polish to the wood for additional protection and enhanced beauty. Cover small scratches with a light application of shoe polish.
- You do not need to oil your fan. The motor has permanently-lubricated sealed ball bearings.

Troubleshooting

Problem	Solution
The fan will not start	<ul style="list-style-type: none">□ Check the main and branch circuit fuses or breakers.□ Check the line wire connections to the fan and switch wire connections in the switch housing.□ Check the battery in the remote control.□ Ensure you are in the normal range of 10-20 feet.□ Turn the power off and ensure that the dip switch settings are the same on the remote control and receiver.
The fan is noisy	<ul style="list-style-type: none">□ Ensure all motor housing screws are snug.□ Ensure the screws that attach the fan blade bracket to the motor hub are tight.□ Ensure the wire nut connections are not rattling against each other or the interior wall of the switch housing.□ Allow a 24-hour "breaking in" period. Most noises associated with a new fan disappear during this time.□ If you are using the Ceiling Fan light kit, ensure the screws securing the glassware are tight. Check that the light bulbs are also secure.□ Ensure the canopy is a short distance from the ceiling. It should not touch the ceiling.□ Ensure your outlet box is secure and rubber isolator pads were used between the mounting plate and outlet box.
The fan wobbles	<ul style="list-style-type: none">□ Check that all blade and blade arm screws are secure.□ Most fan wobble problems are caused when blade levels are unequal. Check this level by selecting a point on the ceiling above the tip of one of the blades. Measure from a point on the center of the blade to the point on the ceiling. Rotate the fan until the next blade is positioned for measurement, and measure from the same point on each blade to the ceiling. Repeat for each blade. Any measurement deviation should be within 1/8 in. Run the fan for ten minutes. If the fan continues to wobble please contact Hampton Bay Customer Service and a balancing kit will be sent to you at no charge.

HOME DECORATORS COLLECTION

Questions, problems, missing parts? Before returning to the store,
call Home Depot Customer Service
8 a.m. - 6 p.m., EST, Monday-Friday

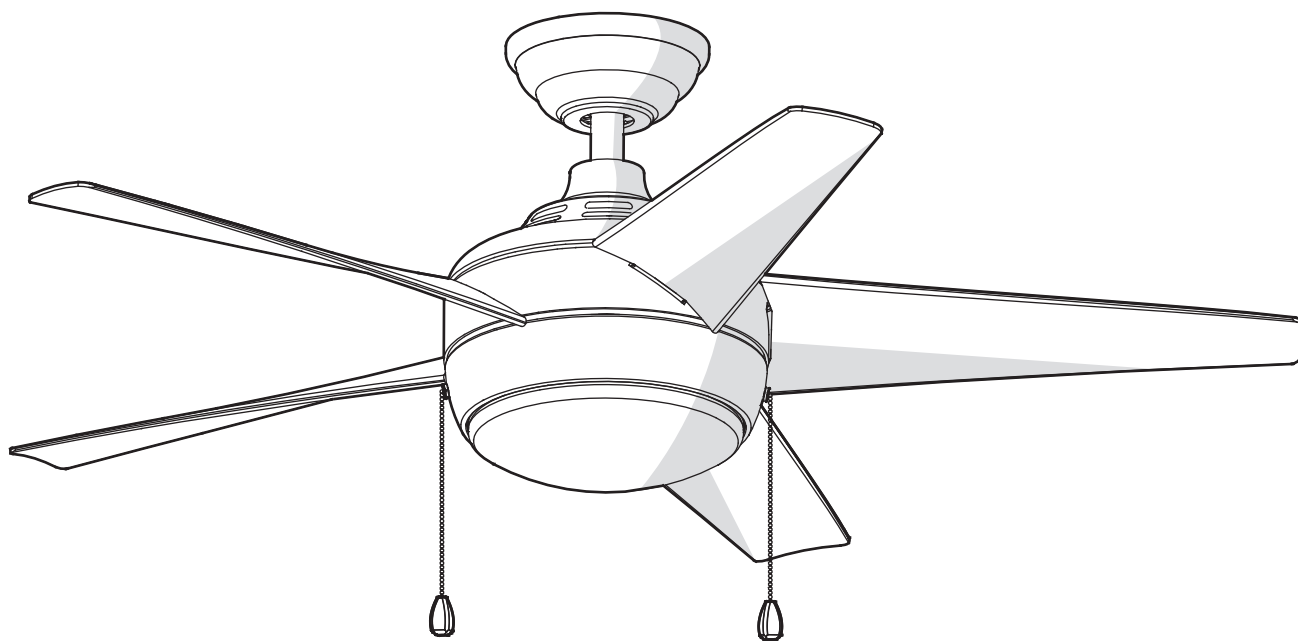
1-800-986-3460

[HOMEDEPOT.COM/HOMEDECORATORS](https://www.homedepot.com/homedecorators)

Retain this manual for future use.

GUÍA DE USO Y MANTENIMIENTO

VENTILADOR DE TECHO WINDWARD DE 1.12 M



¿Preguntas, problemas o piezas faltantes? Antes de regresar a la tienda, llama al servicio al cliente de Home Decorators Collection de lunes a viernes entre 8 a.m. y 6 p.m. (hora estándar del Este).

1-800-986-3460

HOMEDEPOT.COM/HOMEDECORATORS

GRACIAS POR TU COMPRA

Apreciamos la confianza que has depositado en Home Decorators Collection al comprar este ventilador de techo. Nos esforzamos para continuamente crear productos de calidad diseñados para mejorar tu hogar. Visítanos por Internet para ver nuestra línea completa de productos disponibles para las necesidades de mejoras de tu hogar. ¡Gracias por elegir Home Decorators Collection!

Tabla de contenido

Tabla de contenido	2	Ensamblaje.....	7
Información de seguridad.....	2	Funcionamiento	13
Garantía	3	Mantenimiento y limpieza.....	14
Preinstalación	3	Solución de problemas	14
Instalación.....	6		

Información de seguridad

LEE Y GUARDA ESTAS INSTRUCCIONES.

1. Para disminuir el riesgo de descarga eléctrica, asegúrate de cortar la electricidad del cortacircuitos o la caja de fusibles antes de comenzar.
2. Todo el cableado debe cumplir con el Código Nacional de Electricidad ANSI/NFPA 70-1999 y con los códigos locales de electricidad. La instalación eléctrica debe ser hecha por un electricista certificado y calificado.
3. La caja eléctrica y la estructura de soporte deben montarse de forma segura y tener capacidad para sostener de manera confiable 15.9 kg. Usa solamente cajas eléctricas aprobadas por UL marcadas como “apropiada para sostener ventiladores de 15.9 kg o menos”.
4. El ventilador debe ir montado con un mínimo de 2.13 m de separación entre el borde trasero de las aspas y el piso.
5. No muevas el interruptor de reversa mientras las aspas del ventilador estén en movimiento. Debes apagar y detener las aspas antes de dar reversa a la dirección de estas.
6. No coloques objetos en la trayectoria de las aspas.
7. Los diagramas eléctricos son solamente para referencia. Los kits de luces no empaquetados con el ventilador deben estar aprobados por UL y marcados como apropiados para ser usados con el modelo de ventilador que estás instalando. Los interruptores deberán estar clasificados por UL como de uso general. Consulta las instrucciones adjuntas a los kits de luces e interruptores para obtener información sobre el ensamblaje adecuado.
8. Después de concluir las conexiones eléctricas, debes voltear los conductores empalmados hacia arriba y meterlos con cuidado en la caja eléctrica. Los cables deben estar separados con el cable a tierra y el conductor a tierra del equipo hacia uno de los lados de la caja eléctrica.
9. Todos los tornillos de fijación deben ser verificados y ajustados donde sea necesario antes de la instalación.



ADVERTENCIA: Para reducir el riesgo de lesiones personales, no dobles los soportes de las aspas (también llamados “bridas”) durante el ensamblaje ni después de la instalación. No coloques objetos en la trayectoria de las aspas.



ADVERTENCIA: Para reducir el riesgo de incendio, descarga eléctrica u otras lesiones personales, instala solo en una caja eléctrica clasificada como “apropiada para sostener ventiladores de 15.9 kg o menos” y usa solamente los tornillos incluidos con la caja eléctrica.



ADVERTENCIA: Para disminuir el riesgo de incendio o descarga eléctrica, no utilices este ventilador con ningún dispositivo de control de velocidad de estado sólido.



ADVERTENCIA: Para evitar una posible descarga eléctrica, corta la energía eléctrica en la caja principal de fusibles antes de instalar el cableado. Si crees que no tienes suficiente experiencia o conocimientos sobre cableado eléctrico, contrata a un electricista certificado.



ADVERTENCIA: Los diagramas eléctricos son solamente para referencia. Cualquier kit de luces opcional debe estar aprobado por UL y estar marcado como adecuado para ser usado con este ventilador.



PRECAUCIÓN: Para reducir el riesgo de lesiones personales, usa solamente los tornillos incluidos con la caja eléctrica.



PRECAUCIÓN: Para evitar lesiones, o daños al ventilador y otros objetos, ten cuidado al trabajar cerca del ventilador o al limpiarlo.

Garantía

El proveedor garantiza de por vida, a partir de la fecha en que el comprador original lo adquiere, que el motor del ventilador no presenta defectos de fabricación ni de materiales al momento en que es enviado desde la fábrica. El proveedor también garantiza por un período de dos años a partir de la fecha de compra por el comprador original, que todas las demás piezas del ventilador, sin incluir ninguna aspa de vidrio o acrílico, no presentarán ningún defecto de fabricación o de material desde el momento de su salida de la fábrica. Acordamos reparar todos los defectos del tipo antes mencionado, sin cargo alguno o, a nuestra discreción, reemplazar el producto por un modelo de igual calidad o superior si el producto es devuelto. Para obtener servicio de garantía, debe presentar una copia del recibo como comprobante de compra. Todos los costos de retiro y reinstalación del producto son su responsabilidad. Los daños a cualquiera de las piezas como resultado de accidentes, uso inadecuado, instalación inadecuada, o debidos a la instalación de cualquier accesorio, no están cubiertos bajo esta garantía. Debido a que las condiciones climáticas pueden variar, esta garantía no cubre ningún cambio en el acabado en bronce, incluyendo óxido, perforación, corrosión, manchas o descascamiento. Los acabados en bronce de este tipo tienen una vida útil más prolongada cuando se los protege de las condiciones climáticas cambiantes. Es normal cierta "oscilación" y no se considerará un defecto. Cualquier servicio realizado por personal no autorizado invalidará la garantía. No existe ninguna otra garantía expresa. Mediante la presente, Home Depot Decorators Collection se exime de cualquier garantía, incluyendo pero sin limitarnos a aquellas de comercialización e idoneidad para un fin particular, de acuerdo a lo contemplado por la ley. La duración de cualquier garantía implícita que no se pueda eximir está limitada al período de tiempo especificado en la garantía explícita. Algunos estados no permiten una limitación en la duración de la garantía; por consiguiente, la limitación anterior puede no aplicarse a su caso. El minorista no será responsable por daños directos, indirectos o especiales que resulten o deriven del uso o rendimiento del producto, excepto en casos en que lo estipule la ley. Algunos estados no permiten la exclusión o limitación de daños directos o indirectos, por lo que la limitación o exclusión anterior podría no aplicarse a su caso. Esta garantía le otorga derechos legales específicos y es posible que también tenga otros derechos que varían de un estado a otro. Esta garantía sustituye todas las garantías anteriores. Los costos de envío de cualquier devolución de productos hecha como parte de una reclamación de garantía están a cargo del cliente.

Comuníquese con el equipo de servicio al cliente al 1-800-986-3460 o visite www.HomeDepot.com/homedecorators.

Preinstalación

ESPECIFICACIONES

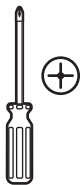
Tamaño	Velocidad	Voltios	Amperes	Watts	RPM	CFM	Peso neto	Peso bruto	Pies cúbicos
1.12 m	Baja	120	0.25	13	75	2438	16.98 lbs (7.7 kgs)	19.62 lbs (8.9 kgs)	1.54 pies ³
	Media		0.38	30	120	3556			
	Alta		0.53	60	175	5201			



NOTA: Estas medidas son aproximadas. No incluyen ni el amperaje ni el vataje consumido por el kit de luces.



HERRAMIENTAS NECESARIAS



Destornillador
Phillips



Destornillador
plano



Llave
ajustable



Cinta de
electricista



Pelacables/
cortacables



Escalera de tijera

Preinstalación (continuación)

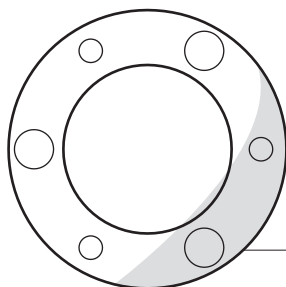
HERRAJES INCLUIDOS



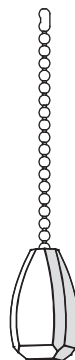
NOTA: No se muestra el tamaño real de los herrajes.



AA



BB

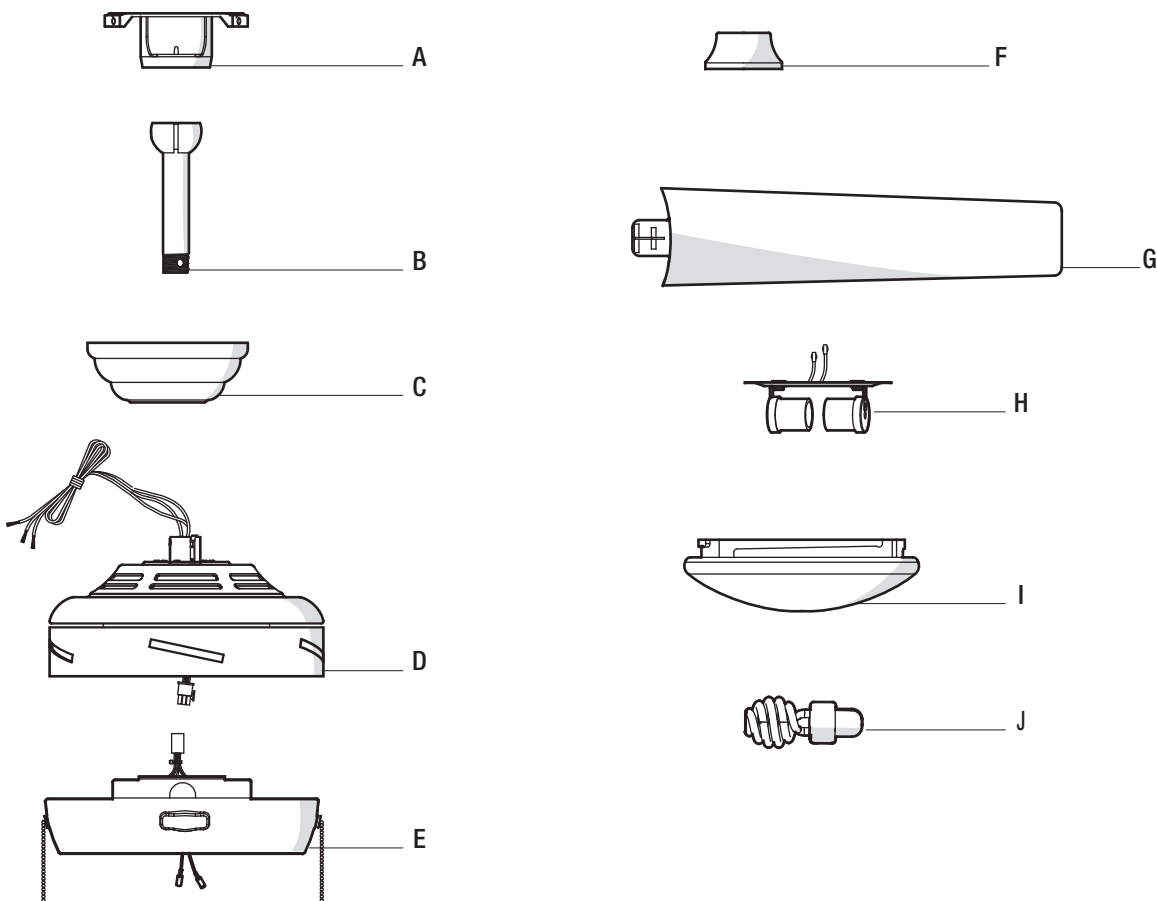


CC

Pieza	Descripción	Cantidad
AA	Tuerca para conectar cables	3
BB	Junta de goma	1
CC	Interruptor de cadena	2

Preinstalación (continuación)

CONTENIDO DEL PAQUETE



Pieza	Descripción	Cantidad
A	Soporte de montaje deslizante (dentro de la cubierta)	1
B	Ensamblaje de tubo bajante/bola	1
C	Cubierta con anillo de cubierta incorporado	1
D	Ensamblaje del motor del ventilador	1
E	Carcasa del kit de luces	1

Pieza	Descripción	Cantidad
F	Cubierta decorativa del collarín del motor	1
G	Aspa	5
H	Ensamblaje del soporte del kit de luces	1
I	Tazón de vidrio	1
J	Bombilla CFL, máximo de 14 watts	2



IMPORTANTE: Este producto o sus componentes están protegidos por una o más de las siguientes patentes de los EE. UU.: 5,947,436; 5,988,580; 6,010,110; 6,046,416, 6,210,117 y otras patentes pendientes.

Instalación

OPCIONES DE MONTAJE

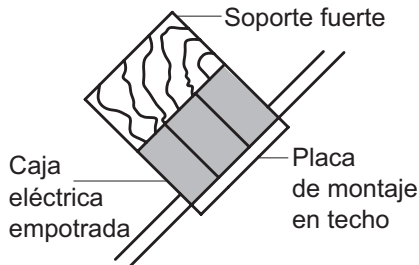
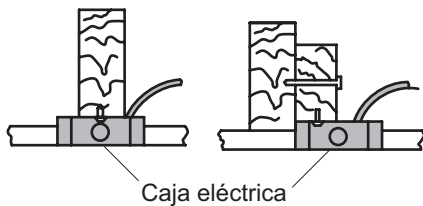
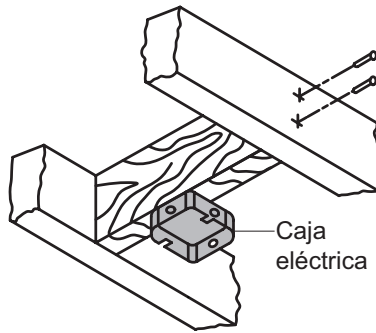


ADVERTENCIA: Para reducir el riesgo de incendio, descarga eléctrica u otras lesiones, instala solo en una caja eléctrica clasificada como “apropiada para sostener ventiladores de 15.9 kg o menos” y usa solamente los tornillos incluidos con la caja eléctrica. Las cajas eléctricas utilizadas comúnmente para el soporte de lámparas pueden no servir como soporte de ventilador y tal vez deban reemplazarse. En caso de duda, consulta a un electricista calificado.

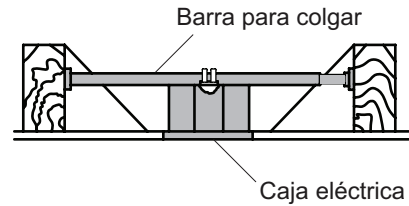
Si tu ventilador de techo no tiene una caja de montaje aprobada por UL, instala una siguiendo las instrucciones a continuación:

- Desconecta la energía retirando los fusibles o apagando los cortacircuitos.
- Asegura la caja eléctrica directamente a la estructura de la edificación. Usa sujetadores y materiales apropiados. La caja eléctrica y su soporte deben poder sostener el peso completo del ventilador en movimiento (al menos 15.9 kg). No uses una caja eléctrica de plástico.

Las ilustraciones a continuación muestran tres formas distintas de montar la caja eléctrica.



NOTA: Tal vez necesites un tubo bajante más largo para mantener la altura mínima adecuada de las aspas al instalar el ventilador en un techo inclinado. El ángulo máximo permitido es de 30° con respecto a la posición horizontal.

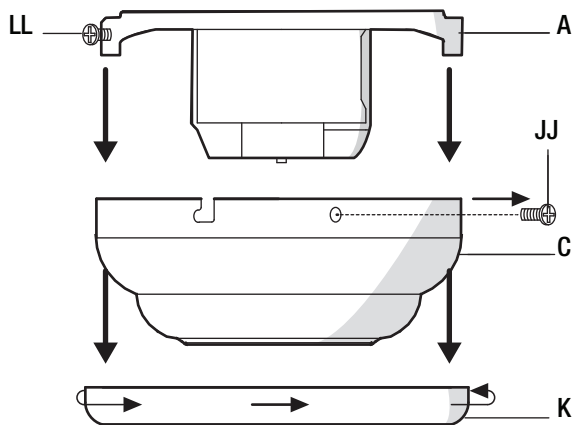


Si la cubierta toca el tubo bajante, retira la tapa inferior decorativa de la cubierta y gira la cubierta 180° antes de fijarla a la placa de montaje. Para colgar el ventilador donde ya haya una lámpara pero ninguna viga de techo, tal vez necesites una barra para colgar como se muestra anteriormente (disponible en cualquier tienda de The Home Depot).

Ensamblaje - Montaje estándar en techo

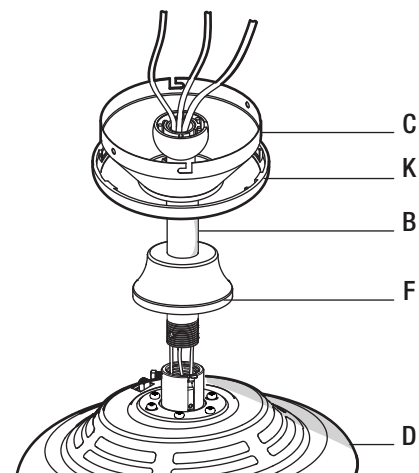
1 Preparación para el montaje

- ❑ Retira el aro de cubierta (K) de la cubierta (C), girándolo en sentido contrario a las manecillas del reloj hasta soltarlo.
- ❑ Retira el soporte de montaje (A) de la cubierta (C) aflojando los dos tornillos de la cubierta (LL) ubicados en las ranuras en forma de L.
- ❑ Quita y guarda los dos tornillos de la cubierta (JJ) en los orificios redondos. Esto te permitirá retirar el soporte de montaje (A).



2 Disposición de los cables

- ❑ Inserta los cables que salen por la parte superior del ensamblaje del motor del ventilador (D) a través del centro del anillo de la cubierta (C). Asegúrate de que las ranuras del anillo de la cubierta (C) estén en la parte superior.
- ❑ Inserta el tubo bajante/bola (B) a través de la cubierta (C) y desliza la cubierta decorativa del collarín del motor (F) en el extremo del tubo bajante/bola (B). Asegúrate de que las ranuras de la cubierta (C) estén en la parte superior.
- ❑ Inserta los cables que salen por la parte superior del ensamblaje del motor del ventilador (D) a través del tubo bajante (B) como se muestra.



3 Cómo ensamblar el ventilador

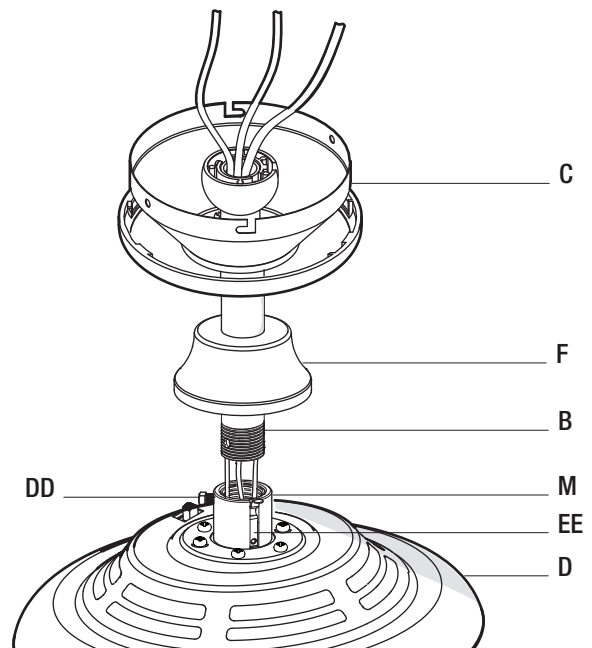


PRECAUCIÓN: Para asegurarte de que no haya oscilación y evitar dañar el ventilador, el tubo bajante (B) y el tornillo de fijación (DD) deben estar completamente ajustados.



NOTA: Este ventilador está equipado con una pestaña de seguridad (EE). Si el tornillo de fijación (DD) se afloja mientras el ventilador está funcionando en reversa, la pestaña de seguridad (EE) se enganchará y evitará que el ventilador se caiga.

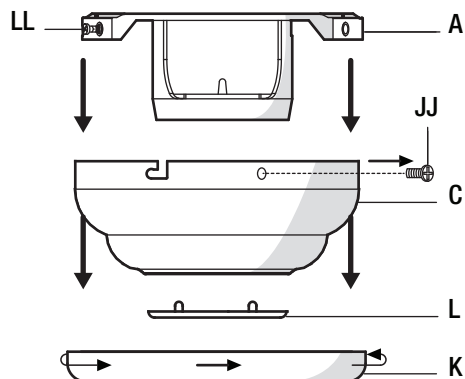
- ❑ Quita el tornillo de fijación (DD) girándolo en sentido contrario a las manecillas del reloj.
- ❑ Instala el tubo bajante (B) insertándolo en el collarín del motor (M) y girándolo en el sentido de las manecillas del reloj hasta que quede fijo.
- ❑ Vuelve a instalar el tornillo de fijación (DD) girándolo en el sentido de las manecillas del reloj hasta que quede fijo.



Ensamblaje – Montaje cerca del techo

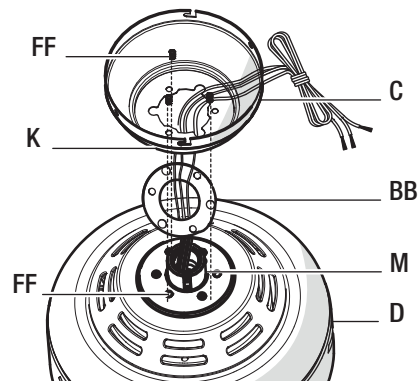
1 Montaje cerca del techo

- Retira el aro de cubierta (K) de la cubierta (C), girándolo en sentido contrario a las manecillas del reloj hasta soltarlo.
- Retira el soporte de montaje (A) de la cubierta (C) aflojando los dos tornillos de la cubierta (LL) ubicados en las ranuras en forma de L.
- Quita y guarda los dos tornillos de la cubierta (JJ) en los orificios redondos. Esto te permitirá retirar el soporte de montaje (A).
- Retira la cubierta inferior decorativa (L) de la cubierta (C) oprimiendo los tres pernos.



2 Disposición de los cables

- Retira tres de los seis tornillos y arandelas de seguridad (FF) (alternados) que sujetan el collarín del motor (M) a la parte superior de la carcasa del motor del ventilador (D).
- Pasa los cables que salen de la parte superior del ensamblaje del motor del ventilador (D) a través de la junta de goma (BB) y alinea los orificios de la junta de goma (BB) con los tres orificios para los tornillos del ensamblaje del motor del ventilador (D).
- Pasa los cables que salen de la parte superior del ensamblaje del motor del ventilador (D) a través del aro de la cubierta (K) y la cubierta (C) (asegúrate de que las aberturas en forma de ranura para el anillo de la cubierta y la cubierta estén en la parte superior). Coloca la cubierta (C) sobre el collarín (M) en la parte superior del motor (D).
- Alinea los orificios de montaje con los orificios del motor (D) y asegura con los tres tornillos y las arandelas de seguridad (FF) que retiraste anteriormente. Aprieta bien los tornillos de montaje.



Ensamblaje - Cómo colgar el ventilador

4 Cómo fijar el ventilador a la caja eléctrica

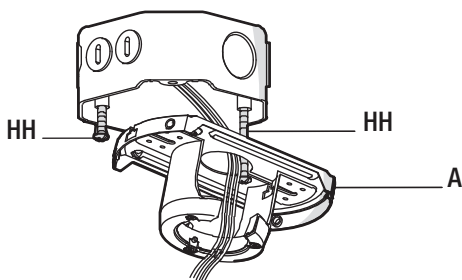


ADVERTENCIA: Para reducir el riesgo de incendio, descarga eléctrica u otras lesiones, instala solo en una caja eléctrica clasificada como “apropiada para sostener ventiladores de 15.9 kg o menos” y usa solamente los tornillos incluidos con la caja eléctrica.



NOTA: El soporte de montaje (A) está diseñado para ser colocado sobre una caja eléctrica con los tornillos de esta (HH) ya instalados.

- Pasa los cables de suministro de 120 voltios a través del orificio central en el soporte de montaje (A).
- Instala el soporte de montaje de techo sobre la caja eléctrica deslizando el soporte de montaje (A) sobre los dos tornillos (HH) incluidos con la caja eléctrica. Si es necesario, usa arandelas niveladoras (no incluidas) entre el soporte de montaje (A) y la caja eléctrica. Recuerda que el lado plano del soporte de montaje (A) apunta hacia la caja eléctrica. Cuando uses el montaje cerca del techo, es importante que el soporte de montaje esté nivelado.
- Ajusta firmemente los dos tornillos de montaje (HH).



5 Cómo colgar el ventilador

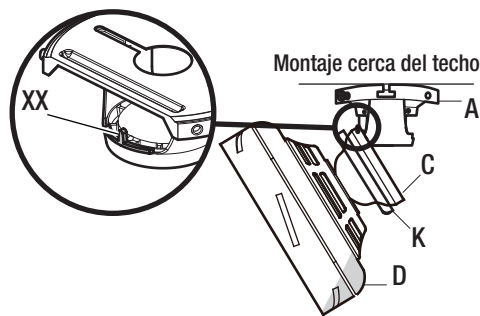
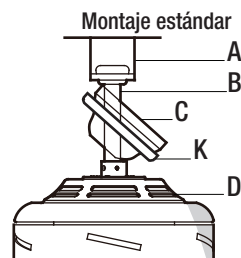


ADVERTENCIA: El gancho usado como se muestra es solamente para sostener el ventilador mientras se conectan los cables. Si no se cuelga como se muestra puede romperse el gancho y el ventilador se caerá. El gancho debe pasar desde adentro hacia fuera de la cubierta.



ADVERTENCIA: Al colgar el ventilador en el gancho (XX), es fundamental que uses uno de los orificios sin ranura (redondos) de la cubierta (C).

- Levanta con cuidado el ensamblaje del motor del ventilador (D) hasta el soporte de montaje (A).
- Inserta la bola de soporte del ensamblaje del tubo bajante/bola en el casquillo del soporte de montaje deslizante (A).
- Gira el ensamblaje del tubo bajante/bola de izquierda a derecha hasta que quede encajado, con la pestaña del soporte de montaje deslizante alineada con la ranura de la bola.
- Si usas el montaje cerca del techo, cuelga el ventilador del gancho suministrado usando uno de los orificios en el borde exterior de la cubierta de techo (C).



Ensamblaje - Cómo colgar el ventilador (continuación)

6 Cómo realizar las conexiones eléctricas



ADVERTENCIA: Cada cable no suministrado con este ventilador está diseñado para aceptar un máximo de un solo circuito eléctrico doméstico de calibre 12 y dos cables del ventilador. Si tienes un cableado doméstico superior a calibre 12 o más de un cable doméstico para conectar al cableado del ventilador, consulta a un electricista para conocer el tamaño adecuado de las tuercas para cables a usar.



ADVERTENCIA: Quita los tapones de goma del motor en la parte inferior del ventilador antes de instalar las aspas o de verificar el motor.

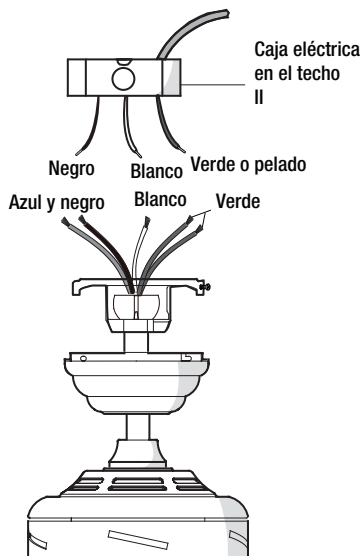


IMPORTANTE: Usa los conectores de cables plásticos (AA) incluidos con el ventilador. Sujeta los conectores con cinta de electricista y asegúrate de que no haya conexiones o cables sueltos.



NOTA: El ventilador viene con cables terminales de 76.2 cm para usar con un ensamblaje extendido de tubo bajante/bola. Si usas el ensamblaje extendido de tubo bajante/bola (B) de 11.4 cm incluido, puedes recortar los cables terminales al largo deseado.

- El ventilador viene con cables terminales de 76.2 cm para uso con un ensamblaje extendido de tubo bajante/bola. Si usas el ensamblaje extendido de tubo bajante/bola (B) de 11.4 cm incluido, puedes recortar los cables terminales al largo deseado. Esto dejará más espacio en la cubierta (C). Si no quieres cortar los cables, deberás enrollarlos cuidadosamente.
- Conecta los cables verdes del motor del ventilador a los cables verde o pelado del hogar usando una tuerca de conexión de cables (AA).
- Conecta el cable blanco del motor del ventilador al cable blanco del hogar usando una tuerca de conexión de cables (AA).
- Conecta los cables negro y azul del motor del ventilador al cable negro del hogar usando una tuerca de conexión de cables (AA).
- Asegura cada tuerca de conexión de cables con cinta de electricista.
- Gira la tuerca de conexión de cables (AA) hacia arriba y coloca el cableado dentro de la caja eléctrica (II).

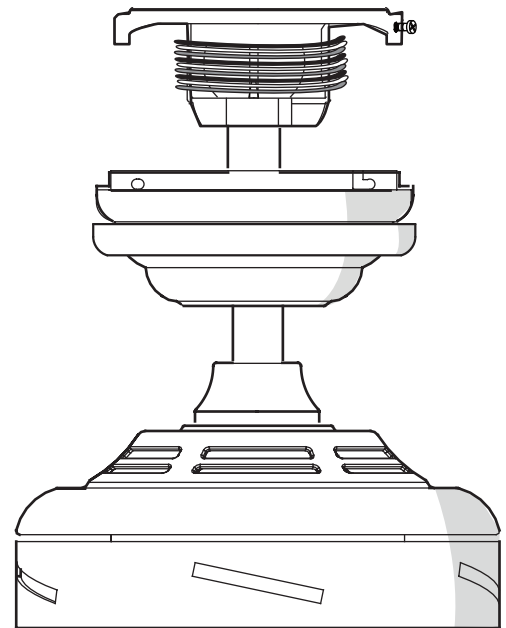
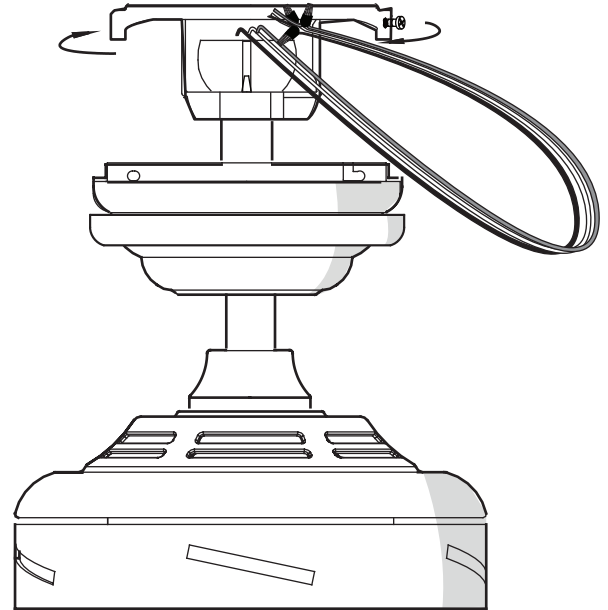


7 Cómo enrollar el cable sobrante



NOTA: Sigue estos pasos SOLAMENTE si no cortaste el cable sobrante del ventilador de techo.

- Con cuidado, enrolla el exceso de cable alrededor del soporte de montaje.
- Asegura con cinta de electricista.



Ensamblaje - Cómo colgar el ventilador (continuación)

8a Cómo montar el ensamblaje del motor del ventilador (montaje estándar)

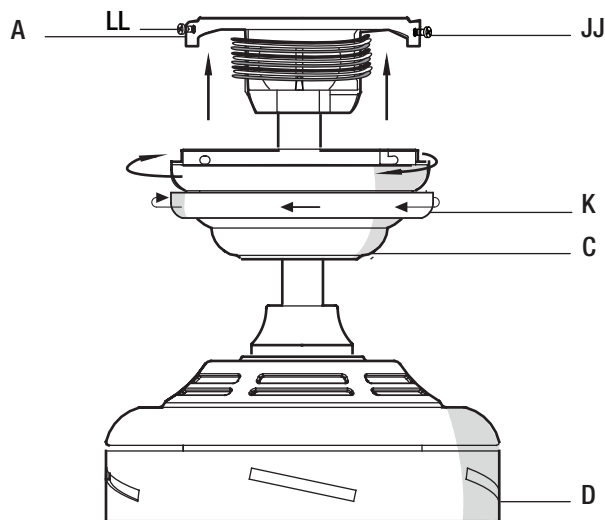


ADVERTENCIA: Cuando uses el ensamblaje del tubo bajante/bola estándar, la pestaña en el aro en la parte inferior del soporte de montaje debe encajar en la ranura de la bola de soporte. Si la pestaña no se asienta correctamente en la ranura, se puede dañar el cableado.



ADVERTENCIA: Las ranuras de cierre de la cubierta del techo solo sirven de ayuda durante la instalación. No dejes de vigilar el ensamblaje del ventilador hasta que los cuatro tornillos de la cubierta estén fijos y firmemente ajustados.

- Alinea las ranuras de cierre de la cubierta de techo (C) con los dos tornillos (LL) del soporte de montaje (A). Alza para enganchar las ranuras y gira de izquierda a derecha para asegurarla en su sitio.
- Ajusta firmemente los dos tornillos de montaje.
- **Instala los dos tornillos de montaje (JJ) (guardados en el paso 1 del ensamblaje, "Preparación para el montaje") en los orificios de la cubierta (C) y aprieta firmemente.**
- Instala el aro de cubierta decorativo (K) alineando las ranuras del aro con los tornillos en la cubierta (C). Gira el aro en sentido de las manecillas del reloj para fijarlo en su lugar.

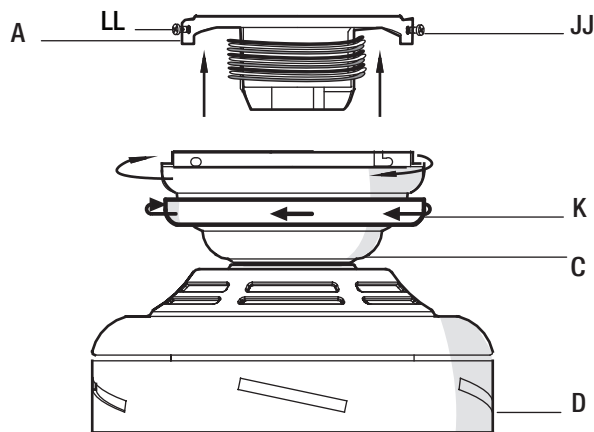


8b Cómo montar el ensamblaje del motor del ventilador (montaje cerca del techo)



ADVERTENCIA: Las ranuras de encaje de la cubierta del techo solo sirven de ayuda durante el montaje. No dejes de vigilar el ensamblaje del ventilador hasta que los cuatro tornillos de la cubierta estén fijos y firmemente ajustados.

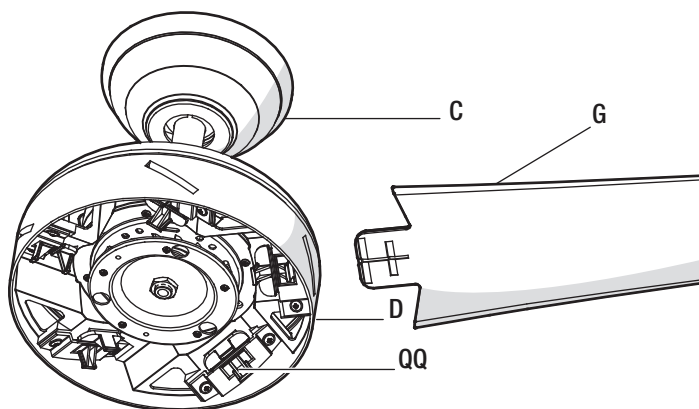
- Alinea las ranuras de cierre de la cubierta de techo (C) con los dos tornillos (LL) del soporte de montaje (A). Alza para enganchar las ranuras y gira de izquierda a derecha para asegurarla en su sitio.
- Ajusta firmemente los dos tornillos de montaje.
- **Instala los dos tornillos de montaje (JJ) (guardados en el paso 1 del ensamblaje, "Preparación para el montaje") en los orificios de la cubierta (C) y aprieta firmemente.**
- Instala el aro de cubierta decorativo (K) alineando las ranuras del aro con los tornillos en la cubierta (C). Gira el aro en sentido de las manecillas del reloj para fijarlo en su lugar.



Ensamblaje - Cómo fijar las aspas del ventilador

9 Cómo fijar las aspas del ventilador

- Fija un aspa (G) en la carcasa del motor del ventilador (D) insertando el aspa (G) dentro de la ranura del lado de la carcasa del motor del ventilador (D) hasta que se detenga. La presilla de traba encajará dos veces cuando el aspa esté correctamente instalada. Asegúrate de que el aspa esté encajada a presión en la presilla de traba (QQ) completamente halando el aspa del ventilador de la carcasa del motor.
- Repite estos pasos para las aspas restantes (G).



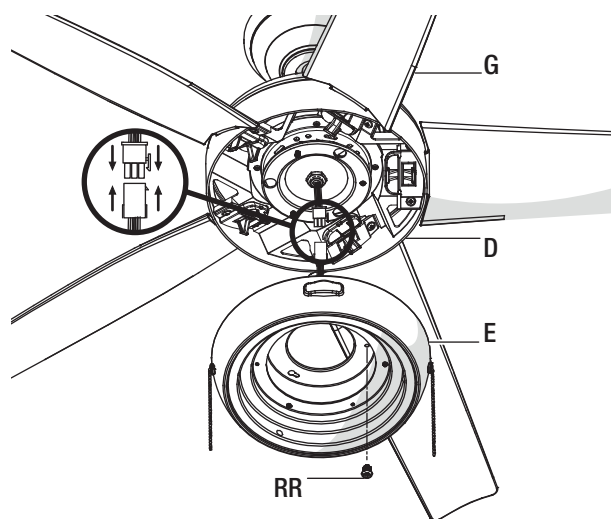
Ensamblaje - Cómo instalar el kit de luces

10 Cómo instalar la carcasa del kit de luces



PRECAUCIÓN: Para disminuir el riesgo de descarga eléctrica, desconecta el circuito de energía del ventilador antes de instalar el kit de luces.

- Quita un tornillo (RR) del soporte negro debajo del ensamblaje del motor del ventilador (D). Afloja pero no quites los otros dos tornillos.
- Une el conector con 9 clavijas que sale de la parte inferior del motor del ventilador con el conector con 9 clavijas de la carcasa del kit de luces (E). Asegúrate de que los conectores encajen por completo.
- Monta la carcasa del kit de luces (E) en el ensamblaje del motor del ventilador (D) y fíjala con los dos tornillos (RR) que aflojaste en el paso 1. Empuja la carcasa del kit de luces (E) hasta enganchar las cabezas de los tornillos en las ranuras y gírala para fijarla. Aprieta firmemente todos los tornillos.

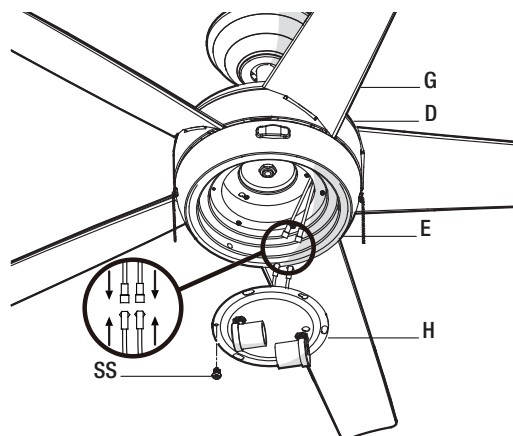


11 Cómo instalar el ensamblaje del soporte del kit de luces



PRECAUCIÓN: Para disminuir el riesgo de descarga eléctrica, desconecta el circuito de energía del ventilador antes de instalar el kit de luces.

- Para colocar el ensamblaje del soporte del kit de luces (H), quita un tornillo (SS) de la carcasa del kit de luces (E) y afloja los otros dos tornillos, pero sin quitarlos.
- Conecta el cable azul que sale por debajo del ensamblaje del motor del ventilador (D) con el cable negro de la parte superior del ensamblaje del soporte del kit de luces (H).
- Conecta el cable blanco que sale por debajo del ensamblaje del motor del ventilador (D) con el cable blanco de la parte superior del ensamblaje del soporte del kit de luces (H).
- Empuja el ensamblaje del soporte del kit de luces (H) hacia la carcasa del kit de luces (E), de manera que los dos tornillos aflojados encajen en las ranuras tipo ojo de cerradura. Gira el ensamblaje del soporte del kit de luces (H) para asegurarlo. Aprieta firmemente todos los tornillos.



Ensamblaje - Cómo instalar el kit de luces (continuación)

12 Cómo instalar las bombillas y el tazón de vidrio

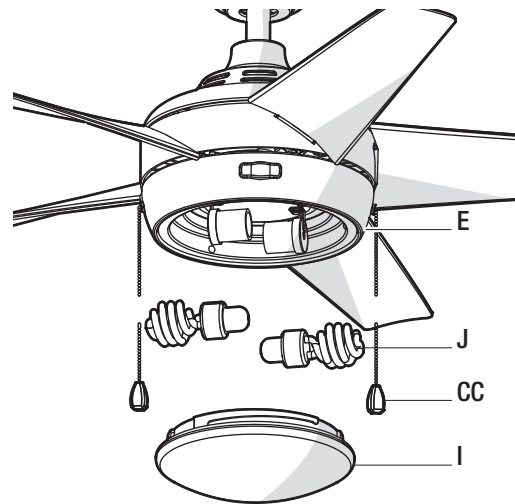


ADVERTENCIA: No aprietes demasiado al instalar la pantalla de vidrio en el ensamblaje del kit de luces. Espera que la pantalla de vidrio se enfríe completamente antes de retirarla.



PRECAUCIÓN: Colocar bombillas de vataje incorrecto hará que las luces del ventilador se apaguen hasta que se instalen las bombillas adecuadas. Apaga las luces y reemplaza las bombillas con otras del vataje correcto

- ❑ Con la electricidad desconectada, instala las dos bombillas fluorescentes (J) (de 14 W como máximo; incluidas) en los portabombillas.
- ❑ Coloca el tazón de vidrio (I) en el ensamblaje del kit de luces (E), alineando las tres áreas planas en la brida superior de el tazón de vidrio (I) con las tres muescas salientes del ensamblaje del kit de luces. Gira el tazón de vidrio (J) en el sentido de las manecillas del reloj hasta que no gire más.
- ❑ Sujeta las extensiones de las cadenas para halar (CC) en las cadenas del ventilador.



Cómo poner en funcionamiento el ventilador



NOTA: Espera a que se detenga el ventilador antes de invertir la dirección de giro de las aspas.

El interruptor de cadena controla las velocidades del ventilador de la siguiente manera:

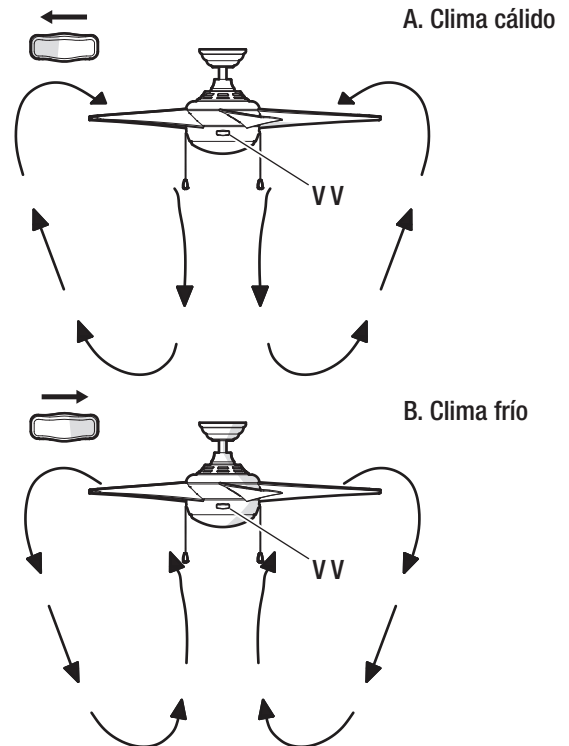
1 vez: alta, 2 veces: media, 3: baja y 4: apagado.

La configuración de velocidad para clima cálido o frío dependen de factores como el tamaño de la habitación, la altura del techo, la cantidad de ventiladores y demás.

El interruptor deslizante (V V) controla la dirección de las aspas: hacia adelante (interruptor hacia la izquierda) o reversa (interruptor hacia la derecha).

A. Clima cálido - (Hacia adelante) Un flujo de aire descendente crea un efecto refrescante. Esto te permite programar el aire acondicionado en una configuración más alta sin afectar tu comodidad.

B. Clima frío - (Reversa) Un flujo de aire hacia arriba mueve el aire cálido lejos del techo. Esto te permite configurar la unidad de calefacción en una configuración más baja sin afectar tu comodidad.



Mantenimiento y limpieza



ADVERTENCIA: Asegúrate de que la electricidad esté desconectada antes de limpiar el ventilador.

- Debido al movimiento natural del ventilador, algunas conexiones pueden aflojarse. Revisa las conexiones de soporte, los soportes y los accesorios de las aspas dos veces al año. Verifica que estén seguros. No es necesario desmontar el ventilador del techo.
- Limpia el ventilador con frecuencia para que luzca como nuevo con el paso de los años. No uses agua al limpiar. Esto puede dañar el motor o la madera, o causar descargas eléctricas. Usa solamente un cepillo suave o un paño sin pelusas para evitar arañar el acabado. El revestimiento está sellado con laca para minimizar la decoloración u opacidad.
- Puedes aplicar a la madera una fina capa de pulimento para muebles para una mayor protección y belleza. Cubre los arañazos pequeños con una leve aplicación de lustrador para calzado.
- No necesitas lubricar el ventilador. El motor tiene cojinetes de bola sellados permanentemente lubricados.

Solución de problemas

Problema	Solución
El ventilador no enciende.	<ul style="list-style-type: none"><input type="checkbox"/> Verifica los fusibles o disyuntores principales y secundarios.<input type="checkbox"/> Verifica las conexiones de cables en línea al ventilador y conexiones de cables del interruptor en la caja de interruptores.<input type="checkbox"/> Revisa la batería del control remoto.<input type="checkbox"/> Asegúrate de estar en el rango normal de 3 a 6 metros.<input type="checkbox"/> Desconecta la electricidad y asegúrate de que coincidan las configuraciones del interruptor en el control remoto y el receptor.
El ventilador hace ruido.	<ul style="list-style-type: none"><input type="checkbox"/> Asegúrate de que todos los tornillos de la carcasa del motor estén ajustados.<input type="checkbox"/> Asegúrate de que los tornillos que unen el soporte de aspa al cuerpo del motor están bien ajustados.<input type="checkbox"/> Asegúrate de que las conexiones de tuerca de cable no choquen unas con otras o con la pared interior de la caja del interruptor.<input type="checkbox"/> Espera que transcurra un período de 24 horas de “adaptación”. La mayoría de los ruidos asociados con un nuevo ventilador desaparecen en ese período.<input type="checkbox"/> Si usas el kit de luces del ventilador de techo, asegúrate de que los tornillos que sujetan el vidrio estén bien colocados. Verifica que las bombillas estén bien aseguradas.<input type="checkbox"/> Asegúrate de que la cubierta esté a una corta distancia del techo. No debe tocar el techo.<input type="checkbox"/> Asegúrate de que la caja eléctrica esté bien segura y de que las almohadillas aislantes de goma se hayan instalado entre la placa de montaje y la caja eléctrica.
El ventilador oscila.	<ul style="list-style-type: none"><input type="checkbox"/> Verifica que todas las aspas y los tornillos de los brazos de aspas estén seguros.<input type="checkbox"/> La mayoría de los problemas de oscilación del ventilador se deben a que las aspas no están a un mismo nivel. Verifica este nivel seleccionando un punto en el techo sobre la punta de una de las aspas. Mide desde un punto en el centro de cada aspa a un punto en el techo. Rota el ventilador hasta que la siguiente aspa esté posicionada para medir, y mide desde el mismo punto en cada aspa hasta el techo. Repite para cada aspa. Las desviaciones de la medición deben estar dentro de un rango de 3 mm. Enciende el ventilador durante diez minutos. Si el ventilador continúa oscilando, comunícate con el servicio al cliente de Hampton Bay y te enviarán un kit de compensación de aspas, sin costo alguno.

HOME DECORATORS COLLECTION

¿Preguntas, problemas o piezas faltantes? Antes de regresar a la tienda,
llama al servicio al cliente de The Home Depot
de lunes a viernes, de 8 a.m. a 6 p.m. (hora estándar del Este)

1-800-986-3460

[HOMEDEPOT.COM/HOMEDECORATORS](https://www.homedepot.com/homedecorators)

Conserva este manual para uso futuro.