

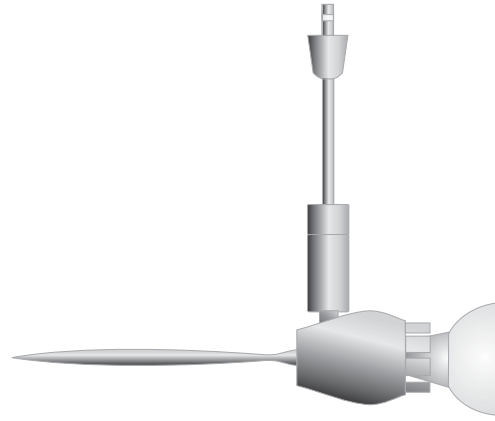
Vent Head

HD475_50FSJ 1.1



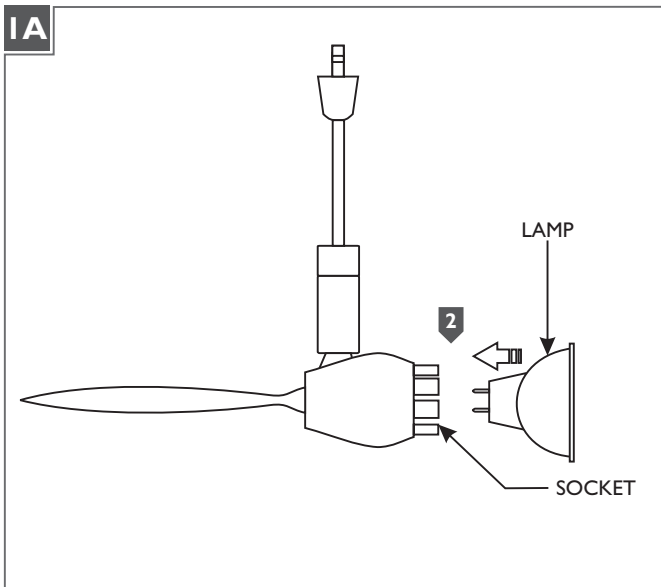
GENERAL PRODUCT INFORMATION:

This product is suitable for indoor dry locations only.



CAUTION - RISK OF FIRE
 This product must be installed in accordance with the applicable installation code by a person familiar with the construction and operation of the product and the hazards involved.
 Use minimum 90°C supply conductors.

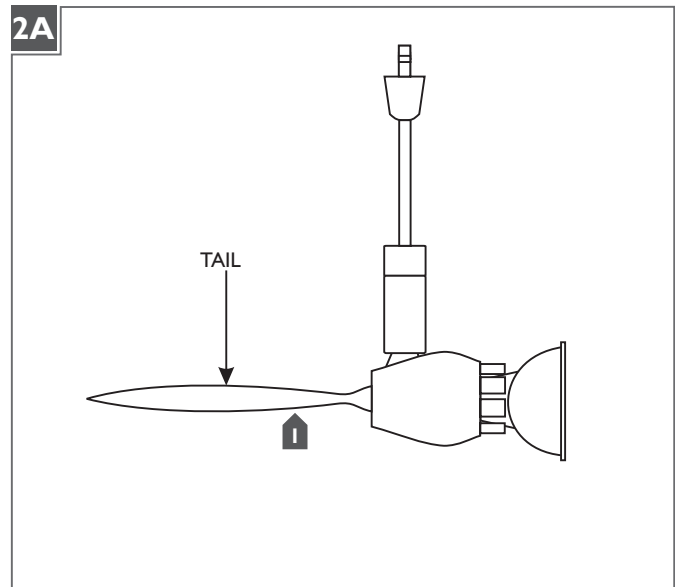
Install the Lamp



NOTE: Use only your fingers and a soft cloth to install the lamp.

Use **MAX 50 Watt** MR16 Front Cover Halogen Lamp 

Remove the Tail (Optional)



1 The tail can be removed for a different aesthetic. Simply unscrew the tail by hand to remove it.

- 1** Align the lamp pins with the socket holes.
- 2** Push the lamp pins completely into the socket holes.

SAVE THESE INSTRUCTIONS!

LBL

7400 Linder Ave, Skokie, IL 60077
800.323.3226 - 847.626.6300

www.lblighting.com

© 2014 LBL Lighting. All rights reserved. The "LBL Lighting" graphic is a registered trademark of LBL Lighting. LBL Lighting reserves the right to change specifications for product improvements without notification.

A Generation Brands Company