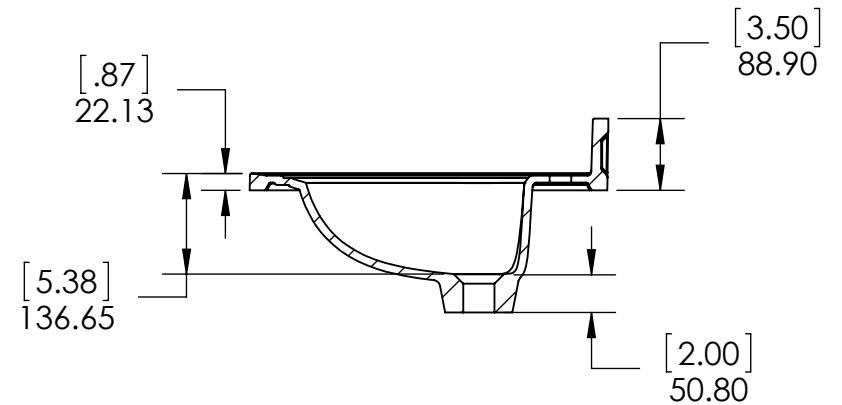
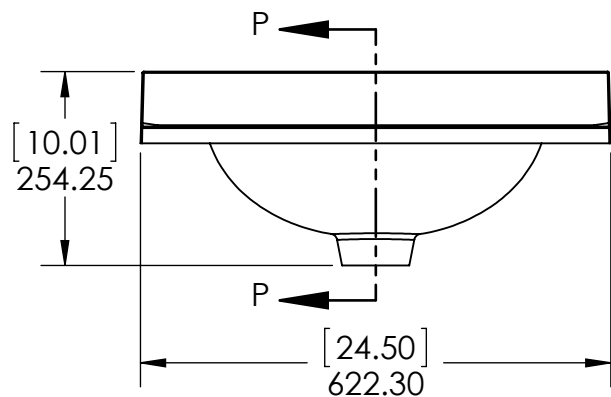
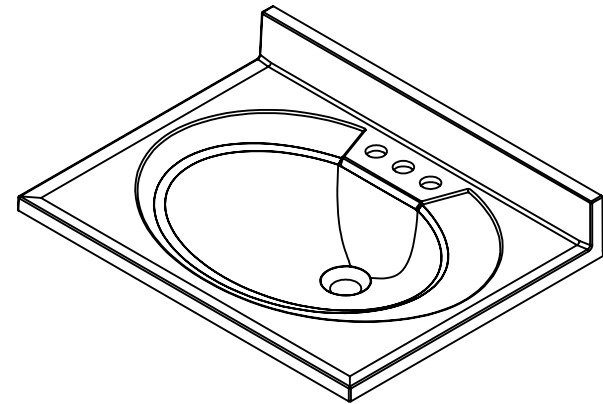
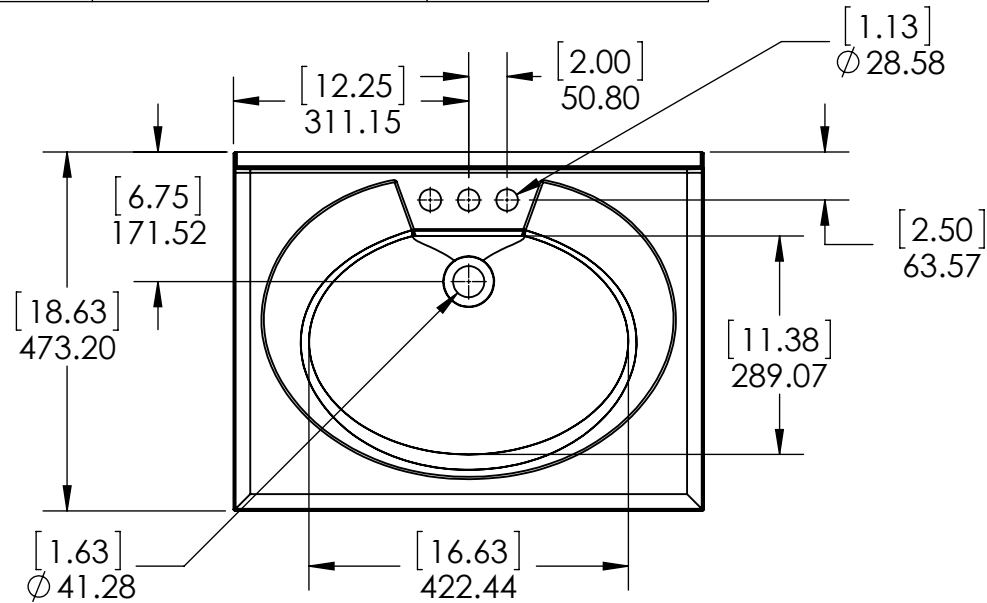

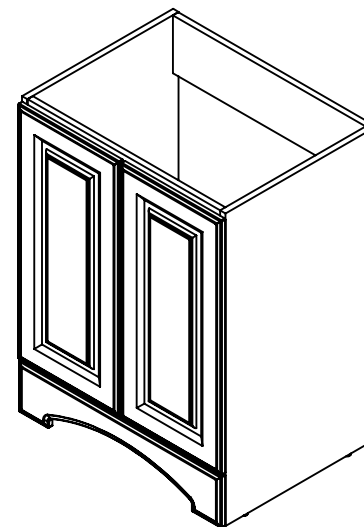
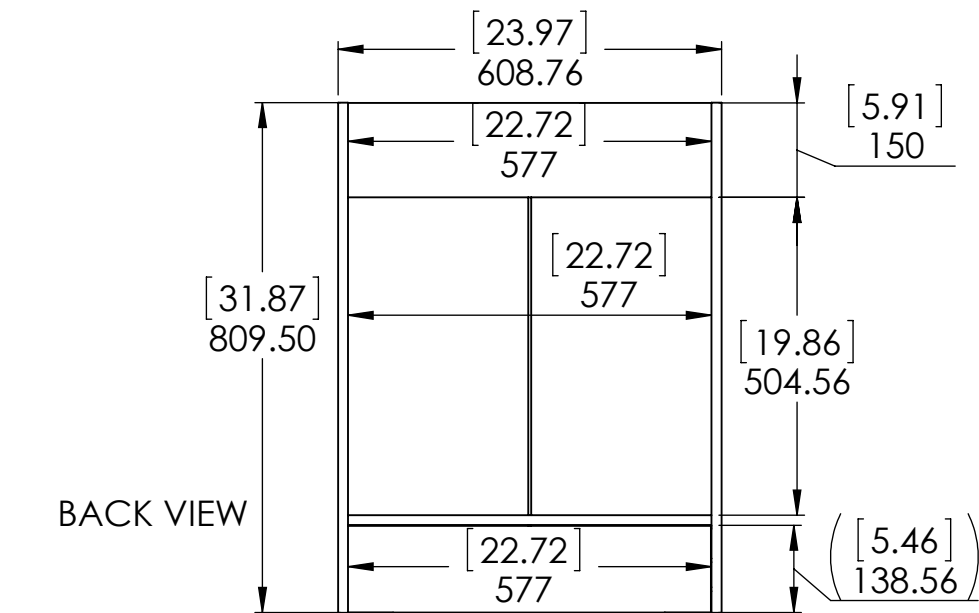
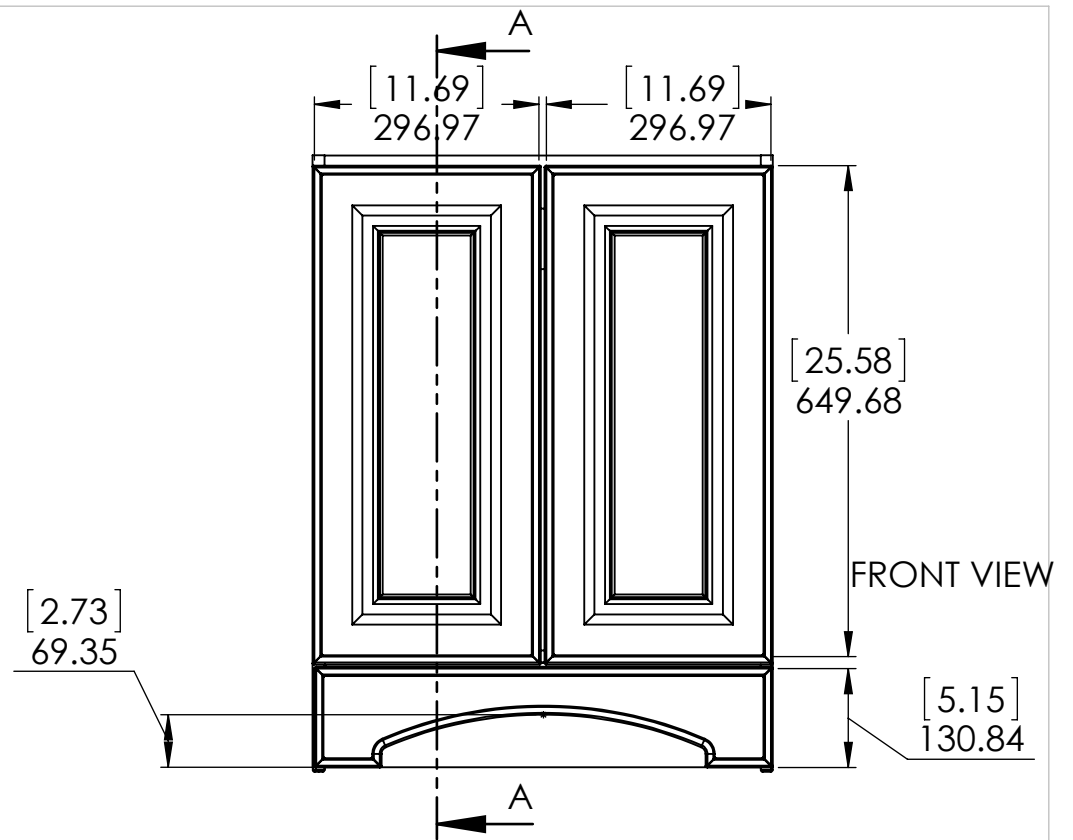
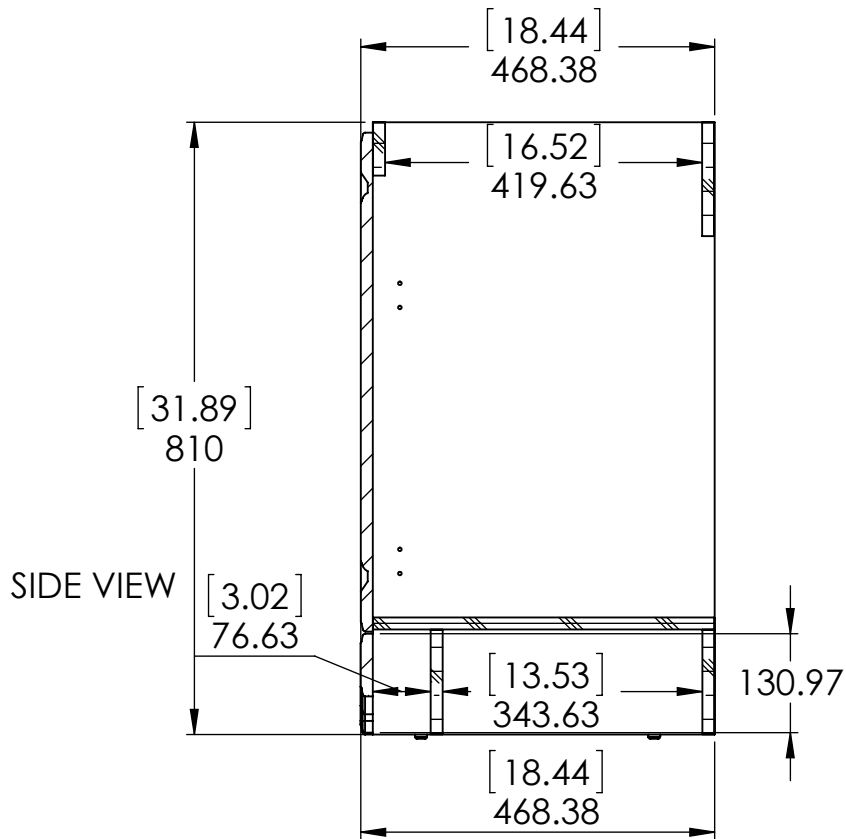


ID	Description	Technology
595043	Newport Blanco 25x19 en Fajilla (Combo)	Solid Color
N25GB-W	Newport 25x19 White Vtop	Solid Color
N2519GB- O	Newport 25x19 Onix Vtop	AB Composite

Rev #	Approved by	Change
1	V. Sanchez	New Model Added
2	R. Rubio	New Model Added
3	O. Razo	New Model Added



PROPRIETARY AND CONFIDENTIAL		UNLESS OTHERWISE SPECIFIED		NAME	DATE		SIZE DWG. NO. <span style="float: right;">SHEET 1 OF 1</span>		
THE INFORMATION CONTAINED IN THIS DRAWING IS THE SOLE PROPERTY OF WOODCRAFTERS. ANY REPRODUCTION IN PART OR AS A WHOLE WITHOUT THE WRITTEN PERMISSION OF WOODCRAFTERS IS PROHIBITED.		DIMENSIONS ARE IN MM. AND (INCHES)		DRAWN	O. Razo			01/16/17	A New port 25 x 19 FG <span style="float: right;">REV: 3</span>
		TOLERANCES ARE		CHECKED	R. Rubio			01/16/17	
		+ 0.125 [3.175] - 0.125 [-3.175]		ENG APPR.	R. Rubio			01/16/17	
		SCALE:1:10		MFG APPR.	C. Leal			01/16/17	



ISOMETRIC VIEW



ITEM:	<b>GB24P2-WH</b>	REV	<b>A</b>
NAME:	<b>Glacier Bay 24 x 18 w/vtop - White</b>		
MATERIAL:	<b>RTF - Laminated Particle Board</b>		
DRW:	JCV	11/15/18	
REV:	WAH	11/15/18	
APP:	WAH	11/15/18	
SCALE 1:18	MODEL:	<b>Glacier Bay 24 White</b>	