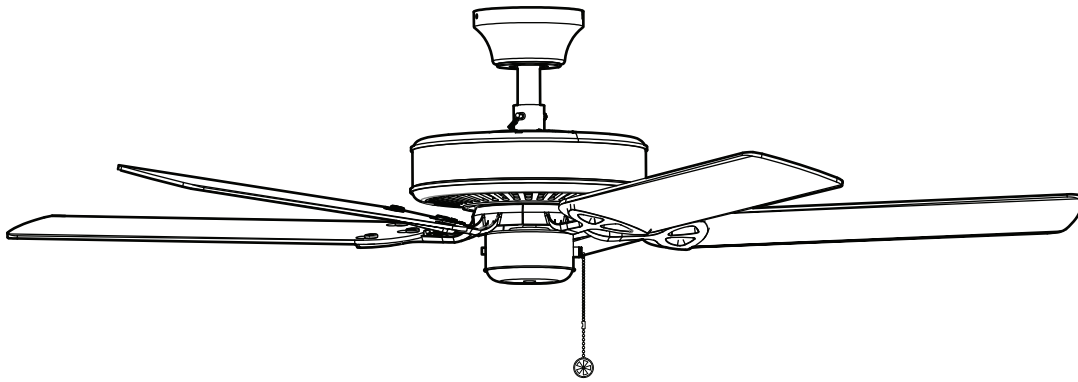


# USE AND CARE GUIDE

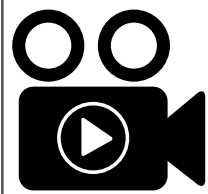
## FARMINGTON 52-INCH CEILING FAN



Questions, problems, missing parts? Before returning to the store,  
call Home Depot Customer Service  
8 a.m. - 7 p.m., EST, Monday-Friday, 9 a.m. - 6 p.m. Saturday

1-877-527-0313

HOMEDEPOT.COM



To view an instructional video on how to install this product:

1. Go to [www.homedepot.com](http://www.homedepot.com) and enter either the Item or Model number, found in the top right corner of the cover of this instruction manual, in the search field.
2. Click on your product from the list of search results and click on the video link in the "Product Overview" section.

### THANK YOU

*We appreciate the trust and confidence you have placed in Home Depot through the purchase of this ceiling fan. We strive to continually create quality products designed to enhance your home. Visit us online to see our full line of products available for your home improvement needs.*

*Thank you for choosing Home Depot!*

# Table of Contents

Table of Contents .....	2	Assembly .....	7
Safety Information .....	2	Operation .....	13
Warranty .....	3	Care and Cleaning .....	14
Pre-Installation .....	3	Troubleshooting .....	14
Installation .....	6		

# Safety Information

## READ AND SAVE THESE INSTRUCTIONS.

1. All wiring must be in accordance with the National Electrical Code ANSI/NFPA 70 and local electrical codes. Electrical installation should be performed by a qualified licensed electrician.
2. The outlet box and support structure must be securely mounted and capable of reliably supporting 35 pounds (15.9 kg). Use only UL Listed outlet boxes marked "Acceptable for Fan Support of 35 pounds (15.9 kg) or less."
3. The fan must be mounted with a minimum of 7 ft (2.1 m) clearance from the trailing edge of the blades to the floor.
4. Do not operate the reversing switch while the fan blades are in motion. You must turn the fan off and stop the blades before you reverse the blade direction.
5. Do not place objects in the path of the blades.
6. After making electrical connections, spliced conductors should be turned upward and pushed carefully up into the outlet box. The wires should be spread apart with the grounded conductor and the equipment-grounding conductor on one side of the outlet box.
7. All setscrews must be checked and retightened where necessary before installation.



**WARNING:** To reduce the risk of personal injury, do not bend the blade brackets (also referred to as flanges) during assembly or after installation. Do not insert objects in the path of the blades.



**WARNING:** Remove the rubber motor stops on the bottom of the fan before installing the blades or testing the motor.



**WARNING:** To reduce the risk of fire or electric shock, do not use this fan with any solid-state speed control device.



**WARNING:** To reduce the risk of fire, electric shock or personal injury, mount to outlet box marked "acceptable for fan support of 35 lbs. (15.9 kg) or less" and use screws provided with the outlet box.



**WARNING:** To avoid possible electrical shock, turn the electricity off at the main fuse box before wiring. If you feel you do not have enough electrical wiring knowledge or experience, contact a licensed electrician.



**CAUTION:** To reduce the risk of personal injury, use only the screws provided with the outlet box.



**CAUTION:** To avoid personal injury or damage to the fan and other items, use caution when working around or cleaning the fan.

# Warranty

The supplier warrants the fan motor to be free from defects in workmanship and material present at time of shipment from the factory for a life-time after the date of purchase by the original purchaser. The supplier also warrants that all other fan parts, excluding any glass or acrylic blades, to be free from defects in workmanship and material at the time of shipment from the factory for a period of two years after the date of purchase by the original purchaser. We agree to correct such defects without charge or at our option replace with a comparable or superior model if the product is returned. To obtain warranty service, you must present a copy of the receipt as proof of purchase. All costs of removing and reinstalling the product are your responsibility. Damage to any part such as by accident or misuse or improper installation or by affixing any accessories, is not covered by this warranty. Because of varying climatic conditions this warranty does not cover any changes in brass finish, including rusting, pitting, corroding, tarnishing, or peeling. Brass finishes of this type give their longest useful life when protected from varying weather conditions. A certain amount of "wobble" is normal and should not be considered a defect. Servicing performed by unauthorized persons shall render the warranty invalid. There is no other express warranty. Home Depot hereby disclaims any and all warranties, including but not limited to those of merchantability and fitness for a particular purpose to the extent permitted by law. The duration of any implied warranty which cannot be disclaimed is limited to the time period as specified in the express warranty. Some states do not allow a limitation on how long an implied warranty lasts, so the above limitation may not apply to you. The retailer shall not be liable for incidental, consequential, or special damages arising out of or in connection with product use or performance except as may otherwise be accorded by law. Some states do not allow the exclusion of incidental or consequential damages, so the above exclusion or limitation may not apply to you. This warranty gives specific legal rights, and you may also have other rights which vary from state to state. This warranty supersedes all prior warranties. Shipping costs for any return of product as part of a claim on the warranty must be paid by the customer.

Contact the Customer Service Team at 1-877-527-0313 or visit [www.HOMEDEPOT.com](http://www.HOMEDEPOT.com).

# Pre-Installation

## SPECIFICATIONS

Size	Speed	Volts	Amps	Watts	RPM	CFM	Net Weight	Gross Weight	Cube Feet
52 in.	Low	120	0.23	10	60	1683	13.67 lb (6.2 kg)	15.40 lb (7.0 kg)	1.50 ft <sup>3</sup> (0.04 m <sup>3</sup> )
	Medium		0.39	30	108	3143			
	High		0.54	64	148	4525			



**NOTE:** These are approximate measures. They do not include the Amps and Wattage used by the light kit.



## TOOLS REQUIRED



Phillips  
screwdriver



Flat blade  
screwdriver



Adjustable  
wrench



Electrical  
tape



Wire  
cutter



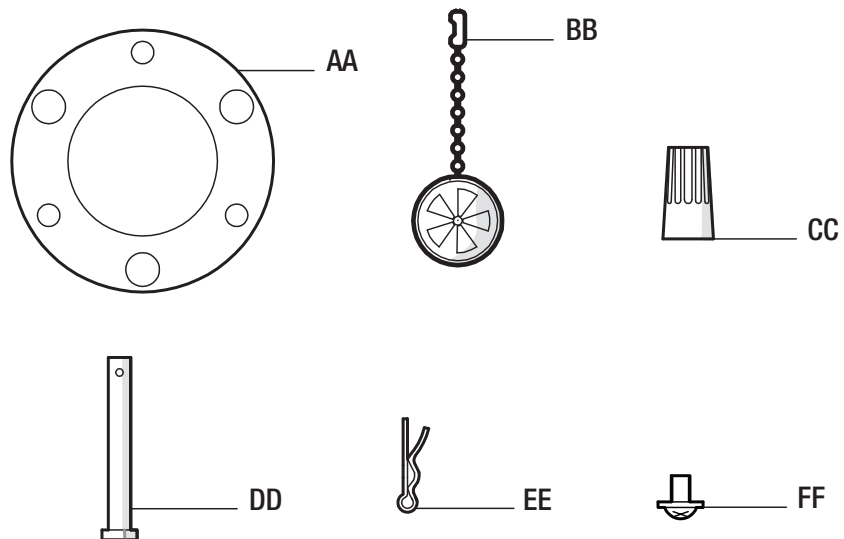
Step ladder

# Pre-Installation (continued)

## HARDWARE INCLUDED



NOTE: Hardware not shown to actual size.

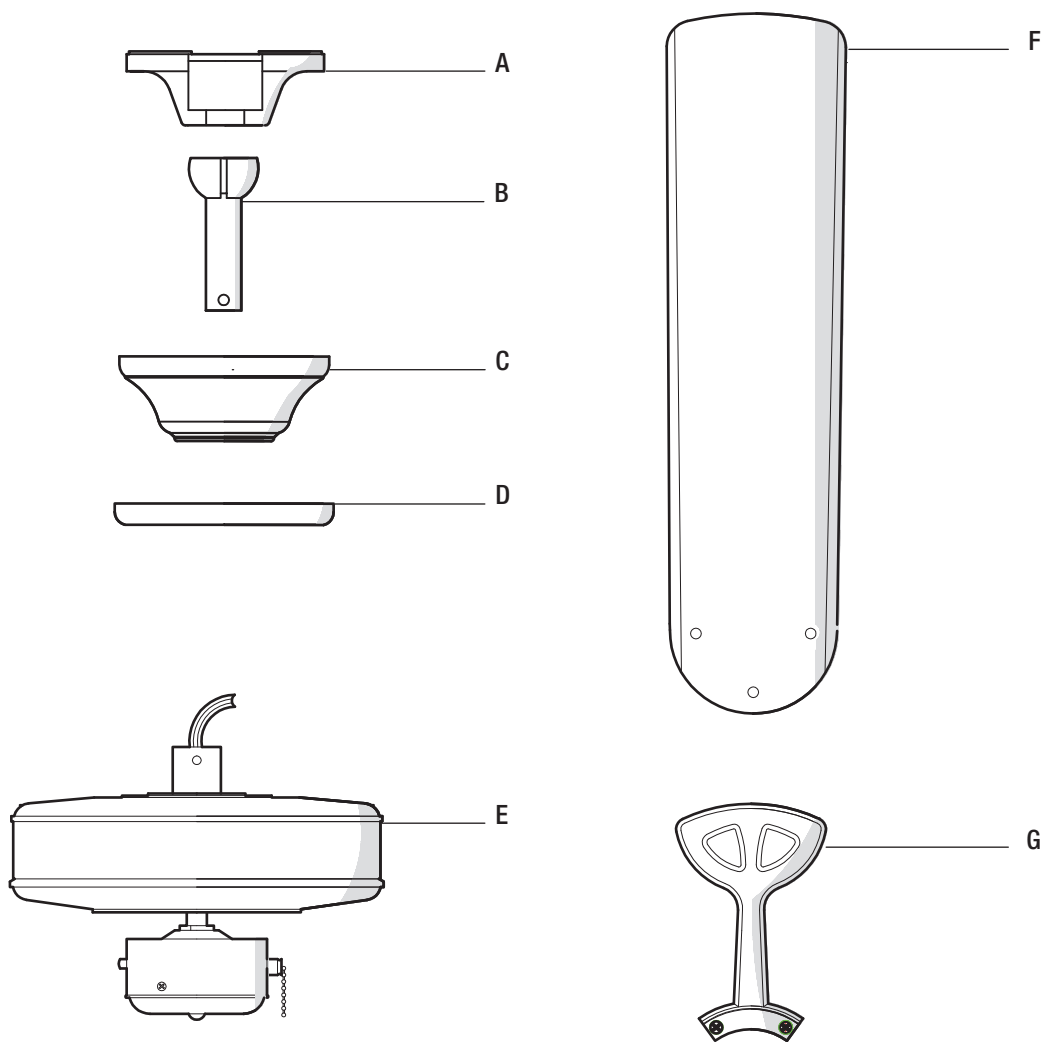


Part	Description	Quantity
AA	Rubber gasket	1
BB	Pull chain	1
CC	Plastic wire connectors	3
DD	Hanger pin	1

Part	Description	Quantity
EE	Locking pin	1
FF	Blade attachment screws	15

# Pre-Installation (continued)

## PACKAGE CONTENTS



Part	Description	Quantity
A	Slide-on mounting bracket (inside canopy)	1
B	Ball/downrod assembly	1
C	Canopy	1
D	Canopy ring	1

Part	Description	Quantity
E	Fan-motor assembly	1
F	Blade	5
G	Blade bracket	5



**IMPORTANT:** This product and/or components are governed by one or more of the following U.S. Patents: 5,947,436; 5,988,580; 6,010,110; 6,046,416, 6,210,117 and other patents pending.

# Installation

## MOUNTING OPTIONS



**WARNING:** To reduce the risk of fire, electric shock or personal injury, mount to outlet box marked "Acceptable for fan support of 35 lbs. (15.9 Kg) or less", and use screws provided with the outlet box. An outlet box commonly used for the support of lighting fixtures may not be acceptable for fan support and may need to be replaced. If in doubt, consult a qualified electrician.

If your ceiling fan does not have an existing UL-listed mounting box, then install one using the following instructions:

- Disconnect the power by removing the fuses or turning off the circuit breakers.
- Secure the outlet box directly to the building structure. Use the appropriate fasteners and materials. The outlet box and its bracing must be able to fully support the weight of the moving fan (at least 35 lbs.). Do not use a plastic outlet box.

The illustrations below show three different ways to mount the outlet box.



**NOTE:** You may need a longer downrod to maintain proper blade clearance when installing on a steep, sloped ceiling. The maximum angle allowable is 30° away from horizontal.



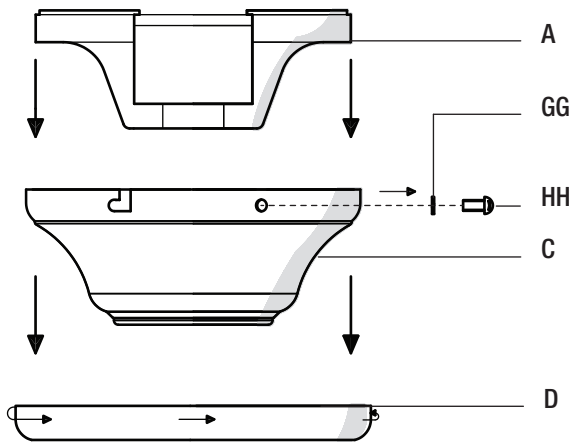
If the canopy touches the downrod, then remove the canopy bottom cover, and turn the canopy 180° before attaching the canopy to the mounting plate.

To hang your fan where there is an existing fixture but no ceiling joist, you may need an installation hanger bar as shown above (available at any Home Depot store).

# Assembly - Standard Ceiling Mount

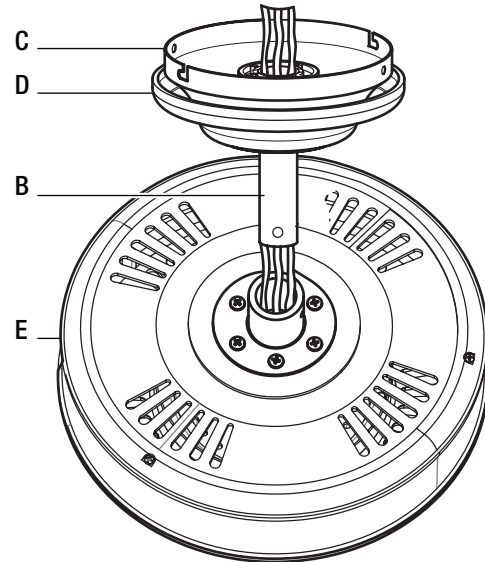
## 1 Preparing for mounting

- Remove the canopy ring (D) from the canopy (C) by turning the ring counterclockwise until it unlocks.
- Remove the mounting bracket (A) from the canopy (C) by loosening the two canopy screws (HH) located in the “L shaped” slots.
- Remove and save the two canopy screws (HH) and lock-washers (GG) in the round holes. This will enable you to remove the mounting bracket (A).



## 2 Routing the wires

- Route the wires exiting the top of the fan motor (E), through the canopy ring (D).
- Make sure the slot openings are on top and route the wires through the canopy (C) and then through the ball/downrod assembly (B).

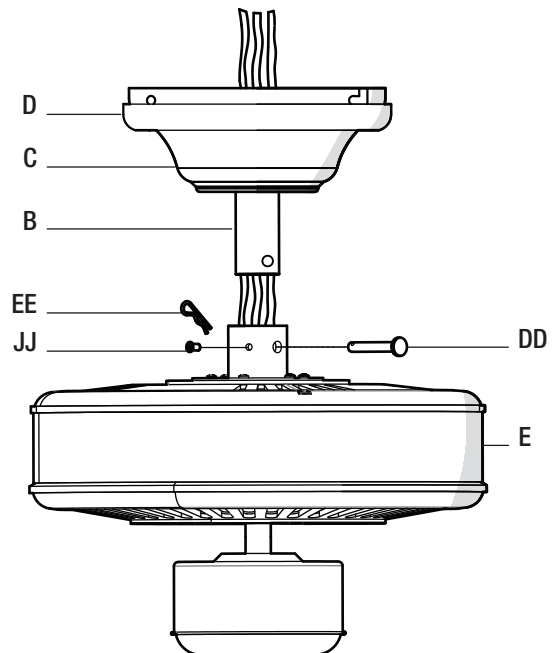


## 3 Assembling the fan



**WARNING:** Failure to properly install the locking pin could result in the fan becoming loose and possibly falling.

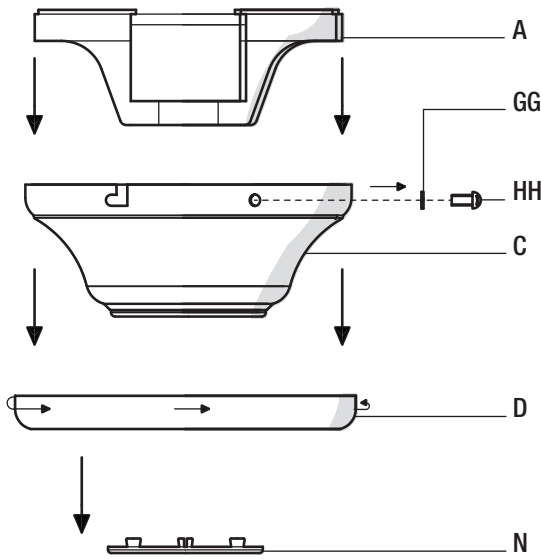
- Loosen, but do not remove, the two (2) setscrews (JJ) on the collar on top of the motor housing (E).
- Align the holes at the bottom of the downrod (B) with the holes in the collar on top of the motor housing (E).
- Carefully insert the hanger pin (DD) through the holes in the collar and downrod (B). Be careful not to jam the hanger pin (DD) against the wiring inside the downrod (B).
- Insert the locking pin (EE) through the hole near the end of the hanger pin (DD) until it snaps into its locked position.
- Re-tighten the two (2) setscrews (JJ) on the collar on top of the motor housing (E).



# Assembly - Close-To-Ceiling Mount

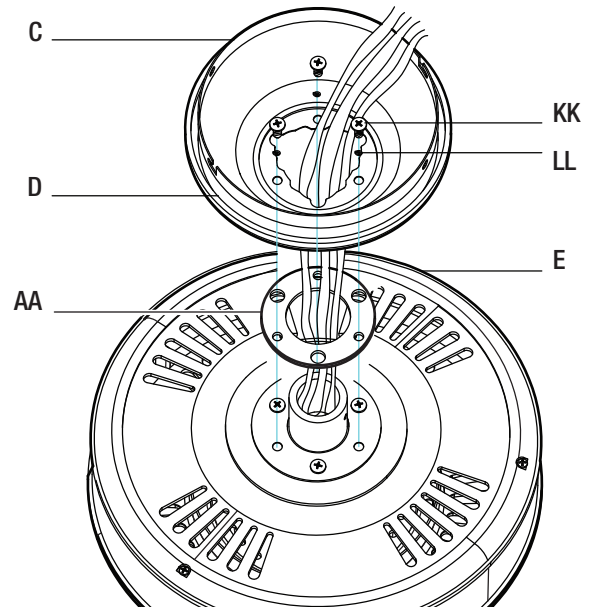
## 1 Close-to-Ceiling Mounting

- Remove canopy ring (D) from the canopy (C) by turning the ring counterclockwise until it unlocks.
- Remove the mounting bracket (A) from the canopy (C) by loosening the two canopy screws (HH) located in the “L shaped” slots.
- Remove and save the two canopy screws (HH) and lock-washers (GG) in the round holes. This will enable you to remove the mounting bracket (A).
- Remove the decorative canopy bottom cover (N) from the canopy (C) by pressing the three studs located inside the bottom of the canopy.



## 2 Routing the wires

- Remove three of the six screws (KK) and lock washers (LL) (every other one) securing the motor collar to the top of the fan motor housing (E).
- Place the rubber gasket (AA) over the remaining three screws, route the wires exiting the top of the fan motor (E) through the canopy ring (D). Make sure the slot opening is on top, then proceed to place the ceiling canopy (C) over the collar at the top of the motor (E).
- Align the mounting holes with the holes in the motor (E) and fasten, using the three screws (KK) and lock washers (LL) removed previously. Tighten the mounting screws securely.



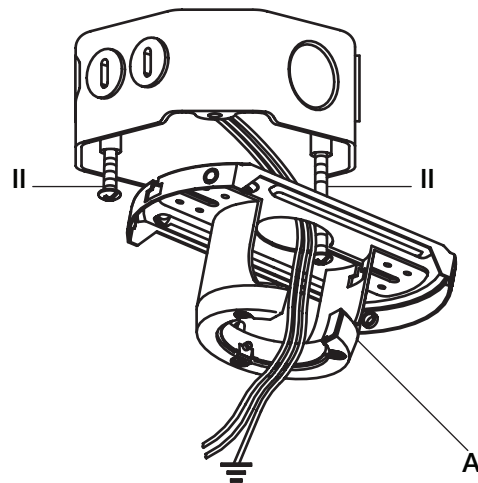
# Assembly - Hanging the Fan

## 1 Attaching the fan to the electrical box



**WARNING:** To reduce the risk of fire, electric shock or personal injury, mount to outlet box marked “Acceptable for fan support of 35lbs. (15.9 Kg) or less”, and use screws provided with the outlet box.

- Pass the 120-Volt supply wires through the center hole in the mounting bracket (A).
- Install the ceiling mounting bracket on the outlet box by sliding the mounting bracket (A) over the two screws (II) provided with the outlet box. If necessary, use leveling washers (not included) between the mounting bracket (A) and the outlet box. Note that the flat side of the mounting bracket (A) is toward the outlet box. When using close-to-ceiling mounting, it is important that the mounting bracket be level.
- Securely tighten the two mounting screws (II).





# Assembly - Hanging the Fan (continued)

## 2 Hanging the fan



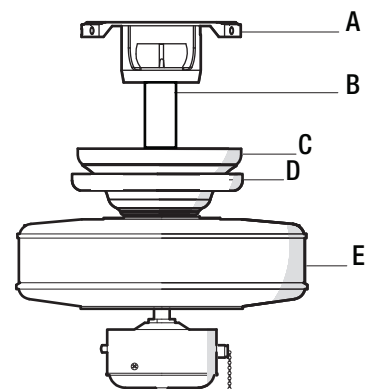
**WARNING:** The hook (XX) is only to balance the fan while making the electrical connections. Failure to hang as shown may result in the hook (XX) breaking, causing the fan to fall. The hook must pass from the inside to the outside of the canopy.



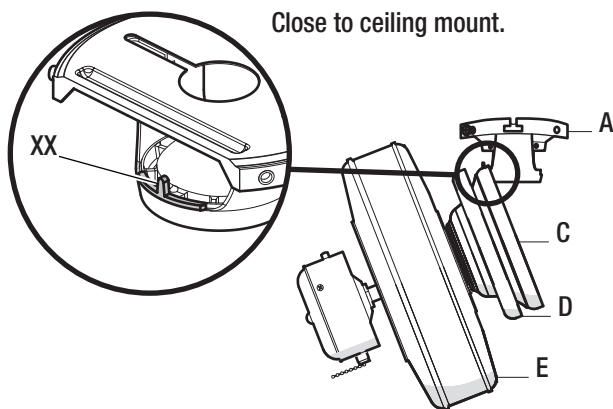
**WARNING:** When hanging the fan on the hook (XX) it is critical that you use one of the non-slotted (round) holes in the canopy (C).

- ❑ Carefully lift the fan-motor assembly (E) up to the slide-on mounting bracket (A).
- ❑ Insert the ball portion of the ball/downrod assembly into the socket of the slide-on mounting bracket.
- ❑ Turn the ball/downrod assembly clockwise until it is seated with the tab of the slide-on mounting bracket aligned with the slot in the ball.
- ❑ If using close-to-ceiling mounting, hang the fan on the hook provided by utilizing one of the holes at the outer rim of the ceiling canopy (C).

Standard mount.



Close to ceiling mount.



# Assembly - Hanging the Fan (continued)

## 3 Making the electrical connection



**WARNING:** Remove the rubber motor stops on the bottom of the fan before installing the blades or testing the motor.

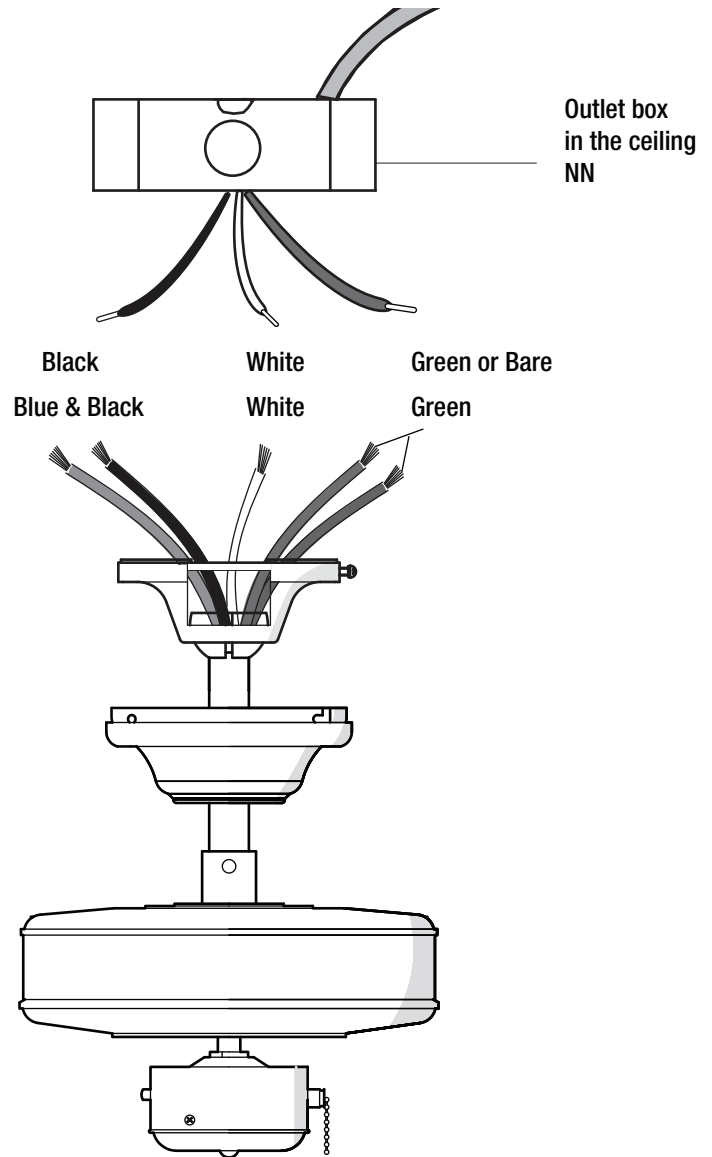


**IMPORTANT:** Use the wire connecting nuts (CC) supplied with your fan. Secure the connectors with electrical tape and ensure there are no loose strands or connections.



**NOTE:** The fan comes with 54 in. lead wires for use with an extended ball/downrod assembly. If using the 4.5 in. ball/downrod assembly (B) provided, you can cut the lead wires to your desired length (no shorter than 12 in.).

- ❑ The fan comes with 54 in. lead wires for use with an extended ball/downrod assembly. If using the 4.5 in. ball/downrod assembly (B) provided, you can cut the lead wires to your desired length (no shorter than 12 in.) This will make extra room in the canopy (C), if you do not wish to cut the wires, you will need to neatly wrap them.
- ❑ Connect the ground conductor of the 120-Volt supply (this may be a bare wire or a wire with green colored insulation) to the green ground lead(s) of the fan. When using standard ceiling mounting, there are two green grounding leads; one from the ceiling mounting bracket and one from the ball/downrod assembly. When using close to ceiling mounting, there is only one green grounding lead from the ceiling mounting bracket since the ball/downrod assembly is not used.
- ❑ Connect the fan motor white wire to the household white wire using a wire connecting nut (CC).
- ❑ Connect the fan motor black and blue wires to the household black wire using a wire connecting nut (CC).
- ❑ Secure each wire connecting nut using electrical tape.
- ❑ Turn the wire connecting nut (CC) upward and push the wiring into the outlet box (NN).



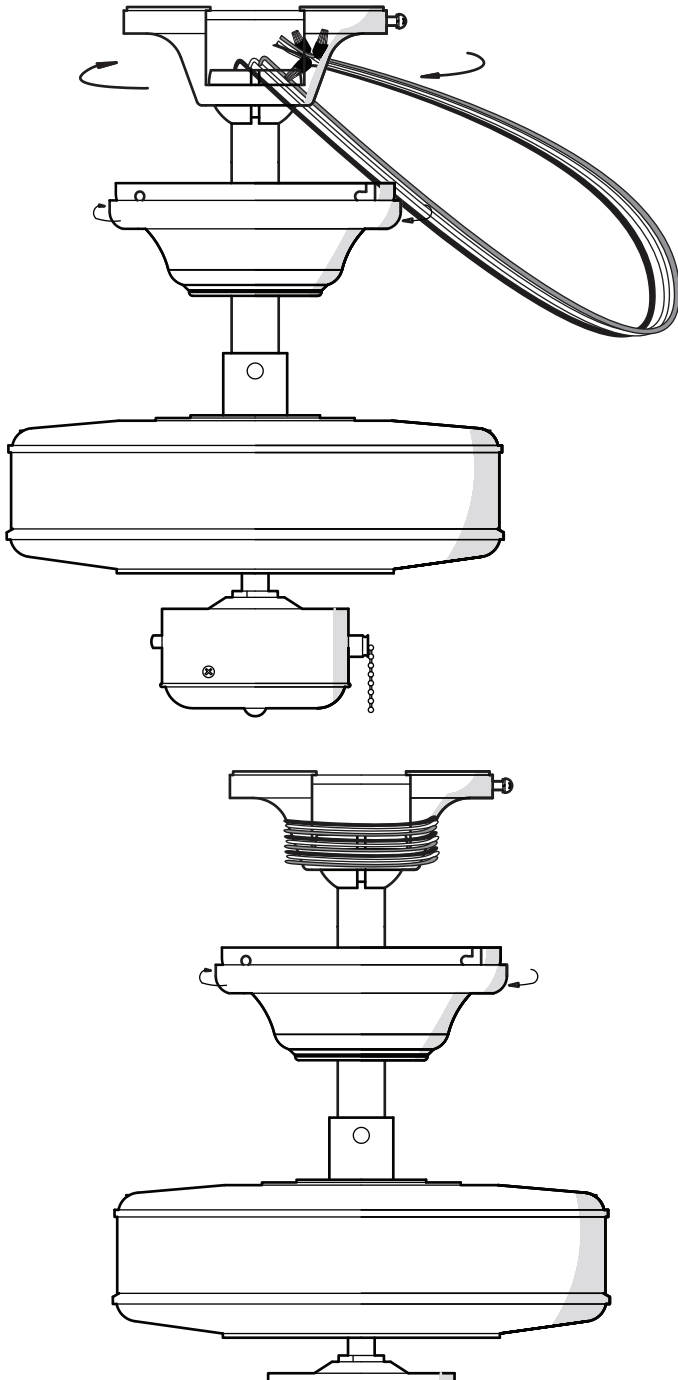
# Assembly - Hanging the Fan (continued)

## 4 Wrapping the extra wire



**NOTE:** Follow this step **ONLY** if you did not cut the extra length off from the wires coming from the ceiling fan.

- Gently wrap the excess wire around the mounting bracket.
- Secure with electrical tape.



## 5 Mounting the fan-motor assembly (standard mount)

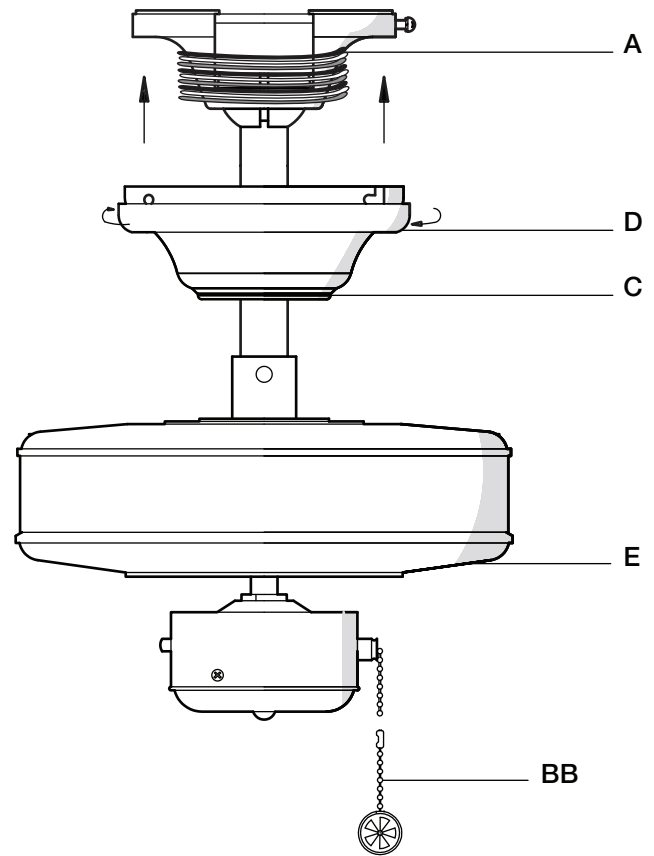


**WARNING:** When using the standard ball/downrod mounting, the tab in the ring at the bottom of the mounting bracket must rest in the groove of the hanger ball. Failure to properly seat the tab in the groove could cause damage to the wiring.



**WARNING:** The locking slots of ceiling canopy are provided only as an aid to mounting. Do not leave the fan assembly unattended until all four canopy screws are engaged and firmly tightened.

- Align the locking slots of the ceiling canopy (C) with the two screws (HH) in the mounting bracket (A). Push up to engage the slots and turn clockwise to lock in place.
- Immediately tighten the two mounting screws firmly.
- Install the two mounting screws (HH) (saved from Assembly Step 1 "Preparing for mounting") into the holes in the canopy (C) and tighten firmly.
- Install the decorative canopy ring (D) by aligning the ring's slots with the screws in the canopy (C). Rotate the ring clockwise to lock in place.
- Install the pull chain extension (BB).



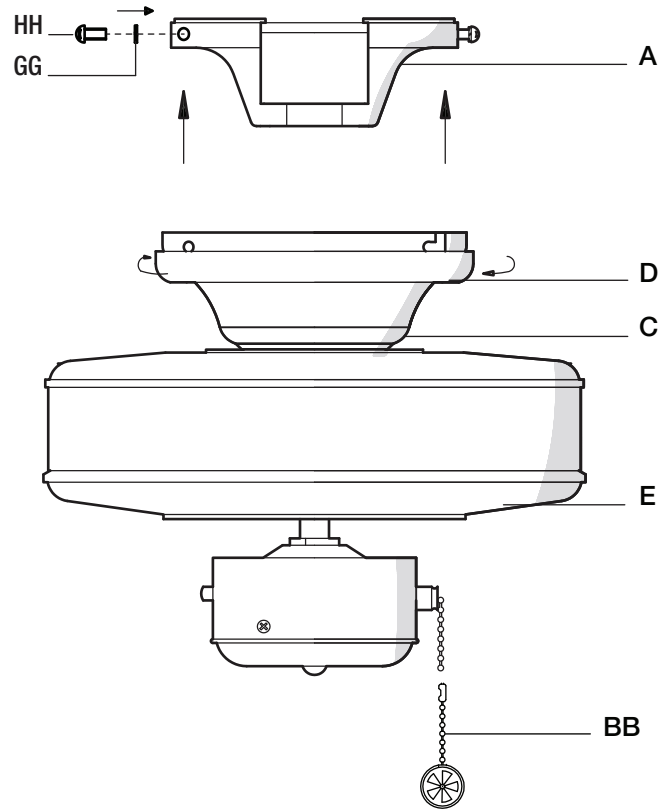
## Assembly - Hanging the Fan (continued)

### 6 Close-to-Ceiling mounting



**WARNING:** The locking slots of the ceiling canopy are provided only as an aid to mounting. Do not leave the fan assembly unattended until all four canopy screws are engaged and firmly tightened.

- Carefully unhook the fan from the mounting bracket (A) and align the locking slots of the ceiling canopy (C) with the two screws in the mounting bracket (A). Push up to engage the slots and turn clockwise to lock the canopy (C) in place.
- Immediately tighten the two mounting screws firmly.
- Install the two mounting screws (HH) and lock-washers (GG) (saved from Assembly Step 1 “Preparing for mounting”) into the holes in the canopy (C) and tighten firmly.
- Install the canopy ring (D) by aligning the ring’s slots with screws in the canopy (C). Rotate the ring clockwise to lock in place.
- Install the pull chain extension (BB).



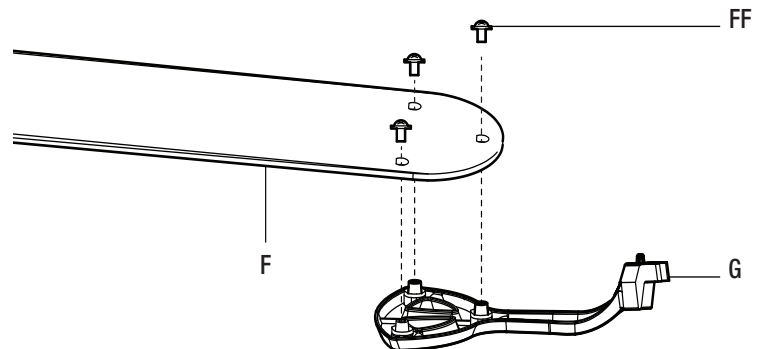
## Assembly - Attaching the Fan Blades

### 7 Attaching the fan blades



**NOTE:** Your fan blades are reversible. Select the blade side finish which best accentuates your decor.

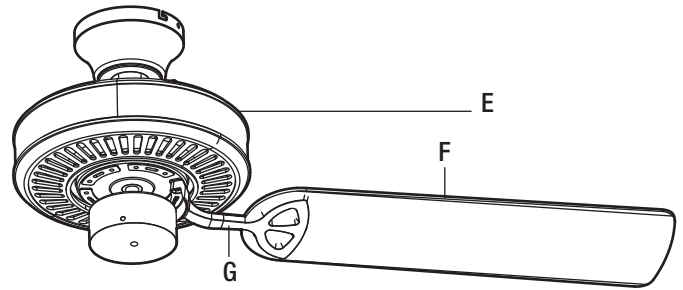
- Attach blade (F) to blade bracket (G) using the screws (FF) provided. Please note that the rubber washers are pre-attached to the blade bracket (G). Insert a screw into the blade bracket (G). Repeat for the two remaining screws (FF).
- Tighten each screw securely.
- Repeat for the remaining blades.



# Assembly - Attaching the blade brackets

## 8 Attaching the blade brackets

- Fasten the blade bracket (G) to the motor (E) by inserting the alignment post into the slot on the bottom of the fan-motor assembly (E) and tightening the motor screws that are pre-assembled to the blade bracket (G).
- Repeat for the remaining four blade brackets (G).



## Operation

Turn on the power and check the operation of the fan. The pull chain controls the fan speeds as follows:

1 pull - High, 2 pulls - Medium, 3 pulls - Low, 4 pulls - off

The appropriate speed settings for warm or cool weather depends on factors such as the room size, ceiling height, and number of fans.

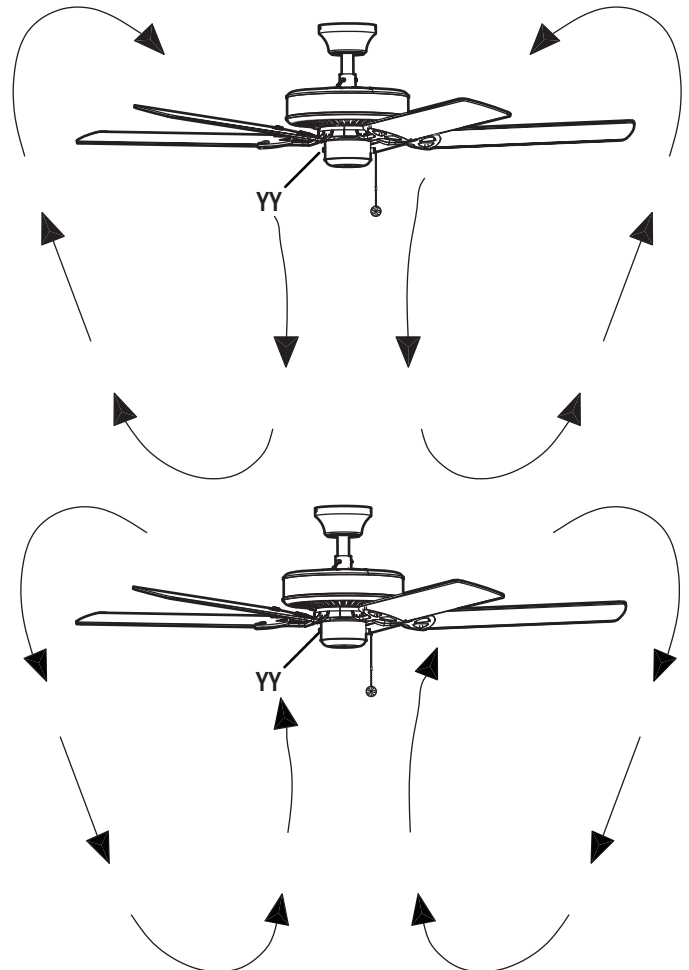
The slide switch (YY) controls the direction of the blades: forward (switch down) or reverse (switch up)



**NOTE:** Wait for the fan to stop before reversing the direction of blade rotation.

**Warm weather - (Forward)** A downward airflow creates a cooling effect. This allows you to set your air conditioner on a warmer setting without affecting your comfort.

**Cool weather - (Reverse)** An upward airflow moves warm air off of the ceiling. This allows you to set your heating unit on a cooler setting without affecting your comfort.



# Care and Cleaning



**WARNING:** Make sure the power is off before cleaning your fan.

- Because of the fan's natural movement, some connections may become loose. Check the support connections, brackets, and blade attachments twice a year. Make sure they are secure. It is not necessary to remove the fan from the ceiling.
- Clean your fan periodically to help maintain its new appearance over the years. Do not use water when cleaning, as this could damage the motor, or the wood, or possibly cause an electrical shock. Use only a soft brush or lint-free cloth to avoid scratching the finish. The plating is sealed with a lacquer to minimize discoloration or tarnishing.
- You can apply a light coat of furniture polish to the wood for additional protection and enhanced beauty. Cover small scratches with a light application of shoe polish.
- You do not need to oil your fan. The motor has permanently-lubricated sealed ball bearings.

# Troubleshooting

Problem	Solution
The fan will not start.	<ul style="list-style-type: none"><li><input type="checkbox"/> Check the main and branch circuit fuses or breakers.</li><li><input type="checkbox"/> Check the line wire connections to the fan and switch wire connections in the switch housing.</li></ul>
The fan is noisy.	<ul style="list-style-type: none"><li><input type="checkbox"/> Ensure all motor housing screws are snug.</li><li><input type="checkbox"/> Ensure the screws that attach the fan blade bracket to the motor hub are tight.</li><li><input type="checkbox"/> Ensure the wire nut connections are not rattling against each other or the interior wall of the switch housing.</li><li><input type="checkbox"/> Allow a 24-hour "breaking in" period. Most noises associated with a new fan disappear during this time.</li><li><input type="checkbox"/> If you are using the Ceiling Fan light kit, ensure the screws securing the glassware are tight. Check that the light bulbs are also secure.</li><li><input type="checkbox"/> Ensure the canopy is a short distance from the ceiling. It should not touch the ceiling.</li><li><input type="checkbox"/> Ensure your outlet box is secure and rubber isolator pads were used between the mounting plate and outlet box.</li></ul>
The fan wobbles.	<ul style="list-style-type: none"><li><input type="checkbox"/> Check that all blade and blade arm screws are secure.</li><li><input type="checkbox"/> Most fan wobble problems are caused when blade levels are unequal. Check this level by selecting a point on the ceiling above the tip of one of the blades. Measure from a point on the center of the blade to the point on the ceiling. Rotate the fan until the next blade is positioned for measurement, and measure from the same point on each blade to the ceiling. Repeat for each blade. Any measurement deviation should be within 1/8 in. Run the fan for ten minutes. If the fan continues to wobble please contact Home Depot Customer Service and a balancing kit will be sent to you at no charge.</li></ul>

Questions, problems, missing parts? Before returning to the store,  
call Home Depot Customer Service  
8 a.m. - 6 p.m., EST, Monday-Friday, 9 a.m. - 6 p.m. EST, Saturday

**1-877-527-0313**

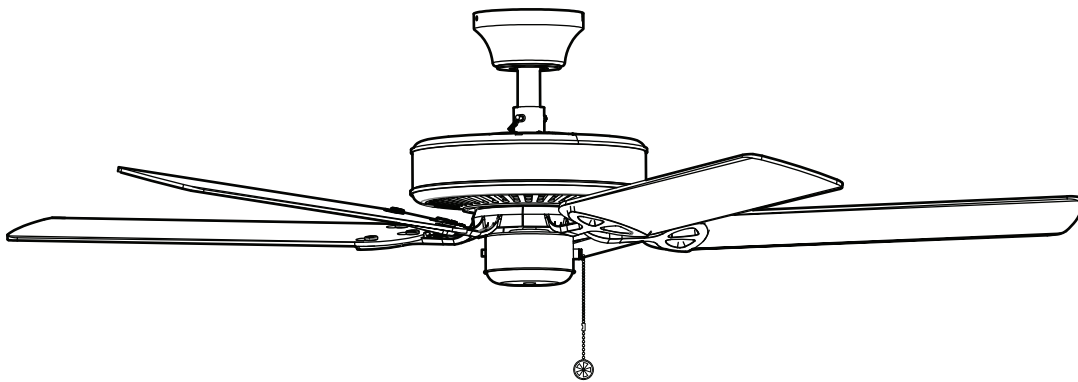
**HOMEDEPOT.COM**

Retain this manual for future use.

---

# GUÍA DE USO Y MANTENIMIENTO

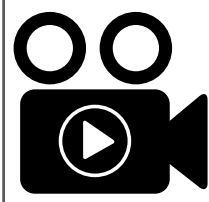
## VENTILADOR DE TECHO FARMINGTON DE 52 PLG



¿Preguntas, problemas o piezas faltantes? Antes de regresar a la tienda,  
llama al servicio al cliente de Home Depot  
de lunes a viernes, de 8:00 a.m. a 7:00 p.m. (hora estándar del Este),  
y los sábados de 9:00 a.m. a 6:00 p.m. (hora estándar del Este)

1-877-527-0313

HOMEDEPOT.COM



Para ver un video instructivo sobre cómo instalar este producto:

1. Ir a [www.homedepot.com](http://www.homedepot.com) e introduzca el artículo o el número de modelo, que se encuentra en la part superior esquina derecha de la portada de este manual de instrucciones, en el campo de búsqueda.
2. Haga clic en su producto de la lista de resultados de búsqueda y hacer clic en el enlace del video en el la sección "Descripción del producto".

### GRACIAS

*Apreciamos la confianza que has depositado en Home Depot al comprar este ventilador de techo. Nos esforzamos para crear constantemente productos de calidad diseñados para tu hogar. Visítanos por Internet para ver nuestra línea completa de productos disponibles para las necesidades de mejoras de tu hogar.*

*¡Gracias por elegir Home Depot!*



# Tabla de contenido

Tabla de contenido .....	2	Ensamblaje.....	7
Información de seguridad.....	2	Funcionamiento .....	13
Garantía .....	3	Mantenimiento y limpieza.....	14
Preinstalación .....	3	Solución de problemas .....	14
Instalación.....	6		

# Información de seguridad

## LEE Y GUARDA ESTAS INSTRUCCIONES.

1. Todo el cableado debe cumplir con el Código Nacional de Electricidad ANSI/NFPA 70 y con los códigos locales de electricidad. La instalación eléctrica debe ser realizada por un profesional calificado y con licencia.
2. La caja eléctrica y estructura de soporte deben montarse de forma segura y tener capacidad para sostener de manera confiable 35 lb (15.9 kg). Usa solamente cajas eléctricas aprobadas por UL marcadas como “apropiada para sostener ventiladores de 35 lb (15.9 kg) o menos”.
3. El ventilador debe ir montado con un mínimo de 2.1 m de separación entre el borde trasero de las aspas y el piso.
4. Do not operate the reversing switch while the fan blades are in motion. You must turn the fan off and stop the blades before you reverse the blade direction.
5. Do not place objects in the path of the blades.
6. After making electrical connections, spliced conductors should be turned upward and pushed carefully up into the outlet box. The wires should be spread apart with the grounded conductor and the equipment-grounding conductor on one side of the outlet box.
7. All setscrews must be checked and retightened where necessary before installation.



**ADVERTENCIA:** Para reducir el riesgo de lesiones personales, no dobles los soportes de las aspas (también llamados “bridas”) durante o después de la instalación. No coloques objetos en la trayectoria de las aspas.



**ADVERTENCIA:** Quita los tapones de goma del motor en la parte inferior del ventilador antes de instalar las aspas o de verificar el motor.



**ADVERTENCIA:** Para reducir el riesgo de incendio o descarga eléctrica, no utilices este ventilador con ningún dispositivo de control de velocidad de estado sólido.



**ADVERTENCIA:** Para reducir el riesgo de incendio, descarga eléctrica u otras lesiones, instala sólo en una caja eléctrica clasificada como “apropiada para sostener ventiladores de 35 lb (15.9 kg) o menos” y usa sólo los tornillos incluidos con la caja eléctrica.



**ADVERTENCIA:** Para evitar una posible descarga eléctrica, apaga la electricidad en la caja principal de fusibles antes de instalar el cableado. Si crees que no tienes suficiente conocimiento o experiencia sobre cableado eléctrico, contacta a un electricista certificado.



**PRECAUCIÓN:** Para reducir el riesgo de lesiones, usa sólo los tornillos incluidos con la caja eléctrica.



**PRECAUCIÓN:** Para evitar lesiones personales o daños al ventilador y otros artículos, ten cuidado al limpiar o trabajar cerca del ventilador.

# Garantía

El proveedor garantiza de por vida, a partir de la fecha en que el comprador original lo adquiere, que el motor del ventilador no presenta defectos de fabricación ni de materiales al momento en que es enviado desde la fábrica. El proveedor también garantiza por un período de dos años, a partir de la fecha de compra por el comprador original, que ninguna de las demás piezas del ventilador, sin incluir las aspas de vidrio o acrílico, presenta defectos de fabricación o de material en el momento de su salida de la fábrica. Acordamos reparar todos los defectos del tipo antes mencionado sin cargo alguno o, a nuestra discreción, reemplazar el producto por un modelo de igual calidad o superior si el producto es devuelto. Para obtener servicio de garantía, debe presentar una copia del recibo como comprobante de compra. Todos los costos de retiro y reinstalación del producto están a su cargo. No están cubiertos bajo esta garantía daños a ninguna de las piezas como resultado de accidentes, instalación o uso incorrectos o debido a la instalación de cualquier accesorio. Debido a que las condiciones climáticas pueden variar, esta garantía no cubre ningún cambio en el acabado en bronce, incluyendo óxido, perforación, corrosión, manchas o descascamiento. Los acabados en bronce de este tipo tienen una vida útil más prolongada cuando se los protege de las condiciones climáticas cambiantes. Es normal cierta "oscilación" y no se considerará un defecto. Cualquier servicio realizado por personal no autorizado invalidará la garantía. No existe ninguna otra garantía expresa. Mediante la presente, Home Depot se exime de cualquier garantía, incluyendo, entre otras, aquellas de comercialización e idoneidad para un fin particular, de acuerdo con lo contemplado por la ley. La duración de cualquier garantía implícita que no se pueda eximir está limitada al período de tiempo especificado en la garantía explícita. Algunos estados no permiten una limitación en la duración de la garantía; por consiguiente, la limitación anterior puede no aplicarse a su caso. El minorista no será responsable por daños directos, indirectos o especiales que resulten o deriven del uso o rendimiento del producto, excepto en casos en que lo estipule la ley. Algunos estados no permiten la exclusión o limitación de daños directos o indirectos, por lo que la limitación o exclusión anterior podría no aplicarse a su caso. Esta garantía le otorga derechos legales específicos y es posible que también tenga otros derechos que varían de un estado a otro. Esta garantía sustituye todas las garantías anteriores. Los costos de envío de cualquier devolución de productos hecha como parte de una reclamación de garantía están a cargo del cliente.

Comuníquese con el equipo de servicio al cliente al 1-877-527-0313 o visite [www.HOMEDEPOT.com](http://www.HOMEDEPOT.com).

# Preinstalación

## ESPECIFICACIONES

Tamaño	Velocidad	Voltios	Amperes	Watts	RPM	CFM	Peso neto	Peso bruto	Pies cúbicos
52 plg	Baja	120	0.23	10	60	1683	13.67 lb (6.2 kg)	15.40 lb (7.0 kg)	1.50 ft <sup>3</sup> (0.04 m <sup>3</sup> )
	Media		0.39	30	108	3143			
	Alta		0.54	64	148	4525			



**NOTA:** Estas medidas son aproximadas. No incluyen ni el amperaje ni el vataje consumido por el kit de luces.



## HERRAMIENTAS NECESARIAS



Destornillador  
Phillips



Destornillador  
plano



Llave  
ajustable



Cinta de  
electricista



Cortacables



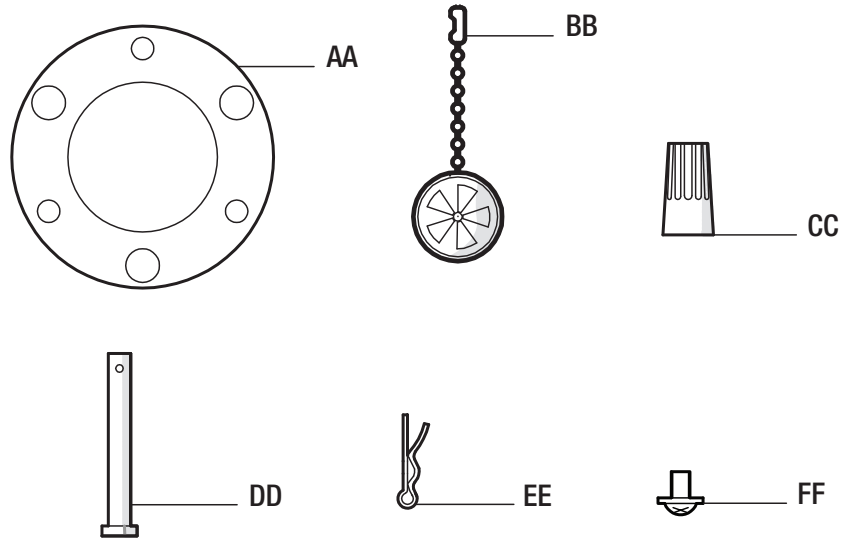
Escalera de tijera

# Preinstalación (continuación)

## HERRAJES INCLUIDOS



NOTA: No se muestra el tamaño real de los herrajes.

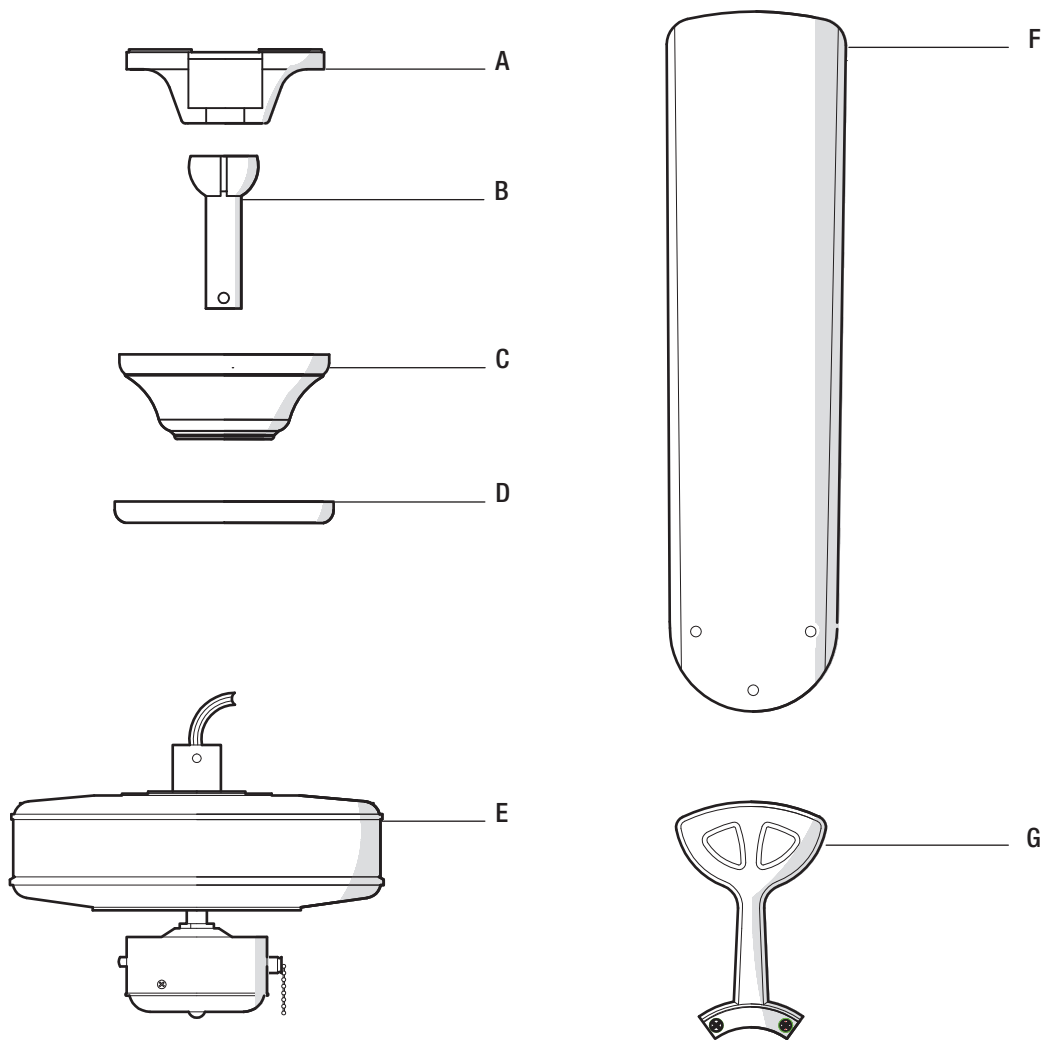


Pieza	Descripción	Cantidad
AA	Junta de goma	1
BB	Interruptor de cadena	1
CC	Conectores plásticos para cables	3
DD	Pasador de soporte	1

Pieza	Descripción	Cantidad
EE	Pasador de cierre	1
FF	Tornillos para montaje de aspas	15

# Preinstalación (continuación)

## CONTENIDO DEL PAQUETE



Pieza	Descripción	Cantidad
A	Soporte de montaje deslizante (dentro de la cubierta)	1
B	Ensamblaje de tubo bajante/bola	1
C	Cubierta	1
D	Anillo de la cubierta	1

Pieza	Descripción	Cantidad
E	Ensamblaje del motor del ventilador	1
F	Aspa	5
G	Soporte de aspa	5



**IMPORTANTE:** Este producto o sus componentes están protegidos por una o más de las siguientes patentes de los EE. UU.: 5,947,436; 5,988,580; 6,010,110; 6,046,416, 6,210,117 y otras patentes pendientes.

# Instalación

## OPCIONES DE MONTAJE

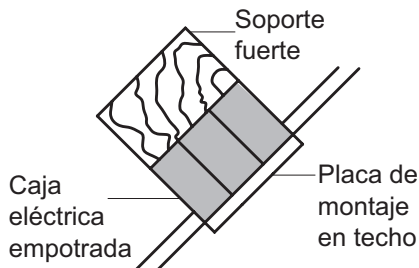
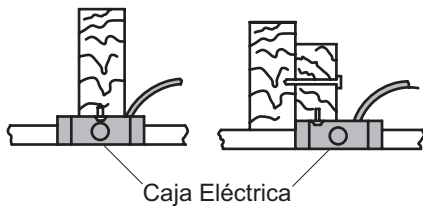
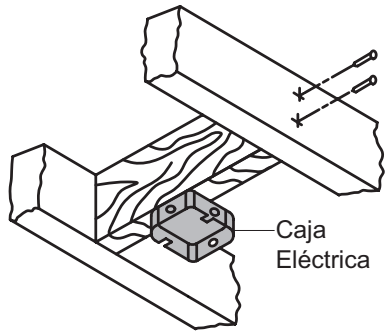


**ADVERTENCIA:** Para reducir el riesgo de incendio, descarga eléctrica u otras lesiones, instala sólo en una caja eléctrica clasificada como "apropiada para sostener ventiladores de 35 lb (15.9 kg) o menos", y usa sólo los tornillos incluidos con la caja eléctrica. Las cajas eléctricas utilizadas comúnmente para el soporte de lámparas pueden no servir como soporte de ventilador y tal vez deban reemplazarse. En caso de duda, consulta a un electricista calificado.

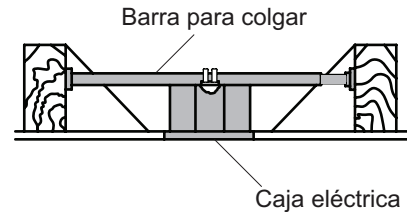
Si tu ventilador de techo no tiene una caja de montaje aprobada por UL, instala una siguiendo las instrucciones a continuación:

- ❑ Desconecta la energía retirando los fusibles o apagando los cortacircuitos.
- ❑ Asegura la caja eléctrica directamente a la estructura de la edificación. Usa sujetadores y materiales apropiados. La caja eléctrica y su soporte deben sostener completamente el peso en movimiento del ventilador (al menos 35 lb). No uses una caja eléctrica de plástico.

Las ilustraciones a continuación muestran tres formas distintas de montar la caja eléctrica.



**NOTA:** Tal vez necesites un tubo bajante más largo para mantener la altura mínima adecuada de las aspas, al instalar el ventilador en un techo inclinado. El ángulo máximo permitido es de 30° de la posición horizontal.



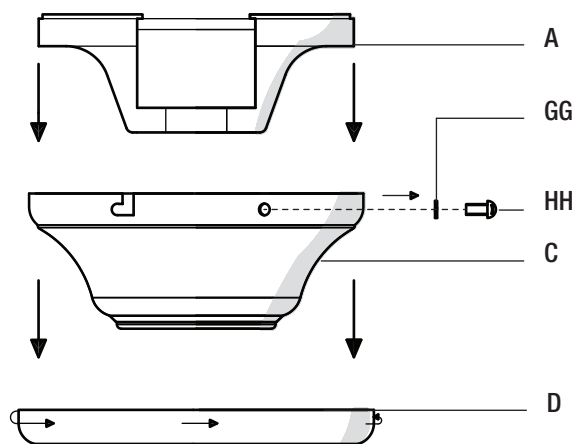
Si la cubierta toca el tubo bajante, retira la tapa inferior de la cubierta y gira la cubierta 180° antes de fijarla a la placa de montaje.

Para colgar el ventilador donde ya haya una lámpara pero ninguna viga de techo, tal vez necesites una barra de instalación colgante como se muestra arriba (disponible en cualquier tienda de The Home Depot).

# Ensamblaje - Montaje estándar en techo

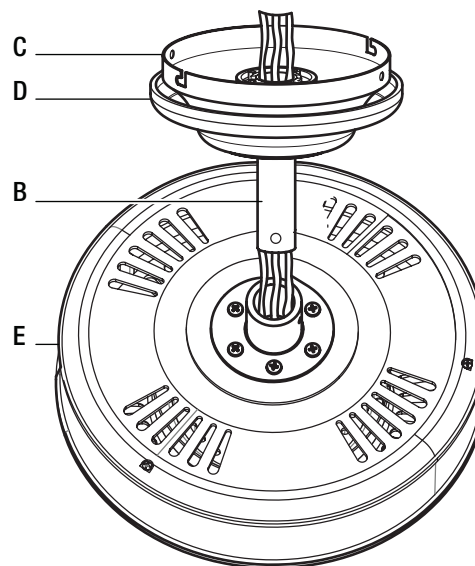
## 1 Preparación para el montaje

- ❑ Retira el aro de cubierta (D) de la cubierta (C), girándolo en sentido contrario a las manecillas del reloj hasta soltarlo.
- ❑ Retira el soporte de montaje (A) de la cubierta (C) aflojando los dos tornillos de la cubierta (HH) ubicados en las ranuras en forma de L.
- ❑ Quita y guarda los dos tornillos de la cubierta (HH) y las arandelas de seguridad (GG) en los orificios redondos. Esto te permitirá retirar el soporte de montaje (A).



## 2 Disposición de los cables

- ❑ Inserta los cables que salen por la parte superior del motor del ventilador (E) a través del aro de la cubierta (D).
- ❑ Asegúrate de que las ranuras estén en la parte superior y pasa los cables a través de la cubierta (C) y luego a través del ensamblaje del tubo bajante/bola (B).

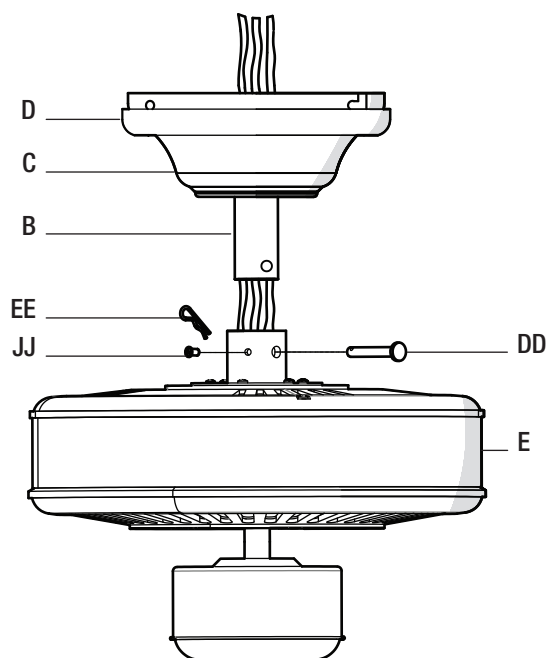


## 3 Cómo ensamblar el ventilador



**ADVERTENCIA:** Si no instalas correctamente el pasador de cierre es posible que el ventilador se afloje y caiga.

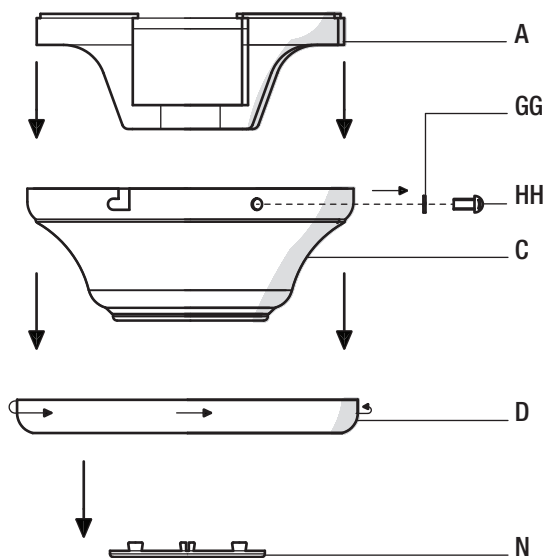
- ❑ Afloja, sin quitar, los dos (2) tornillos de fijación (JJ) del collarín ubicados en la parte superior de la carcasa de motor (E).
- ❑ Alinea los orificios en la parte inferior del tubo bajante (B) con los orificios en el collarín de la parte superior de la carcasa de motor (E).
- ❑ Inserta con cuidado el pasador de soporte (DD) a través de los orificios del collarín y del tubo bajante (B). Ten cuidado de no forzar el pasador de soporte (DD) contra el cableado dentro del tubo bajante (B).
- ❑ Inserta el pasador de cierre (EE) en el orificio cercano al extremo del pasador de soporte (DD) hasta que quede encajado en su posición.
- ❑ Vuelve a apretar los dos (2) tornillos de fijación (JJ) del collarín ubicado en la parte superior de la carcasa del motor (E).



# Ensamblaje – Montaje cerca del techo

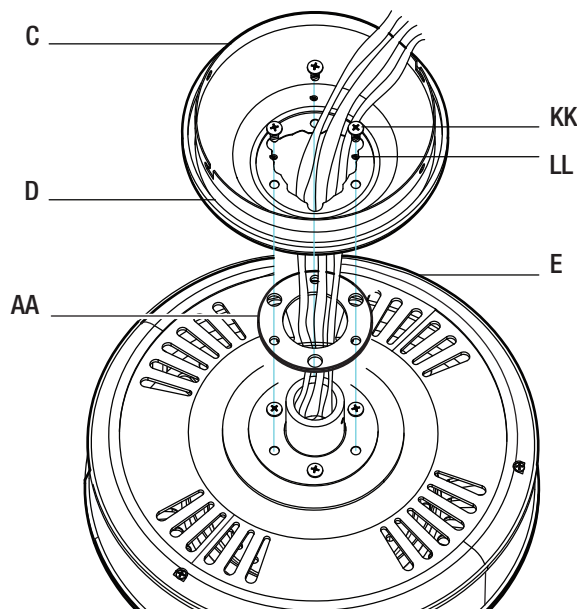
## 1 Montaje cerca del techo

- ❑ Retira el aro de cubierta (D) de la cubierta (C), girándolo en sentido contrario a las manecillas del reloj hasta soltarlo.
- ❑ Retira el soporte de montaje (A) de la cubierta (C) aflojando los dos tornillos de la cubierta (HH) ubicados en las ranuras en forma de L.
- ❑ Quita y guarda los dos tornillos de la cubierta (HH) y las arandelas de seguridad (GG) en los orificios redondos. Esto te permitirá retirar el soporte de montaje (A).
- ❑ Retira la cubierta inferior decorativa (N) de la cubierta (C) oprimiendo los tres pernos ubicados en el interior de la parte inferior de la cubierta.



## 2 Disposición de los cables

- ❑ Retira tres de los seis tornillos (KK) y arandelas de seguridad (LL) que sujetan el collarín del motor a la parte superior de la carcasa del motor del ventilador (E).
- ❑ Coloca la junta de goma (AA) sobre los otros tres tornillos, inserta los cables que salen por la parte superior del motor de ventilador (E) a través del aro de la cubierta (D). Asegúrate de que las aberturas de ranura estén arriba, luego procede a colocar la cubierta de techo (C) sobre el collarín en la parte superior del motor (E).
- ❑ Alinea los orificios de montaje con los orificios del motor (E) y asegura con los tres tornillos (KK) y arandelas de seguridad (LL) retirados anteriormente. Aprieta bien los tornillos de montaje.



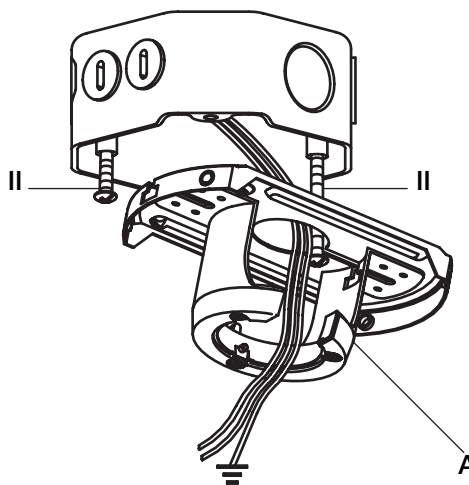
# Ensamblaje - Cómo colgar el ventilador

## 1 Cómo fijar el ventilador a la caja eléctrica



**ADVERTENCIA:** Para reducir el riesgo de incendio, descarga eléctrica u otras lesiones, instala sólo en una caja eléctrica clasificada como “apropiada para sostener ventiladores de 35 lb (15.9 kg) o menos”, y usa sólo los tornillos incluidos con la caja eléctrica.

- ❑ Pasa los cables de suministro de 120 V a través del orificio central en el soporte de montaje (A).
- ❑ Instala el soporte de montaje de techo sobre la caja eléctrica deslizando el soporte de montaje (A) sobre los dos tornillos (II) suministrados con la caja eléctrica. Si es necesario, usa arandelas niveladoras (no incluidas) entre el soporte de montaje (A) y la caja eléctrica. Fíjate que el lado plano del soporte de montaje (A) esté hacia la caja eléctrica. Cuando uses el montaje cerca del techo, es importante que el soporte de montaje esté nivelado.
- ❑ Ajusta firmemente los dos tornillos de montaje (II).



# Ensamblaje - Cómo colgar el ventilador (continuación)

## 2 Cómo colgar el ventilador



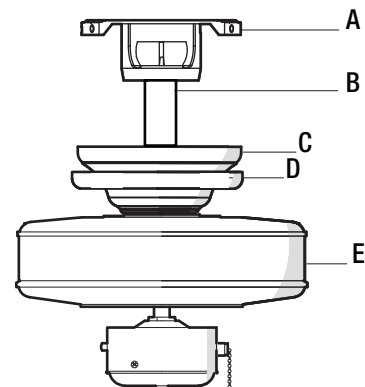
**ADVERTENCIA:** El gancho (XX) debe usarse para sostener el ventilador sólo mientras se hacen las conexiones eléctricas. Si no se cuelga como se muestra, puede romperse el gancho (XX) y el ventilador se caerá. El gancho debe pasar de adentro hacia fuera de la cubierta.



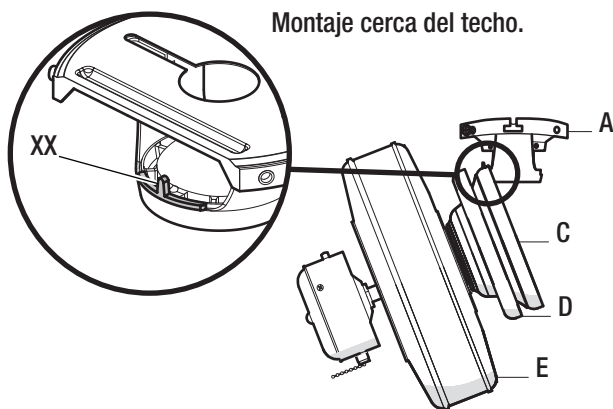
**ADVERTENCIA:** Al colgar el ventilador en el gancho (XX), es fundamental que uses uno de los orificios sin ranura (redondos) de la cubierta (C).

- ❑ Con cuidado, levanta el ensamblaje del motor del ventilador (E) hasta el soporte de montaje deslizante (A).
- ❑ Inserta la bola de soporte del ensamblaje del tubo bajante/bola en el casquillo del soporte de montaje deslizante.
- ❑ Gira el ensamblaje del tubo bajante/bola de izquierda a derecha hasta que quede encajado, con la pestaña del soporte de montaje deslizante alineada con la ranura de la bola.
- ❑ Si usas el montaje cerca del techo, cuelga el ventilador del gancho suministrado usando uno de los orificios en el borde exterior de la cubierta de techo (C).

Montaje estándar.



Montaje cerca del techo.





# Ensamblaje - Cómo colgar el ventilador (continuación)

## 3 Cómo hacer las conexiones eléctricas



**ADVERTENCIA:** Quita los tapones de goma del motor en la parte inferior del ventilador antes de instalar las aspas o de verificar el motor.

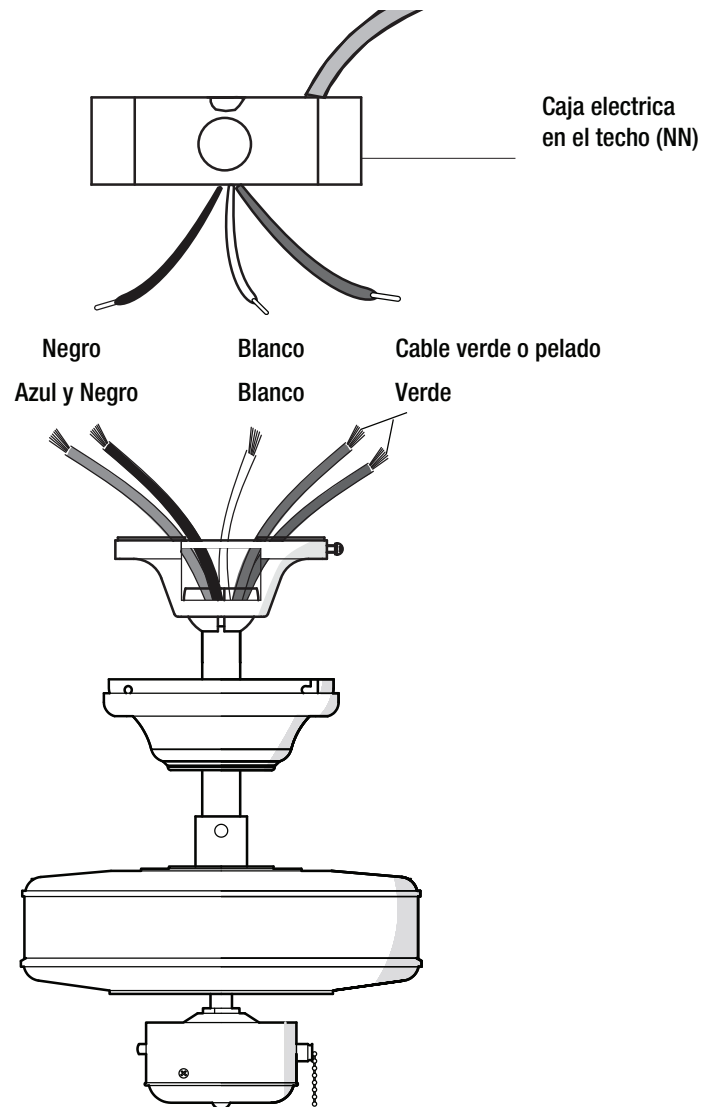


**IMPORTANTE:** Usa las tuercas de conexión de cables (CC) incluidas con tu ventilador. Sujeta los conectores con cinta de electricista y asegúrate de que no haya conexiones o cables sueltos.



**NOTA:** El ventilador viene con cables terminales de 54 plg para usar con un ensamblaje extendido de tubo bajante/bola. Si usas el ensamblaje extendido de tubo bajante/bola (B) de 4.5 plg incluido, puedes recortar los cables terminales al largo deseado (no menos de 12 plg).

- ❑ El ventilador viene con cables terminales de 54 plg para uso con un ensamblaje extendido de tubo bajante/bola. Si usas el ensamblaje extendido de tubo bajante/bola (B) de 4.5 plg incluido, puedes recortar los cables terminales al largo deseado (no menos de 12 plg). Esto dejará más espacio en la cubierta (C). Si no quieres cortar los cables, deberás enrollarlos cuidadosamente.
- ❑ Conecta el conductor a tierra del cable de 120 V (puede ser un cable desnudo o un cable con aislamiento verde) al (los) cable(s) terminal(es) a tierra verde(s) del ventilador. Cuando uses el montaje estándar en techo, existen dos cables terminales verdes de conexión a tierra; uno desde el soporte de montaje de techo y otro desde el ensamblaje del tubo bajante/bola. Cuando uses el montaje “cerca del techo”, existe solamente un cable verde de conexión a tierra desde el soporte de montaje de techo ya que no se usa el ensamblaje de tubo bajante/bola.
- ❑ Conecta el cable blanco del motor del ventilador al cable blanco del hogar usando una tuerca de conexión de cables (CC).
- ❑ Conecta los cables negro o azul del motor del ventilador al cable negro del hogar usando una tuerca de conexión de cables (CC).
- ❑ Asegura cada tuerca de conexión de cables con cinta de electricista.
- ❑ Gira la tuerca de conexión de cables (CC) hacia arriba y coloca el cableado dentro de la caja eléctrica (NN).



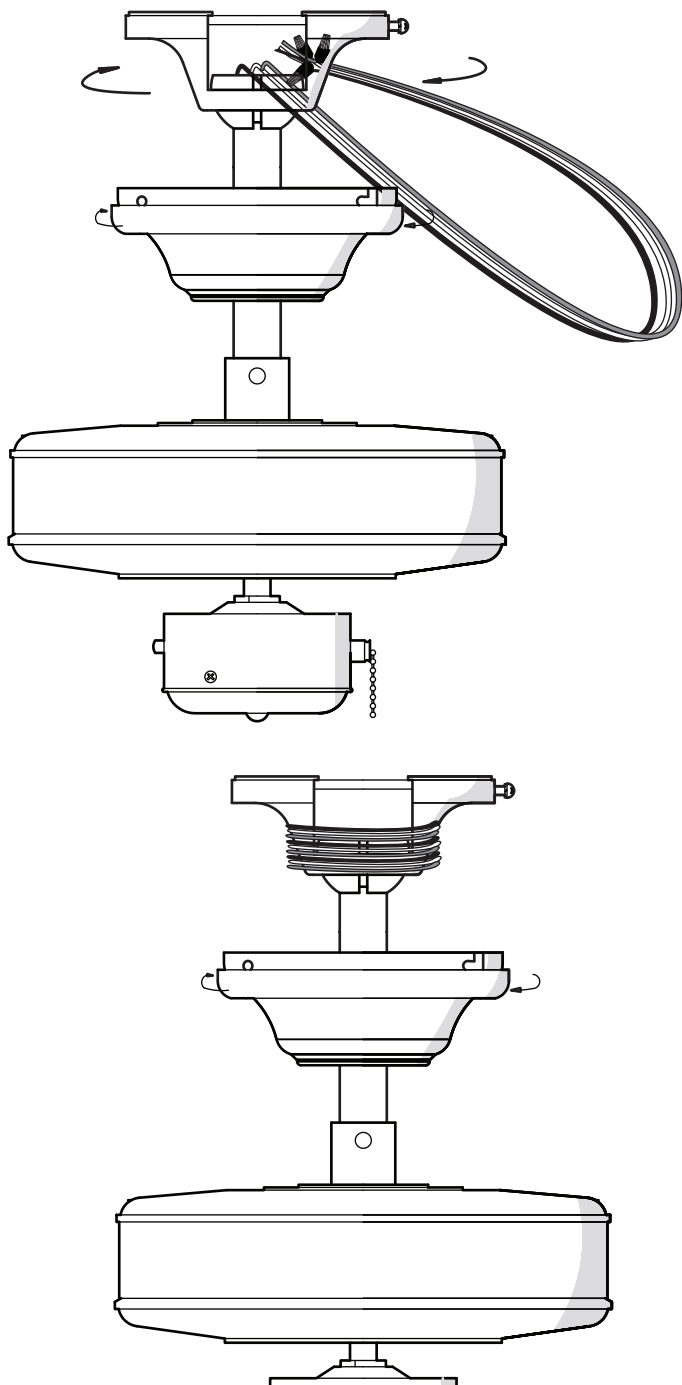
# Ensamblaje - Cómo colgar el ventilador (continuación)

## 4 Cómo enroscar el cable sobrante



**NOTA:** Sigue estos pasos **SOLAMENTE** si no cortaste el cable sobrante del ventilador de techo.

- Con cuidado, enrolla el exceso de cable alrededor del soporte de montaje.
- Asegura con cinta de electricista.



## 5 Cómo montar el ensamblaje del motor del ventilador (montaje estándar)

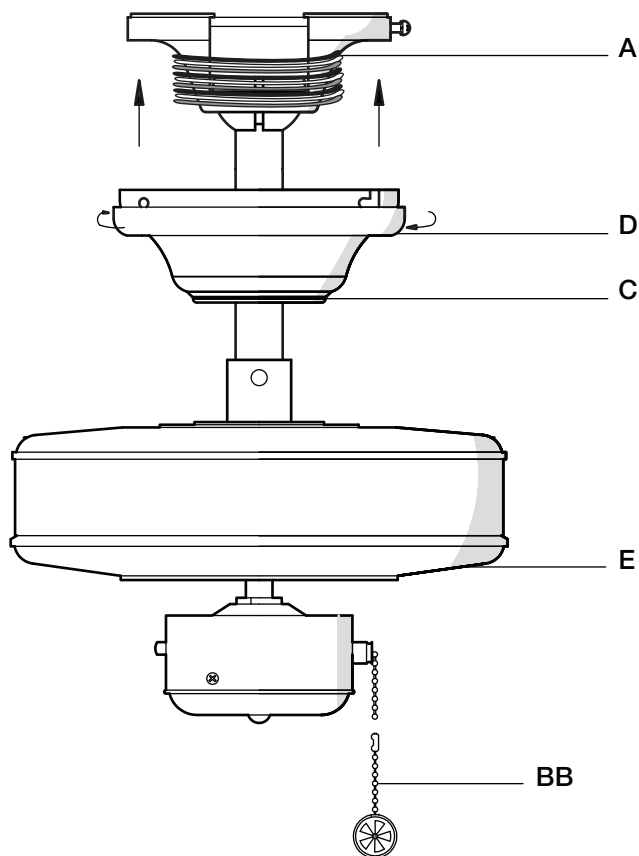


**ADVERTENCIA:** Cuando uses el ensamblaje del tubo bajante/bola estándar, la pestaña en el aro en la parte inferior del soporte de montaje debe encajar en la ranura de la bola de soporte. Si la pestaña no se asienta correctamente en la ranura, se puede dañar el cableado.



**ADVERTENCIA:** Las ranuras de cierre de la cubierta del techo sólo sirven de ayuda durante la instalación. No dejes sin supervisión el ensamblaje del ventilador hasta que los cuatro tornillos de la cubierta estén fijos y firmemente ajustados.

- Alinea las ranuras de cierre de la cubierta de techo (C) con los dos tornillos (HH) del soporte de montaje (A). Alza para enganchar las ranuras y gira de izquierda a derecha para asegurarla en su sitio.
- Inmediatamente, ajusta con firmeza los dos tornillos de montaje.
- Instala los dos tornillos de montaje (HH) (guardados en el paso 1 del ensamblaje, "cómo preparar la instalación") en los orificios de la cubierta (C) y aprieta firmemente.
- Instala el aro de cubierta decorativo (D) alineando las ranuras del aro con los tornillos en la cubierta (C). Gira el aro en sentido de las manecillas del reloj para fijarlo en su lugar.
- Fija la extensión de la cadena para halar (BB).



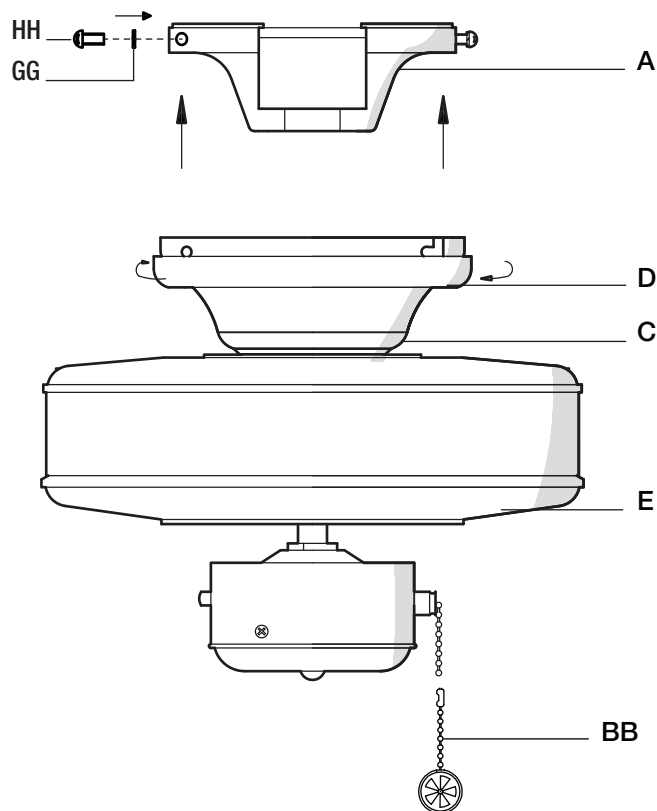
## Ensamblaje - Cómo colgar el ventilador (continuación)

### 6 Montaje cerca del techo



**ADVERTENCIA:** Las ranuras de cierre de la cubierta del techo se incluyen solamente como una ayuda para el montaje. No dejes sin supervisión el ensamblaje del ventilador hasta que los cuatro tornillos de la cubierta estén fijos y firmemente ajustados.

- ❑ Con cuidado, desengancha el ventilador del soporte de montaje (A) y alinea las ranuras de cierre de la cubierta del techo (C) con los dos tornillos en el soporte de montaje (A). Alza para enganchar las ranuras y gira en el sentido de las manecillas del reloj para asegurar la cubierta (C) en su sitio.
- ❑ Inmediatamente, ajusta con firmeza los dos tornillos de montaje.
- ❑ Instala los dos tornillos de montaje (HH) y las arandelas de seguridad (GG) (guardados en el paso 1 del ensamblaje, “cómo preparar la instalación”) en los orificios de la cubierta (C) y aprieta firmemente.
- ❑ Instala el aro de cubierta (D) alineando las ranuras del aro con los tornillos en la cubierta (C). Gira el aro en sentido de las manecillas del reloj para fijarlo en su lugar.
- ❑ Fija la extensión de la cadena para halar (BB).



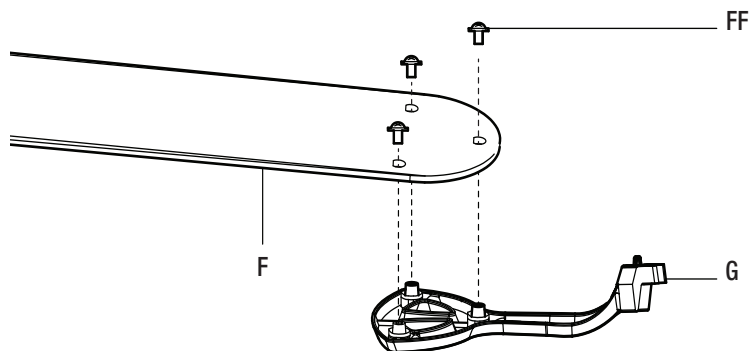
## Ensamblaje - Cómo fijar las aspas del ventilador

### 7 Cómo fijar las aspas del ventilador



**NOTA:** Las aspas de tu ventilador son reversibles. Elige el acabado del aspa por el lado que mejor resalte tu decoración.

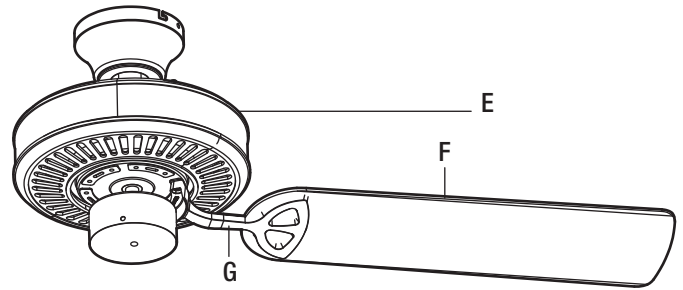
- ❑ Fija el aspa (F) a su soporte (G) con los tornillos (FF) provistos. Observa que las arandelas de goma están fijadas en el soporte del aspa (G). Inserta el tornillo en el soporte del aspa (G). Repite para los dos tornillos restantes (FF).
- ❑ Aprieta firmemente todos los tornillos.
- ❑ Repite para las aspas restantes.



# Ensamblaje - Cómo montar los soportes de las aspas

## 8 Cómo fijar los soportes de las aspas

- Ajusta el soporte del asa (G) al motor (E) insertando el poste de alineación dentro de la ranura de la parte inferior del motor del ventilador (E) y ajustando los tornillos del motor que están pre-ensamblados al soporte de asa (G).
- Repite este procedimiento para los cuatro soportes de aspas (G) restantes.



## Funcionamiento

Enciende la electricidad y verifica el funcionamiento del ventilador. El interruptor de cadena controla las velocidades del ventilador de la siguiente manera:

1 vez: alta, 2 veces: media, 3 veces: baja y 4 veces: apagado.

Las configuraciones de velocidad apropiadas para clima cálido o frío dependen de factores como el tamaño de la habitación, la altura del techo y la cantidad de ventiladores.

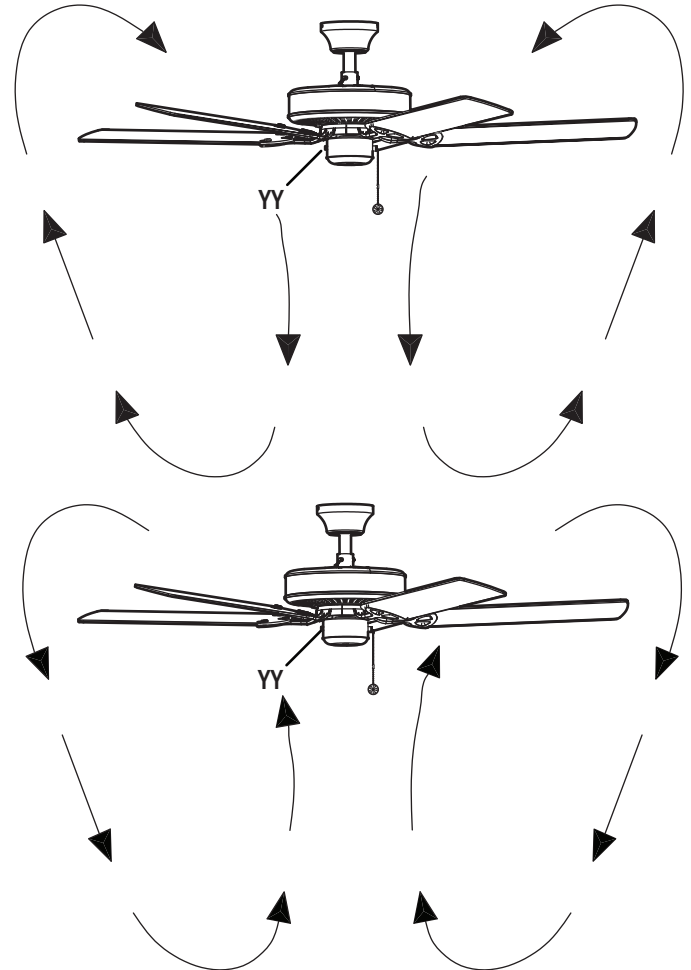
El interruptor deslizante controla (YY) la dirección de las aspas: hacia adelante (interruptor hacia abajo) o reversa (interruptor hacia arriba).



**NOTA:** Espera a que se detenga el ventilador antes de invertir la dirección de giro de las aspas.

**Clima cálido: (Hacia adelante)** Un flujo de aire descendente crea un efecto de enfriamiento. Esto te permite fijar tu aire acondicionado en una configuración más alta sin afectar tu comodidad.

**Clima frío - (Reversa)** Un flujo de aire hacia arriba mueve el aire cálido lejos del techo. Esto te permite configurar la unidad de calefacción más baja sin afectar tu comodidad.



# Mantenimiento y limpieza



**ADVERTENCIA:** Asegúrate de que la corriente esté apagada antes de limpiar el ventilador.

- Debido al movimiento natural del ventilador, algunas conexiones pueden aflojarse. Revisa las conexiones de soporte, los soportes y los accesorios de las aspas dos veces al año. Verifica que estén seguros. No es necesario desmontar el ventilador del techo.
- Limpia el ventilador con frecuencia para que luzca como nuevo con el paso de los años. No uses agua al limpiar. Esto puede dañar el motor o la madera o causar descargas eléctricas. Usa solamente un cepillo suave o un paño sin pelusas para evitar arañar el acabado. El revestimiento está sellado con laca para minimizar la decoloración u opacidad.
- Puedes aplicar a la madera una fina capa de pulimento para muebles para una mayor protección y belleza. Cubre los arañazos pequeños con una leve aplicación de lustrador para calzado.
- No necesitas lubricar el ventilador. El motor tiene cojinetes de bola sellados permanentemente lubricados.

## Solución de problemas

Problema	Solución
El ventilador no enciende.	<ul style="list-style-type: none"><li><input type="checkbox"/> Verifica fusibles o disyuntores principales y secundarios.</li><li><input type="checkbox"/> Verifica las conexiones de cables en línea al ventilador y conexiones de cables del interruptor en la caja de interruptores.</li></ul>
El ventilador hace ruido.	<ul style="list-style-type: none"><li><input type="checkbox"/> Asegúrate de que todos los tornillos de la carcasa del motor estén ajustados.</li><li><input type="checkbox"/> Asegúrate de que los tornillos que unen el soporte de aspa al cuerpo del motor están bien ajustados.</li><li><input type="checkbox"/> Asegúrate de que las conexiones de tuerca de cable no choquen unas con otras o con la pared interior de la caja del interruptor.</li><li><input type="checkbox"/> Espera que transcurra un período de 24 horas de “adaptación”. La mayoría de los ruidos asociados con un nuevo ventilador desaparecen en ese período.</li><li><input type="checkbox"/> Si usas el kit de luces del ventilador de techo, asegúrate de que los tornillos que sujetan el vidrio estén bien colocados. Verifica que las bombillas estén bien aseguradas.</li><li><input type="checkbox"/> Asegúrate de que la cubierta esté a una corta distancia del techo. No debe tocar el techo.</li><li><input type="checkbox"/> Asegúrate de que la caja eléctrica esté bien segura y que las almohadillas aislantes de goma se hayan instalado entre la placa de montaje y la caja eléctrica.</li></ul>
El ventilador oscila.	<ul style="list-style-type: none"><li><input type="checkbox"/> Verifica que todas las aspas y los tornillos de los brazos de aspas estén seguros.</li><li><input type="checkbox"/> La mayoría de los problemas de oscilación del ventilador se deben a que las aspas no están a un mismo nivel. Verifica este nivel seleccionando un punto en el techo sobre la punta de una de las aspas. Mide desde un punto en el centro de cada aspa a un punto en el techo. Rota el ventilador hasta que la siguiente aspa esté posicionada para medir, y mide desde el mismo punto en cada aspa hasta el techo. Repite para cada aspa. Las desviaciones de la medición deben estar dentro de un rango de 1/8 de plg. Enciende el ventilador durante diez minutos. Si el ventilador continúa oscilando, comunícate con el servicio al cliente de Home Depot y te enviarán un kit de compensación de aspas, sin costo alguno.</li></ul>

¿Preguntas, problemas o piezas faltantes? Antes de regresar a la tienda,  
llama al servicio al cliente de Home Depot  
de lunes a viernes, entre 8:00 a.m. y 7:00 p.m. (hora estándar del Este),  
y los sábados de 9:00 a.m. a 6:00 p.m. (hora estándar del Este)

**1-877-527-0313**

**HOMEDEPOT.COM**

Conserva este manual para uso en el futuro.

---