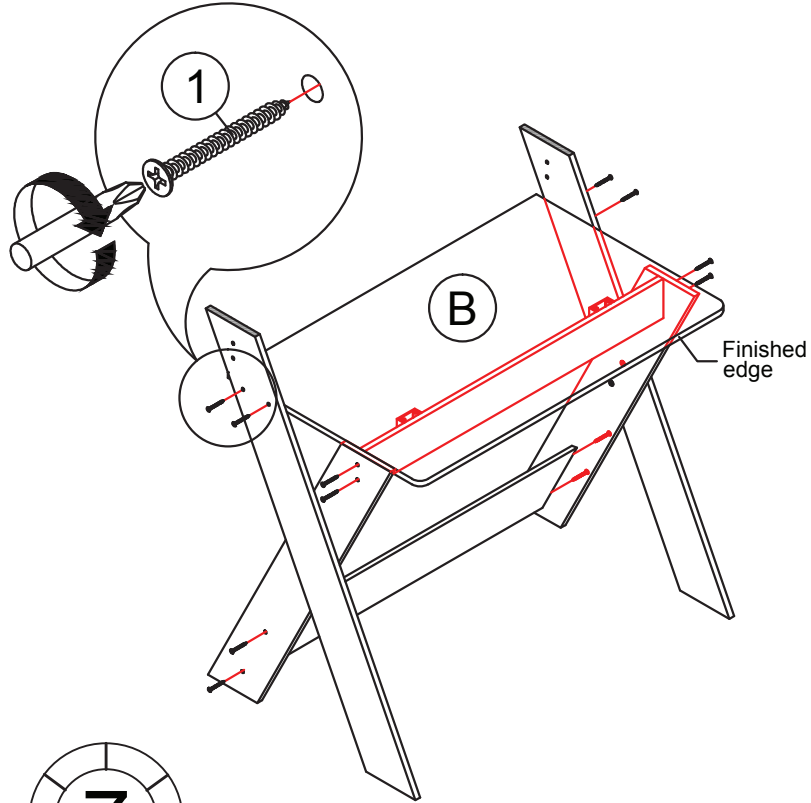
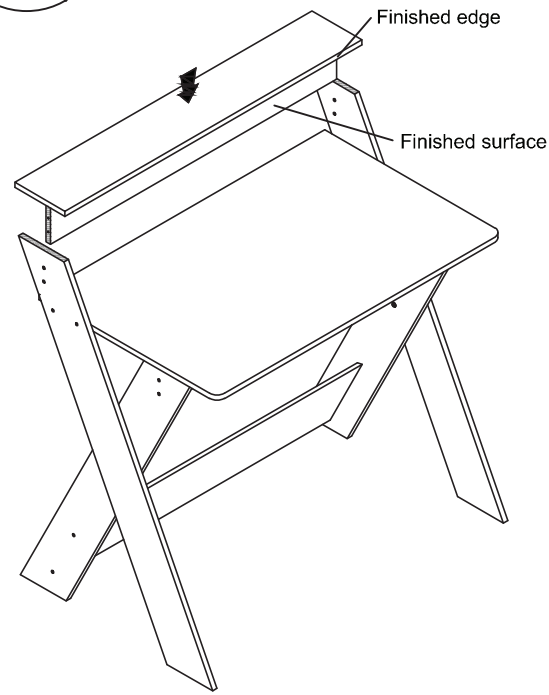


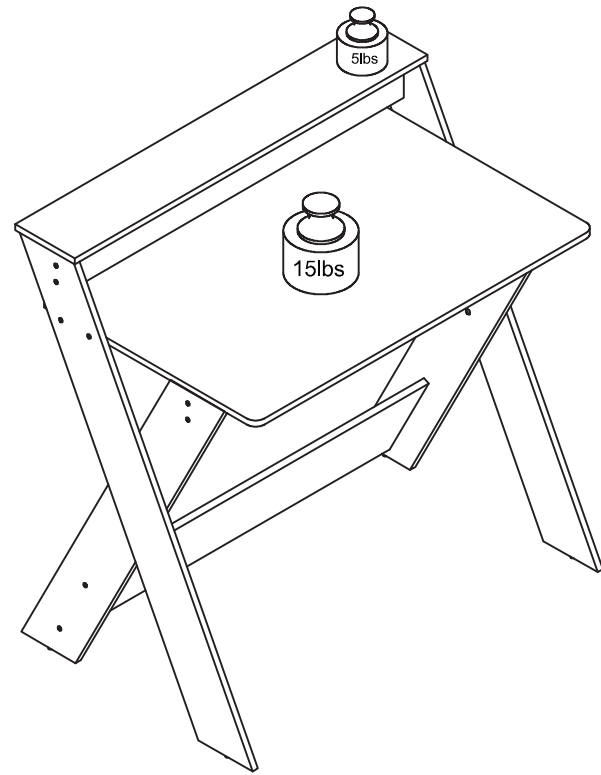
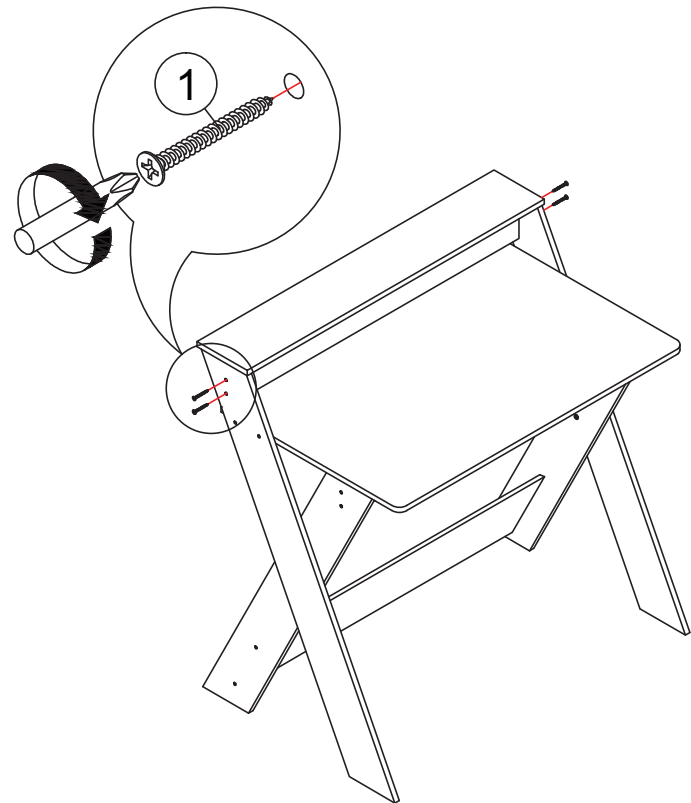
5



6



7



WARNING:

>This unit has been designed to support the maximum loads shown. Exceeding these load limits could cause sagging, instability, product collapse, and/or serious injury.

>DO NOT allow children to climb on unit.



Assembly Instruction

Furinno Modern Simplistic Criss-Crossed Home Office Study Desk

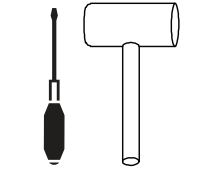
MODEL : 16047

00:45

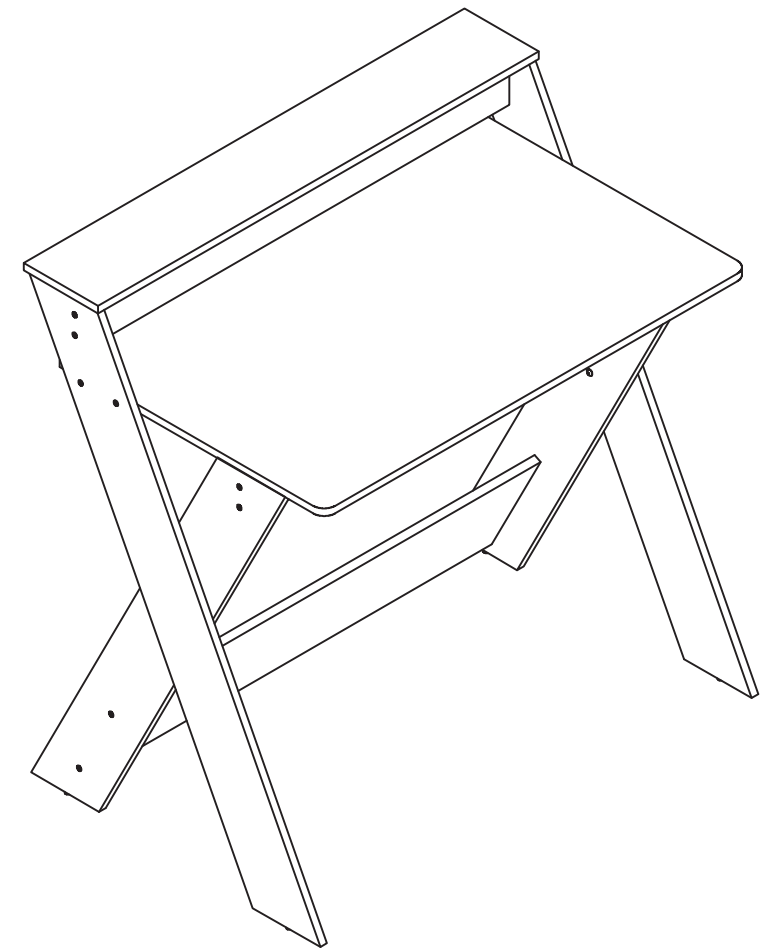
Approx. 45 minutes



Recomm. 2 Persons



Tools Required



Customer Support

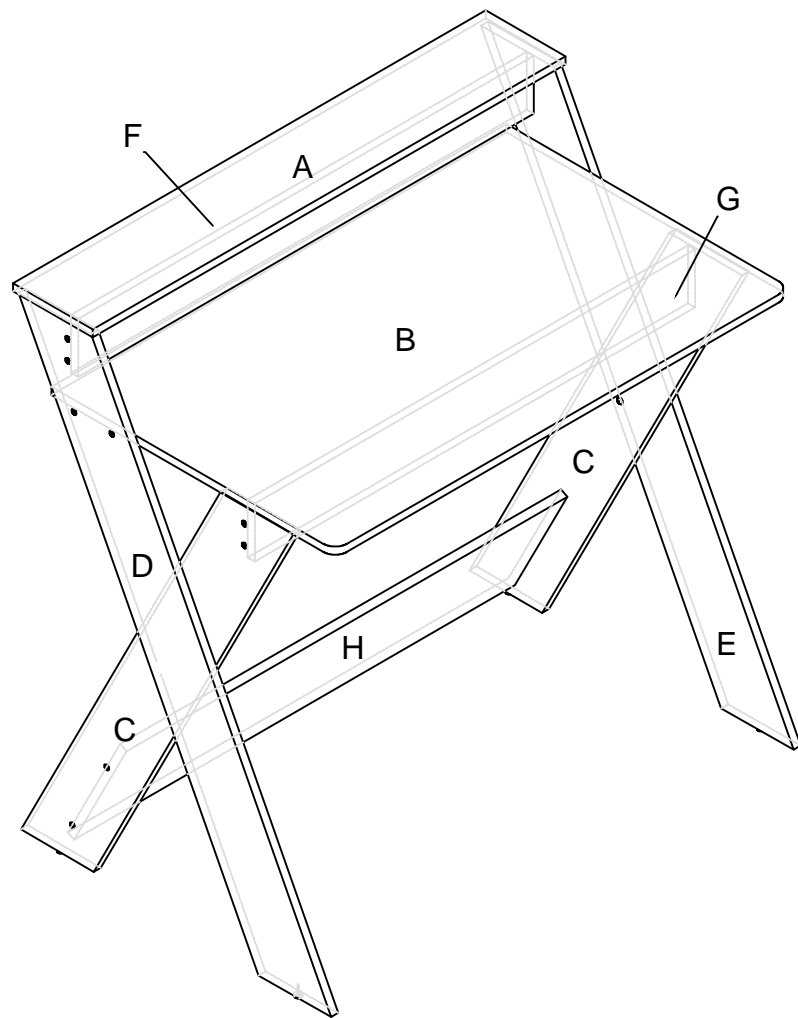
NEED HELP? For replacement requests or product inquiries, please contact our Customer Service Team by emailing us at support@furinno.com. Thank you for selecting Furinno!

www.furinno.com



NO	PARTS LIST	QTY
A	UPPER TOP PANEL	1pc
B	TOP PANEL	1pc
C	INNER SIDE PANEL	2pcs
D	LEFT SIDE PANEL	1pc
E	RIGHT SIDE PANEL	1pc
F	UPPER SUPPORT PANEL	1pc
G	BOTTOM SUPPORT PANEL	1pc
H	LEG SUPPORT PANEL	1pc

NO	HARDWARE LIST	QTY
1	C/B SCREW A	16pcs
2	BRACKET	4pcs
3	C/B SCREW B	8pcs
4	CENTER SCREW	4pcs
5	NAIL LEG	8pcs



USEFUL HINTS BEFORE YOU START:

1. Read each step carefully before starting.
2. It is important that each step is performed in correct order to avoid difficulties.
3. Identify, sort and count the parts before assembly.
4. Assemble your furniture on packaging cardboard to prevent scratch or damage.
5. Clean the product with mild cleanser using soft damped cloth. Do not use harsh or abrasive cleanser.
6. Using incompatible hardware might cause damage to product.

ASSEMBLY INSTRUCTION

