

# **SPEAKMAN COMPANY**

## **VS-111 Installation, Operation & Maintenance Instructions**

### **VERSATILE® SHOWER DIVERTER**

#### **DESCRIPTION**

VERSATILE® chrome plated brass shower diverter.

#### **SPECIFICATIONS**

SUPPLY INLET: ½" NPSM FEMALE  
OUTLET AND SIDE PORT OUTLET: ½" NPSM MALE  
SHIPPING WEIGHT: 0.6 LBS.

#### **OPTIONS**

BN – Brushed Nickel Finish
PB – Polished Brass Finish

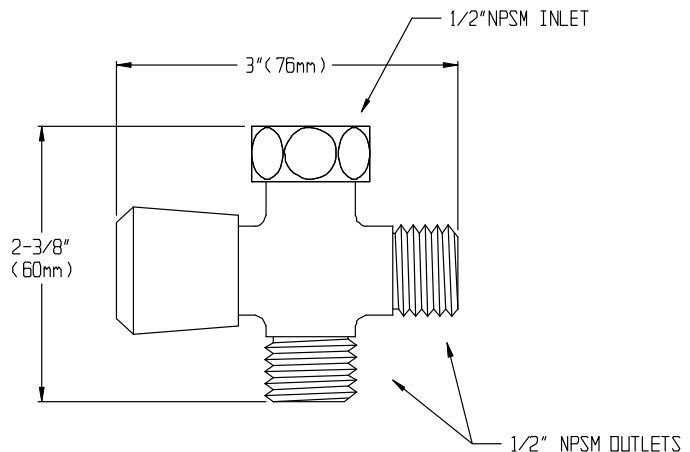
#### **INSTALLATION**

Connect diverter to shower arm by turning swivel nut (Inlet) in a counter clockwise direction. Make sure rubber washer is inside swivel nut to prevent leaks. Connect accessories to diverter outlet ports. Tighten all connections. Turn water supply on and check for leaks.

#### **MAINTENANCE**

The gleaming finish of your SPEAKMAN VERSATILE® VS-111 diverter valve can be cleaned by using mild soap and warm water. Dry immediately with a soft, clean cloth for best results.

#### **ROUGH-IN MEASUREMENTS**



Product improvements may cause specification and dimensional changes without notice.

**SPEAKMAN®**

PO Box 191 Wilmington, DE 19899 Phone: 800-537-2107 Fax: 800-977-2747  
Visit us on the web at [www.speakmancompany.com](http://www.speakmancompany.com)

10/09  
REV 2  
92-1781