

Pre-Installation

PLANNING INSTALLATION

Before beginning assembly of product, make sure all parts are present. Compare parts with package contents list and hardware contents list. If any part is missing or damaged, do not attempt to assemble the product.

Estimated Assembly Time: 50 minutes.

Tools Required for Assembly (not included): Phillips screwdriver.

TOOLS REQUIRED

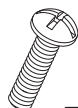


Phillips
screwdriver
(not included)

HARDWARE INCLUDED



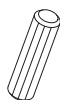
NOTE: Hardware not shown to actual size.



__ AA



__ BB



__ CC

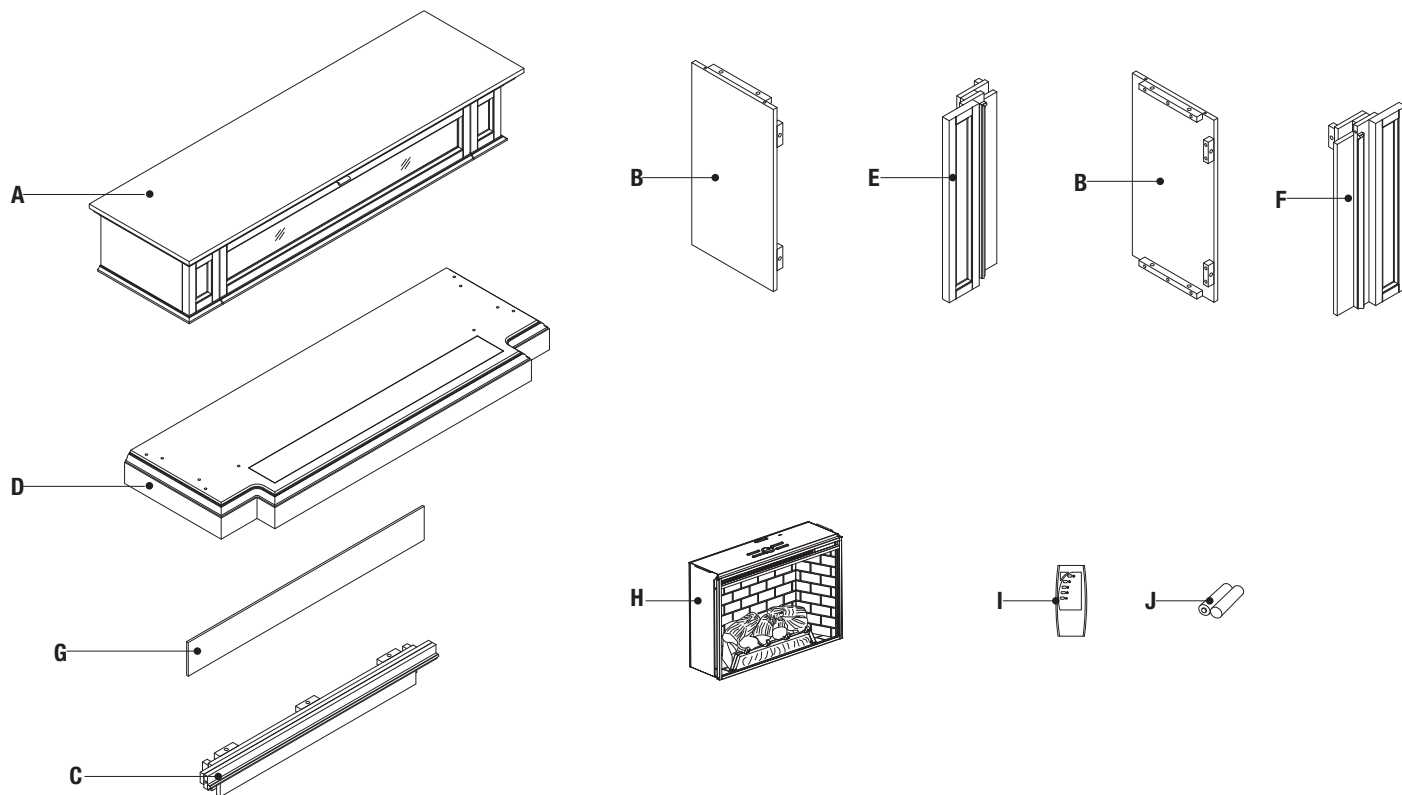


__ DD

Part	Description	Quantity
AA	Long Bolt	19
BB	Washer	19
CC	Wooden Dowel	10
DD	Touch-up Pen	1

Pre-Installation (continued)

PACKAGE CONTENTS



Part	Description	Quantity
A	Top	1
B	Outer Wall	2
C	Center Panel	1
D	Base	1
E	Left Front Panel	1
F	Right Front Panel	1
G	Wood Door Panel	1
H	Insert	1
I	Remote Control	1
J	Battery	2