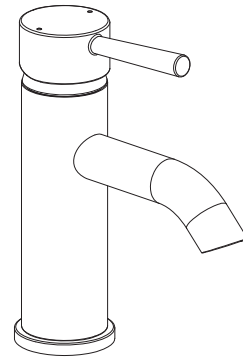




# MONCALIERI

## Single Hole Bathroom Faucet

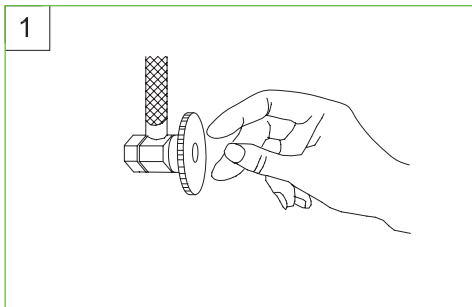
BRN-MCRC1  
BRN-MCRC1D



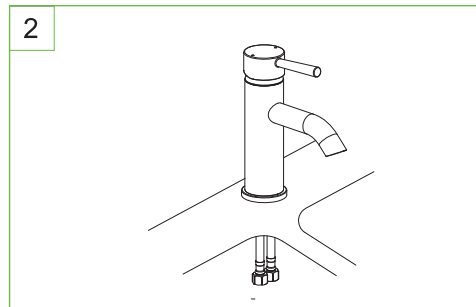
## INSTALLATION

### TOOLS:

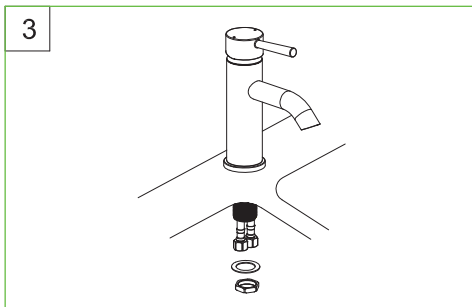
Adjustable Wrench  
Pliers  
Pipe Wrench  
Screwdriver  
Teflon Tape



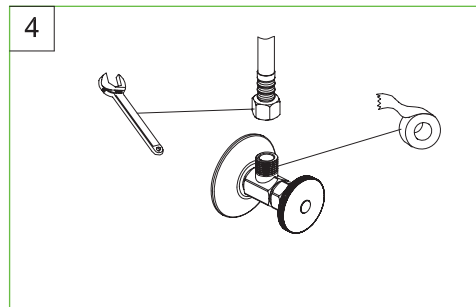
Shut off water supplies. Remove old faucet. Clean sink/counter surface in preparation for new faucet



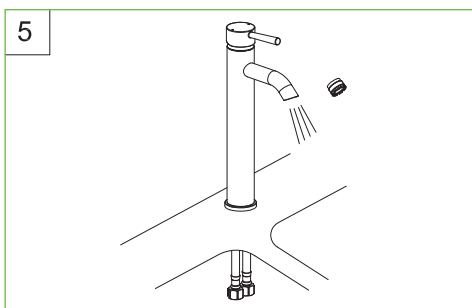
Place flange on bottom of new faucet, the position faucet through mounting hole.



Screw the mounting stud into the body. Secure the faucet to sink/counter by installing steel washer and nut. Tighten with wrench.



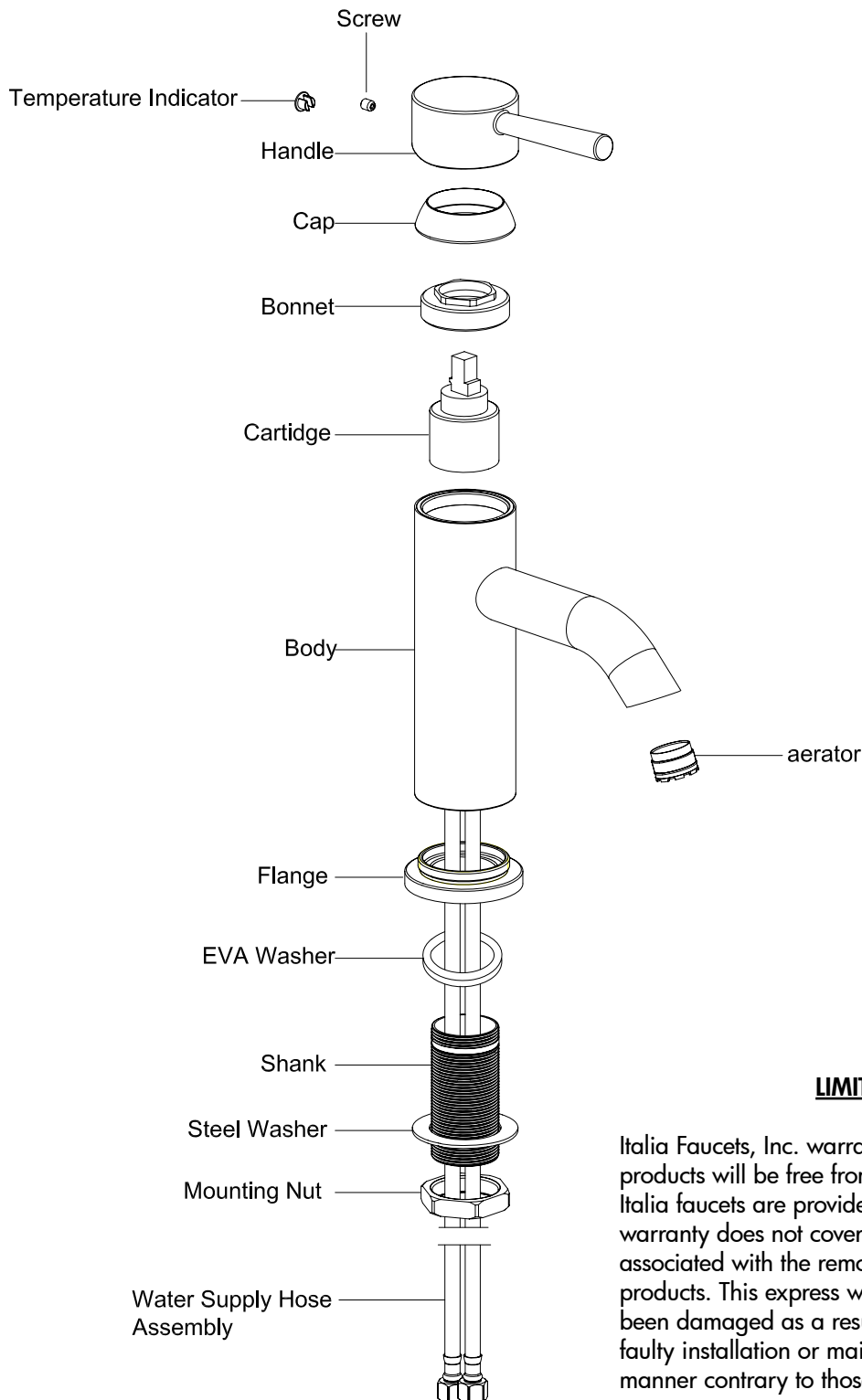
Apply pipe tape onto threads of water supplies. Use wrench when tightening the hose connection. Do not overtighten.



**IMPORTANT:** After installation is complete, remove aerator and turn on water supply and allow both hot and cold water to run for at least one minute each. While water is running check for leaks; make adjustments if necessary. Reinstall aerator. Your new faucet is now ready for use.

### MAINTENANCE:

Your new bathroom sink faucet is designed for years of trouble-free performance. Keep it looking new by cleaning it periodically with a soft cloth. Avoid abrasive cleaners, steel wool and harsh chemicals as these will dull the finish and void your warranty.



### **LIMITED LIFETIME WARRANTY**

Italia Faucets, Inc. warrants to the original purchaser that their products will be free from defects in workmanship and materials. All Italia faucets are provided with a limited lifetime warranty. This warranty does not cover any other labor or service charges associated with the removal, repair, or reinstallation of Italia Faucets products. This express warranty does not apply to products that have been damaged as a result of misuse, abuse, negligence, accident, faulty installation or maintenance practices and/or used in any manner contrary to those recommended by the manufacturer.