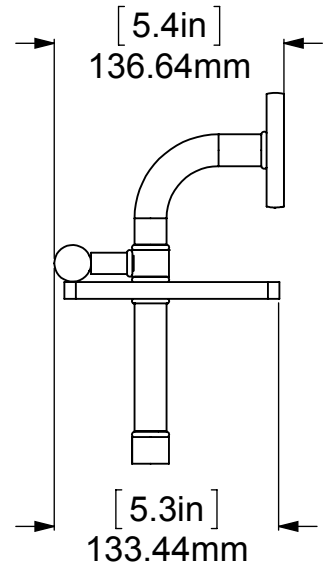
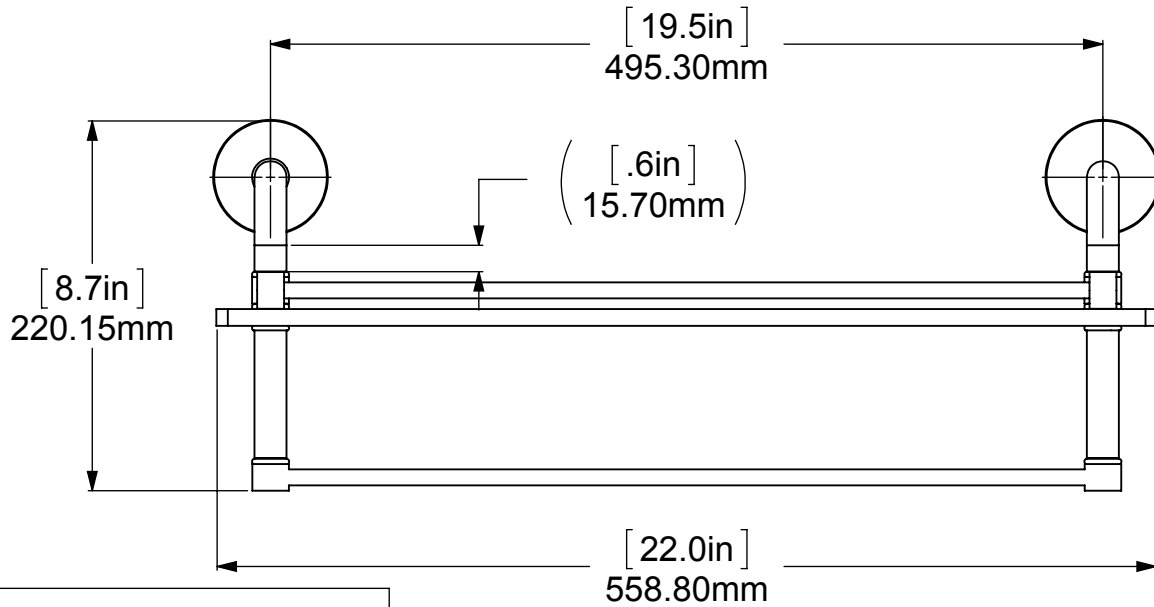
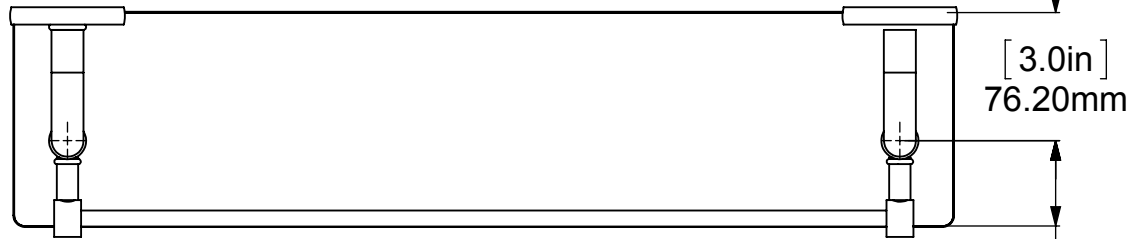
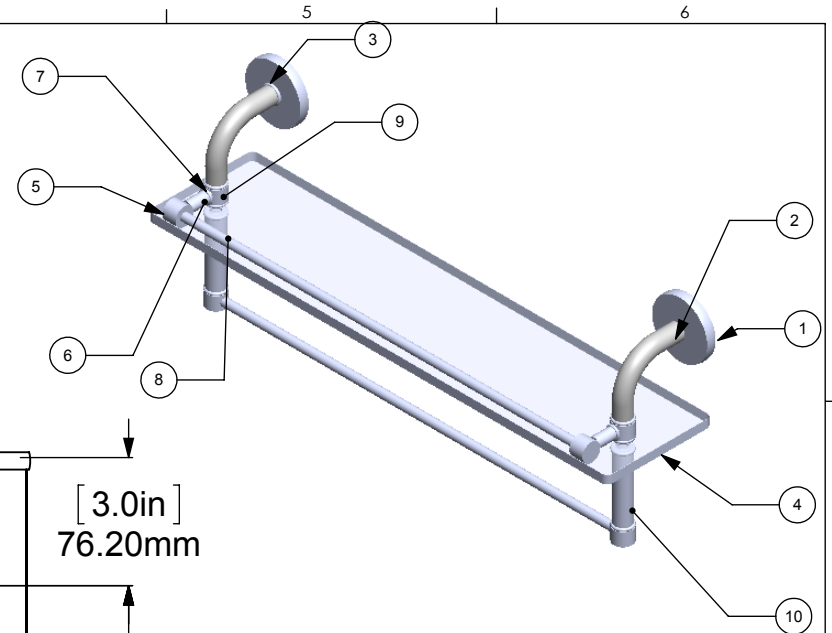


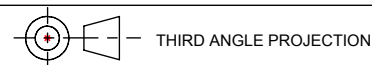
ITEM NO.	P/N	DESCRIPTION	QTY.
1	BPRD	BACKPLATE	2
2	SWELB-3	TUBE	2
3	CRRD-34	CHECK RING	9
4	GLRT-22	GLASS	1
5	MR-TILT-FITT	HUB	4
6	TU12-1	RAIL TUBE	2
7	CRRD-12	CHECK RING 0.5	2
8	TU38-19.5	RAIL	2
9	MR-TILT-FITT	HUB	2
10	TU34-3	TUBE	2



UNLESS OTHERWISE STATED

.X	±.3mm
.XX	±.15mm
.XXX	±.008mm

COPYRIGHT © Allied Brass 2016



DRAWN	3/21/2017	I.M
CHECKED	3/21/2017	P.D
APPROVED	3/21/2017	R.A

MATERIAL: BRASS
 DESCRIPTION: REMI GLASS SHELF WITH TOWEL BAR AND RAIL



FINISH	TBD
QUANTITY	TBD
DRAWING No.	REV
RM-1-22TB-GAL	0
SCALE	1:4.5
SHEET: 01	A4