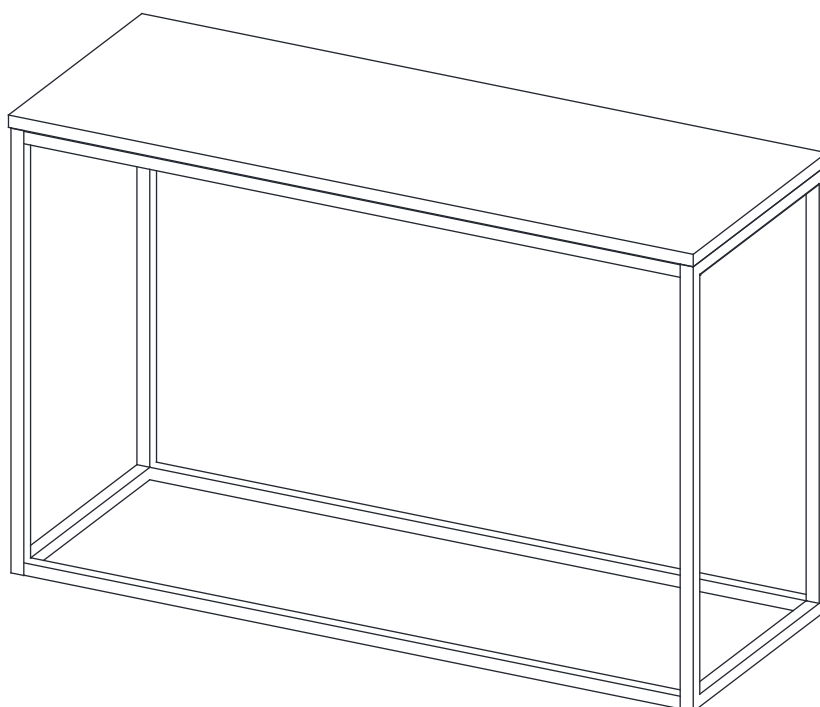


## USE AND CARE GUIDE

---

**WHITE FRAME WITH NATURAL WOOD CONSOLE TABLE**  
**BLACK FRAME WITH HAZE WOOD CONSOLE TABLE**



Questions, problems, missing parts?  
Before returning to the store, call Customer Service.  
8 a.m. – 7 p.m., EST, Monday – Friday, 9 a.m. – 6 p.m., EST, Saturday

1-877-527-0313

HOMEDEPOT.COM

---

### THANK YOU

*We appreciate the trust and confidence you have placed in StyleWell through the purchase of this White/Black with natural/haze wood console table. We strive to continually create quality products designed to enhance your home. Visit us online to see our full line of products available for your home improvement needs. Thank you for choosing Stylewell!*

# Table of Contents

Table of Contents.....	2	Pre-assembly (continued).....	4
Safety Information.....	2	Package Contents.....	4
Warranty.....	2	Assembly .....	5
1 Year Warranty.....	2	Maintenance.....	6
What is Covered.....	2	Care and Cleaning.....	6
What is Not Covered.....	2	Troubleshooting.....	6
Pre-assembly.....	3		
Planning Assembly.....	3		
Tools Required.....	3		
Hardware Included.....	3		

## Safety Information



### DANGER

- Keep small parts away from children during assembly.
- Read and follow instructions carefully.



### WARNING

- Read these instructions carefully and keep in a safe place.
- TO GUARANTEE THE SAFE USE OF THIS PRODUCT, FOLLOW THE WARNINGS, GUIDELINES AND RECOMMENDATIONS IN THIS MANUAL.**
- Adult assembly required.
- Small parts may present choking hazard prior to assembly.



### CAUTION

- Do not use power tools to assemble your furniture. Power tools may strip or damage parts/product.
- Do not overtighten connectors (screws, bolts, etc.). Overtightening can lead to product damage.
- Be sure to check all packing materials carefully for small parts that may have come loose inside the carton during shipment. If parts are missing, contact THE HOME DEPOT to obtain any missing parts.
- DO NOT USE SUBSTITUTE PARTS.**
- This product should only be used on a flat, level surface.
- Product is designed to hold 50 lbs for the table. Exceeding this limit may damage the product or cause injury to the user.
- Assembly requires two people; assembly alone may cause injury.

## Warranty

### 1 YEAR WARRANTY

#### WHAT IS COVERED

We guarantee this product to be free of manufacturing defects to the original purchaser for one year.

#### WHAT IS NOT COVERED

This warranty does not cover commercial use, acts of nature, and abusive use.

# Pre-assembly

## PLANNING ASSEMBLY

Ensure all parts and components are present before beginning assembly.  
Assemble on a soft, smooth surface to prevent damage to product finish.  
Do not overtighten screws and bolts to avoid stripping.



**NOTE:** DO NOT use power tools



Phillips  
screwdriver

## HARDWARE INCLUDED



**NOTE:** Hardware not shown to actual size.



AA



BB

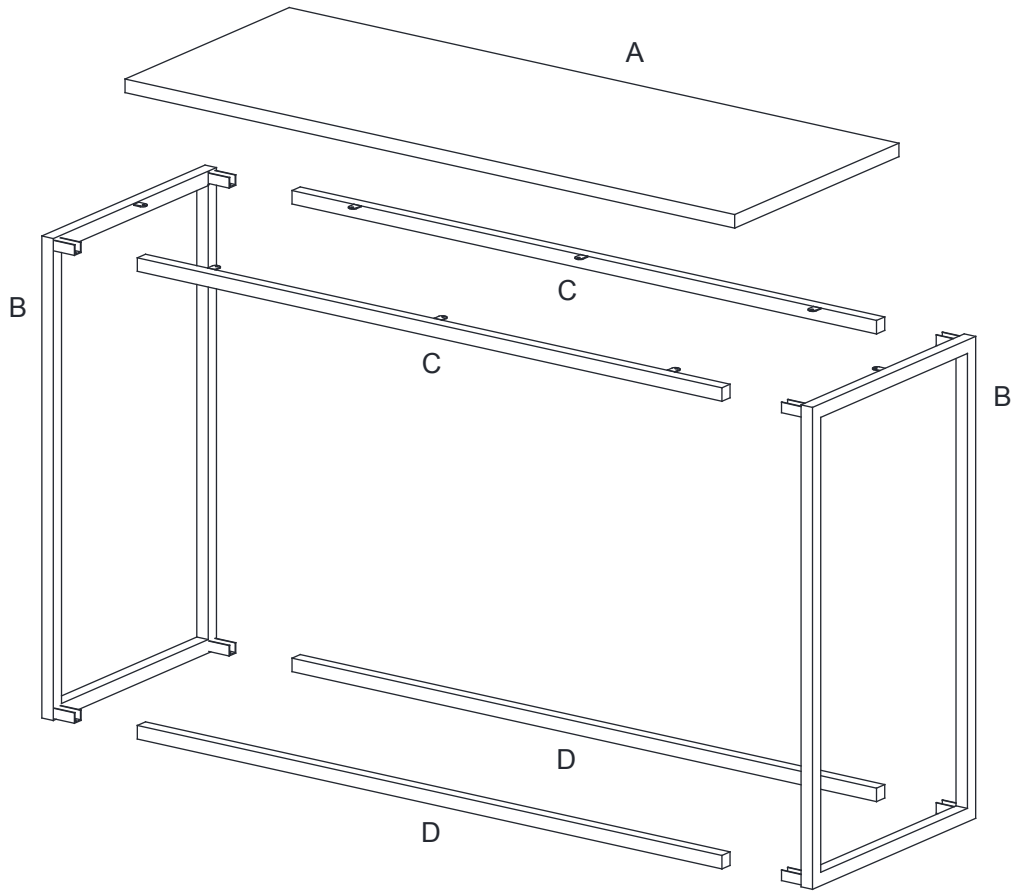


CC

Part	Hardware list	Quantity
AA	Bolt 1/4x12mm	16
BB	Screw 15mm	6
CC	Allen wrench	1

# Pre-assembly (continued)

## PACKAGE CONTENTS

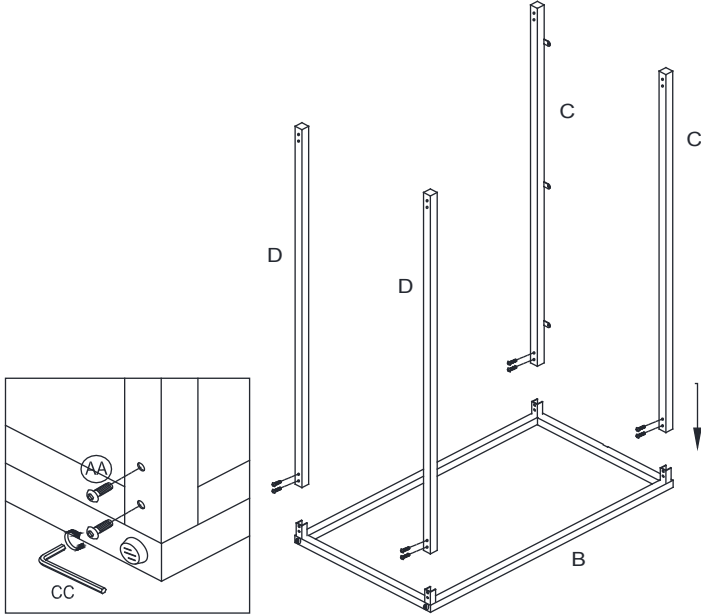


Part	Part Description	Quantity
A	Table top	1
B	Side frame	2
C	Top stretcher	2
D	Bottom Stretcher	2

# Assembly

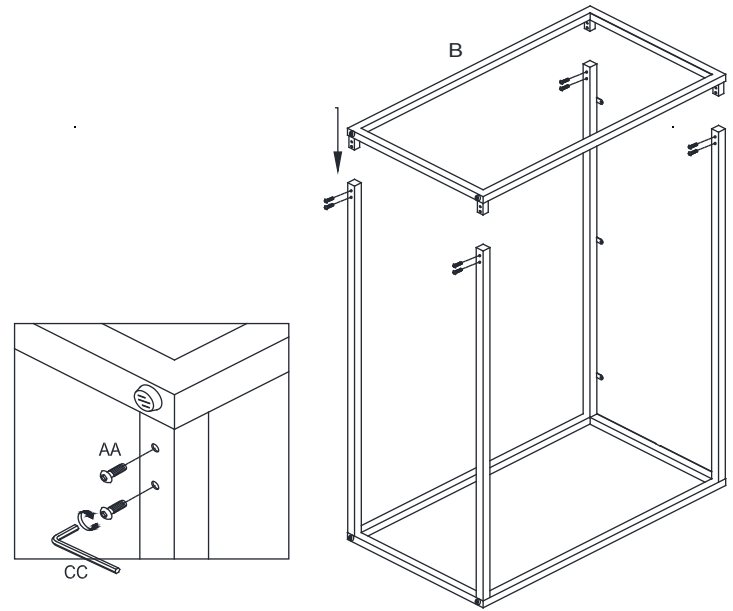
## 1 Attaching the stretcher

- Attach the stretchers (C) & (D) to the side frame (B) with bolts (AA) and tighten with Allen wrench (CC). Do not fully tighten bolts.



## 2 Attaching the side frame

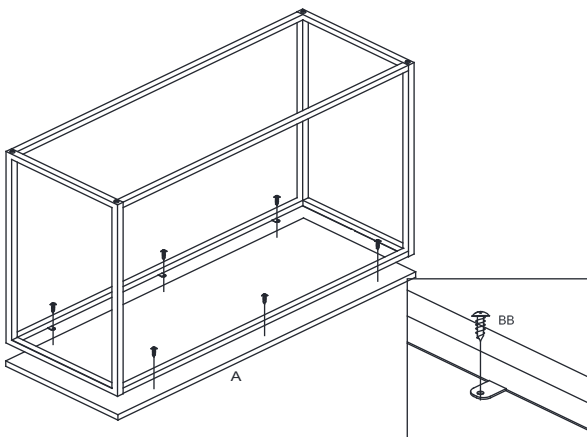
- Attach the 2nd side frame (B) to the stretcher (C) & (D) with bolts (AA) and tighten with Allen wrench (CC).



# Assembly

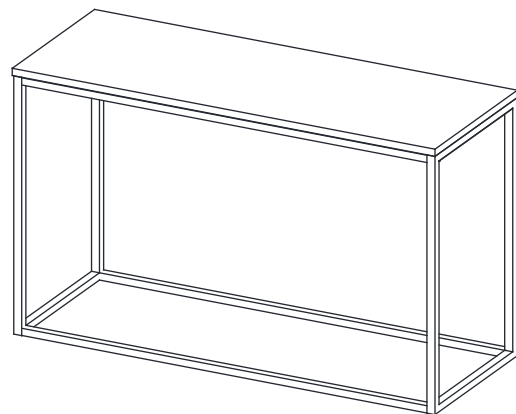
## 3 Attaching the table top

- Put on the table top (A) on a soft place, attach the pre-assembled table base to the table top with screws (BB). Use a Phillips head screwdriver (not included) to tighten the screws.



## 4 Tightening all the bolts

- Put the table on a level surface and fully tighten all bolts previously tightened with Allen wrench. Tighten all the bolts on a level surface.



## Maintenance

- Check bolts/screws periodically and tighten them if necessary.

## Care and Cleaning

- Dust this item regularly with a soft, lint-free cloth to prevent soil buildup.
- Wipe away spills immediately to prevent staining using a clean cloth dampened with water.
- Do not use liquid or abrasive cleaners on the metal frame, as this may damage the finish.

## Troubleshooting

Problem	Solution
Not all of the product's legs touch the floor.	Make sure adjustable center feet levelers are adjusted properly. The levelers are pre-assembled on the bottom of the legs.
	The product is KD construction. You may need to loosen the bolts and place the product on a flat surface. Ensure that the legs all touch the flat surface and then re-tighten the bolts.
	Loosen all the bolts and apply some weight to the product to get all the feet to touch the floor. Then re-tighten the bolts in that position.
One or more of the bolts do not fit in the holes correctly.	The product is KD construction. Do not fully tighten the bolts before all the bolts are completely lined up and inserted into holes. Loosen the bolts and make sure all bolts are lined up and inserted into the holes.

# **StyleWell.<sup>TM</sup>**

**Questions, problems, missing parts?  
Before returning to the store, call Customer Service  
8 a.m. – 7 p.m., EST, Monday – Friday, 9 a.m. – 6 p.m., EST, Saturday**

**1-877-527-0313  
HOMEDEPOT.COM**

**Retain this manual for future use.**