

# ESCAPE LADDER

MODEL KL-2S and MODEL KL-3S



## WARNING

**FAILURE TO READ AND FOLLOW THESE INSTRUCTIONS COULD RESULT IN SERIOUS INJURY OR DEATH.**

You must be familiar with the operation of this product prior to use. Portable escape ladders are intended for use as a means of escape from residential buildings and to supplement the primary means of egress required by codes and other local regulations.

It is strongly recommended that you practice mounting the ladder for deployment as described in steps 1, 2, and 3 under instructions for use of this ladder. During practices, **DO NOT PULL THE RELEASE STRAP TO DEPLOY THE LADDER.** Your ladder has been carefully assembled to ensure proper deployment when needed. Do not deploy into flames.

In normal use, it is possible that this ladder may scratch, dent or blemish the exterior surface of a home. Not recommended for use with storm windows or other windows that do not open fully to the recommended minimum space. Further, care should be taken to ensure that the ladder is not used from any window that is above another window. Failure to take this precaution may lead to damaged window glass, screens or wood trim. In no event will Kidde Safety, our dealers or distributors be liable to the purchaser or any other person for indirect, consequential, incidental or special damages that may occur during the use of this product. We recommend replacing the ladder every 15 years to ensure optimum strength and performance.

This ladder is intended to supplement (not replace) the more important fire protection principles of fire drills, emergency exit plans, smoke alarms, fire extinguishers, ect. Do not store in direct sunlight or at elevated temperatures.

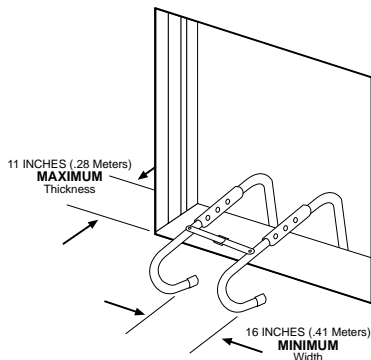
## CONDITIONS FOR USE OF THIS LADDER

**Model KL-2S:** The length of the KL-2S ladder is approximately 13 feet (3.9m) (2 stories). When extended from the window, the bottom step of the ladder must be close enough to the ground to allow for a safe escape. Do not use this ladder from heights greater than 14 feet (4.2m) as injury could result.

**Model KL-3S:** The length of the KL-3S ladder is approximately 25 feet (7.6m) (3 stories). When extended from the window, the bottom step of the ladder must be close enough to the ground to allow for a safe escape. Do not use this ladder from heights greater than 26 feet (7.9m) as injury could result.

The window to which the ladder is attached must be able to support the load of persons using the ladder for escape. The escape window must not be obstructed or covered with grilles or bars. The window must open fully for escape. Look for outside obstacles such as electrical wire, telephone wires, or fences.

The minimum width of escape window for use of the ladder is 16 inches (.41 meters). The maximum thickness of the escape window opening is 11 inches (.28 meters). Please refer to the diagram below for the required window dimensions.



## Required Window Dimensions

This escape ladder is to be used only as a last emergency escape device. Instruct family members to use the main escape routes if possible before using the ladder.

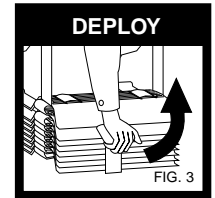
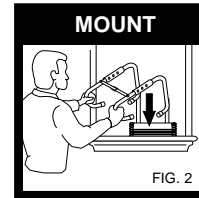
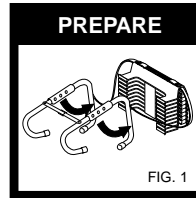
Do not exceed 1000 pounds cumulative (454 kg) load on this ladder.

This ladder is not a toy and should not be used by children unless supervised by an adult.

## INSTRUCTIONS FOR USE OF THIS LADDER

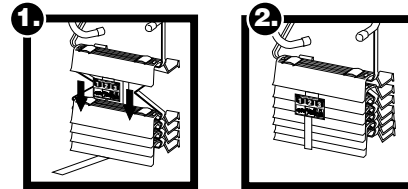
### STEP

1. Close the doors to the room before opening the escape window to avoid intensifying a fire.
2. Open attachment hooks and extend center support. (see Fig. 1)
3. Place hooks over window sill with ladder hanging on the outside of the structure. Attach the white end of the hooks to the inside wall. The red side of the hooks must be outside the window. (see Fig. 2)
4. Pull release strap to deploy ladder. (see Fig. 3) (To be done only in an actual emergency).
5. Carefully exit window onto ladder, holding attachment hooks to provide stability.
6. When descending the ladder, keep your body close to the ladder to maximize stability. Carry children on the ladder only when it is absolutely necessary. Avoid carrying pets or other objects on the ladder.
7. In family escape, the parent should exit first to stabilize the ladder during the descent of children or elderly adults.
8. Be careful to avoid breaking glass in adjacent windows when descending the ladder.



## STORAGE

Store the ladder near the window where it will be used. A closet or under the bed near the window where it can be easily reached is a useful storage place.



## PLANNING FOR EMERGENCY ESCAPE

Prepare an escape plan and practice the plan. The plan should include as a minimum two means of escape from each room (door and window), a meeting place to gather outside the residence, and call 911 or local emergency services after the exit.

## FIVE-YEAR LIMITED WARRANTY

Kidde Safety warrants that, for five years from the date of purchase, this product will be free from defects in material and workmanship. This warranty will not apply to any product which we determine was subjected to misuse, accident or alteration or was operated or maintained other than according to our instructions. In addition, this warranty only applies to the original end-user purchaser.

**ALL IMPLIED WARRANTIES WITH RESPECT TO THIS PRODUCT, INCLUDING WARRANTIES FOR MERCHANTABILITY AND FITNESS FOR A PARTICULAR PURPOSE, ARE LIMITED IN DURATION TO THE FIVE YEAR EXPRESS LIMITED WARRANTY PERIOD LISTED ABOVE. OTHER THAN THE WARRANTIES LISTED ABOVE, WE MAKE NO OTHER WARRANTIES, EXPRESS OR IMPLIED.**

The purchaser's exclusive remedy for any breach of warranty shall be, at our option, the repair, replacement, or return for credit of the product. IN NO EVENT WILL WE, OUR DEALERS OR DISTRIBUTORS BE LIABLE TO THE PURCHASER OR ANY OTHER PERSON FOR INDIRECT, CONSEQUENTIAL, INCIDENTAL OR SPECIAL DAMAGES. Some states do not allow such exclusions or limitations of incidental or consequential damages, or limitations on how long an implied warranty gives you specific legal rights, and you may also have other rights, which may vary from state to state.

To obtain warranty performance, if applicable, the product should be brought to the original place of purchase, or the purchaser may write to Consumer Information, Kidde Safety, 1394 South Third Street, Mebane, North Carolina 27302 or call 1-800-880-6788. In the U.K write: Kidde Safety Europe Ltd., Mathisen Way, Coinbrook, Slough, SL3 0HB or call 01844 218488.

Made in PRC

368094 Rev. C