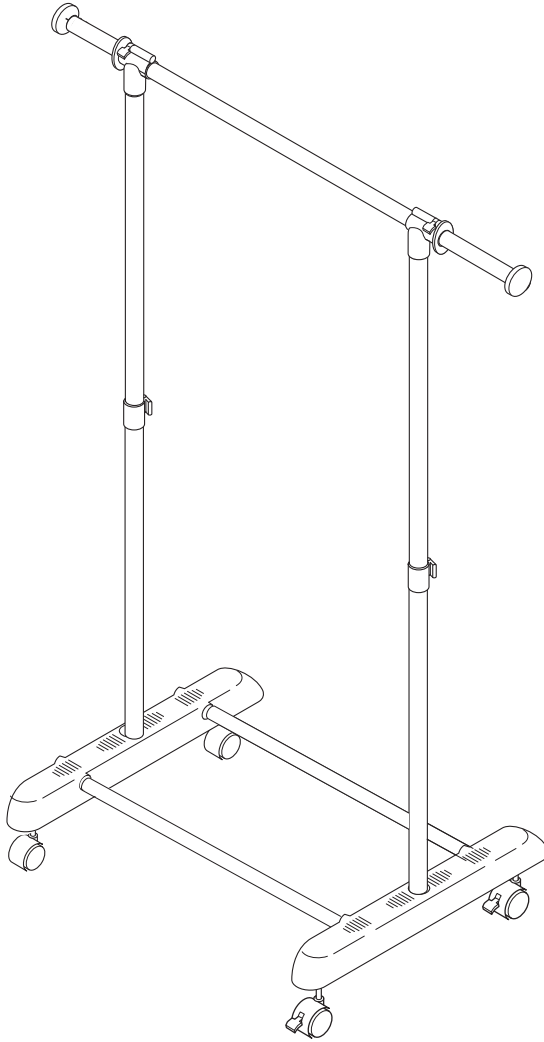




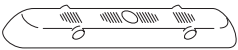
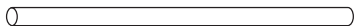
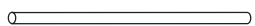

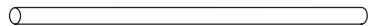


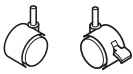


GAR-01124

garment rack



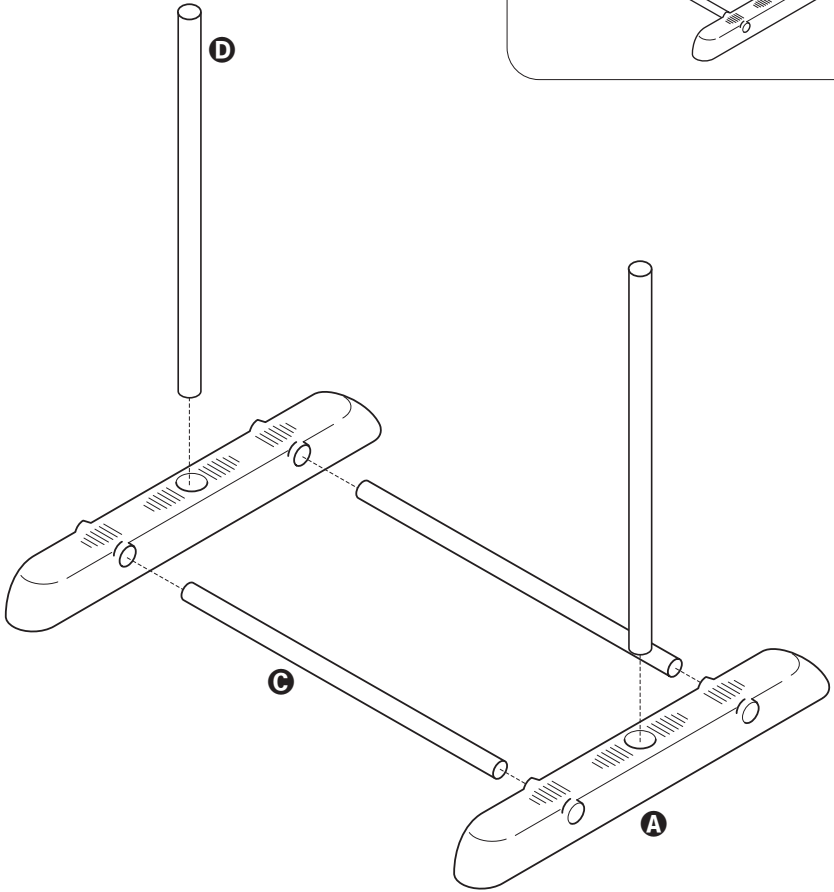
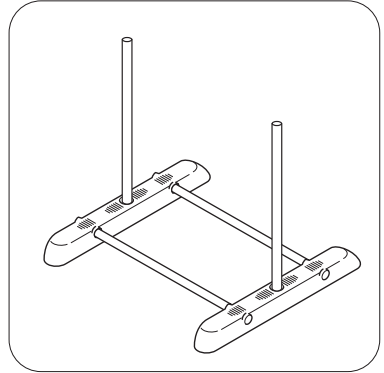
33.25-50 in L x 17.25 in W x 44-66.75 in H (84.5-127 cm L x 44 cm W x 112-170 cm H)

PARTS LIST

PART/ILLUSTRATION	(QTY)	DESCRIPTION
A 	(2)	base pieces
B  31 in x \varnothing 1.25 in (79 cm x \varnothing 3.175 cm)	(1)	hanger bar
C  30 in x \varnothing 0.75 in (77 cm x \varnothing 1.91 cm)	(2)	base bars
D  33 in x \varnothing 1.25 in (84.5 cm x \varnothing 3.175 cm)	(2)	bottom uprights
E  30.5 in x \varnothing 1.12 in (78 cm x \varnothing 2.84 cm)	(2)	top uprights
F  11 in x \varnothing 1.12 in (28.5 cm x \varnothing 2.84 cm)	(2)	top extenders
G 	(2)	T-connectors
H 	(4)	casters
I 	(2)	upright connectors
J 	(2)	end caps

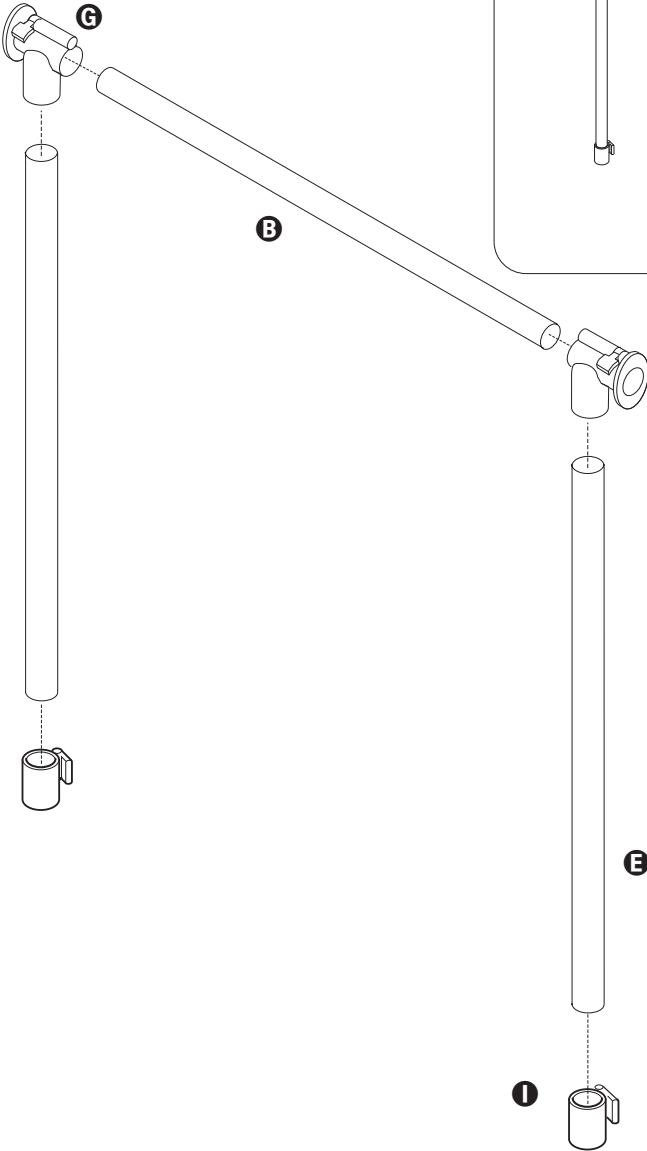
ASSEMBLY

1



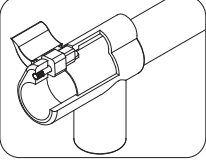
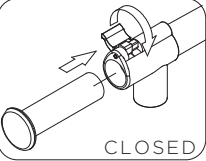
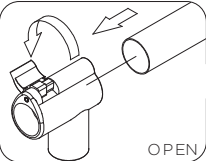
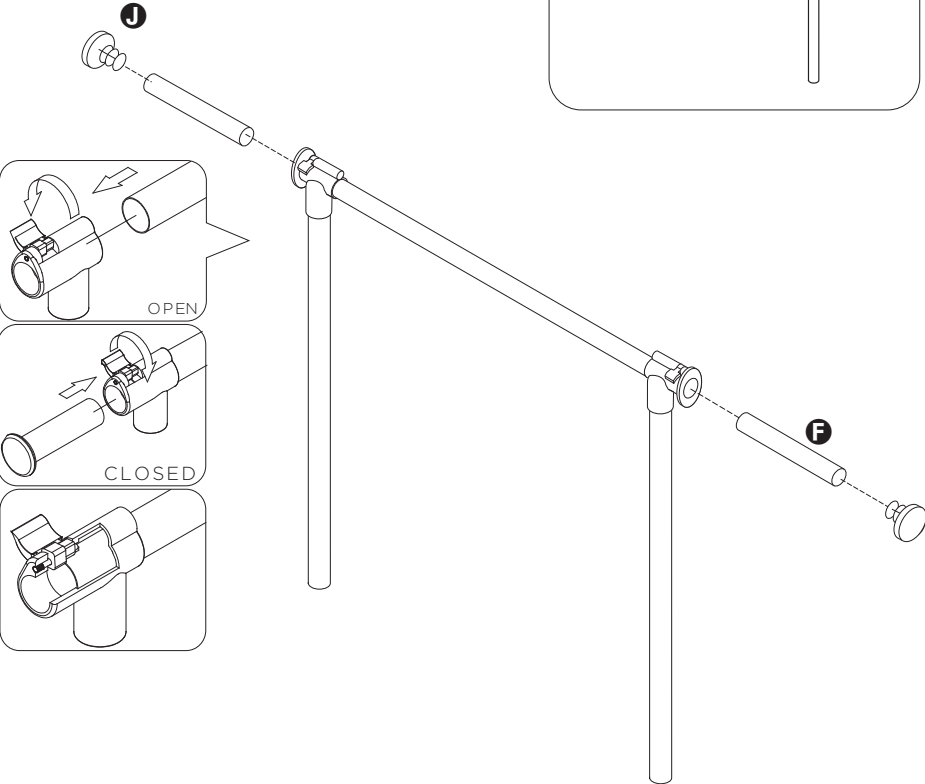
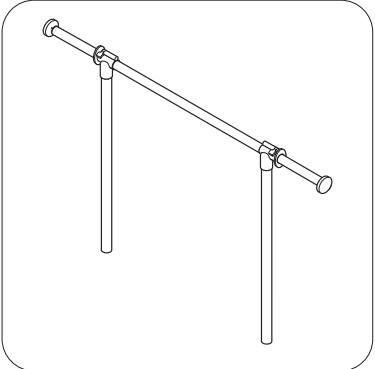
ASSEMBLY

2



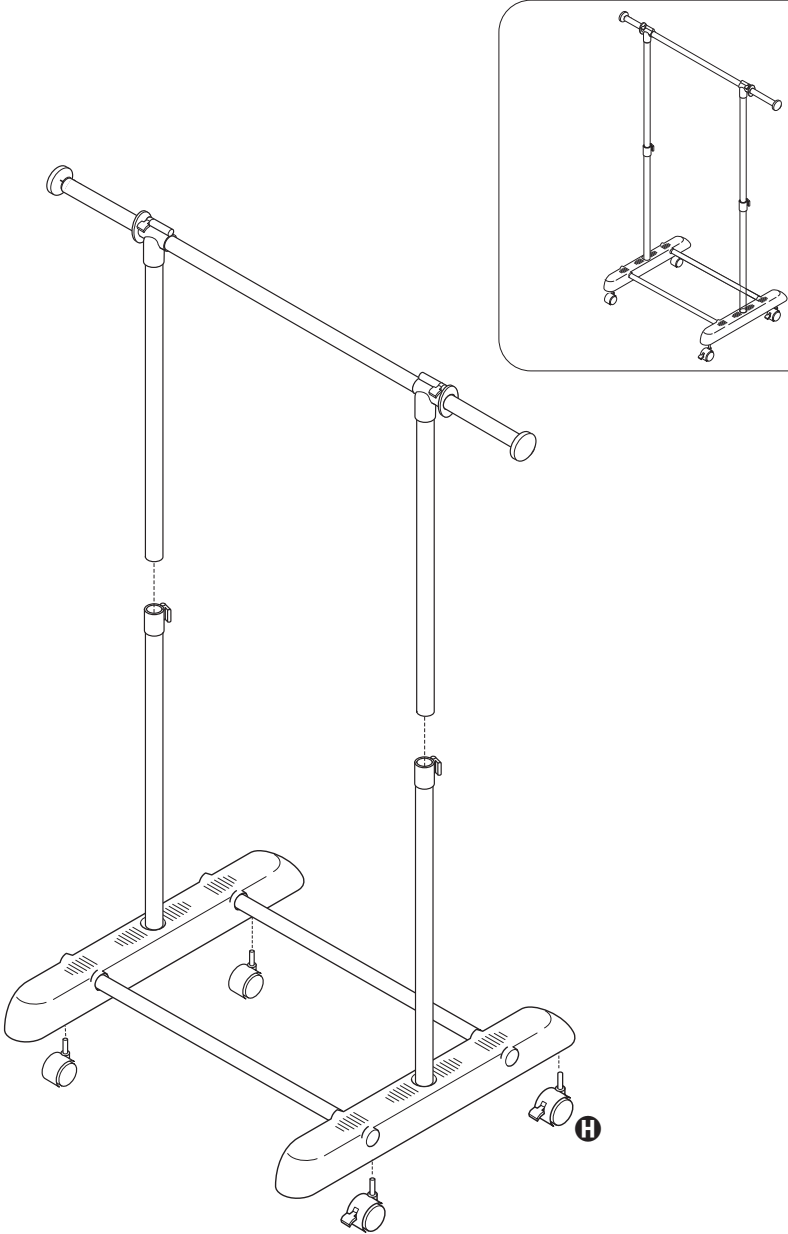
ASSEMBLY

3

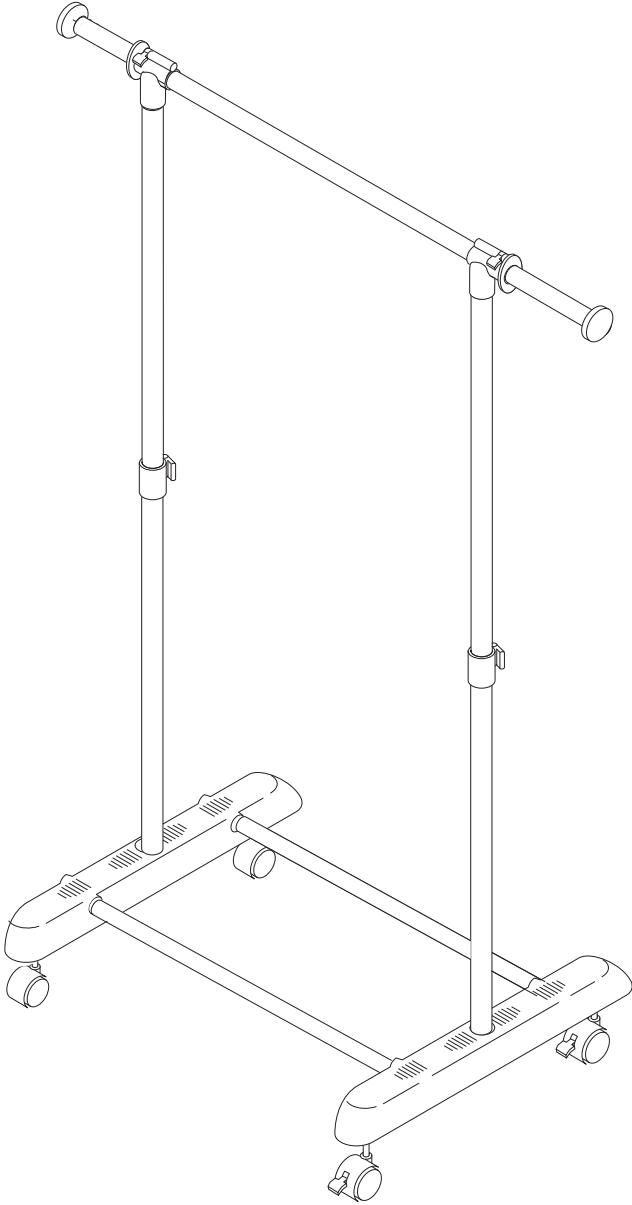


ASSEMBLY

4



ASSEMBLY





YOUR SOURCE FOR
ORGANIZATION,
STORAGE & STYLE

Honey-Can-Do International

5750 McDermott Drive, Berkeley, IL 60163 USA

877.242.2636 | www.honeycando.com

©2013 Honey-Can-Do International, LLC | All Rights Reserved