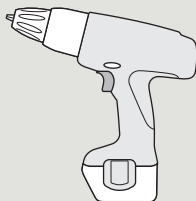
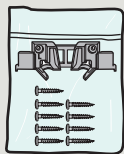
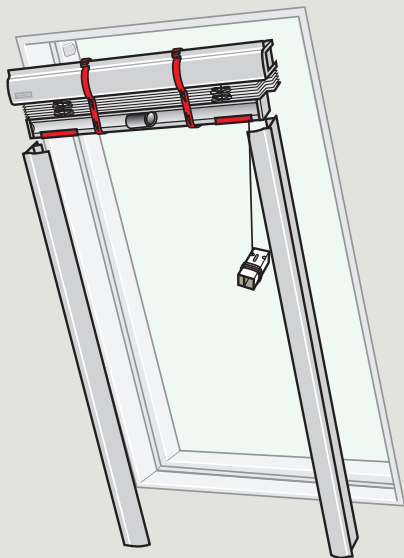


VELUX®

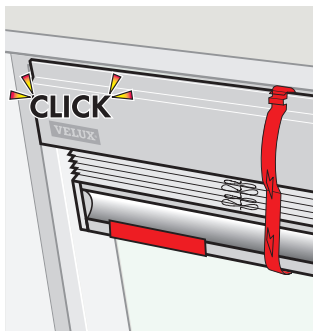
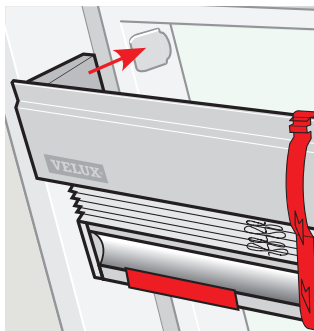
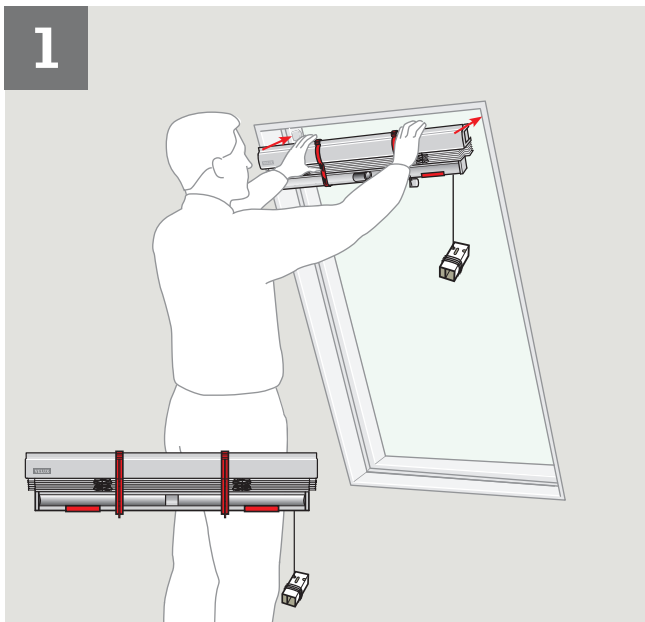
PAC/PAD/PAH



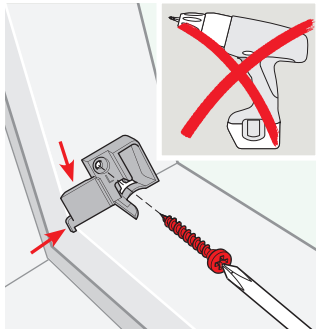
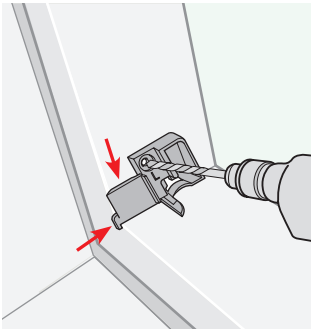
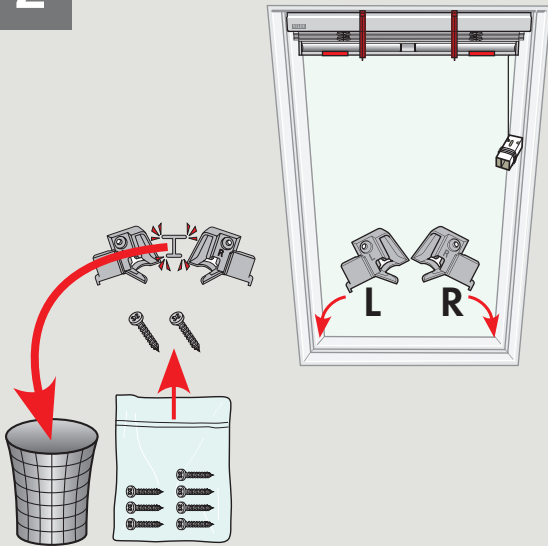
VAS 452184-2012-02



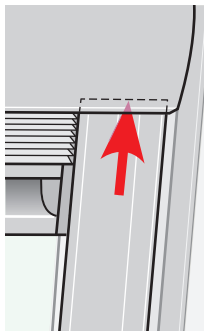
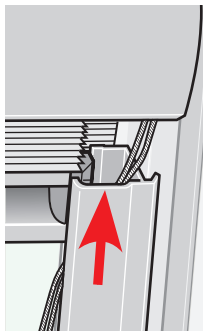
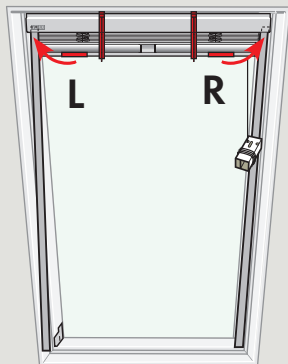
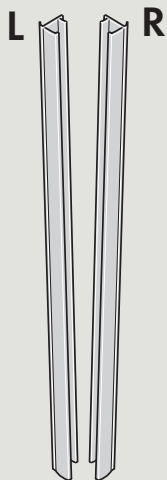
1



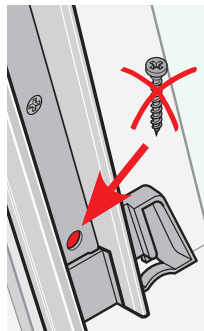
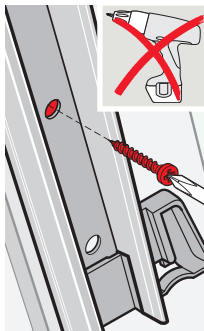
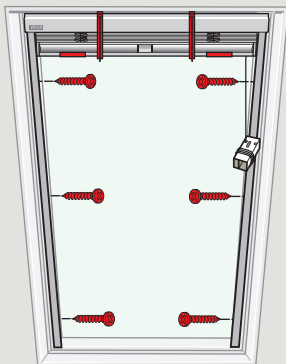
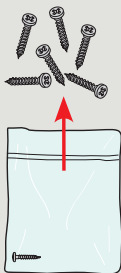
2



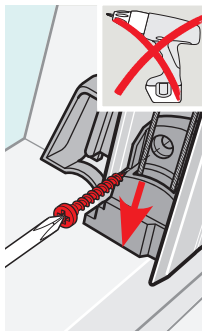
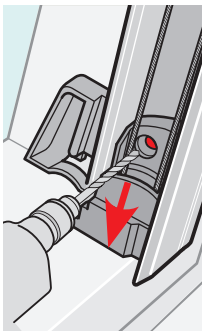
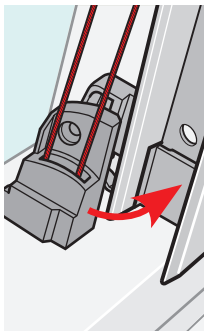
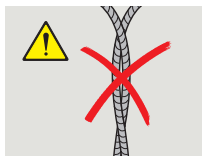
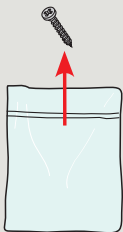
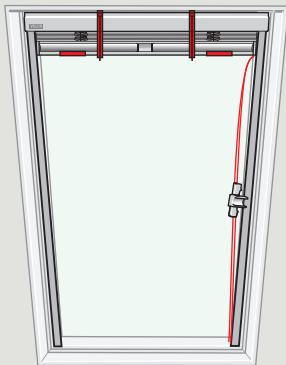
3



4



5

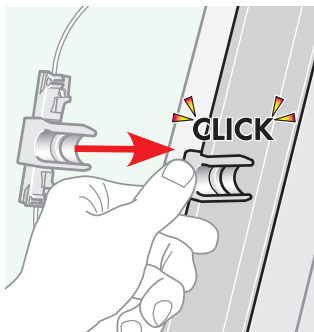
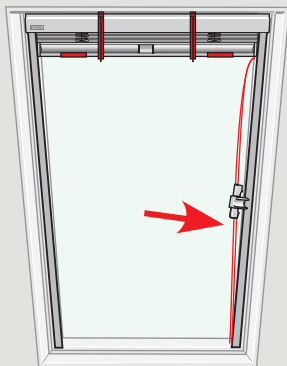


The logo consists of the word "VELUX" in a bold, white, sans-serif font, with a registered trademark symbol (®) to its upper right. The text is centered within a solid red rectangular background.

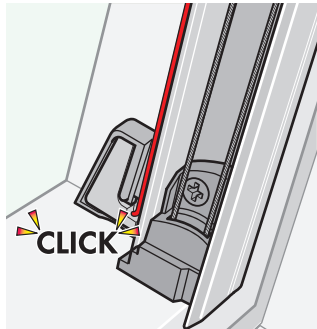
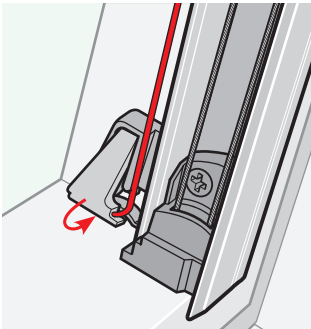
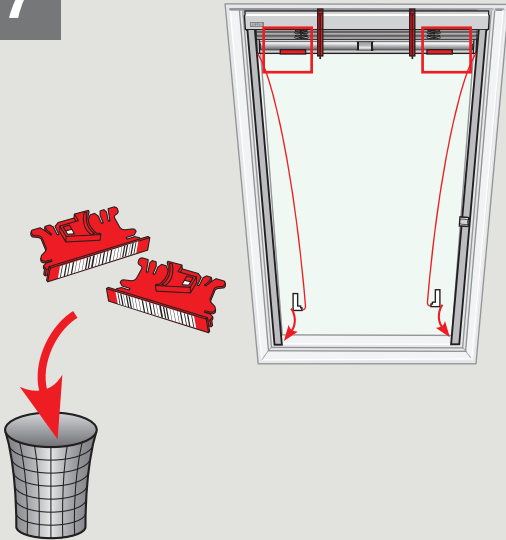
- USA:** VELUX America Inc.
1-800-88-VELUX
- CDN:** VELUX Canada Inc.
1 800 88-VELUX (888-3589)
- AUS:** VELUX Australia Pty. Ltd
1300 859 856
- NZ:** VELUX New Zealand Ltd.
09-6344 126
- J:** VELUX-Japan Ltd.
0570-00-8145

www.velux.com

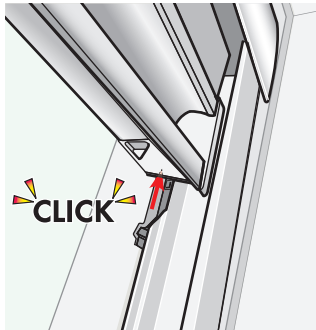
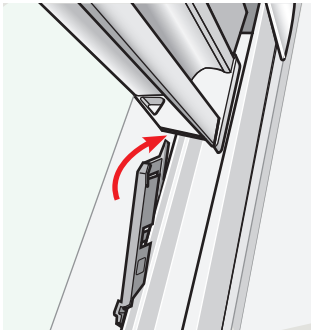
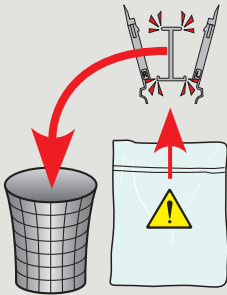
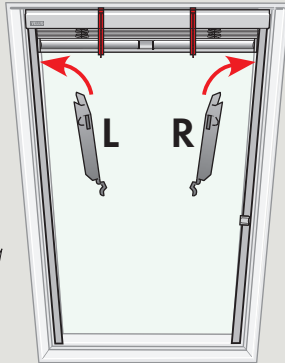
6



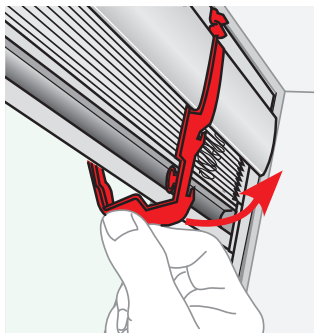
7



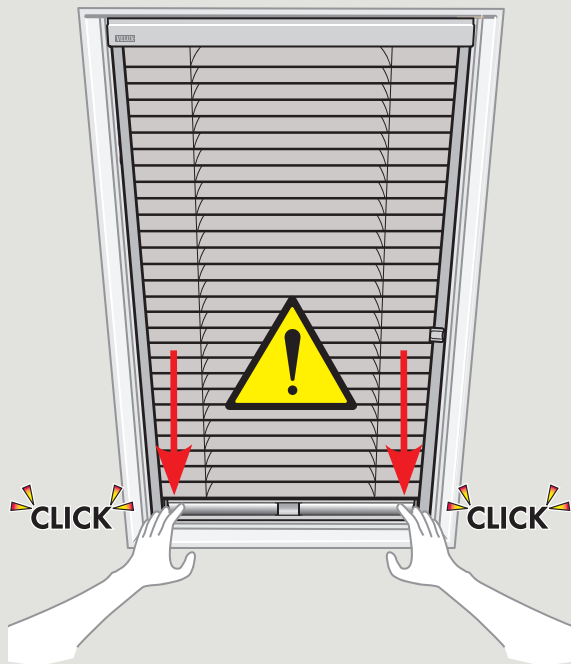
8



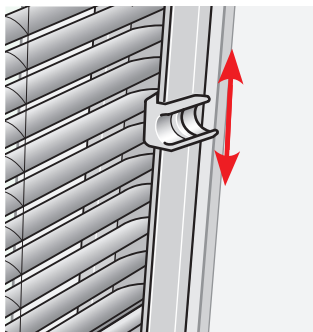
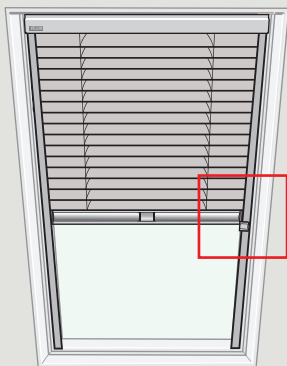
9



10



11





ZXT 200

