

Required tools	Parts in the box			
<p>Tape measure</p> <p>#2 Phillips screwdriver</p> <p>wood bit</p> <p>9,5 mm</p> <p>3,5 mm</p>	<p>Latch assembly</p>	<p>Latch cover</p>	<p>Yardlock</p>	<p>Screws</p> <p>F (12x)</p> <p>G (1x)</p>

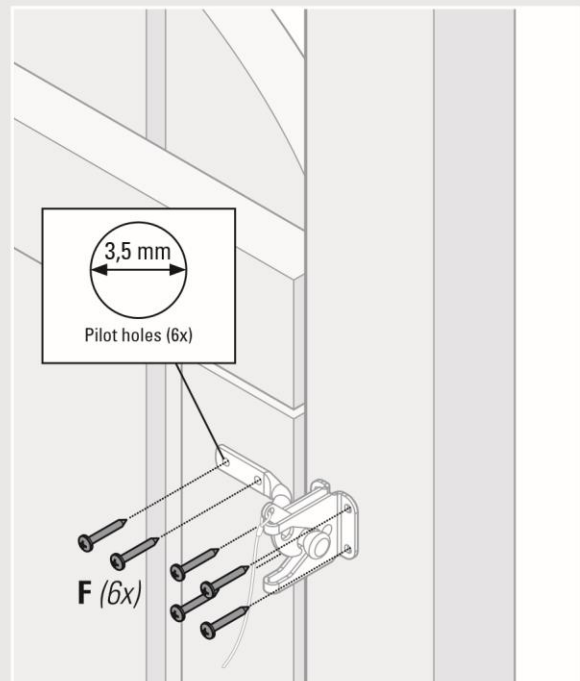
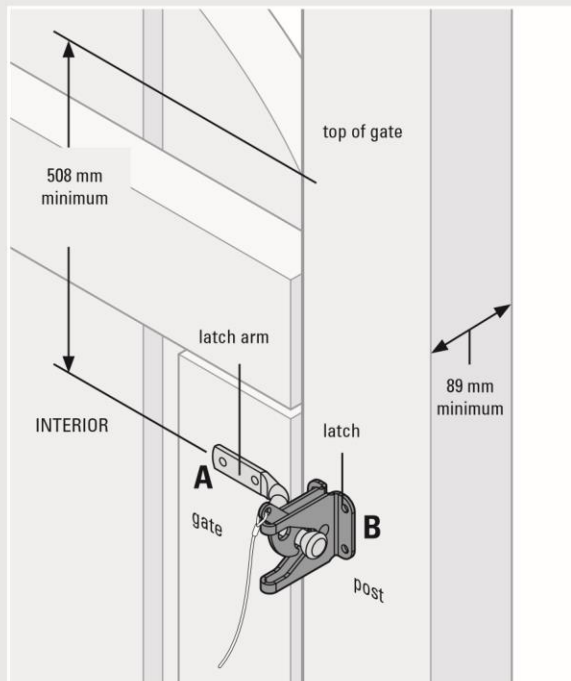
Important

The following instructions are for IN-SWINGING gates. Instructions for OUT-SWINGING gates are available at www.yardlock.ca.
If you have an out-swinging gate, it is recommended that you reverse your hinges to create an in-swinging gate for added security.

1 Install latch assembly on gate interior

A Insert latch arm into latch and position on gate.

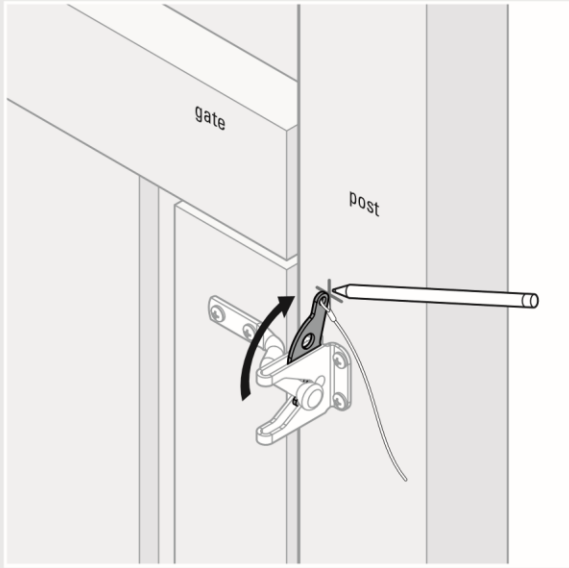
B Secure latch assembly with supplied screws.



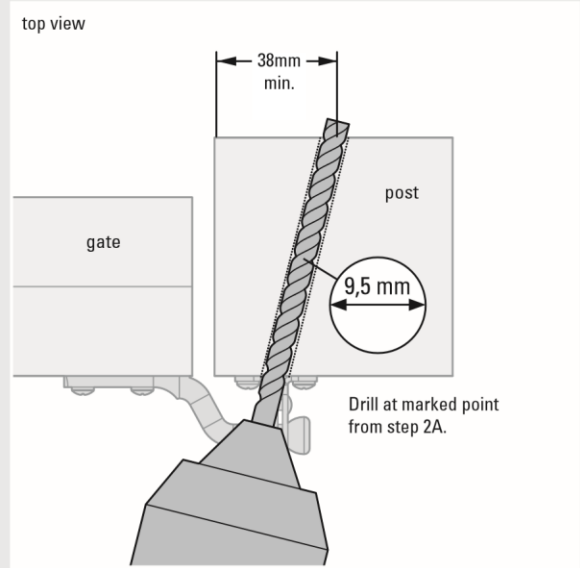
2

Drill hole for cable

A Mark the point where the catch meets the post.



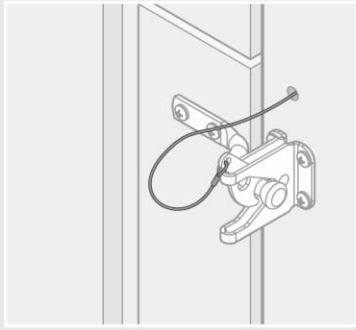
B Drill hole through post.



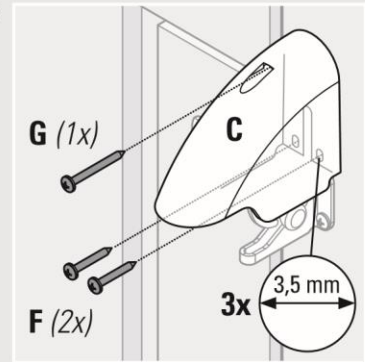
3

Install spring and latch cover

A Push cable through post.



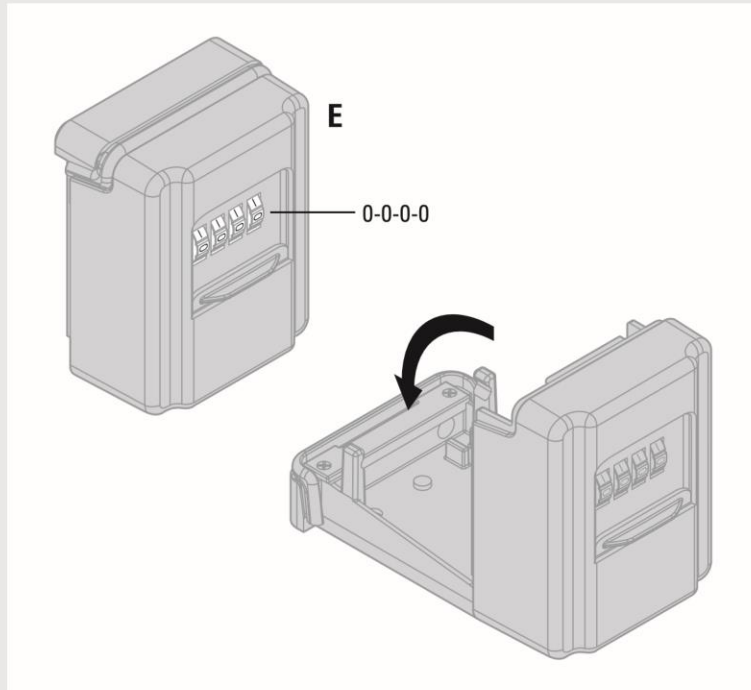
B Mount latch cover (C) on post above latch (B).



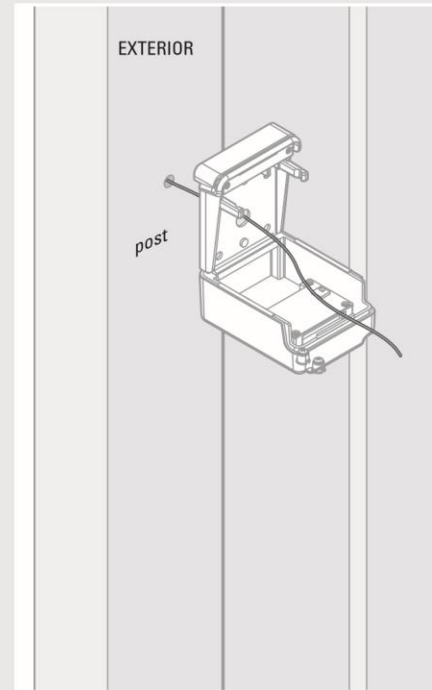
4

Install Yardlock

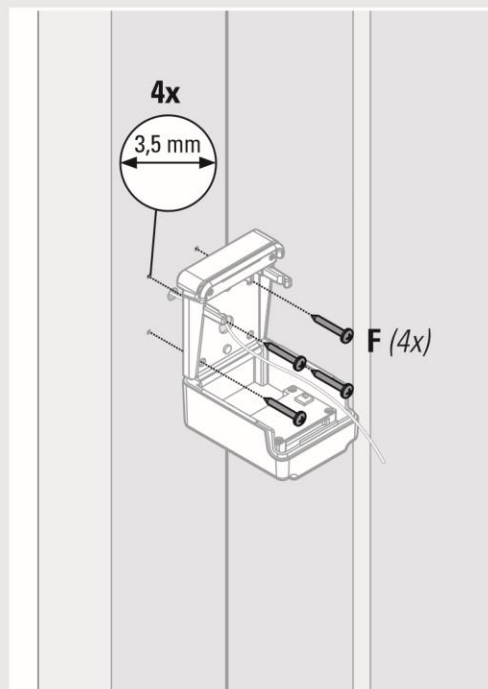
A Unlock Yardlock with default combination: 0-0-0-0



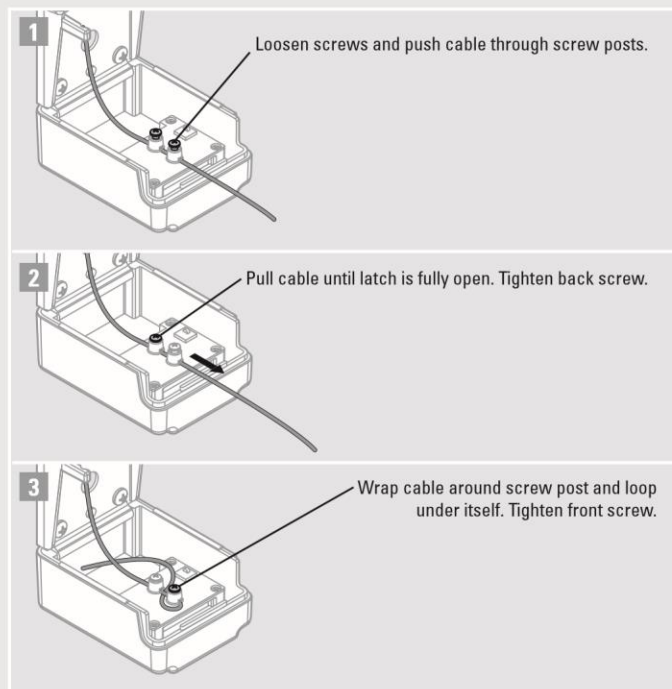
B Push cable through large hole in Yardlock.



C Mount Yardlock on post with holes aligned.



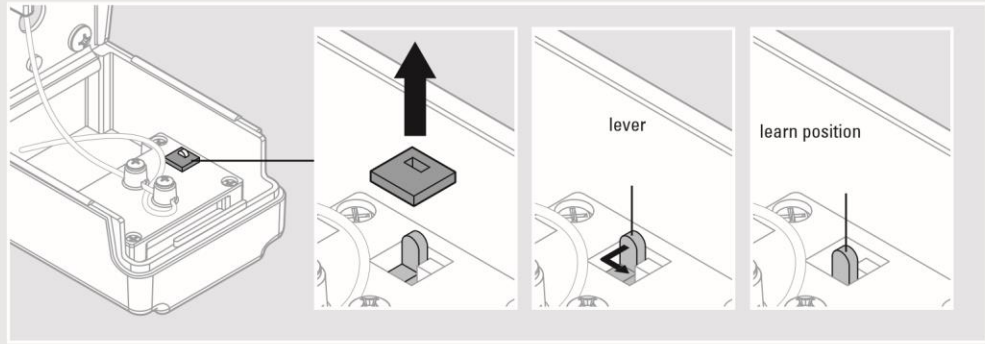
D Secure cable.



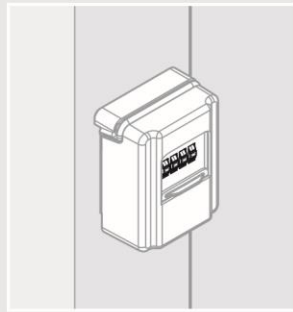
5

Set a new combination

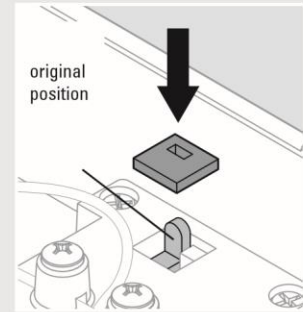
A Remove rubber cover and move lever to learn position.



B Close Yardlock and rotate dials to desired combination.



C Open Yardlock, move lever to original position, and install rubber cover.

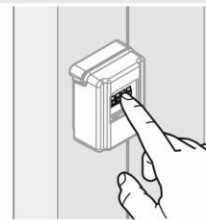


IMPORTANT: Write down and save your new combination in a safe place.

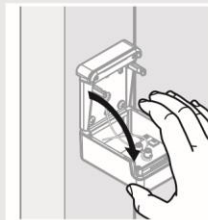


Normal Operation

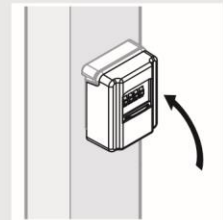
A Enter code.



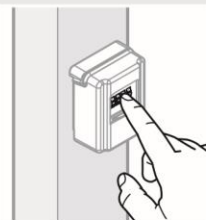
B Open Yardlock and gate.



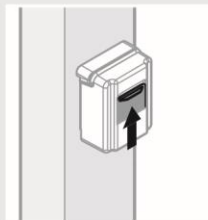
C Close Yardlock



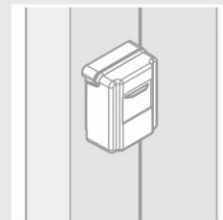
D Scramble dials.



E Close shutter.



F Close gate.



⚠ WARNING: This Manufacturer advises that no lock can provide complete security by itself. This lock may be defeated by forcible or technical means, or evaded by entry elsewhere on the property. No lock can substitute for caution, awareness of your environment, and common sense. Builder's hardware is available in multiple performance grades to suit the application. In order to enhance security and reduce risk, you should consult a qualified locksmith or other security professional.

