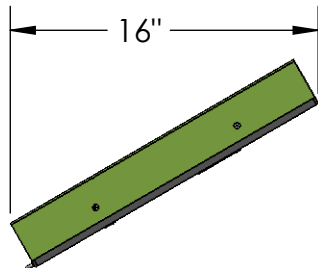
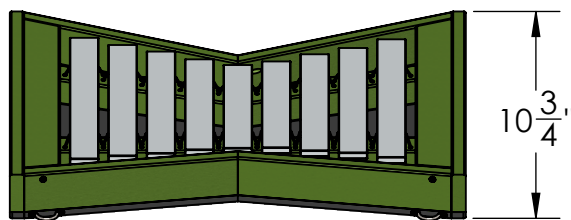
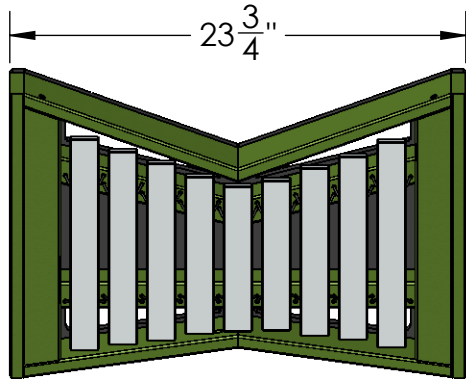
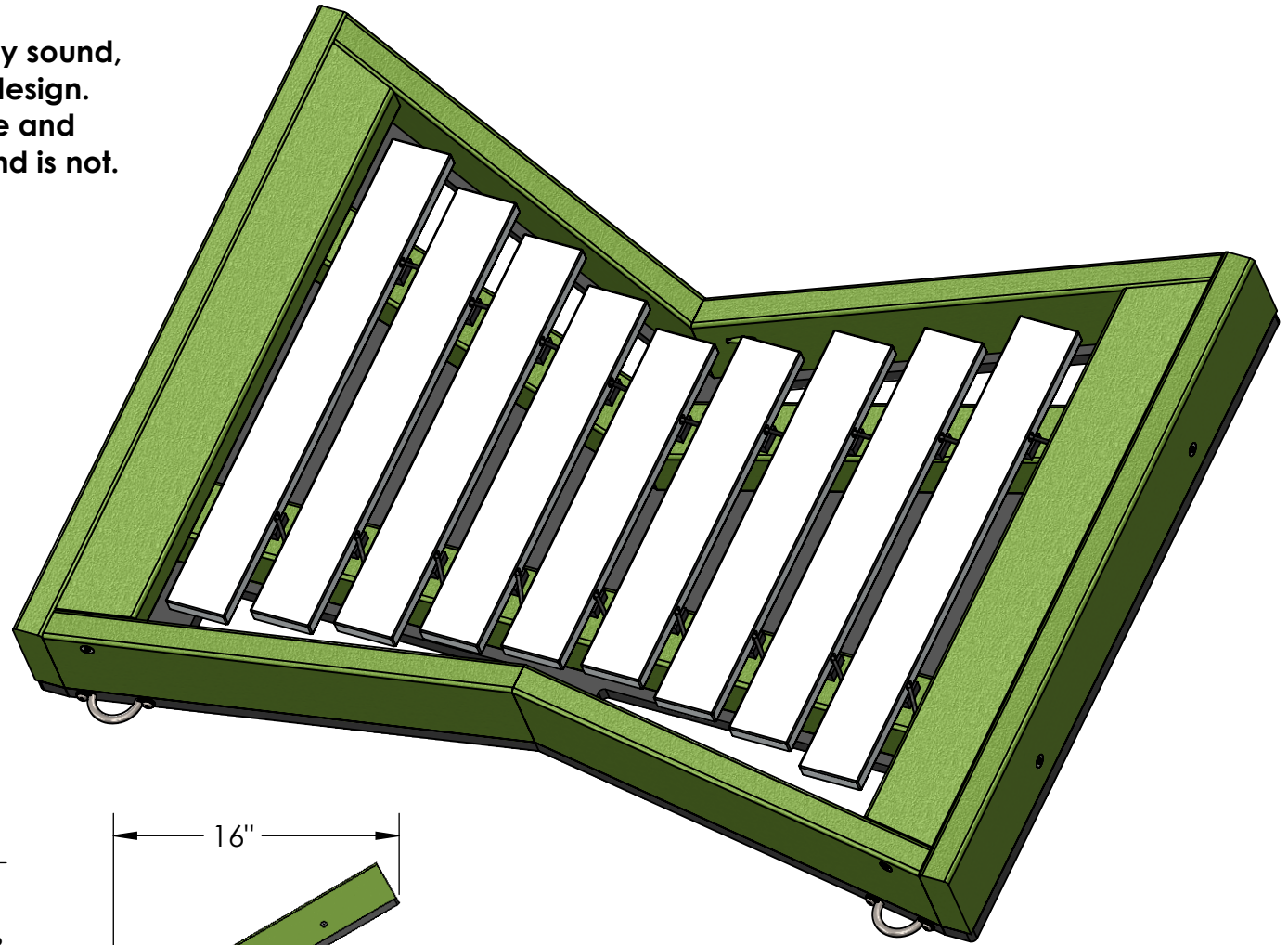


# MELODY

This Weenote has a beautiful twinkly sound, with 9 notes in a small but spicy design. Mounted on just one post, space and installation are minimized, but sound is not.

*C MAJOR DIATONIC*



FREENOTES HARMONY PARK  
 194 BODO DRIVE, UNIT F  
 DURANGO CO 81303  
 TEL: (970) 375-7825  
 FAX: (970) 247-0856  
 EMAIL: INFO@FREENOTESHARMONYPARK.COM  
 WWW.FREENOTESHARMONYPARK.COM

PROPRIETARY AND CONFIDENTIAL  
 THE INFORMATION CONTAINED IN THIS  
 DRAWING IS THE SOLE PROPERTY OF  
 FREENOTES HARMONY PARK. ANY  
 REPRODUCTION IN PART OR AS A WHOLE  
 WITHOUT THE WRITTEN PERMISSION OF  
 FREENOTES HARMONY PARK IS  
 PROHIBITED.

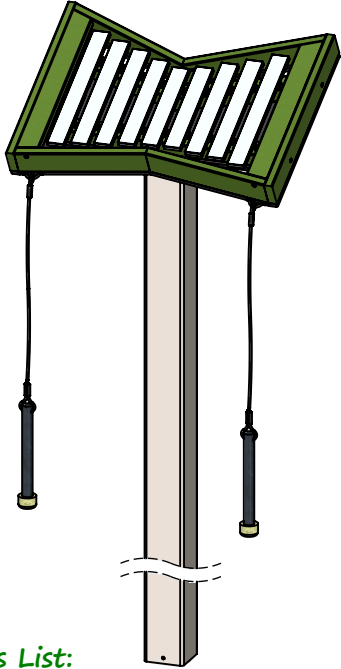
*MELODY 2016*  
 INSTALLATION GUIDE / PRODUCT SHEET

SCALE: 1:10  
 SHEET 1 OF 5

## MOUNTING OPTION IDENTIFICATION:

This instrument is offered with various mounting options. Identify your option below and follow installation instructions on the following sheets.

**Recycled Post In-Ground**  
Sheet 3 of 5



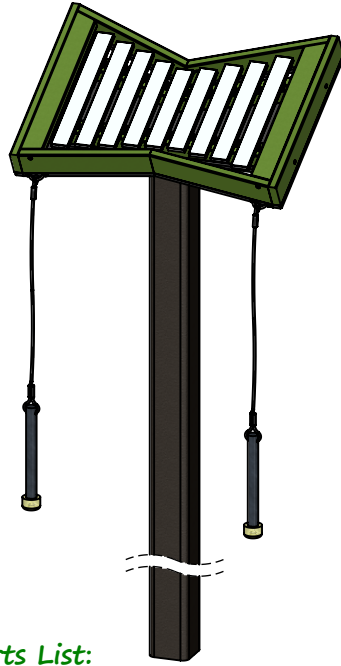
**Parts List:**

- Melody Instrument Assembly (1)
- In-Ground Post (1)
- 1 1/4" Tamper-Resistant Screw (5)
- Security Driver (1)
- Dual Drive #2 Screw (4)
- Holster (1)

**Weights:**

Boxed Instrument Weight, 25 lbs.  
Boxed Post Weight, 36 lbs.

**Steel Post In-Ground**  
Sheet 3 of 5



**Parts List:**

- Melody Instrument Assembly (1)
- In-Ground Post (1)
- 1" Tamper-Resistant Screw (5)
- 10-24 Tap (1)
- 11/64" Drill Bit (1)
- Security Driver (1)
- Dual Drive #2 Screw (4)
- Holster (1)

**Weights:**

Boxed Instrument Weight, 25 lbs.  
Boxed Post Weight, 28 lbs.

**Recycled Post Surface Mount**  
Sheet 4 of 5



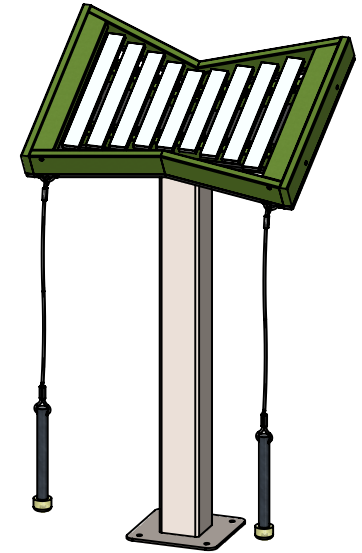
**Parts List:**

- Melody Instrument Assembly (1)
- Surface Mount Post (1)
- 1 1/4" Tamper-Resistant Screw (5)
- Security Driver (1)
- Ø3/8" x 5" Anchor Bolt (4)
- Plastic Anchor Cap (4)
- Dual Drive #2 Screw (4)
- Holster (1)

**Weights:**

Boxed Instrument Weight, 25 lbs.  
Boxed Post Weight, 35 lbs.

**Steel Post Surface Mount**  
Sheet 4 of 5



**Parts List:**

- Melody Instrument Assembly (1)
- Surface Mount Post (1)
- 1" Tamper-Resistant Screw (5)
- 10-24 Tap (1)
- 11/64" Drill Bit (1)
- Security Driver (1)
- Ø3/8" x 3 3/4" Anchor Bolt (4)
- Plastic Anchor Cap (4)
- Dual Drive #2 Screw (4)
- Holster (1)

**Weights:**

Boxed Instrument Weight, 25 lbs.  
Boxed Post Weight, 20 lbs.

## RECYCLED AND STEEL POST IN-GROUND INSTALLATION PROCEDURES

**Step 1:** Excavate one 10" diameter hole, 36" deep at the installation location. Contractor can modify post to desired height.

**Post Length = Frost Depth (36" Recommended) + Finished Height (Refer to Height Guideline)**

**Step 2:** Lower the post into the excavated hole.

**Step 3:** Refer to sheet 5 for installation of instrument to post.

**Step 4:** Verify the correct placement, levelness, plumbness, and finished height of the instrument. Also check for sufficient clearance around the instrument. A 36" radius is recommended around the instrument for wheelchair accessibility, however this is not required for instrument function. Instrument may be installed next to a wall or in a variety of different configurations.

**Step 5:** Last pour concrete around the post. It is recommended to brace the instrument to hold it rigid while the concrete cures. Leave to set according to the concrete manufacturers guidelines. Approximately (2) 80lb. bags will be needed.

### FINISHED HEIGHT GUIDELINE

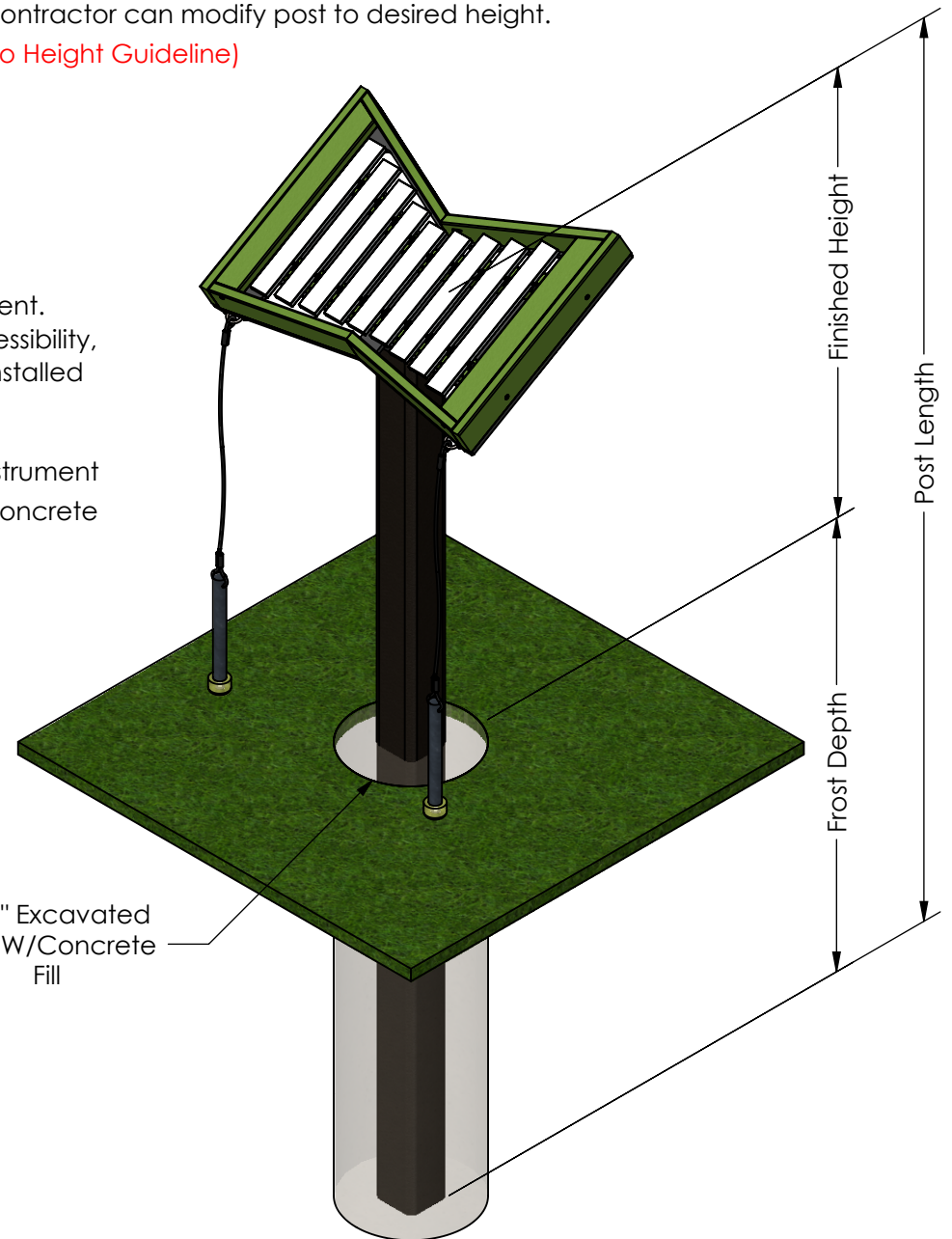
Ages 3-5, 22"

Ages 5-7, 27"

Ages 7-11, 32"

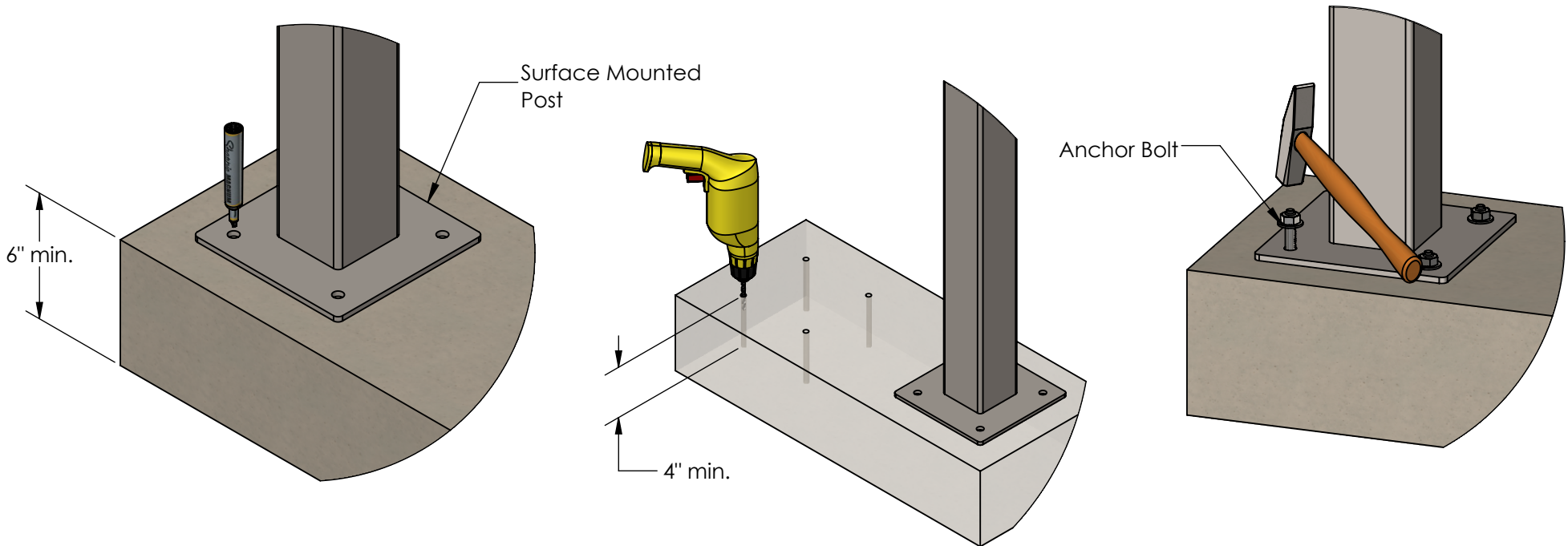
Adult, 36"

Ø 10" Excavated  
Hole W/Concrete  
Fill



# RECYCLED AND STEEL POST SURFACE MOUNT INSTALLATION PROCEDURES

- Step 1:** Determine installation location. Verify concrete footing is a minimum of 6" thick. If the concrete pad is at an angle, steel washers are required to act as shims. (Shims not provided)
- Step 2:** Stand the surface mount post upright onto the concrete pad. Mark the center of the holes on the surface mount plate. After you have made your marks, set aside the post in order to drill for anchor holes. With a hammer or rotary drill, drill through concrete at marked locations. Drill to a minimum depth of 4". (A 3/8" masonry drill bit will be needed)
- Step 3:** Place the surface mounted post back over the drilled out holes. Insert provided anchor bolts into aligned holes. Position anchor nut so that it is flush with the top of the bolt. Pound anchor bolts into the hole until the anchor washer is flush with the post base. Tighten anchor bolts until they are snug. Cover remaining bolt sections with provided plastic caps.
- Step 4:** Refer to sheet 5 for installation of instrument to post.
- Step 5:** Verify the correct placement, levelness, plumbness, and finished height of the instrument. Also check for sufficient clearance around the instrument. A 36" radius is recommended around the instrument for wheelchair accessibility, however this is not required for instrument function. Instrument may be installed next to a wall or in a variety of different configurations.





## HOLSTER AND INSTRUMENT TO POST INSTALLATION PROCEDURES

**Step 1:** Align Holster with instrument back with the corresponding arrows. Fasten Holster to back with the provided dual drive screws. Backs are predrilled. Screw heads should be flush with the Holster surface when properly installed. Holster must also be flush along the back. An extended square drive or Phillips will be needed. Drive screws in slowly to prevent stripping.

**Step 2: (Recycled Post Only)** With two people, situate the instrument onto the posts. Predrill 1/8" pilot holes into the posts through the existing holes on the instrument holster. Fasten the instrument to the posts with the provided 1 1/4" tamper-resistant screws and security driver.

**(Steel Post Only)** With two people, situate the instrument onto the posts. Predrill 11/64" pilot holes into the posts through the existing holes on the instrument holster. Next tap the holes with the provided 10-24 Tap, the Tap may be used with a cordless drill. Last fasten the instrument to the posts with the provided 1" tamper-resistant screws and security driver.

