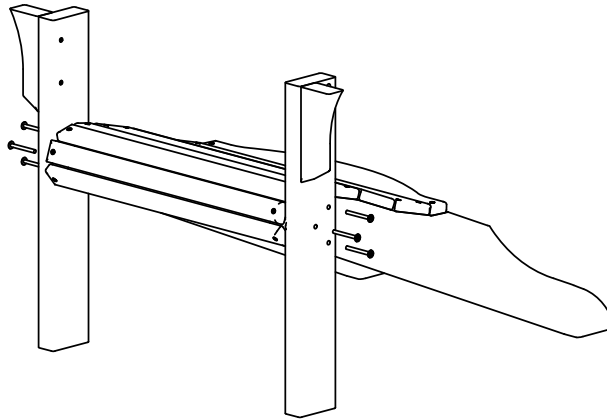


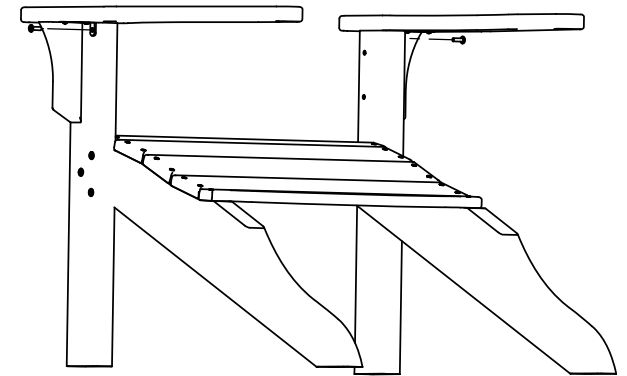
Model: SH22

- (1) Seat
- (1) Back
- (2) Front legs
- (2) Arms
- (1) Hardware pack

Step 1
Attach front legs to seat using
(6) 2¼" chair bolts



Step 2
Attach arms to front legs using
(2) ¾" chair bolts

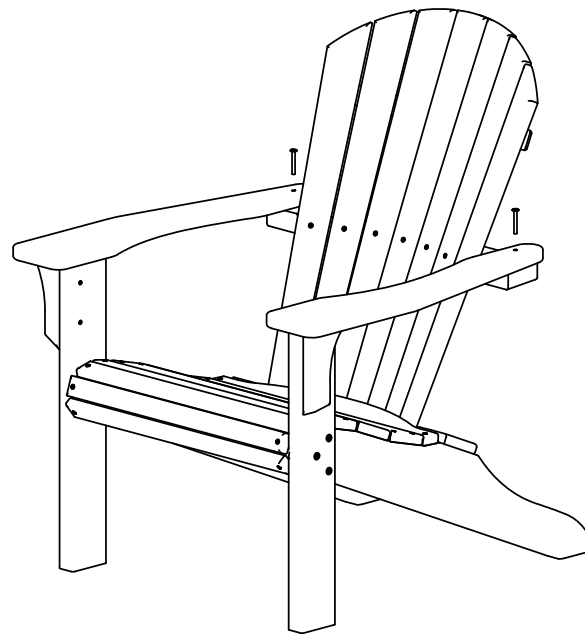


TOOLS NEEDED

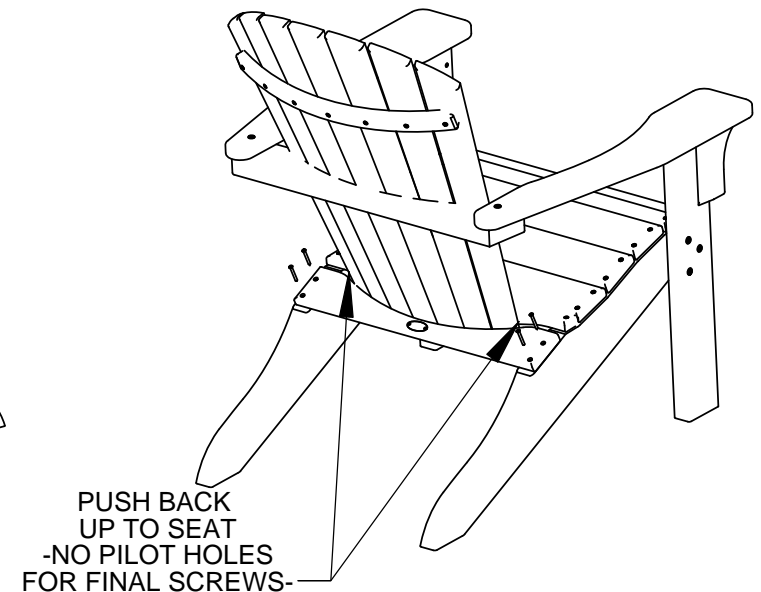


Phillips head screwdriver
Screw gun required
4mm HEX KEY, ALLEN, T-HANDLE
(INCLUDED)

Step 3
Attach arms to back using
(2) 1¾" chair bolts



Step 4
Attach back to seat using
(4) 1½" screws



Qty.	Description
4	A - 8 X 1-1/2 PHIL FLAT SCREW
2	B - 1/4-20 X 3/4 WAFER SHCS
2	C - 1/4-20 X 1-3/4 WAFER SHCS
6	D - 1/4-20 X 2-1/4 WAFER SHCS