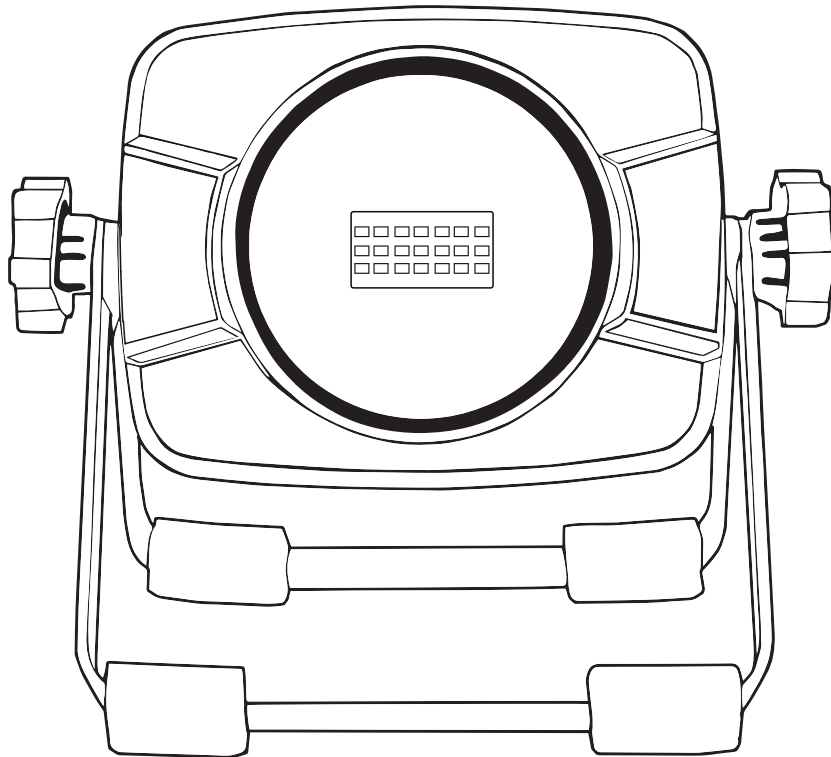


USE AND CARE GUIDE

LED WORK LIGHT 1000 LUMENS



Questions, problems, missing parts? Before returning to the store,
call Commercial Electric Customer Service
8 a.m. – 7 p.m., EST, Monday – Friday, 9 a.m. – 6 p.m., EST, Saturday

1-877-527-0313

HOMEDEPOT.COM

THANK YOU

We appreciate the trust and confidence you have placed in Commercial Electric through the purchase of this work light. We strive to continually create quality products designed to enhance your home. Visit us online to see our full line of products available for your home improvement needs. Thank you for choosing Commercial Electric!

Table of Contents

Table of Contents 2
Safety Information 2
Warranty 3
 What is Covered3
 What is Not Covered3

Specifications 3
 LED SPECIFICATIONS3
Operation 4

Safety Information


This product is not waterproof.

This device complies with Part 15 of the FCC Rules. Operation is subject to the following two conditions: 1). This device may not cause harmful interference and 2). this device must accept any interference received, including interference that may cause undesired operation.

Warning: Changes or modifications to this unit not expressly approved by the party responsible for compliance could void the user's authority to operate the equipment.

Note: This equipment has been tested and found to comply with the limits for a Class B digital device, pursuant to Part 15 of the FCC Rules. These limits are designed to provide reasonable protection against harmful interference in a residential installation. This equipment generates, uses, and can radiate radio frequency energy and, if not installed and used in accordance with the instructions, may cause harmful interference to radio communications. However, there is no guarantee that interference will not occur in a particular installation. If this equipment does cause harmful interference to radio or television reception, which can be determined by turning the equipment off and on, the user is encouraged to try to correct the interference by one or more of the following measures:

- Reorient or relocate the receiving antenna.
- Increase the separation between the equipment and receiver.
- Connect the equipment into an outlet on a circuit different from that to which the receiver is connected.
- Consult the dealer or an experienced radio TV technician for help.



WARNING: Deviation from the assembly instructions may result in a risk of fire or electric shock.

Warranty

5 YEAR LIMITED WARRANTY

WHAT IS COVERED

This product is guaranteed against failure due to factory defects in materials or workmanship for five (5) years from the date of purchase. This warranty is non-transferable and applies only to the original owner. Proof of purchase is required for repair or replacement.

WHAT IS NOT COVERED

This warranty does not cover normal wear of parts or damage resulting from any misuse of the product. Misuse of the product includes, but is not limited to: washing the product, using in extreme weather conditions, opening the product, or trying to remodel the product.

Important: This warranty is only valid if the product has been purchased through an authorized reseller.

Contact the Customer Service Team at 1-877-527-0313 or visit www.HomeDepot.com.

Specifications

LED SPECIFICATIONS

Light Output/Lumens.....	1000
Input Voltage Range.....	120v
Wattage.....	13w
Efficacy (Lumens Per Watt).....	77
CRI.....	80
CCT.....	4000K
LED Life.....	50,000 hrs

Operation

1 Plugging in the light

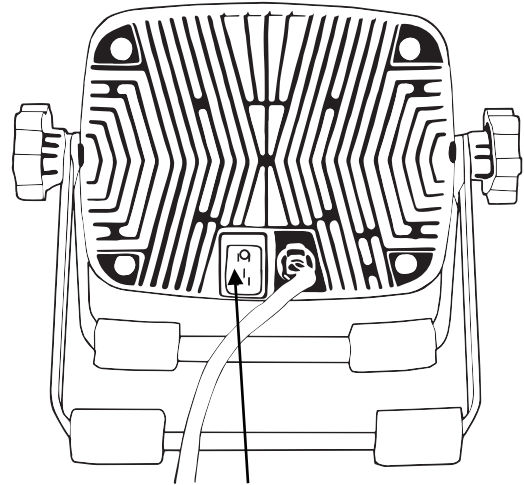


NOTE: It is not possible to change the LED light source.

- Plug the light into an electrical outlet.

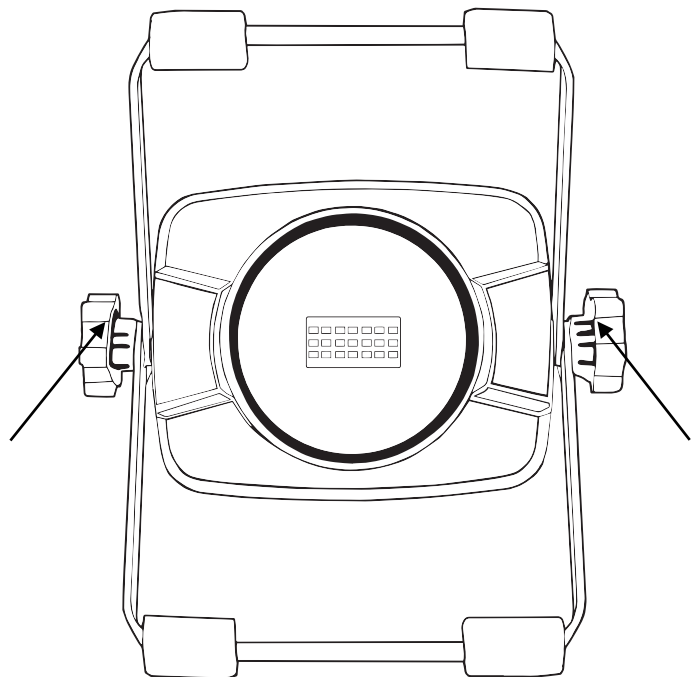
2 Turning on the light

- Press the power button located on the back of the light to turn the light on. Press again to turn the light off.



3 Adjusting the legs

- The legs can be adjusted by loosening the knobs on both sides of the head. Tighten the knobs once the light is in the desired position.





Questions, problems, missing parts? Before returning to the store,
call Commercial Electric Customer Service
8 a.m. – 7 p.m., EST, Monday – Friday, 9 a.m. – 6 p.m., EST, Saturday

1-877-527-0313

HOMEDEPOT.COM

Retain this manual for future use.