

# INSTALLATION INSTRUCTIONS

## PASSAGE™ CUSTOM SHOWER WALL SYSTEM

### MODELS: P2971SWT, P2974BWT

*American Standard*

Visit <http://www.americanstandard-us.com/passage-collection> for coordinating products.

Thank you for selecting American Standard – the benchmark of fine quality for over 100 years. To ensure this product is installed properly, please read these instructions carefully before you begin. (Certain installations may require professional help.) Also be sure your installation conforms to local codes.

#### BEFORE YOU BEGIN....

Local building codes vary by location. Observe all local plumbing and building codes.

Unpack your new shower walls and inspect them carefully for damage. Verify that the walls are the correct size for your installation. Refer to American Standard roughing-in information in the spec page for specific dimensions for each model.

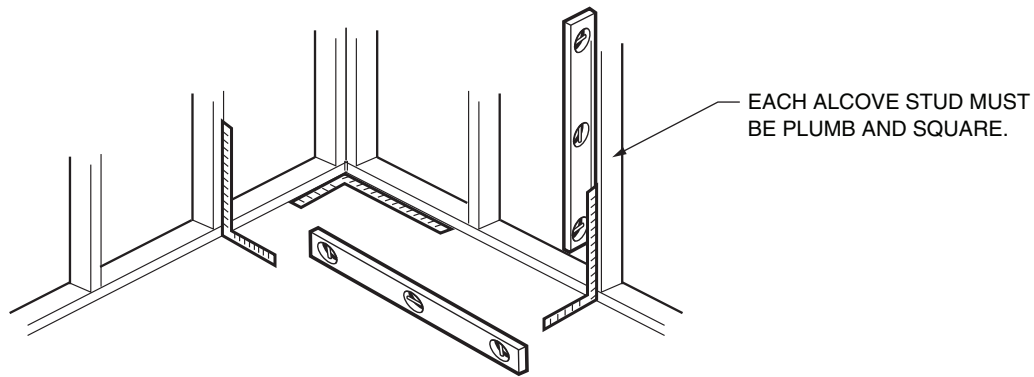
**NOTE:** Take extra care in handling the front surfaces of the walls. Use only non-abrasive cloths to avoid scratching.

#### REQUIRED TOOLS AND MATERIALS

TOOLS:	MATERIALS:	INCLUDED MATERIALS:
Notched Trowel	Suction Cups	x2 Tubes Adhesive
Pencil	Mineral Spirits	x1 Tube Color Matched Sealant
Tape Measure		
Drill		
Caulking Gun		
Hole Saw or		
Circular Saw		
Level		
Square		

**PREPARATION:** Must be installed over SHEETROCK/GREENBOARD or CEMENT/CONCRETE.

**Illustration 1**



#### A) WALL SURFACE PREPARATION

Ensure wall surface is dry, smooth, and free of dust, soap scum, mold or other contaminants. Wipe wall surfaces with a damp cloth and allow to dry.

Wall surface must be dry before panels can be applied.

Ensure that alcove is plumb and square. (Illustration 1)

#### INSTALLATION over OLD TILE

Rough up glossy tile surfaces using belt sander with 60-grit sandpaper.

Surface must be dry, smooth and free of any dust or any other contaminants.

Wipe wall surfaces with a damp cloth and allow to dry.

#### B) ROUGH PLUMBING & FITTINGS MUST BE INSTALLED BEFORE WALLS

Turn off hot & cold water supplies.

Remove faucet handles, escutcheons, filler spouts and any other fixtures & fittings (e.g. towel bars, soap dishes, etc.).

Use hammer & chisel to remove objects cemented to walls.

Old ceramic tiles, if solidly adhered to walls, need not be removed.

Loose ceramic tiles must be removed and sub walls sanded smooth.

#### C) IF YOU PLAN TO INSTALL A SHOWER DOOR

Follow manufacturer's instructions and prepare stud wall accordingly.

SAVE FOR FUTURE USE

# 1

## DRY FITTING THE TONGUE AND GROOVE PANELS ON THE WALL

- 1) Dry fit the panels starting with the rear most panels first. Keep a 1/8" (5mm) gap above the tub deck or shower base for all panels. When connecting several panels together, panels use a tongue and groove system to connect to each other.  
**See Illustration 2.**

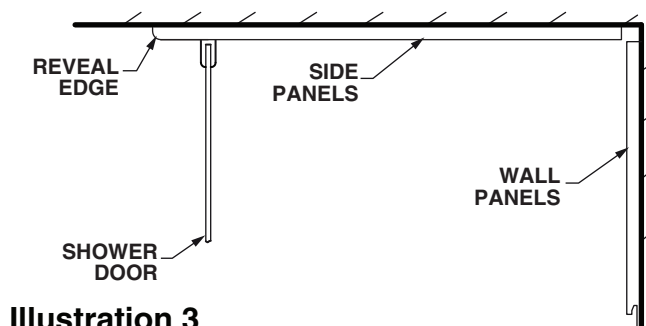
**NOTE:** The use of suction cups will aid in the handling and installation of the shower wall panels.



- 2) Dry fit the 2 side panels next. On one side of the panel is a finished or reveal edge that can be installed on the outside or entrance edge of the shower to give a finished look not requiring standard wall trim.

**See Illustration 3.**

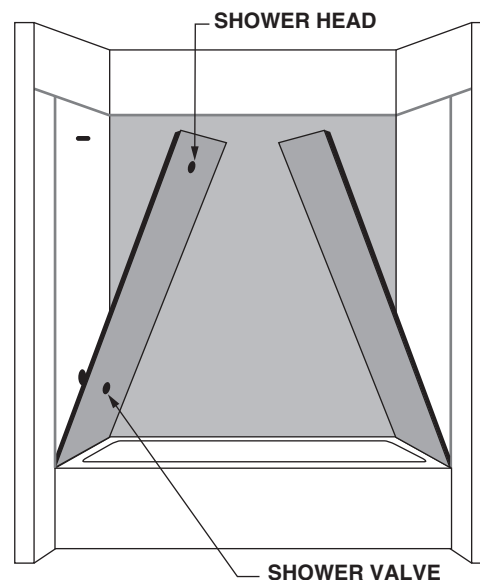
If the wall or tub is out of square, trim or cut from bottom edge of side panels so that the top edge of the panels are level with the top edge of the back panels.



**Illustration 3**

- 3) Once both side panels are properly dry fitted, mark all plumbing locations where shower valves or shower heads come through the side panel. Drill holes at each location using hole saws large enough to accommodate the opening but small enough to be covered by the trim plates, then apply color matched sealant around trim plate. Drill from the finished side.

**See Illustration 4.**



**Illustration 4**

# 2

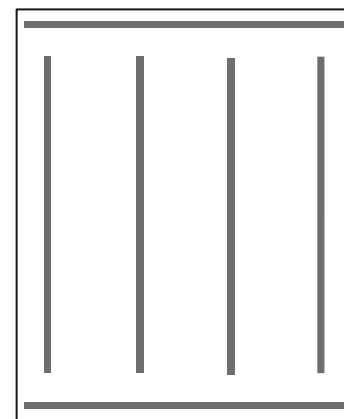
## APPLYING ADHESIVE TO DRYWALL AND TONGUE AND GROOVE PANELS

**NOTE: DO ONLY ONE WALL AT A TIME.**

- 1) Wipe all back side of panels and walls with a damp cloth to remove any dust or debris and allow to fully dry.
- 2) Starting with the rear or back panels first, apply adhesive on the dry wall in 4 evenly spaced vertical strips for each panel top to bottom.

**See illustration 5.**

Then apply one row of adhesive horizontally across the top and one near the bottom. Also apply the "Color Matched" adhesive directly to both tongue and groove of the panels.



**Illustration 5**

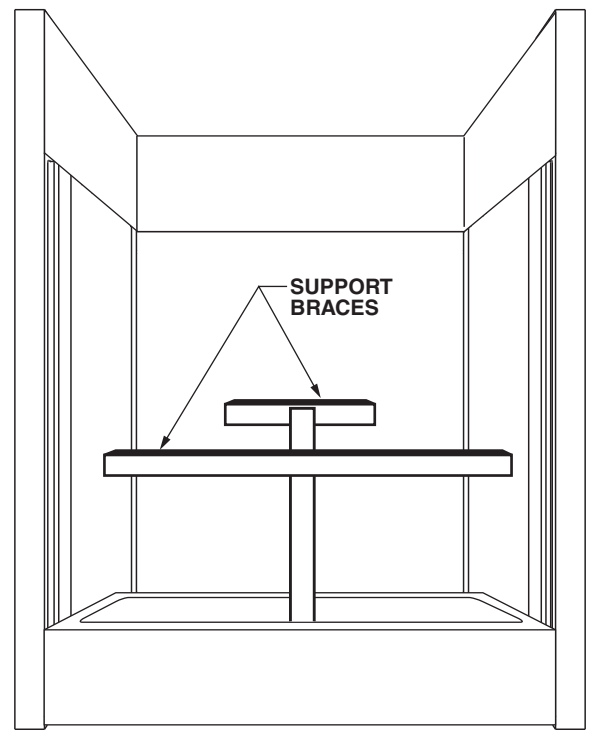
- 3) With the aid of suction cups, move first rear panel onto the wall keeping a space of approximately 1/8" (5mm) off the surface of the tub deck or shower base. Press panel firmly over entire surface to ensure firm contact of panel to adhesive on wall.

**NOTE: It may be necessary to brace or support the panels against the wall until the panels stay securely in place.**

See illustration 6.

- 4) Apply adhesive as in Step 2 and place second rear panel on wall and snap into place of the tongue and groove of the first panel keeping approximately 1/8" (5mm) gap between bottom of panel and tub. Do not force or tap the groove edge to close the joint. Press firmly over entire area of panel to securely hold in place. Wipe any excessive adhesive that comes out between the tongue and groove with mineral spirits.
- 5) Apply side panels in the same manor keeping the finished, reveal edge to the outside or entrance of the tub or shower pan using the same adhesive pattern. Provide a gap of approximately 1/8" (2mm) in the corners between the side and rear panels to accommodate adhesive. Wipe off any excessive adhesive with mineral spirits.

**Illustration 6**



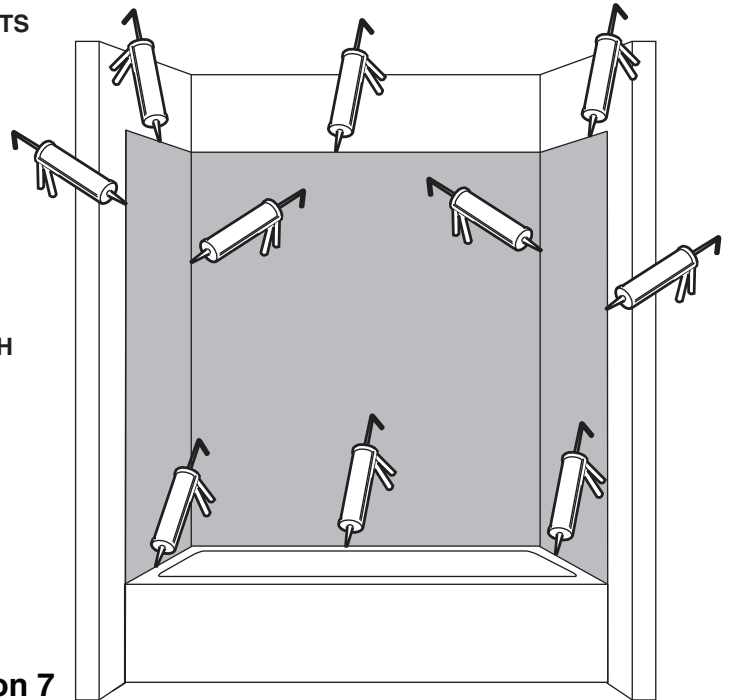
### **3 APPLYING COLOR MATCHED SEALANT FOR SEAMS AND JOINTS**

**NOTE: Color Matched Sealant is colored or matched to the approximate color of panel being installed. This helps ensure sealant is not as visible.**

- 1) Once all panels are securely in place and set, apply the Color Matched sealant to all corners, seams between panels and gaps between bottom panels and tub. See Illustration 7.

**NOTE: WIPE ANY EXCESS ADHESIVE FROM THE PANEL WITH MINERAL SPIRITS.**

**Illustration 7**



### **4 INSTALLING SHOWER HANDLE & SHOWER HEAD**

- 1) Install the shower handle and shower head per the manufacturer's instructions. Be sure to apply sealant to all trim plates.

**NOTE: Allow 24 hours for the sealant to dry before use.**

### **5 INSTALLING SHOWER SHELVES**

Follow manufacturer's instructions.

**IMPORTANT:** Apply color matched sealant over the threads of mounting screws AND around outside of each wall anchor to seal out moisture and water. The shelf/shelves must be supported to the wall behind the Passage wall panel. The Passage wall itself must not support the weight of the shelf/shelves.

- 6) Install the shower door or shower curtain rod according to the manufacturer's instructions.

## POST INSTALLATION CLEAN-UP

Remove all construction debris. Tile grout can be removed with a wooden popsicle stick or tongue depressor. Do not use wire brushes or any other metal implement on surface.

Post installation clean-up generally can be completed using warm water and liquid dishwashing detergent. Stubborn dirt or stains may be removed using granular Spic and Span® mixed with water.

Painter's naphtha can be used to remove excess adhesives and/or wet oil-base paint.

## AFTERCARE and CLEANING

**! WARNING:** Cleaning products with labels that say "not suitable for use with ABS, acrylic or polystyrene" **SHOULD NOT BE USED.** Read all labels carefully.

- Excessively hot water may cause surface damage.
- **HARSH CHEMICALS SHOULD NEVER BE USED ON SHOWER WALL SURFACE.** Clean after use with a mild liquid household detergent cleaner. Do not use Lestoil®, Lysol® Disinfectant (spray or concentrate), or Lysol® Basin, Tub and Tile Cleaner, Windex®, Mr. Clean®, Dow® Disinfectant Bathroom Cleaner, or cleaning products in aerosol cans.
- Do not use wire brushes, knives or sharp objects to remove stains, cigarette tar deposits, or other surface blemishes.
- Abrasive cleaners or powders must not be used, since they will dull the surface. If the glossy surface loses its sheen, dulled areas or light scratches can be restored by rubbing with a white "automotive type" polishing compound and waxing with a "liquid wax."
- **Do not wax areas where you walk or stand.**
- Do not allow nail polish remover, acetone, dry cleaning fluid, paint remover or other solvents to come into contact with the surface.
- Clean the surrounding surface immediately after using caustic drain cleaners.
- Burning cigarettes will damage the surface.
- Should damage to the fixture occur, repairs can be made quickly and easily. Your distributor or builder can provide details.

## AS America, Inc. 10 Year Limited Warranty for PASSAGE Bath Walls

AS America, Inc. ("American Standard") warrants to the original consumer purchaser that it will, at its option, repair or replace these walls or any of its parts that are found by American Standard, in its sole judgment, to be defective under normal residential use and maintenance so long as it is owned by the original consumer purchaser.

To activate this limited warranty, the purchaser must go online to our website at [www.americanstandard-us.com/warranty](http://www.americanstandard-us.com/warranty) to register their bath walls within thirty (30) days of purchase.

In no event will American Standard be liable for the cost of repair or replacement of any installation materials including but not limited to tiles, marble etc.

This limited warranty DOES NOT COVER the following:

1. Defects or damages arising from shipping, installation, alterations, accidents, abuse, misuse, lack of proper maintenance and cleaning as directed in the owner's manual and use of other than genuine American Standard replacement parts, in all cases whether caused by a plumbing contractor, service company, the owner or any other person.
2. Deterioration through normal wear and tear and the expense of normal maintenance.
3. Commercial application.
4. Options and accessories. American Standard's limited warranty on these items is one year for parts only and excludes labor. This one year limited warranty covers accessories manufactured by American Standard (e.g. aprons, drains, grab bars, heaters, trim kits) against defects of material or workmanship. Warranty coverage begins on the date the accessory was originally purchased by the owner.
5. Postage or shipping costs for returning products for repairs or replacement under this limited warranty and labor or other costs incurred in connection with product removal or installation under this limited warranty.
6. ANY LIABILITY FOR CONSEQUENTIAL OR INCIDENTAL DAMAGES, ALL OF WHICH ARE HEREBY EXPRESSLY DISCLAIMED, OR THE EXTENSION BEYOND THE DURATION OF THIS LIMITED WARRANTY OF ANY IMPLIED WARRANTIES, INCLUDING THOSE OF MERCHANTABILITY OR FITNESS FOR AN INTENDED PURPOSE. (Some jurisdictions do not allow limitations on how long an implied warranty lasts, or the exclusion or limitation of incidental or consequential damages, so these limitations and exclusions may not apply to you.)
7. Responsibility for compliance with local code requirements. (Since local code requirements vary greatly distributors, retailers, dealers, installation contractors and users of plumbing products should determine whether there are any code restrictions on the installation or use of a specific product.)

This warranty gives you specific legal rights. You may have other legal rights that vary from state to state. For service under this warranty, you should contact the following:

### **In the United States:**

American Standard Brands  
1 Centennial Ave  
Piscataway, New Jersey 08854  
Attention: Director of Consumer Affairs

For residents of the United States, warranty information may also be obtained by calling the following toll free number: (800) 442-1902  
[www.americanstandard.com](http://www.americanstandard.com)

### **In Canada:**

AS Canada ULC  
5900 Avebury Rd.  
Mississauga, Ontario  
Canada L5R 3M3  
Toll Free: (800) 387-0369  
[www.americanstandard.ca](http://www.americanstandard.ca)

### **In Mexico:**

American Standard B&K Mexico  
S. de R.L. de C.V.  
Via Morelos #330  
Col. Santa Clara  
Ecatepec 55540 Edo. Mexico  
Toll Free: 01-800-839-1200  
[www.americanstandard.com.mx](http://www.americanstandard.com.mx)

# INSTRUCCIONES DE INSTALACIÓN

American  
Standard

## SISTEMA PERSONALIZADO DE PAREDES DE DUCHA PASSAGE™

MODELOS: P2971SWT, P2974BWT

Visite <http://www.americanstandard-us.com/passage-collection> para ver los productos que hacen juego.

Gracias por elegir American Standard, el parámetro de excelente calidad por más de 100 años. Para asegurar que este producto se instale de manera adecuada, lea las instrucciones con atención antes de comenzar. (Para algunas instalaciones puede necesitarse ayuda profesional). Realice la instalación de conformidad con los códigos locales.

### ANTES DE COMENZAR...

Los códigos de construcción varían de un lugar a otro. Respete todos los códigos locales de edificación y plomería.

Desempaque sus nuevas paredes de ducha y fíjese atentamente que no estén dañadas. Verifique que las paredes sean del tamaño correcto para su instalación. Consulte la información de preparación de American Standard en la página de especificaciones para obtener las dimensiones específicas de cada modelo.

**NOTA:** Tenga mucho cuidado al manipular las superficies frontales de las paredes. Use únicamente paños no abrasivos para evitar los rayones.

### HERRAMIENTAS Y MATERIALES NECESARIOS

**HERRAMIENTAS:** Espátula dentada  
Lápiz  
Taladro  
Sierra de perforación o  
Sierra circular

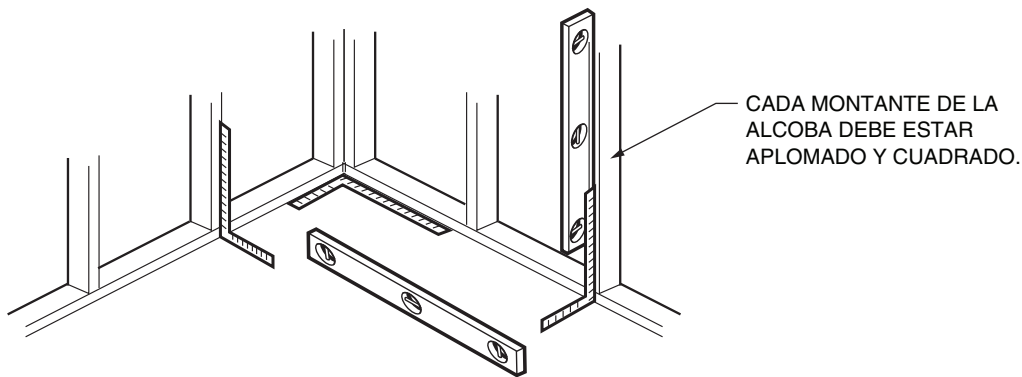
Cinta métrica  
Pistola de calafateo  
Nivel  
Escuadra

**MATERIALES:**  
Ventosas  
Alcoholes minerales

**MATERIALES INCLUIDOS:**  
2 tubos de adhesivo  
1 tubo de sellador de un color similar

### PREPARACIÓN: Debe instalarse sobre PANEL DE YESO/PANEL VERDE o CEMENTO/CONCRETO.

#### Ilustración 1



#### A) PREPARACIÓN DE LA SUPERFICIE DE LA PARED

Asegúrese de que la superficie de la pared esté seca, lisa y libre de polvo, residuos de jabón, moho u otros contaminantes. Limpie las superficies de la pared con un paño húmedo y deje secar.

La superficie de la pared debe estar seca antes de aplicar los paneles.

Asegúrese de que la alcoba esté aplomada y cuadrada. (Ilustración 1)

#### INSTALACIÓN sobre AZULEJOS VIEJOS

Lije las superficies de los azulejos brillantes con una lijadora de correa con una lija de 60 granos.

La superficie debe estar seca, lisa y libre de polvo o cualquier otro contaminante.

Limpie las superficies de la pared con un paño húmedo y deje secar.

#### B) LA PLOMERÍA Y CONEXIONES BÁSICAS DEBEN INSTALARSE ANTES DE LAS PAREDES

Apague los suministros de agua caliente y fría.

Retire las manijas de la llave, chapetones, picos de la salida y otros accesorios (por ejemplo, toalleros, jaboneras, etc.).

Use un martillo y un cincel para retirar los objetos cementados en las paredes.

No necesita retirar los azulejos de cerámica viejos, si están bien adheridos a las paredes.

Debe retirar los azulejos de cerámica sueltos y lijar las medias paredes hasta que queden lisas.

#### C) SI PLANEA INSTALAR UNA PUERTA DE DUCHA

Siga las instrucciones del fabricante y prepare la pared de entramado como corresponda.

# 1

## INSTALAR EN SECO LOS PANELES DE LA LENGÜETA Y LA RANURA EN LA PARED

- 1) Instale en seco los paneles. Comience con los paneles posteriores. Mantenga una brecha de 1/8" (5 mm) por encima de la superficie de la tina o la base de la ducha para todos los paneles. Para conectar varios paneles, se usa un sistema de lengüetas y ranuras.

Ver la ilustración 2

**NOTA:** Use ventosas para manipular e instalar los paneles de la pared de la ducha.

Ilustración 2



- 2) Luego instale en seco los dos paneles laterales. En un lado del panel hay un borde terminado que puede instalarse en el borde exterior o de entrada de la ducha para dar un aspecto terminado sin necesidad de usar una decoración de pared estándar.

Ver la ilustración 3

Si la pared o la tina está desalineada, corte el borde inferior de los paneles laterales para que el borde superior de los paneles esté nivelado con el borde superior de los paneles posteriores.

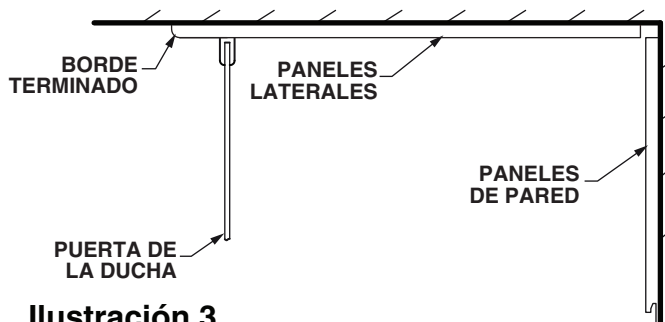


Ilustración 3

- 3) Una vez que ambos paneles laterales estén bien instalados en seco, marque todas las ubicaciones de las tuberías donde las válvulas o cabezas de ducha atraviesan el panel lateral. Taladre orificios en cada lugar usando una sierra de perforación lo suficientemente grande para la apertura pero lo suficientemente pequeña como para ser cubierta por las placas decorativas, luego aplique adhesivo color similar directamente en de los paneles decorativas. Taladre desde el lado terminado.

Ver la ilustración 4

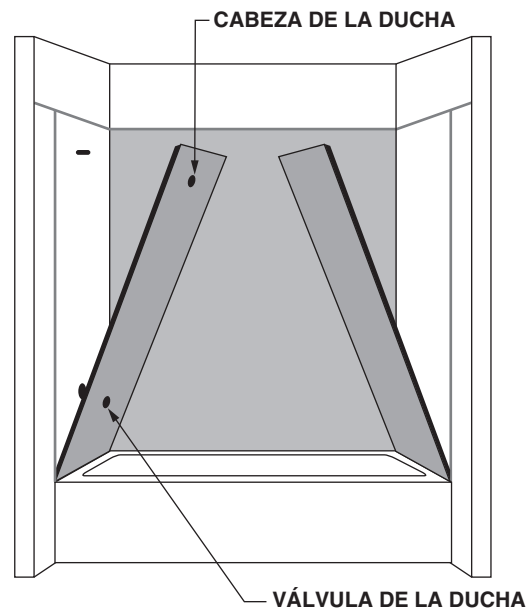


Ilustración 4

# 2

## APLICAR ADHESIVO A LA PLACA DE YESO Y LOS PANELES DE LA LENGÜETA Y LA RANURA

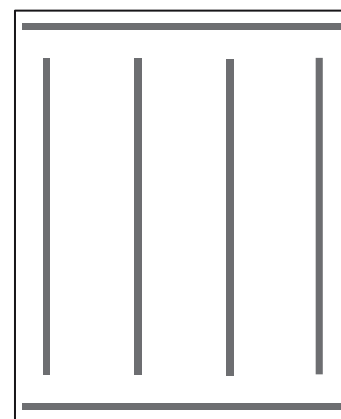
**NOTA:** TRABAJE EN UNA PARED POR VEZ.

- 1) Limpie todos los lados posteriores de los paneles y las paredes con un paño húmedo para retirar el polvo o suciedad. Deje secar bien.
- 2) Empiece con los paneles posterior o trasero y aplique adhesivo sobre la placa de yeso en 4 tiras verticales espaciadas uniformemente para cada panel de arriba a abajo.

Ver la ilustración 5

Luego aplique una fila de adhesivo horizontalmente a lo largo de la parte superior y otra cerca de la parte inferior. También aplique adhesivo de un "color similar" directamente en la lengüeta y ranura de los paneles.

Ilustración 5

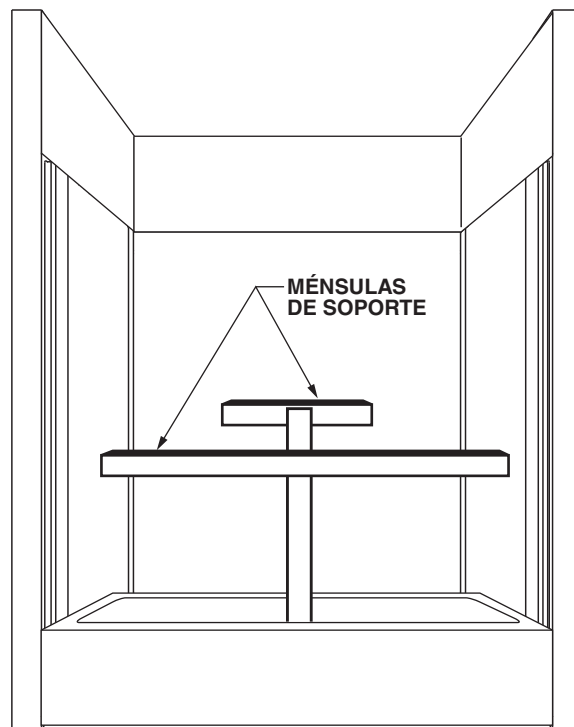


- 3) Con la ayuda de ventosas, mueva el primer panel posterior hacia la pared. Mantenga un espacio de aproximadamente 1/8" (5 mm) de la superficie de la tina o la base de la ducha. Presione el panel firmemente sobre toda la superficie para asegurar un contacto firme del panel con el adhesivo en la pared.

**NOTA: Puede ser necesario colocar una ménsula o soporte para sostener los paneles contra la pared hasta que estén fijados en su lugar.**

Ver la ilustración 6

- 4) Aplique adhesivo como en el paso 2. Coloque el segundo panel posterior en la pared y encájelo en la lengüeta y ranura del primer panel. Mantenga aproximadamente una brecha de 1/8" (5 mm) entre la parte inferior del panel y la tina. No fuerce ni le dé golpecitos al borde de la ranura para cerrar la junta. Presione firmemente sobre toda la superficie del panel para sostenerlo bien en su lugar. Limpie el exceso de adhesivo que sale entre la lengüeta y la ranura usando alcoholes minerales.
- 5) Aplique los paneles laterales de la misma manera. Mantenga el borde terminado hacia afuera o la entrada de la tina o la base de la ducha usando el mismo patrón adhesivo. Deje una brecha de aproximadamente 1/8" (2 mm) en las esquinas entre los paneles lateral y posterior para colocar el adhesivo. Limpie el exceso de adhesivo con alcoholes minerales.



**Ilustración 6**

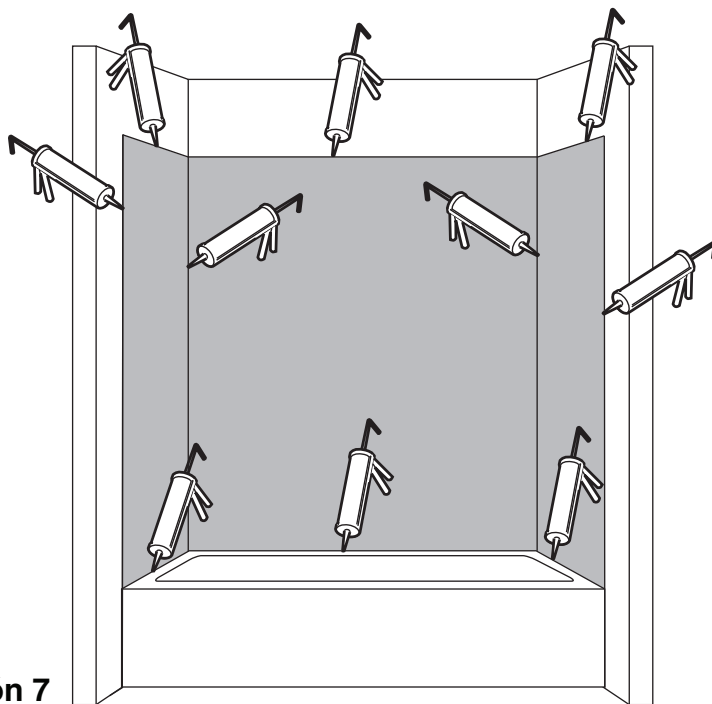
### **3 APLICAR SELLADOR DE UN COLOR SIMILAR A LAS SOLDADURAS Y JUNTAS**

**NOTA: El sellador de un color similar tiene el color aproximado del panel que se instala. Esto es para evitar que se vea el sellador.**

- 1) Una vez que todos los paneles están bien en su lugar e instalados, aplique el sellador de color similar a todas las esquinas, soldaduras entre los paneles y brechas entre los paneles inferiores y la tina.

Ver la ilustración 7

**NOTA: LIMPIE EL EXCESO DE ADHESIVO DEL PANEL USANDO ALCOHOLES MINERALES.**



**Ilustración 7**

### **4 INSTALAR LA MANIJA Y LA CABEZA DE LA DUCHA**

- 1) Instale la manija y la cabeza de la ducha según las instrucciones del fabricante. Aplique sellador a todas las placas decorativas.

**NOTA: Deje pasar 24 horas para que se seque el sellador antes de usar.**

### **5 INSTALACIÓN DE ESTANTES PARA DUCHA**

Siga las instrucciones del fabricante.

**IMPORTANTE:** Aplique sellador de color similar sobre las roscas de los tornillos de montaje Y alrededor del exterior de cada anclaje de pared para sellar e impedir que pase humedad y agua. El/los estante(s) debe(n) estar apoyado(s) en la pared detrás del panel de la pared de Pasaje. La pared de Pasaje en sí no debe soportar el peso del/de los estante(s).

- 6) Instale la puerta de la ducha o la varilla para la cortina de la ducha según las instrucciones del fabricante.

## LIMPIEZA POSTERIOR A LA INSTALACIÓN

Retire todos los desechos de construcción. La lechada de los azulejos puede retirarse usando un palito de paleta o un abate lengua de madera. No utilice cepillos de alambre ni otro implemento de metal sobre la superficie.

La limpieza posterior a la instalación generalmente puede realizarse usando agua tibia y detergente líquido para vajilla. La suciedad o manchas rebeldes pueden limpiarse usando Spic and Span® granular mezclado con agua.

Puede utilizarse nafta de pintor para retirar el exceso de adhesivo y/o pintura a base de aceite húmeda.

## CUIDADO y LIMPIEZA

**⚠ ADVERTENCIA:** Los productos de limpieza cuyas etiquetas indiquen "no adecuado para usar con ABS, acrílico o poliestireno" **NO DEBEN USARSE.** Lea todas las etiquetas con atención.

- El agua demasiado caliente puede dañar la superficie.
- **NUNCA USE SUSTANCIAS QUÍMICAS ABRASIVAS EN LA SUPERFICIE DE LA PARED DE LA DUCHA.** Después del uso, limpie con un detergente doméstico líquido suave. No use Lestoil®, desinfectante Lysol® (rociador o concentrado), limpiador para lavabos, bañera y azulejos Lysol®, Windex®, Mr. Clean®, limpiador para baño desinfectante Dow® ni productos de limpieza en latas de aerosol.
- No use cepillos de alambre, cuchillos ni objetos filosos para quitar manchas, depósitos de alquitrán de cigarrillo ni otras manchas en la superficie.
- No deben usarse polvos o limpiadores abrasivos, ya que opacan la superficie. Si la superficie brillante pierde su lustre, las áreas opacas o los rayones leves pueden arreglarse frotando un compuesto de pulido blanco "tipo automotor" y encerando con una "cera líquida".
- **No encere las zonas donde camina o está de pie.**
- No permita que el quitaesmalte, la acetona, el fluido de limpieza en seco, el removedor de pintura u otros solventes entren en contacto con la superficie.
- Limpie la superficie circundante inmediatamente después de haber usado un limpiador de desagüe cáustico.
- Quemar cigarrillos dañará la superficie.
- Si se daña la grifería, se podrá reparar rápido y fácilmente.  
Consulte a su distribuidor o constructor para obtener los detalles.

## AS America, Inc. - Garantía Limitada de 10 Años para Paredes de Bañera PASSAGE

AS America, Inc. ("American Standard") garantiza al comprador consumidor original que, a opción del primero, reparará o reemplazará estas paredes o cualquiera de sus partes que American Standard, a su única discreción, considere defectuosas en condiciones de uso y mantenimiento residencial normal siempre y cuando sea la propiedad del comprador consumidor original.

Para activar esta garantía limitada, el comprador debe visitar nuestro sitio web en línea en [www.americanstandard-us.com/warranty](http://www.americanstandard-us.com/warranty) para registrar sus paredes de ducha dentro de los treinta (30) días de efectuada la compra.

American Standard no será responsable en ningún caso del costo de la reparación o del reemplazo de ningún material de instalación incluyendo, sin limitación, los azulejos, el mármol, etc.

Esta garantía limitada **NO CUBRE** lo siguiente:

1. Los defectos o daños que surjan del envío, la instalación, las modificaciones, los accidentes, el abuso, el uso incorrecto o la falta de mantenimiento y limpieza adecuados tal como se indica en el manual del propietario, así como el uso de refacciones que no sean American Standard auténticas, en todos los casos ya sea causado por un plomero contratista, una empresa de servicios, el propietario o cualquier otra persona.
2. El deterioro producto del desgaste normal y el costo del mantenimiento normal.
3. La aplicación comercial.
4. Las opciones y los accesorios. La garantía limitada de American Standard sobre estos artículos es de un año para las piezas únicamente y excluye la mano de obra. Esta garantía limitada de un año cubre los accesorios fabricados por American Standard (p. ej. faldones, desagües, barras de sujeción, calentadores, juegos de accesorios) por defectos en el material o la mano de obra. La cobertura de la garantía comienza en la fecha en que el propietario compró originalmente el accesorio.
5. Los gastos de correo o envío por la devolución de productos para su reparación o reemplazo bajo esta garantía limitada y la mano de obra u otros gastos realizados en relación con el retiro o la instalación del producto bajo esta garantía limitada.
6. **TODA RESPONSABILIDAD POR DAÑOS Y PERJUICIOS EMERGENTES O INCIDENTALES QUEDA EXPRESAMENTE DESLINDADA POR EL PRESENTE, O LA PRÓRROGA MÁS ALLÁ DEL PLAZO DE ESTA GARANTÍA LIMITADA DE CUALQUIER GARANTÍA IMPLÍCITA, INCLUYENDO LAS GARANTÍAS DE COMERCIABILIDAD O APTITUD PARA UN FIN DETERMINADO.** (Algunas jurisdicciones no permiten limitaciones a la duración de una garantía implícita, o la exclusión o limitación de daños y perjuicios incidentes o emergentes, por lo cual estas limitaciones y exclusiones podrán no aplicarse a su caso.)
7. Responsabilidad por el cumplimiento de los requisitos de los códigos locales. (Debido a que los requisitos de los códigos locales varían mucho, los distribuidores, minoristas, concesionarios, contratistas de instalación y usuarios de productos de plomería deben determinar si existen restricciones de código sobre la instalación o el uso de un producto específico.)

Esta garantía le otorga derechos legales específicos. Podrá tener otros derechos legales que varían según el estado. Para obtener un servicio cubierto por esta garantía, comuníquese con:

### En Estados Unidos:

American Standard Brands  
1 Centennial Ave  
Piscataway, New Jersey 08854  
Attention: Director of Consumer Affairs

Los residentes de Estados Unidos también pueden obtener información sobre la garantía llamando al siguiente número gratuito: (800) 442-1902  
[www.americanstandard.com](http://www.americanstandard.com)

### En Canadá:

AS Canada ULC  
5900 Avebury Rd.  
Mississauga, Ontario  
Canadá L5R 3M3

Número gratuito: (800) 387-0369  
[www.americanstandard.ca](http://www.americanstandard.ca)

### En México:

American Standard B&K Mexico  
S. de R.L. de C.V.  
Vía Morelos #330  
Col. Santa Clara

Ecatepec 55540 Estado de México  
Número gratuito: 01-800-839-1200  
[www.americanstandard.com.mx](http://www.americanstandard.com.mx)



# INSTRUCTIONS D'INSTALLATION

## PASSAGE<sup>MC</sup> SYSTÈME DE PANNEAUX DE DOUCHE SUR MESURE

### MODÈLES : P2971SWT, P2974BWT

*American Standard*

Pour trouver des produits associés, visitez <http://www.americanstandard-us.com/passage-collection>

Merci d'avoir choisi American Standard, la référence en matière de qualité depuis plus de 100 ans. Afin de garantir une installation adéquate, veuillez lire ces instructions attentivement avant de commencer. (Certaines installations peuvent requérir l'aide d'un professionnel.) De plus, assurez-vous que votre installation est en conformité avec les codes locaux.

#### AVANT DE COMMENCER...

**Les codes de construction locaux varient en fonction des lieux. Renseignez-vous sur tous les codes de plomberie et codes de construction.**

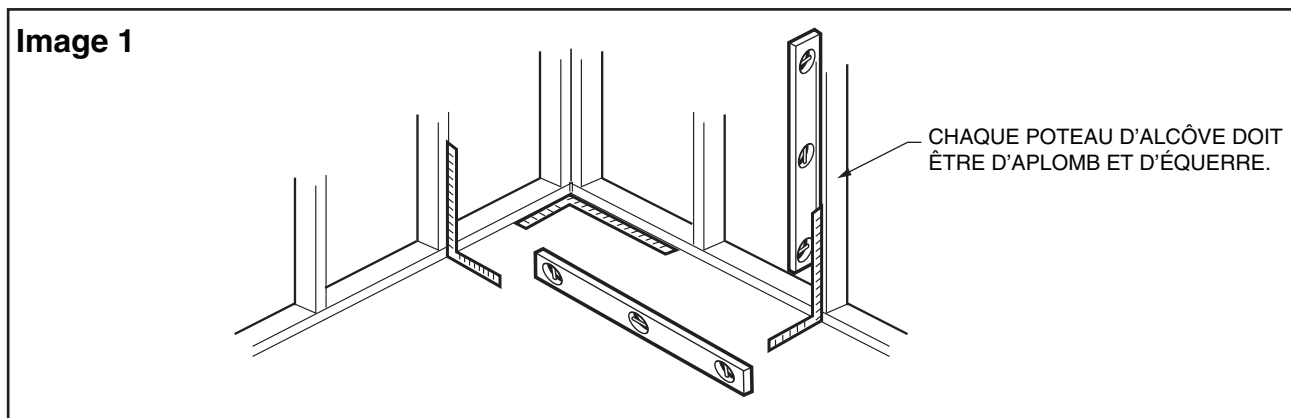
Déballer vos nouveaux panneaux de douche et vérifiez avec attention qu'ils n'ont subi aucun dommage. Vérifiez que la taille des panneaux correspond à votre installation. Consultez les informations d'installation American Standard à la page de spécifications pour connaître les dimensions spécifiques à chaque modèle.

**REMARQUE : Manipuler avec une grande précaution les surfaces frontales des panneaux. Utiliser uniquement des linges non abrasifs pour éviter les rayures.**

### OUTILS ET ÉQUIPEMENT NÉCESSAIRES

OUTILS :	ÉQUIPEMENT :	MATÉRIAUX INCLUS :
Truelle brettée	Ventouses	2 tubes d'adhésif
Crayon	Essence minérale	1 tube de mastic de couleur assortie
Perceuse		
Scie-cloche ou scie circulaire		
Galon à mesurer		
Pistolet extrudeur		
Niveau		
Équerre		

**PRÉPARATION : Doit être installé sur une PLAQUE DE PLÂTRE/un TABLEAU ou du CIMENT/BÉTON**



#### A) PRÉPARATION DE LA SURFACE MURALE

S'assurer que la surface murale est sèche, lisse et n'est pas couverte de poussière, de résidus de savon, de moisissure ou d'autres contaminants. Essuyer toutes les surfaces avec un chiffon humide et laisser sécher.

La surface murale doit être sèche avant que les panneaux ne soient posés.

S'assurer que l'alcôve est d'aplomb et d'équerre. (image 1)

#### INSTALLATION sur D'ANCIENS CARREAUX

Poncer les surfaces brillantes des carreaux à l'aide d'une ponceuse à courroie et de papier de verre de grain 60.

La surface doit être sèche, lisse et ne doit pas être couverte de poussière ou d'autres contaminants.

Essuyer toutes les surfaces avec un chiffon humide et laisser sécher.

#### C) LA ROBINETTERIE ET LES RACCORDS DOIVENT ÊTRE INSTALLÉS AVANT LES PANNEAUX MURAUX

Fermer l'alimentation en eau chaude et en eau froide.

Retirer les poignées de robinet, les plaques de finition, les becs de déverseurs et toute autre pièce de garniture ou raccordement (p. ex., porte-serviettes, porte-savon, etc.).

Utiliser un marteau et un burin pour décoller les objets cimentés aux murs.

Les anciens carreaux en céramique, s'ils sont solidement accrochés aux murs, ne doivent pas être retirés.

Les carreaux détachés doivent être retirés et les murs poncés.

#### C) SI VOUS PRÉVOYEZ INSTALLER UNE PORTE DE DOUCHE

Suivre les instructions du fabricant et préparer les montants en conséquence.

# 1

## INSTALLATION À SEC DES PANNEAUX À LANGUETTE ET RAINURE SUR LES MURS

- 1) Installer les panneaux à sec en commençant par le panneau le plus à l'arrière. Laisser un espace de 1/8 po (5 mm) au-dessus du tablier de la baignoire ou la base de la douche pour tous les panneaux. Lorsque vous reliez plusieurs panneaux, utiliser un système de rainure et languette pour les relier.  
**Voir image 2.**

**REMARQUE :** L'utilisation de ventouses aidera à la manipulation et l'installation des panneaux de douche muraux.

Image 2



- 2) Procéder ensuite à l'installation à sec des deux panneaux. Sur un côté du panneau se trouve un côté fini ou exposé qui peut être installé sur l'extérieur ou l'entrée de la douche pour donner un aspect fini et éviter l'utilisation d'une garniture murale normale.  
**Voir image 3.**

Si le mur ou la baignoire n'est pas cadré, couper ou tailler à partir du bord inférieur des panneaux latéraux pour que le bord supérieur des panneaux soit aligné avec le bord supérieur des panneaux arrière.

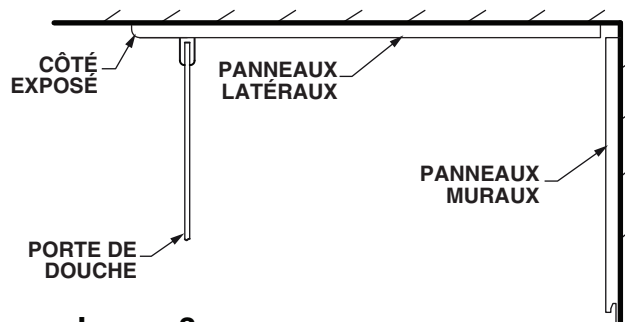


Image 3

- 3) Une fois que les panneaux latéraux sont installés correctement, marquer tous les emplacements de plomberie où les robinets de douche ou les pommes de douche traverseront le panneau latéral. Percer des trous suffisamment grands à chaque emplacement à l'aide d'une scie-cloche pour permettre l'ouverture, mais suffisamment petits pour être couverts par les plaques de garniture, ensuite, appliquez un scellant de couleur assortie autour de la plaque de garniture. Percer depuis le côté fini.

**Voir image 4.**

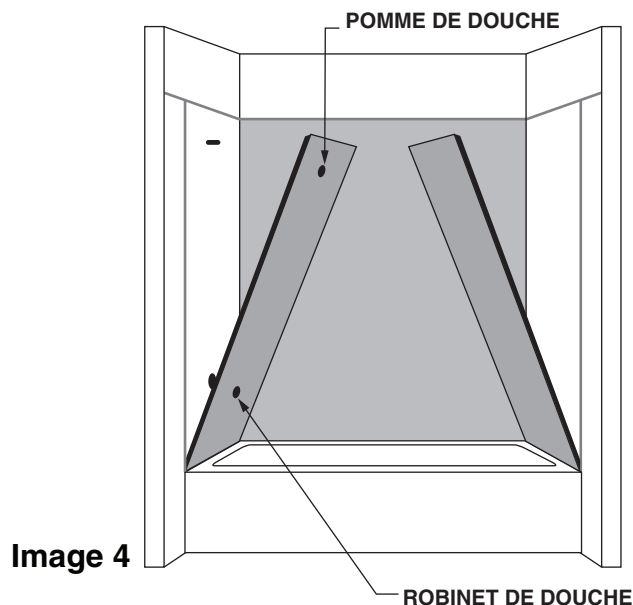


Image 4

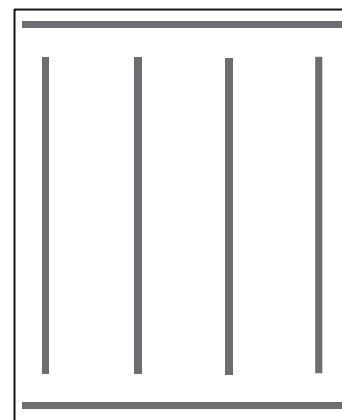
# 2

## APPLIQUER L'ADHÉSIF SUR LES CLOISONS SÈCHES ET LES PANNEAUX À LANGUETTE ET RAINURE

**REMARQUE :** INSTALLER UN MUR À LA FOIS.

- 1) Essuyer toutes les faces arrière des panneaux et murs avec un chiffon humide pour éliminer toute poussière ou tout débris et laisser sécher complètement.
- 2) Commencer avec les panneaux arrière, appliquer l'adhésif sur la cloison sèche en quatre bandes verticales espacées équitablement pour chaque panneau de haut en bas.  
**Voir image 5.**

Appliquer ensuite une rangée d'adhésif horizontalement le long de la partie supérieure et une au bord de la partie inférieure. Appliquer également l'adhésif « de couleur assortie » directement sur la languette et la rainure des panneaux.



- 3) À l'aide des ventouses, déplacer le premier panneau arrière sur le mur en laissant un espace d'environ 1/8 po (5 mm) de la surface du tablier de la baignoire ou la base de la douche. Appuyer fermement sur le panneau et sur la surface complète pour assurer un contact ferme entre le panneau et l'adhésif sur le mur.

**REMARQUE : Il peut être nécessaire d'installer un support ou un renfort pour les panneaux contre le mur jusqu'à ce qu'ils tiennent fermement en place.**

Voir image 6.

- 4) Appliquer l'adhésif comme à l'étape 2 et placer le second panneau arrière sur le mur et le fixer à l'emplacement du système de languette et rainure du premier panneau en laissant un espace d'environ 1/8 po (5 mm) entre le bas du panneau et la baignoire. Ne pas forcer ou taper sur le bord rainuré pour fermer le joint. Appuyer fermement sur la surface complète du panneau pour le fixer. Essuyer tout excès d'adhésif qui sort entre la languette et la rainure à l'aide d'essence minérale.
- 5) Apposer les panneaux latéraux de la même manière en maintenant le bord fini, exposé à l'extérieur ou à l'entrée de la baignoire ou du bac de douche à l'aide de la même application d'adhésif. Laisser un espace d'environ 1/8 po (2 mm) dans les angles entre les panneaux latéraux et arrière pour l'adhésif. Essuyer tout excès d'adhésif à l'aide d'essence minérale.

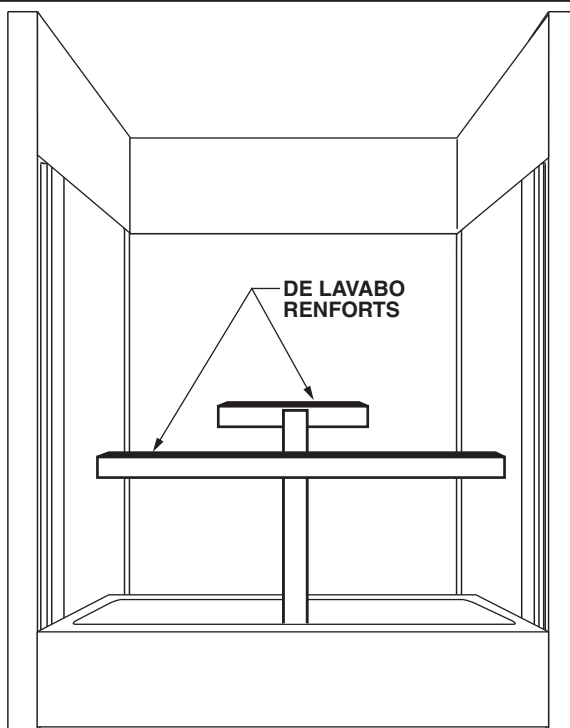


Image 6

### 3 APPLIQUER DU MASTIC DE COULEUR ASSORTIE POUR LES RACCORDS ET LES JOINTS

**REMARQUE : Le mastic de couleur assortie est coloré pour être assorti à la couleur approximative du panneau installé. Cela permet de s'assurer que le mastic est plus discret.**

- 1) Une fois que les panneaux sont installés et fixés, appliquer le mastic de couleur assortie dans tous les angles, les raccords entre les panneaux et les espaces entre les panneaux inférieurs et la baignoire.

Voir image 7.

**REMARQUE : RETIRER TOUT ADHÉSIF EXCESSIF DU PANNEAU À L'AIDE D'ESSENCE MINÉRALE.**

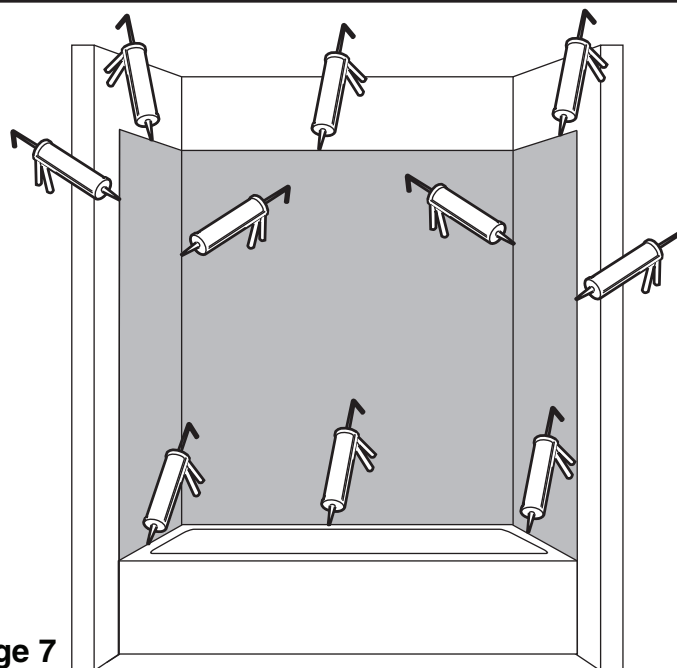


Image 7

### 4 INSTALLER LA POIGNÉE DE DOUCHE ET LA POMME DE DOUCHE

- 1) Installer la poignée de douche et la pomme de douche conformément aux instructions du fabricant. S'assurer d'appliquer le mastic sur toutes les plaques de garniture.

**REMARQUE : Laisser sécher le mastic pendant 24 heures avant la première utilisation.**

### 5 INSTALLATION DES TABLETTES DE DOUCHE

Suivre les instructions du fabricant

**IMPORTANT :** Appliquer le mastic en de couleur assortie sur les filetages des vis de montage ET sur l'extérieur de chaque ancrage mural pour empêcher la moisissure et l'eau de pénétrer. Les tablettes doivent être appuyées contre le mur derrière le panneau mural de passage. Le panneau de passage ne doit pas supporter le poids des tablettes.

- 6 Installer la porte de douche ou le rideau de douche conformément aux instructions du fabricant.

## NETTOYAGE APRÈS INSTALLATION

Retirez tous les déchets de construction. Le coulis du carrelage peut être retiré à l'aide d'un bâton de popsicle en bois, ou d'un abaisse-langue. Ne pas utiliser de brosse métallique ou autre matériel en métal.

Le nettoyage après installation se fait habituellement à l'aide d'eau chaude et d'un savon liquide à vaisselle. Les taches résistantes peuvent être retirées à l'aide d'une pierre Spic and Span<sup>MD</sup> et de l'eau.

Vous pouvez utiliser du naphtha pour enlever les produits adhésifs excédentaires ou la peinture à base d'huile pas encore sèche.

## ENTRETIEN et NETTOYAGE

**⚠ AVERTISSEMENT : Les produits nettoyants comportant la mention « ne convient pas à l'utilisation avec ABS, acrylique ou polystyrène » NE DOIVENT PAS ÊTRE UTILISÉS.** Lisez attentivement les étiquettes.

- Une eau excessivement chaude peut causer des dommages.
- NE JAMAIS UTILISER DE PRODUITS CHIMIQUES NOCIFS SUR LA SURFACE DES MURS DE DOUCHE. Après utilisation, nettoyez avec un produit nettoyant ménager doux. N'utilisez pas de Lestoil<sup>MD</sup>, de désinfectant Lyso<sup>MD</sup> (vaporisateur ou concentré), ni de nettoyant pour bain et carrelage Lyso<sup>MD</sup>, de Windex<sup>MD</sup>, de M. Net<sup>MD</sup>, de désinfectant nettoyant pour salle de bain Dow<sup>MD</sup>, ni tout autre produit nettoyant en aérosol.
- Ne pas utiliser de brosse métallique, couteau ou objet tranchant pour retirer les tâches, les dépôts de goudron des cigarettes, ou toute autre marque sur la surface.
- Ne pas utiliser de nettoyants abrasifs ou poudres, car ils abîmeraient la surface. Si la surface perd de sa brillance, les zones ternies ou les légères rayures peuvent être restaurées en frottant avec une pâte à polir blanche pour automobiles et en cirant avec une cire liquide.
- **Ne cirez pas les zones sur lesquelles vous vous déplacez.**
- Ne mettez aucun dissolvant, acétone, produit de nettoyage à sec, décapant ni autre solvant en contact avec le revêtement.
- Nettoyez la surface environnante immédiatement après l'utilisation d'un nettoyant à drain caustique.
- Une cigarette allumée peut endommager la surface.
- Si les appareils étaient endommagés, des réparations pourraient être faites rapidement et facilement. Votre distributeur ou votre installateur peut vous informer à ce sujet.

### Garantie limitée de 10 ans pour la gamme PASSAGE d'AS America, Inc. Panneaux de baignoire

AS America, inc. (American Standard) garantit au consommateur/à l'acheteur original qu'elle réparera ou remplacera, à sa convenance, ces panneaux ou toute pièce qui, selon American Standard et à son entière discrétion, est défectueuse dans des conditions normales d'usage et d'entretien résidentiels tant et aussi longtemps que le produit appartienne au consommateur/à l'acheteur original.

Pour activer la garantie limitée, l'acheteur doit visiter notre site Web au [www.americanstandard-us.com/warranty](http://www.americanstandard-us.com/warranty) (anglais seulement) et enregistrer ses panneaux de baignoire dans les trente (30) jours suivant l'achat.

American Standard ne sera en aucun cas tenue responsable des coûts de réparation ou de remplacement de quelque matériel d'installation qui soit, ceci incluant, mais sans s'y limiter, les carreaux, le marbre, etc.

Cette garantie limitée NE S'APPLIQUE PAS dans les situations suivantes :

1. Toute défectuosité ou tout dommage provenant de l'expédition, de l'installation, de modifications, d'accidents, d'abus, d'un mauvais usage, d'un manque d'entretien et de nettoyage adéquat conformément au manuel du propriétaire, et de l'utilisation de pièces de rechange autres que les pièces d'origine American Standard, dans tous les cas causés par un entrepreneur en plomberie, une entreprise de service, le propriétaire ou toute autre personne.
2. La détérioration causée par l'utilisation et l'usure normale, et les frais d'entretien normaux.
3. Toute application commerciale.
4. Les articles en option et les accessoires. La garantie limitée d'American Standard sur ces articles est pour une durée d'un an sur les pièces seulement, et ne couvre pas la main-d'œuvre. Cette garantie limitée d'un an couvre les accessoires fabriqués par American Standard (p. ex., les tabliers, les drains, les barres d'appui, les systèmes de chauffage, et les garnitures) en ce qui a trait à toute défectuosité de matériel ou de fabrication. La couverture de la garantie débute à compter de la date où les accessoires ont été achetés à l'origine par le propriétaire.
5. Les frais de poste ou de livraison engagés pour le retour du produit pour réparation ou remplacement en vertu des conditions de cette garantie limitée, et les coûts de main-d'œuvre ou autre frais engagés pour l'installation ou l'enlèvement du produit en vertu de la présente garantie limitée.
6. TOUTE RESPONSABILITÉ POUR LES DOMMAGES INDIRECTS OU CONSÉCUTIFS, LAQUELLE EST EXPRESSÉMENT EXCLUE POUR TOUS CES DOMMAGES, OU LA PROLONGATION, AU-DELÀ DE LA DURÉE DE LA PRÉSENTE GARANTIE LIMITÉE DE TOUTES GARANTIES LIMITÉES IMPLICITES, INCLUANT CELLES DE QUALITÉ MARCHANDE OU D'APTITUDE DANS UN BUT PARTICULIER. (Certains territoires ne permettent pas de limitations sur la durée d'une garantie implicite, ou l'exclusion ou la limitation de dommages indirects ou consécutifs; ces limitations peuvent donc ne pas s'appliquer à vous.)
7. La responsabilité de se conformer aux exigences locales. (Puisque les exigences locales varient largement, les distributeurs, les marchands, les entrepreneurs en installation et les utilisateurs des produits de plomberie devraient déterminer si des restrictions du code s'appliquent à l'installation ou à l'utilisation d'un produit particulier.)

Cette garantie vous donne des droits juridiques particuliers. Vous pouvez vous prévaloir d'autres droits prévus par la loi, qui varient d'un État à l'autre ou d'une province à l'autre. Pour obtenir un service couvert par cette garantie, prenez contact avec le service suivant :

#### Aux États-Unis :

American Standard Brands  
1 Centennial Ave.  
Piscataway, New Jersey 08854

Attention : Directeur ou directrice de la consommation

Pour les résidents des États-Unis, il est également possible d'obtenir les renseignements relatifs à la garantie en appelant au numéro sans frais suivant : 800-442-1902.  
[www.americanstandard.com](http://www.americanstandard.com)

#### Au Canada :

AS Canada, ULC  
5900 Avebury Rd.  
Mississauga (Ontario)  
Canada L5R 3M3

Sans frais : 800-387-0369  
[www.americanstandard.ca](http://www.americanstandard.ca)

#### Au Mexique :

American Standard B&K Mexico  
S. de R.L. de C.V.  
Via Morelos #330  
Col. Santa Clara

Ecatepec 55540 Edo. Mexico  
Sans frais : 01-800-839-1200  
[www.americanstandard.com.mx](http://www.americanstandard.com.mx)