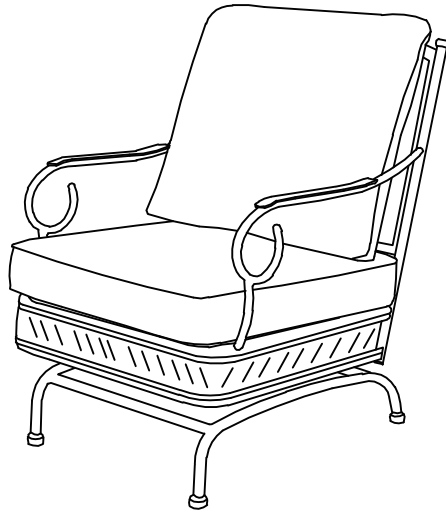
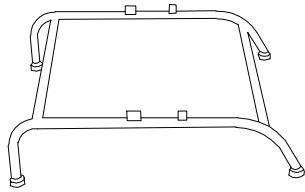


Amelia Springs Motion Metal Outdoor Lounge Chair with Spa Cushion



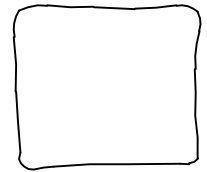
Seat and back frame



Base frame



Seat Cushion



Back cushion

A

2

B

2

C

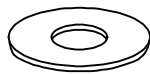
2

D

2



M8 nut



M8 washer



Hex Wrench

AA

4

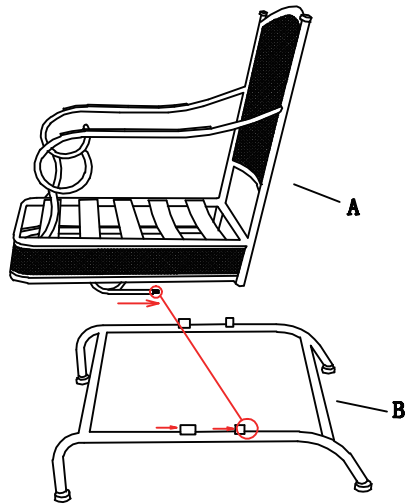
BB

4

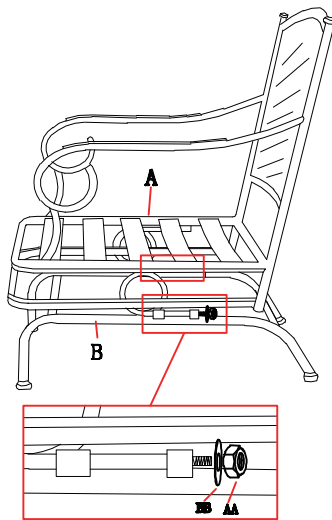
CC

1

ASSEMBLING THE CHAIR SEAT AND BACK FRAME TO THE BASE FRAME

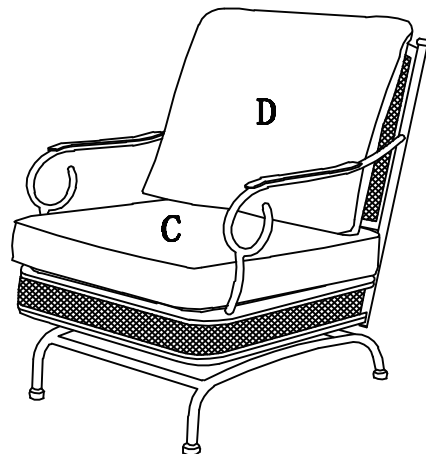


- Insert the Seat and Back Frame (A) to the Base Frame (B). See Figure.



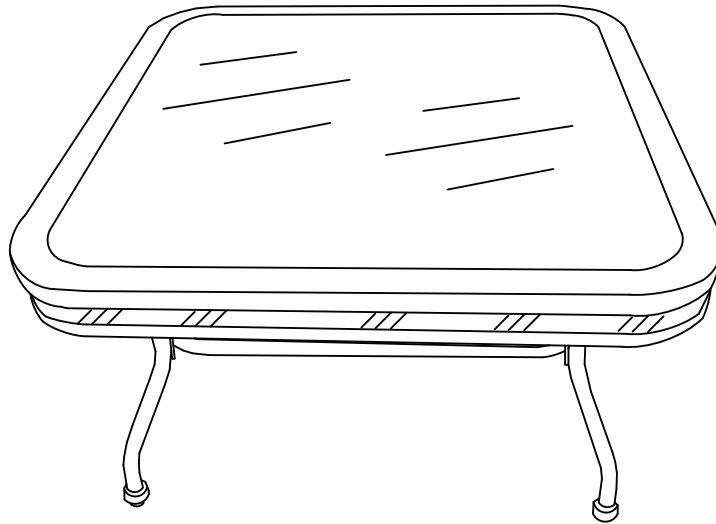
- Secure the Seat and Back Frame (A) to the Base Frame (B) with the M8 Washers (BB) and the M8 Nuts (AA). Securely tighten the Nuts (AA) with the Hex Wrench (CC). See Figure.

FINISHING ASSEMBLY



- Place the Seat Cushion (C) and the Back Cushion (D) on the chair. See Figure. The chair is ready for your enjoyment. Please repeat steps 1-3 to assemble the other chair.

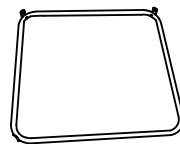
Amelia Springs Square Metal Outdoor Coffee Table



A(1)
Table Top



B(4)
Table Leg



C(1) Leg
Connector Ring



AA (8)
M6X20 Bolt



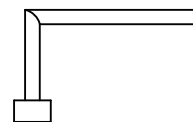
BB(4)
M6X35 Bolt



CC(12)
M6 Flat
Washer

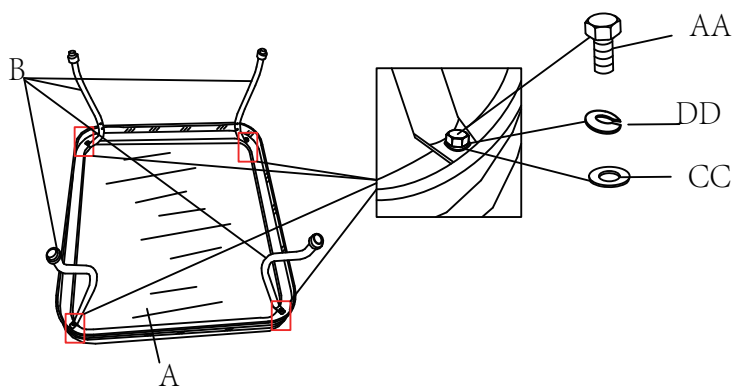


DD(12)
M6 Lock
Washer



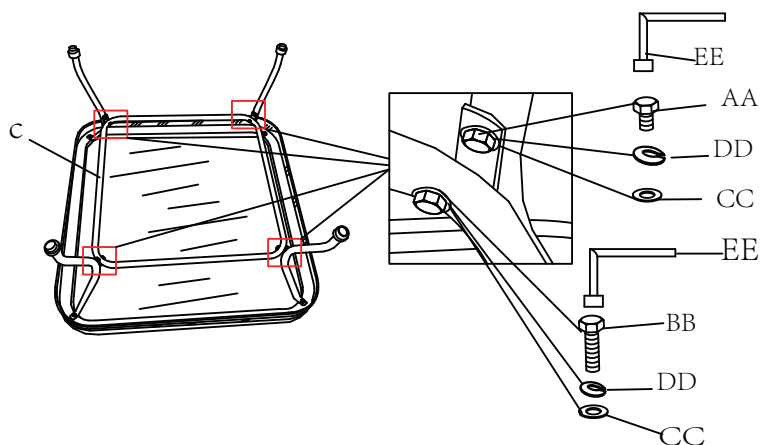
EE(1)
Socket
Wrench

1 ASSEMBLING THE TABLE LEGS TO THE TABLE TOP



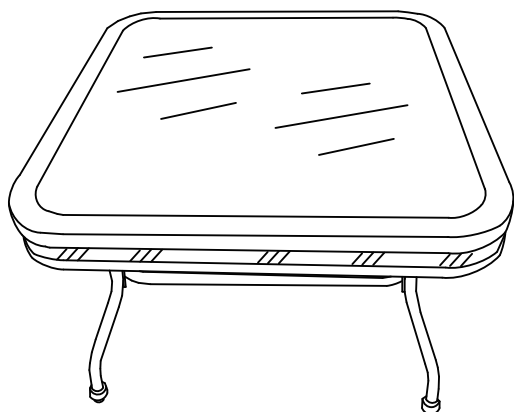
Carefully turn the table top upside down on a soft non-abrasive surface. Loosely attach the Table Legs (B) to the Table Top (A) by aligning the bolt holes on the Table Legs (B) with those on the Table Top (A) and loosely securing with the Bolts (AA), Lock Washers (DD) and Flat Washers (CC). Do not fully tighten the Bolts (AA) completely until the assembly is complete.

2 ASSEMBLING THE LEG CONNECTOR RING TO THE TABLE LEGS



Loosely attach the Table Legs (B) to the Leg Connector Ring (C) with the Bolts (AA) through the Lock Washers (DD) and Flat Washers (CC) and Bolts (BB) through Lock Washers (DD) and Flat Washers (CC). Do not fully tighten the Bolts (AA & BB) completely until the assembly is complete.

3 ADJUSTING THE TABLE AND FINISHING ASSEMBLY



Carefully turn the table to up-right position. Check the alignment of the table and adjust if necessary. Once the alignments are correct and all the bolts are in place, tighten all the Bolts (AA & BB) with the Socket Wrench (EE). Your table is ready for your enjoyment.