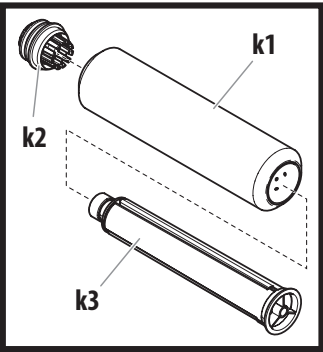
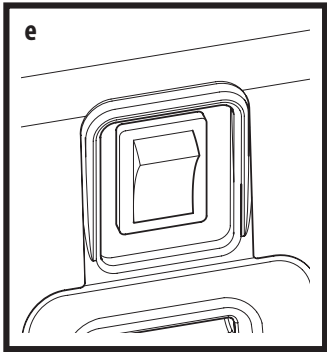
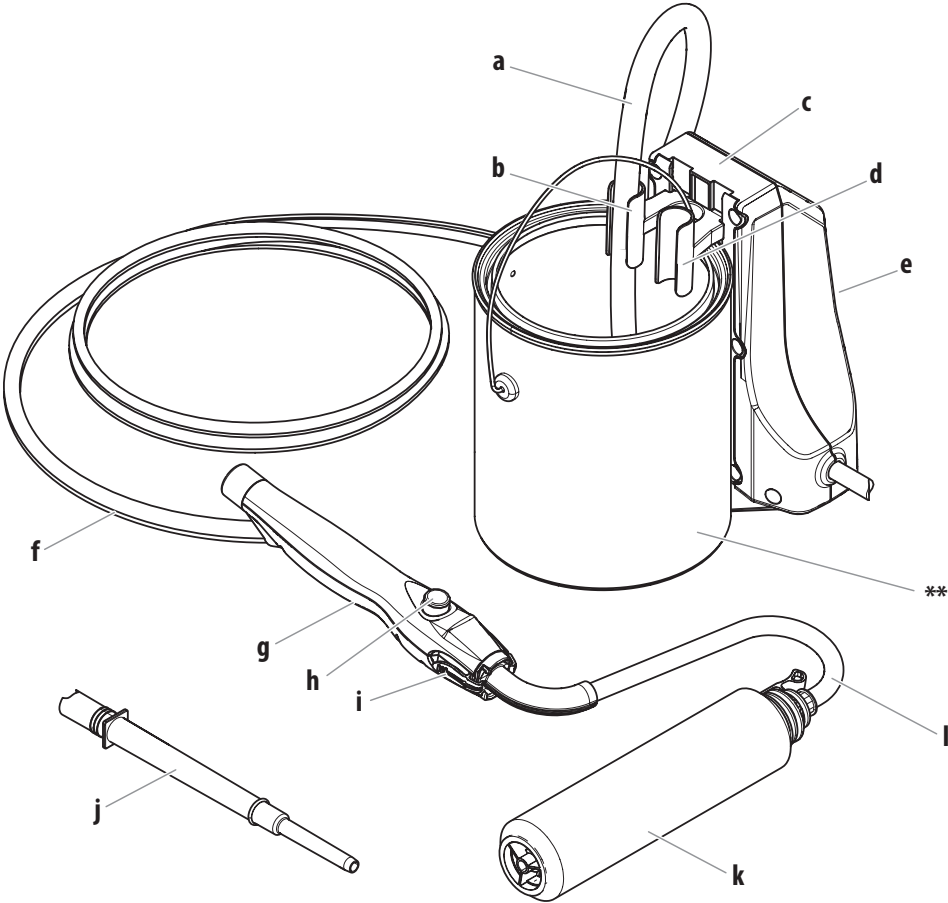


Parts and Components



Parts and Components

Note: Some of the parts listed on this page can be replaced by calling technical service. See page 43 for part numbers.

Note: Some parts are not assembled out of the box. See "Setup" section, page 6-7.

| <i>Item</i> | <i>Description</i> |
|-------------|--------------------|
| a | Suction tube |
| b | Tube guide |
| c | Pump assembly |
| d | Extension holder |
| e | ON/OFF switch |
| f | Paint hose |
| g | Roller handle |
| h | Handle button |

| <i>Item</i> | <i>Description</i> |
|-------------|-----------------------------------|
| i | Quick-release tabs |
| j | Extension |
| k | 9" Roller assembly |
| | h1 - 3/8" nap roller cover |
| | h2 - Roller cap |
| | h3 - Roller core |
| l | Roller arm |

**Paint can shown for reference only. Not included.