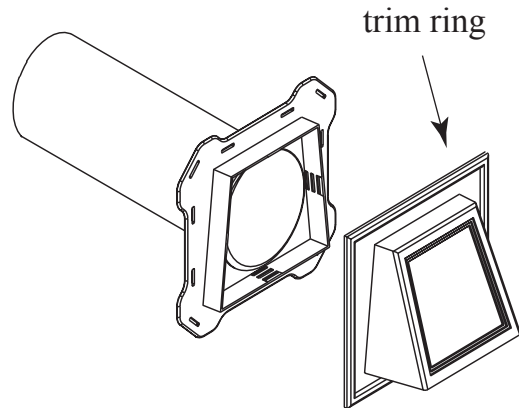
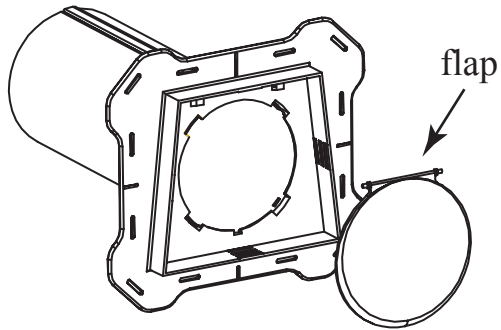


4" Hooded Exterior Vent Screen Installation Instructions

Step 1

Remove the trim ring from the vent assembly.
See figure at right.

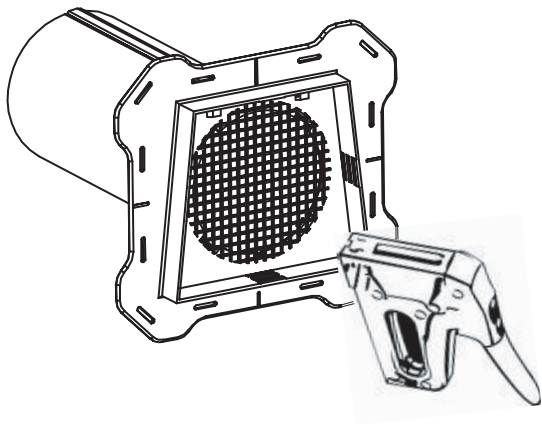
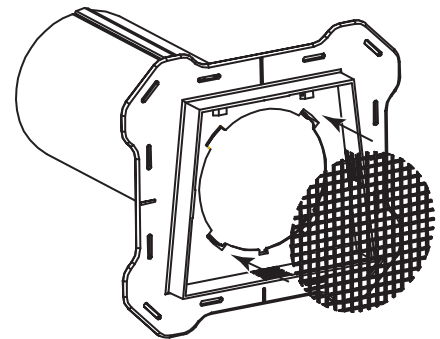


Step 2

Remove the flap from the mount and discard. The
flap will no longer fit after the screen is installed.
See figure at left.

Step 3

Position the wire screen on the mount to cover the opening.
See figure at right.



Step 4

Use a heavy duty staple gun to secure the screen in place
around the outside perimeter of the screen. Reassemble the
trim ring.

Note:

To clean the screen remove the staples, clean, then
reassemble.