

Item # 1000 000 000

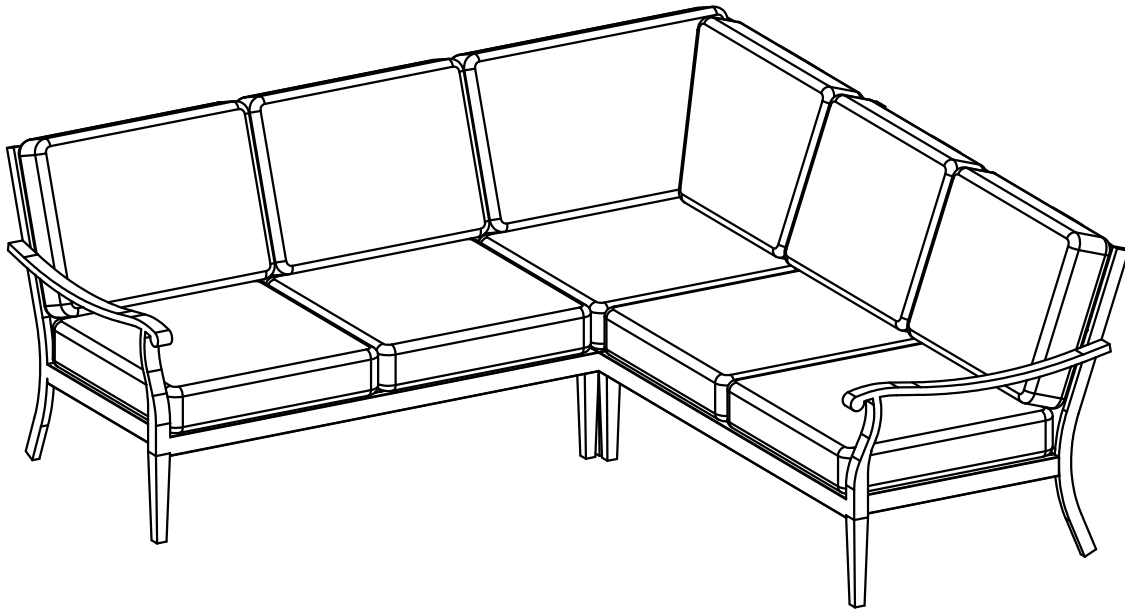


Model # HD18129I

## USE AND CARE GUIDE

---

### RILEY 3-PIECE SECTIONAL SET



Questions, problems, missing parts? Before returning to the store,  
call Hampton Bay Customer Service

8:00 a.m. - 7:00 p.m., EST, Monday - Friday

9:00 a.m. - 6:00 p.m., EST, Saturday

1-855-HD-HAMPTON

HAMPTONBAY.COM

---


#### THANK YOU


We appreciate the trust and confidence you have placed in Hampton Bay through the purchase of this set. We strive to continually create quality products designed to enhance your home. Visit us online to see our full line of products available for your home improvement needs. Thank you for choosing Hampton Bay!


# Table of Contents

Table of Contents.....	2	Pre-Assembly.....	3-4
Safety Information.....	2	Planning Assembly.....	3
Warranty.....	2	Hardware Included.....	3
2 Year Frame Limited Warranty.....	2	Package Contents.....	4
2 Year Fabric Limited Warranty.....	2	Assembly.....	5-7
What Is Covered?.....	2		
What Is Not Covered?.....	2		
Care Instructions.....	2		

# Safety Information

 **DANGER:** Keep children out of the assembly area before assembly.

 **IMPORTANT:** Check the tightness of all bolts at least once every 90 days.

 **WARNING:** Do not put heavy objects on the chair.

# Warranty

## 2 YEAR FRAME / 2 YEAR FABRIC LIMITED WARRANTY

### WHAT IS COVERED

We warrant the frame and fabric to be free of manufacturing defects to the original purchaser for two years.

### WHAT IS NOT COVERED

It remains the customer's responsibility for freight and packaging charges to and from our service center. This warranty does not cover commercial use, hardware, acts of nature, fire, freezing and abusive use. In addition, purchased parts are not covered under this warranty. We reserve the right to make substitutions with similar merchandise, if the model in question is no longer in production.

# Care Instructions

Before using, wipe with a clean, dry cloth. Do not use bleach or solvents. Treat the frame with liquid wax for maximum protection against UV light and salty, damp air. When not in use, store furniture in a cool, dry place. If the set includes cushions or mesh fabric, they may be cleaned by hand with a mild solution of soap and water. Rinse cushions thoroughly and allow to drip dry. Do not machine wash or tumble dry, as cushions may shrink. Do not use bleach or solvents on fabrics. Make sure to use a soft, clean cloth that does not bleed color.

You may contact our customer service department with any questions by phone at 1-855-HD-HAMPTON or visit [www.hamptonbay.com](http://www.hamptonbay.com).

# Pre-Assembly

## PLANNING ASSEMBLY

Assemble this product on a blanket, towel or other soft, non-abrasive surface to avoid scratching the finish.

## HARDWARE INCLUDED



NOTE: Hardware not shown to actual size.



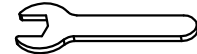
\_\_\_ AA



\_\_\_ BB



\_\_\_ CC



\_\_\_ DD

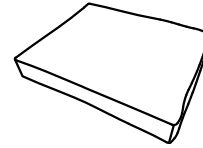
Part	Description	Quantity
AA	Bolt (M6 x 35 mm)	4
BB	Metal Washer	4
CC	Plastic Bolt Cap (M6)	4
DD	Hex Wrench (M6)	1

# Pre-Assembly (continued)

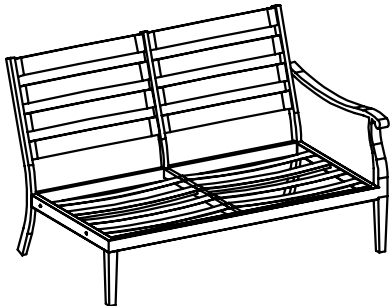
## PACKAGE CONTENTS



\_\_\_\_\_ A



\_\_\_\_\_ D



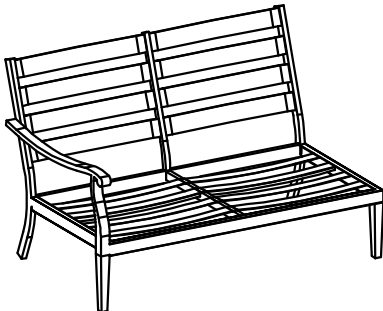
\_\_\_\_\_ B



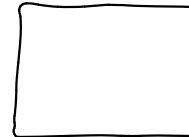
\_\_\_\_\_ E



\_\_\_\_\_ F



\_\_\_\_\_ C



\_\_\_\_\_ G

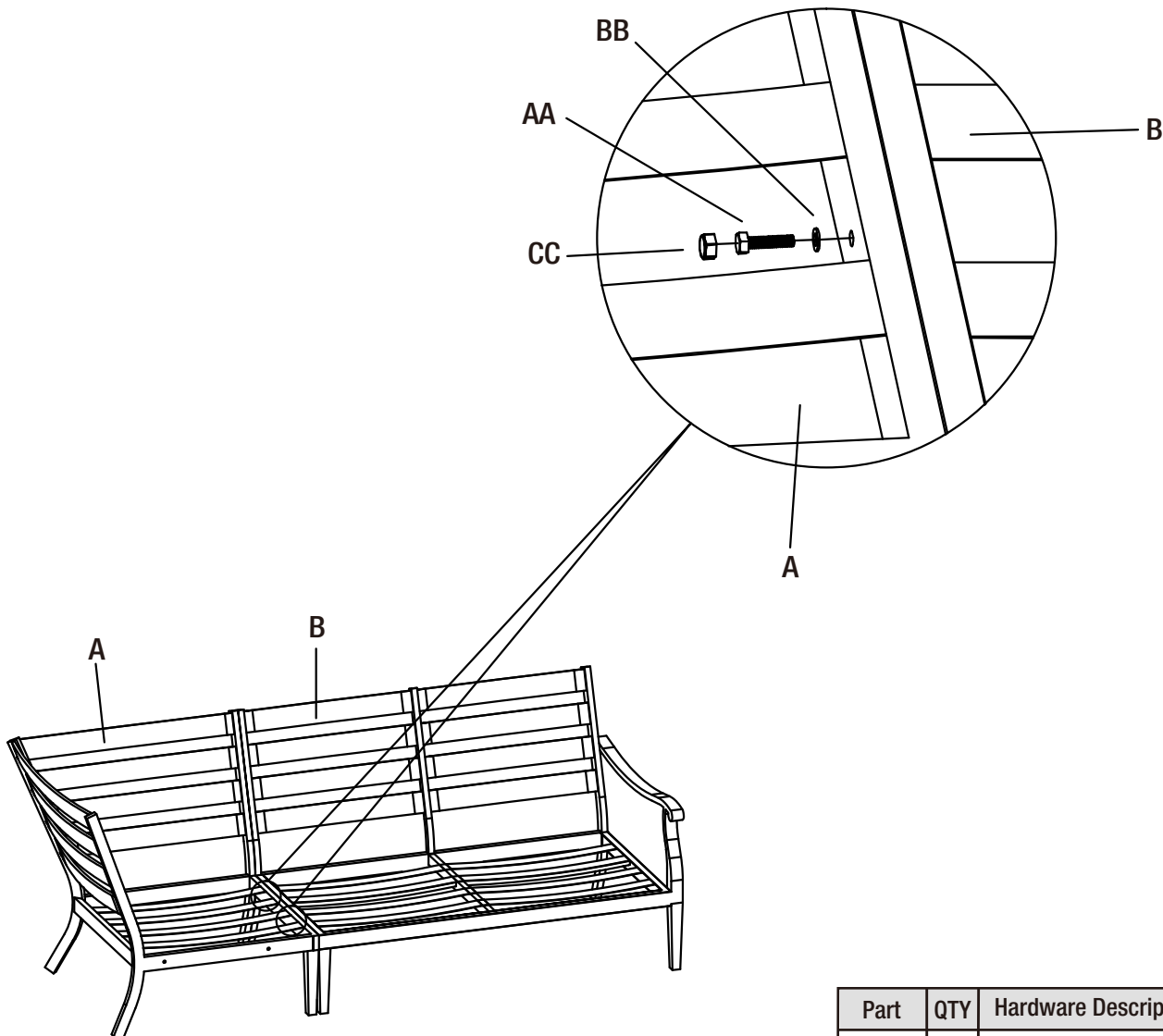
Part	Description	Quantity
A	Corner Chair	1
B	Left Armed Chair (When Sitting)	1
C	Right Armed Chair (When Sitting)	1




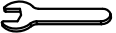
Part	Description	Quantity
D	Seat Cushion	5
E	Corner Chair Back Cushion (Right)	1
F	Corner Chair Back Cushion (Left)	1
G	Back Cushion	4

# Assembly

## 1 Attaching the left armed chair to the corner chair

- Attach the left armed chair (B) to the corner chair (A) by inserting bolts (AA) with metal washers (BB) through the two pre-drilled holes on the left side of the seat on the corner chair into the two pre-welded nuts on the left armed chair.
- Tighten all the bolts using the wrench (DD) and cover all bolts with bolt caps (CC).

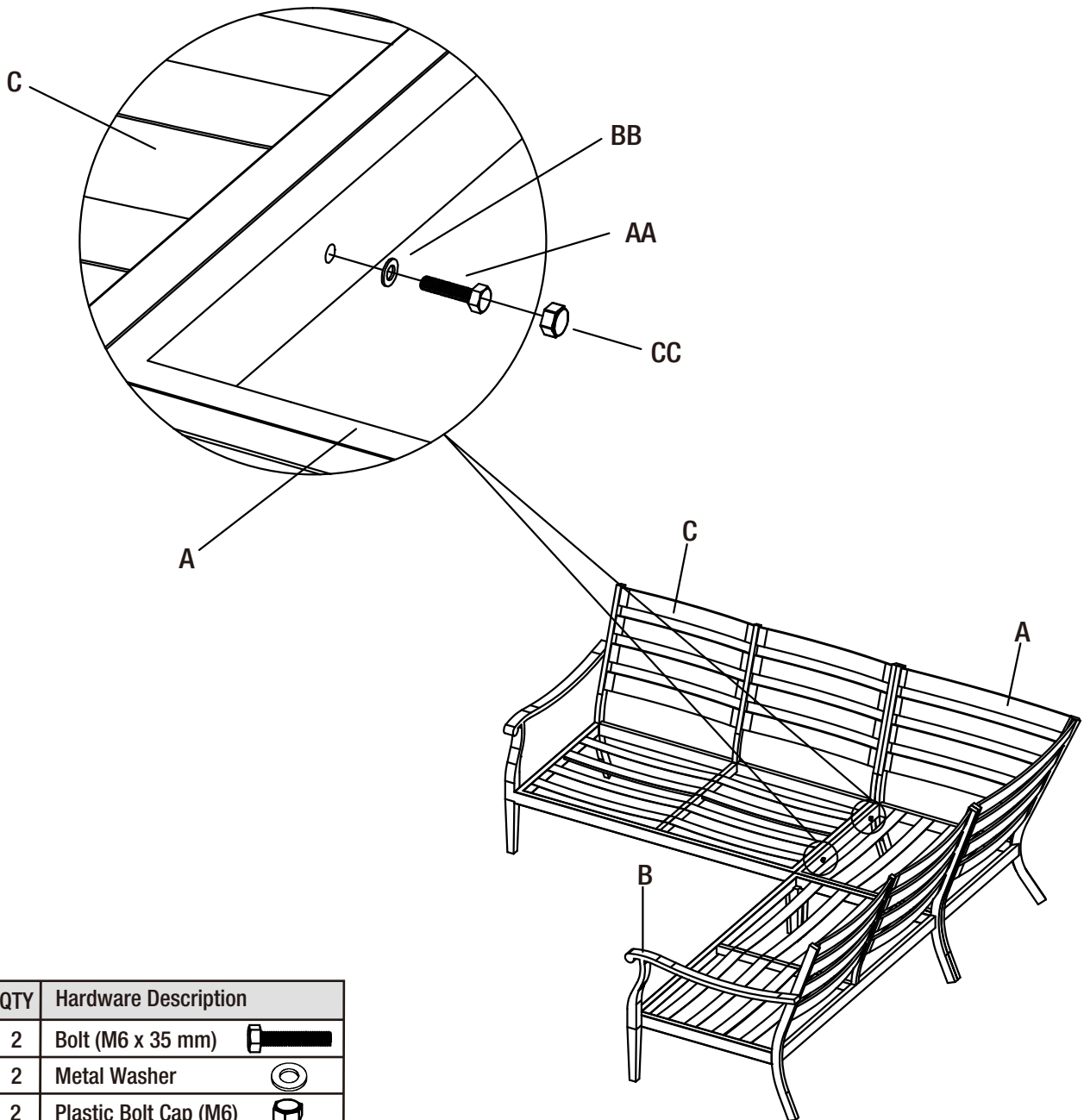






Part	QTY	Hardware Description
AA	2	Bolt (M6 x 35 mm) 
BB	2	Metal Washer 
CC	2	Plastic Bolt Cap (M6) 
DD	1	Hex Wrench (M6) 

# Assembly

## 2 Attaching the right armed chair to the corner chair

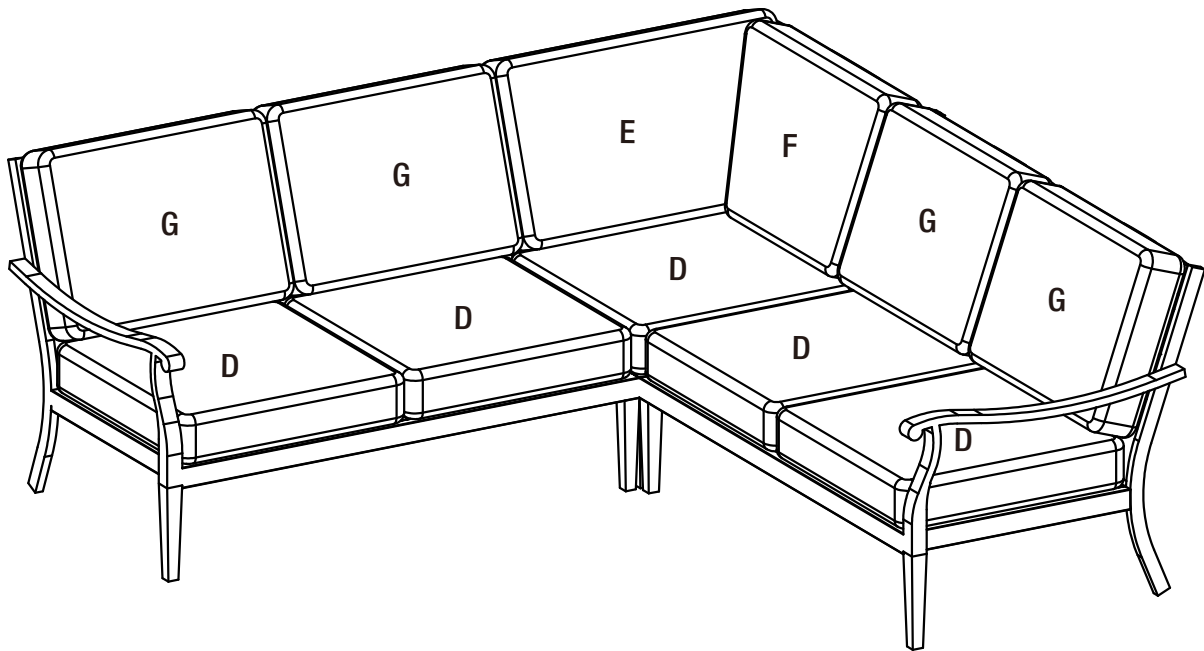
- Attach the right armed chair (C) to the corner chair (A) by inserting bolts (AA) with metal washers (BB) through the two pre-drilled holes on the right side of the seat on the corner chair into the two pre-welded nuts on the right armed chair.
- Tighten all the bolts using the wrench (DD) and cover all bolts with bolt caps (CC).



Part	QTY	Hardware Description
AA	2	Bolt (M6 x 35 mm) 
BB	2	Metal Washer 
CC	2	Plastic Bolt Cap (M6) 
DD	1	Hex Wrench (M6) 

### 3 Completing the assembly

- With help of another person, carefully move the assembled set into position, and then put cushions into place.  
Your furniture is now ready for use, so relax & enjoy!





Questions, problems, missing parts? Before returning to the store,  
call Hampton Bay Customer Service

8:00 a.m. - 7:00 p.m., EST, Monday-Friday  
9:00 a.m. - 6:00 p.m., EST, Saturday

1-855-HD-HAMPTON

[HAMPTONBAY.COM](http://HAMPTONBAY.COM)

Retain this manual for future use.