



36-INCH LADYBUG KIDS TRAMPOLINE WITH HANDRAIL

MODEL# 9024LB / PRODUCT MANUAL - VERSION 08.18.01

FOR AGES:

3-7

WEIGHT LIMIT:

75 Lbs
34 Kgs

TO BUILD:



TOOLS NEEDED:

N/A



HOW-TO
VIDEOS ONLINE



CUSTOMER SERVICE

GQBrands.com • CustomerService@GQBrands.com • 1-866-498-5269 • 4401 Samuell Blvd, Ste 150, Mesquite, TX 75149



PATENT PENDING*

CUSTOMER SERVICE INFORMATION

Thank you for purchasing:

36-INCH LADYBUG KIDS TRAMPOLINE WITH HANDRAIL

MODEL# 9024LB

At GQBrands®, we want all of our customers to be completely satisfied with their purchase. Take time to review the contents of the product you have just received to make sure that all of the parts are included. If you find that any parts are missing or damaged, we will provide replacement parts at no charge within 30 days of purchase.

Please keep in mind that for select damaged part replacement requests, we will require a photo for submission.

To order these parts, or if you have any other questions or concerns about this GQBrands product, please contact us at

PureFun.Net
GQBrands®
Phone: 1-866-498-5269
Email: CustomerService@GQBrands.com
4401 Samuell Blvd, Ste 150,
Mesquite, TX 75149

Please be sure to include the following information when you contact Customer Service:

YOUR NAME: _____

YOUR MAILING ADDRESS: _____

YOUR EMAIL ADDRESS: _____

PRODUCT NAME: _____

PRODUCT MODEL#: _____

PART NUMBER _____

RETAILER WHERE PURCHASED: _____

DATE OF PURCHASE: _____

ORDER NUMBER: *(If Available)* _____

SERIAL NUMBER: *(If Available)* _____

QUANTITY NEEDED: _____

PICTURE OF DAMAGED PART

LIMITED WARRANTY

Global Quality Brands® warrants this product to be free from defects in workmanship and materials under normal use and conditions for a period of 90 DAYS FROM THE DATE OF ORIGINAL PURCHASE. This Limited Warranty is not transferable and is available only for the original purchaser of the Product. The Company's obligation under this warranty is limited to replacing or repairing the Product, at the discretion of the company.

All warranty coverage extends only to the original retail purchaser from the date of purchase. GQBrands obligation under this warranty is limited to replacing or repairing, at Global Quality Brands® option. All products for which a warranty claim is made must be received by Global Quality Brands® and accompanied by sufficient proof of purchase (photocopy of the original store receipt, indicating the date of purchase). All freight and handling fees are the responsibility of the consumer to pay, both to and from Global Quality Brands®. All warranty claims must be pre-authorized by Global Quality Brands® pre-authorization can be obtained by calling 866-498-5269.

This warranty does not cover ordinary wear and tear, weathering, failure to follow directions, improper installation, improper maintenance, or acts of nature, (such as damage caused by wind, lightning, snow, water, or ice) weather damage, damage caused by unauthorized repair work or damage caused by improper use of the products are not covered by the product warranty. No other warranty beyond that specifically set forth above is authorized by GQBrands®.

GLOBAL QUALITY BRANDS® IS NOT RESPONSIBLE OR LIABLE FOR INDIRECT, SPECIAL OR CONSEQUENTIAL DAMAGES ARISING OUT OF OR IN CONNECTION WITH THE USE OR PERFORMANCE OF THE PRODUCT OR OTHER DAMAGES WITH RESPECT TO ANY ECONOMIC LOSS, LOSS OF PROPERTY, LOSS OF REVENUE OR PROFITS, LOSS OF ENJOYMENT OR USE, COST OF REMOVAL, INSTALLATION OR OTHER CONSEQUENTIAL DAMAGES. SOME STATES DO NOT ALLOW THE EXCLUSION OR LIMITATION OF INCIDENTAL OR CONSEQUENTIAL DAMAGES. ACCORDINGLY,

THE ABOVE LIMITATION MAY NOT APPLY TO YOU. THE WARRANTY EXTENDED HEREUNDER IS IN LIEU OF ALL OTHER WARRANTIES AND GLOBAL QUALITY BRANDS®, SPECIFICALLY DISCLAIMS ANY IMPLIED WARRANTY OF MERCHANTABILITY OR FITNESS FOR A PARTICULAR PURPOSE IS LIMITED IN ITS SCOPE AND DURATION TO THE TERMS SET FORTH HEREIN. SOME STATES DO NOT ALLOW LIMITATION ON HOW LONG AN IMPLIED WARRANTY LASTS. ACCORDINGLY, THE ABOVE LIMITATION MAY NOT APPLY TO YOU. THIS WARRANTY GIVES YOU SPECIFIC LEGAL RIGHTS. YOU MAY ALSO HAVE OTHER RIGHTS, WHICH VARY FROM STATE TO STATE.

WHILE EVERY ATTEMPT IS MADE TO ENSURE THE HIGHEST DEGREE OF PROTECTION IN ALL EQUIPMENT, WE CANNOT GUARANTEE FREEDOM OF INJURY. THE USER ASSUMES ALL RISK OF INJURY DUE TO USE. ALL MERCHANDISE IS SOLD ON THIS CONDITION, WHICH NO REPRESENTATIVE OF GQBRANDS® CAN WAIVE OR CHANGE.

WARNINGS



ADULT ASSEMBLY REQUIRED **CHOKING HAZARD - Small Parts** **NOT for children under 3 years of age.**

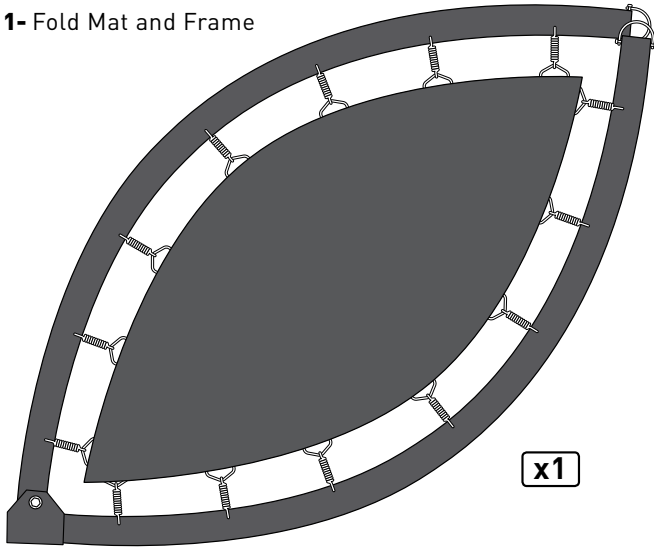
Please read these warnings and the information in this manual in its entirety.

Failure to comply with the following instructions may increase the risk of serious injury and/or death:

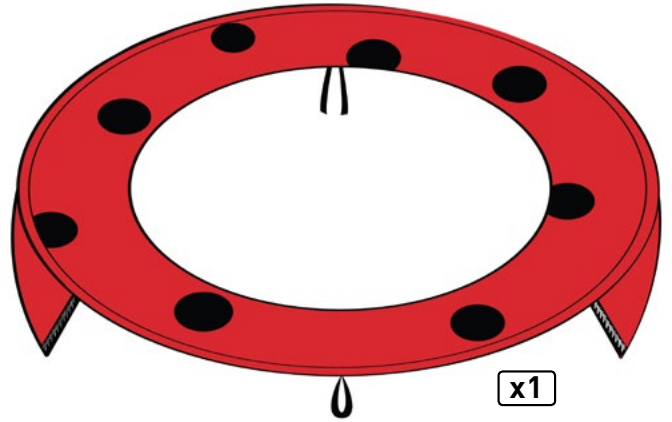
- This unit must be assembled and disassembled by **ADULTS ONLY**.
- Children must be supervised at all times when using this equipment. **DO NOT** leave children unattended at any time.
- Children **MUST NEVER** use the trampoline unless supervised by a responsible adult with knowledge of trampoline use.
- This trampoline is suitable for use by most children 3 to 7 years of age.
- **DO NOT** exceed the **MAXIMUM WEIGHT** limit of 75 Lbs (34kgs) regardless of age.
- This trampoline is **NOT** for adult use.
- The trampoline handle is only intended to assist your child with controlling their bounce and maintaining their balance on the mat. The handle should **NOT** be used for any other purpose or as a climbing feature.
- This trampoline is only designed for normal residential indoor use. It is **NOT** intended for commercial applications and/or in public areas such as schools, parks, nurseries, day schools, day cares, etc. For **INDOOR USE ONLY**: Your trampoline should be placed at a safe distance from any obstructions, stairways, windows, furniture, appliances, etc.
- **DO NOT** allow more than one person on the trampoline at a time.
- **DO NOT** wear glasses or helmets when using the trampoline.
- **DO NOT** fall or bounce on your knees - this can cause injury.
- **DO NOT** somersault — this can cause serious injury, including paralysis or death.
- **DO NOT** allow other persons to go under, sit, stand or lie on or near the frame pads or mat while the trampoline is in use.
- **NEVER** store items or playthings under the trampoline.
- **ALWAYS** secure this trampoline against unauthorized and/or unsupervised use.
- **DO NOT** use or allow use of the trampoline under the influence of any substance or medication which may impair the supervisor's or jumper's judgment and/or coordination.
- Mount and dismount the trampoline with care as injury may result.
- **ALWAYS** remove jewelry, belt buckles, or any other sharp objects before using the trampoline.
- **ALWAYS** jump in the middle of the trampoline bed.
- You should only use the included Spring Tool to attach the Springs. Work gloves are recommended to be worn when attaching the Springs to protect against pinch points.
- Before each use of this product, carefully inspect it and replace any worn, defective or missing parts. Although the springs, pad, foam and mat are made to take a lot of wear, over time these parts may need to be replaced. Additionally, the construction of this trampoline uses hardware which may need to be re-tighten in certain cases. It is important to check the trampoline periodically to ensure the frame is steady and all parts are in good condition.
- **ALWAYS** make sure that the bolt ends are covered by the included Safety Caps. If a Safety Cap is missing, the bolt ends should be sufficiently covered with another protective device before use by a child is allowed.
- Please read and refer to other warnings and use information in the trampoline instructions before use.
- Dispose of all packaging materials safely and per local ordinance.
- We cannot guarantee freedom from injury. The user assumes all risks of injury due to use. All merchandise is sold on this condition, which no representative of the company can waive or change.

PARTS LIST

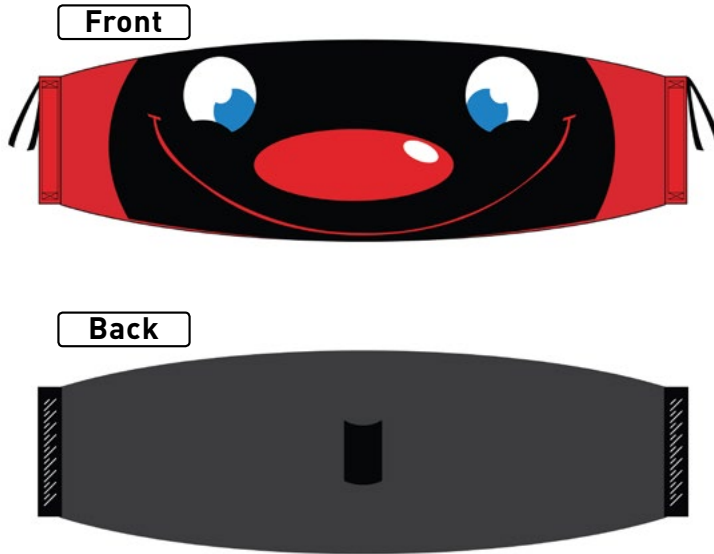
1- Fold Mat and Frame



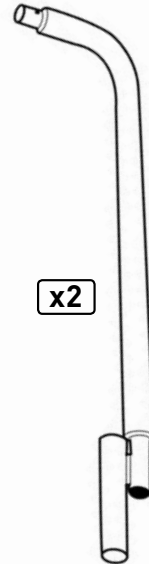
2- Frame Pad



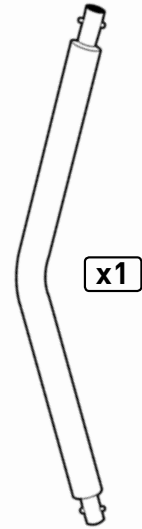
3- Plush Face



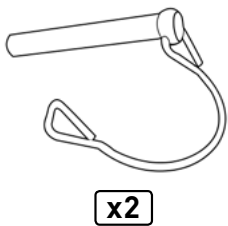
4- Side Handrail



5- Center Handrail



6- Safety Hook



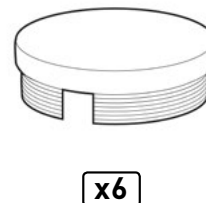
7- Leg



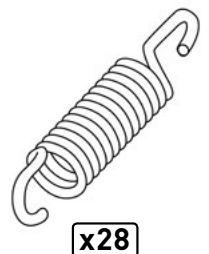
8- Leg Cap



9- Frame Cap

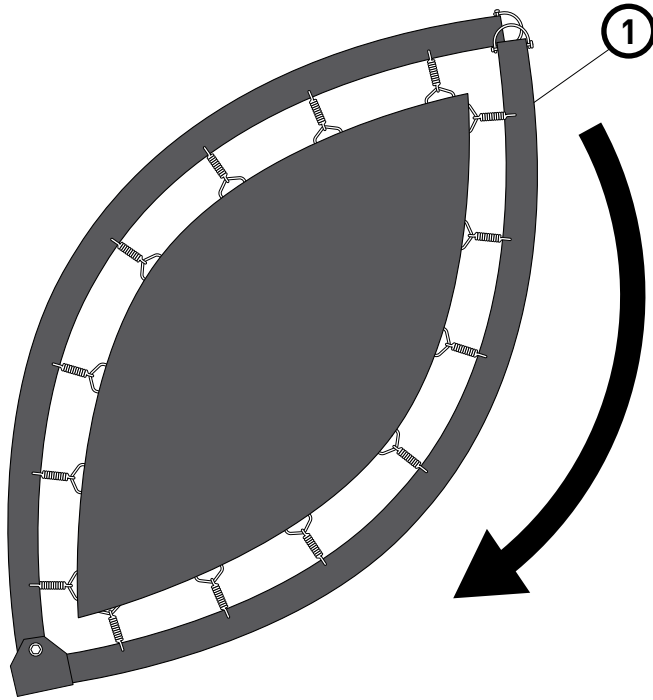


10- Springs



ASSEMBLY INSTRUCTIONS

STEP 1

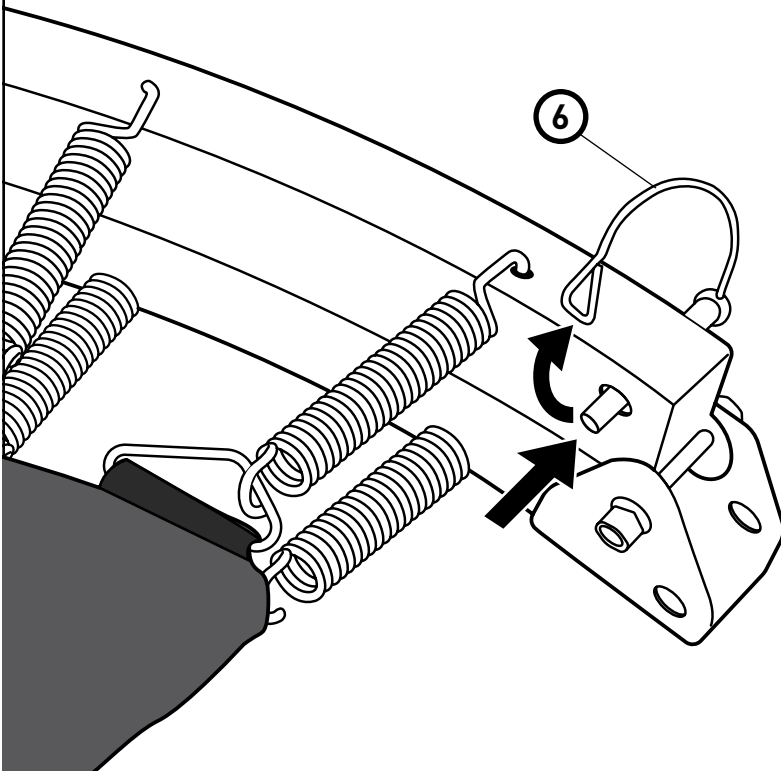


Parts:

Part 1 (x1) - Fold Mat and Frame

Locate the middle of the Jump Mat and Frame (1) and unfold to make half a circle in shape.

STEP 2



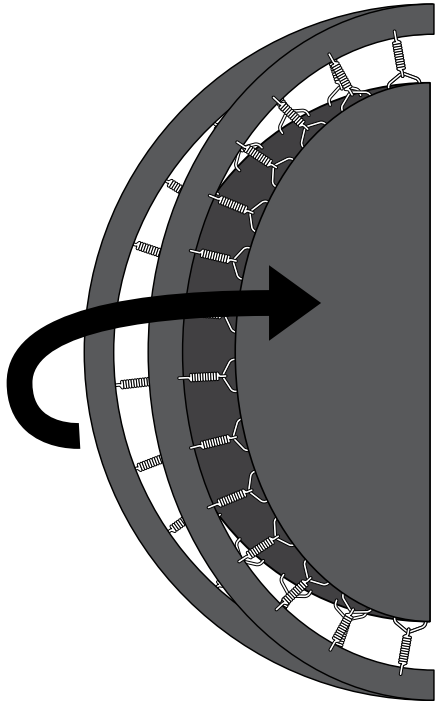
Parts:

Part 6 (x2) - Safety Hook

Once the Frame has been folded, remove the clasp from The Safety Hook and push the Hooks out of the Frame

ASSEMBLY INSTRUCTIONS

STEP 3

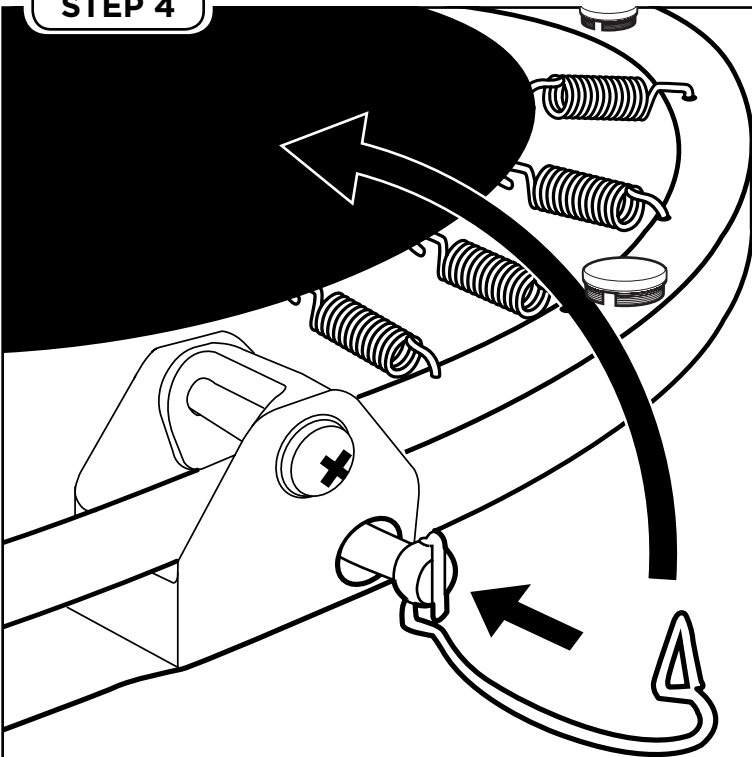


Apply weight to one side of the Jump Mat and unfold to complete the circle.

NOTE:

Make sure to keep applying pressure to the Frame to avoid tension to close the frame. Failure to do so can cause injury.

STEP 4



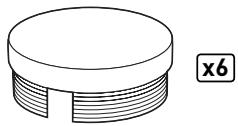
Once the Mat is Completely unfolded and the Jump Mat is Stretched out properly, place the Safety Hooks (6) back on both brackets.

Make sure the Safety Hooks are completely inserted, and use the clasp to secure the Frame Pad from Unfolding.

ASSEMBLY INSTRUCTIONS

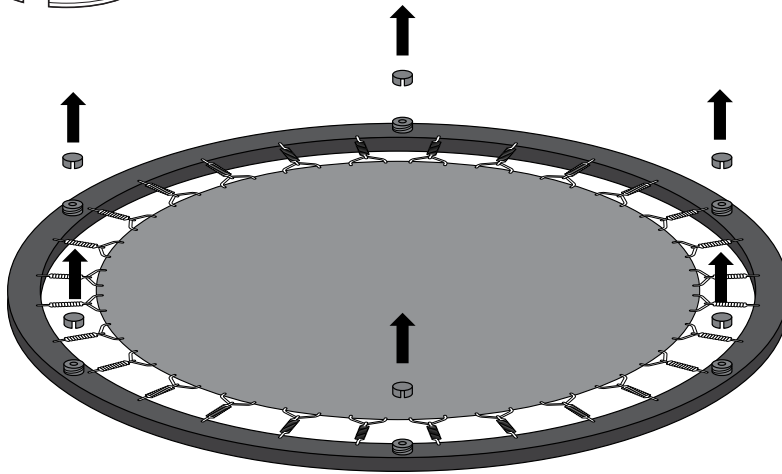
STEP 5

9- Frame Cap



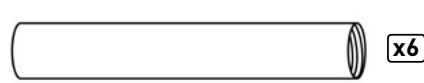
Remove all Frame Caps (9) from the Jumping Mat and Folding Frame.

This will expose the screws to insert the Legs (7) into in Step 6.

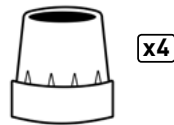


STEP 6

7- Leg

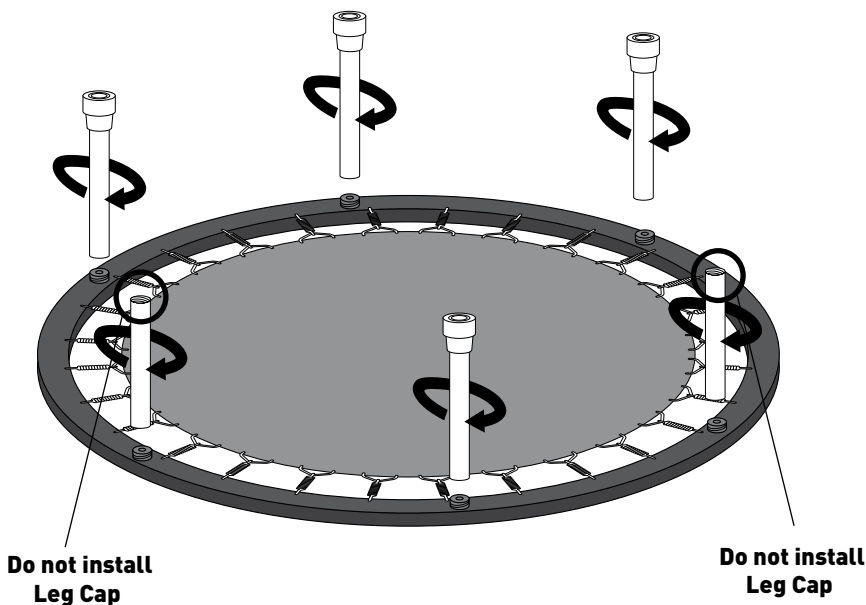


8- Leg Cap



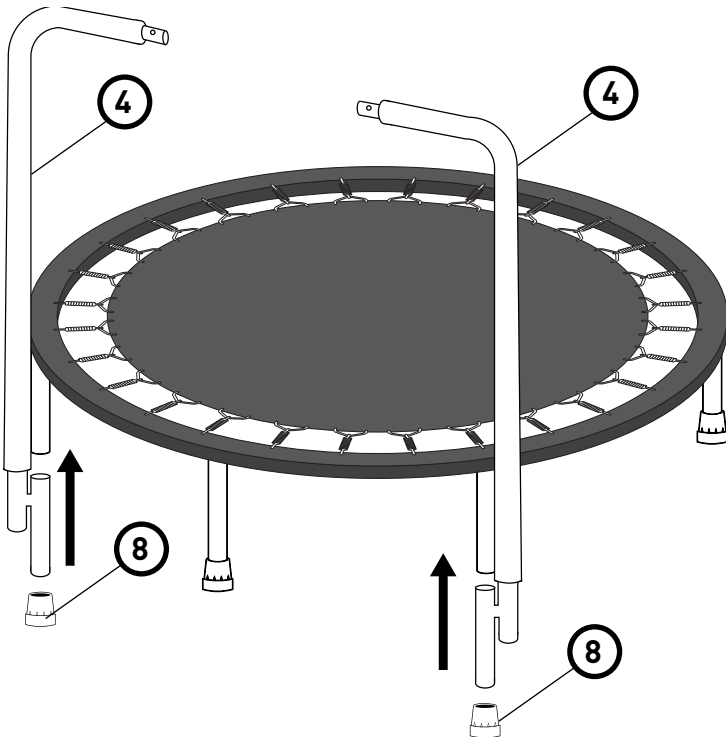
Grab 4x Legs (7) and insert 4x Leg Caps (8) to create 4 Assembled Legs. You will have 2 legs that do not need Leg Caps until Step 7.

Twist the Legs into the 6 exposed screws in the Frame.



ASSEMBLY INSTRUCTIONS

STEP 7

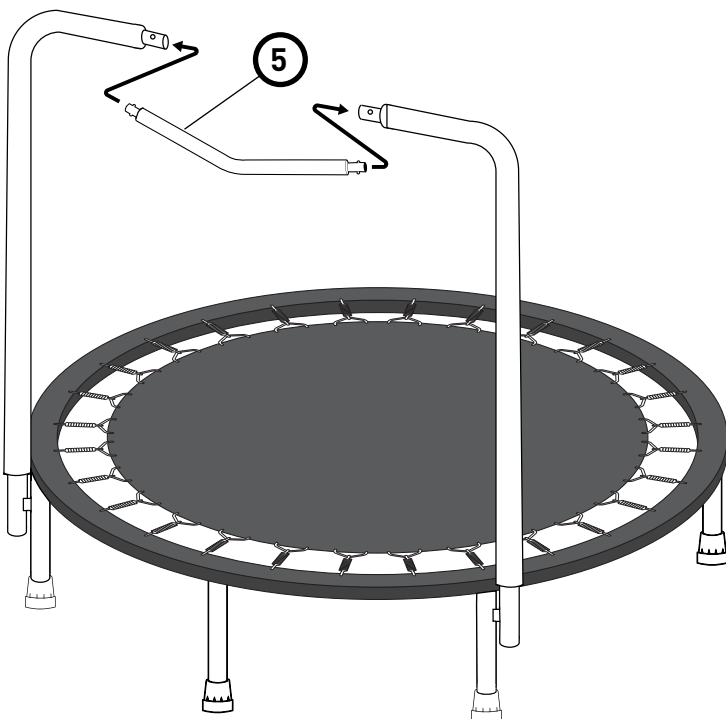


Flip the Trampoline over so that the legs are facing the floor.

Slide a Side Handle Rail (4) on each of the Legs without Leg Caps and secure with the remainder of the Leg Caps.

Make sure that both Side Hand Rails Are facing each other.

STEP 8



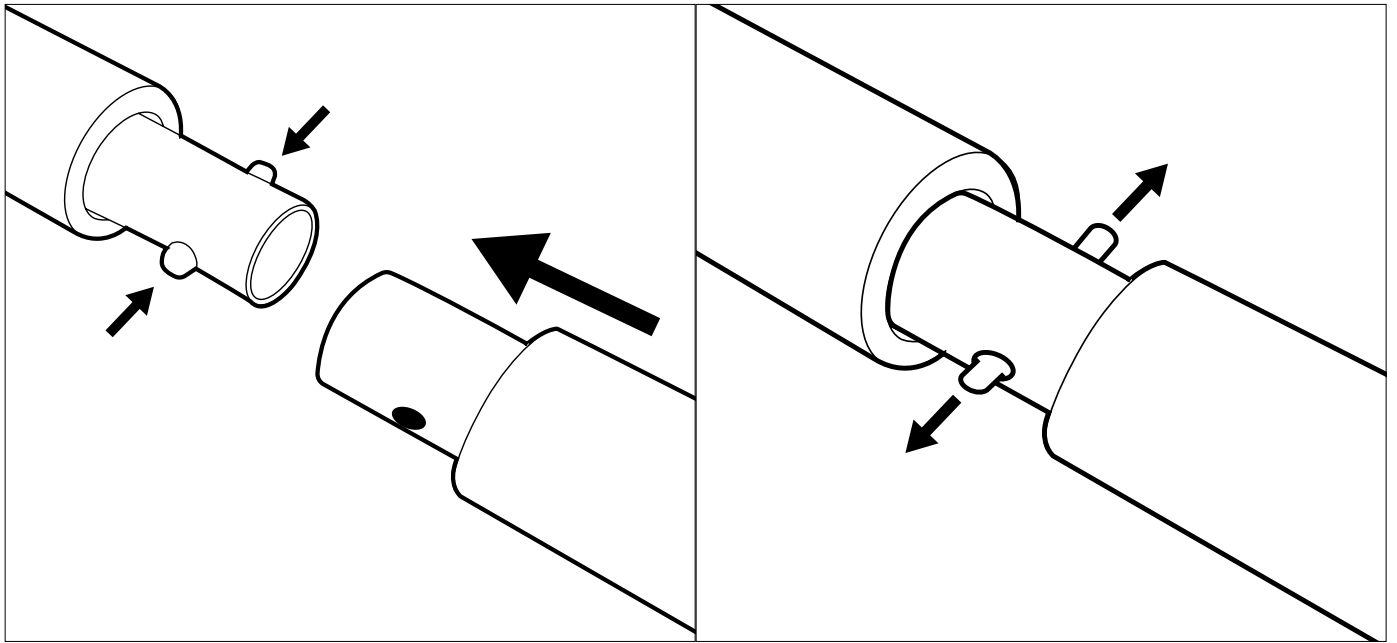
Insert the Center Handrail (5) in between both Side Handrails and use the Snap and Click buttons to secure.

Make sure that the curved end is pointing outward and giving space for the trampoline to show.

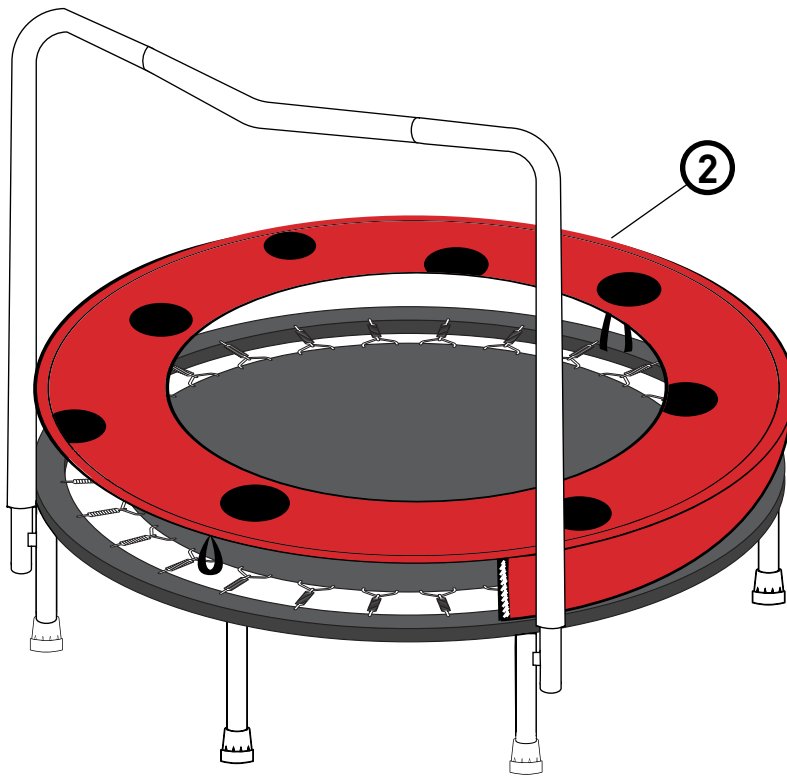
Once Installed, Slide the foams until they meet to avoid pinching while jumping.

ASSEMBLY INSTRUCTIONS

USING SNAP & CLICK BUTTONS



STEP 9

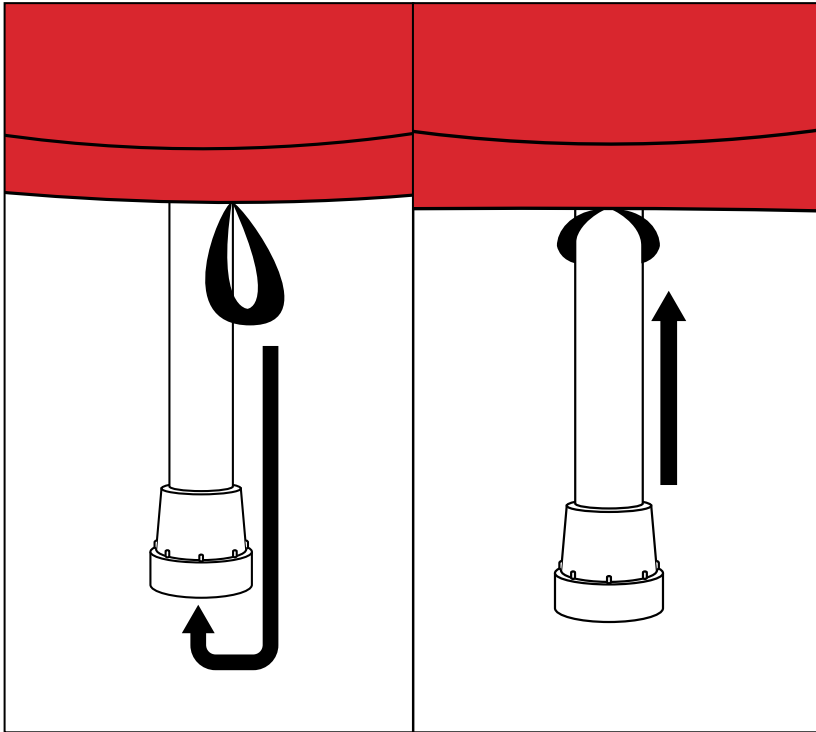


Place the Frame Pad (2) on top of the Trampoline so that the soft texture is facing upwards.

Align the front Loop in the exposed area of the Frame Pad to the front Leg and Handrail of the Trampoline.

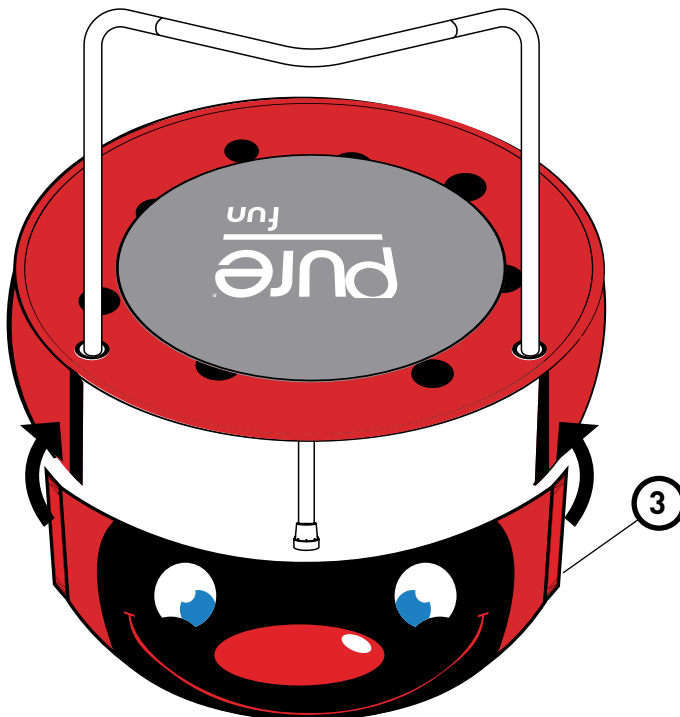
ASSEMBLY INSTRUCTIONS

STEP 10



Pull the Loop on front of the Frame Pad and stretch it until it is hooked to the Leg

STEP 11

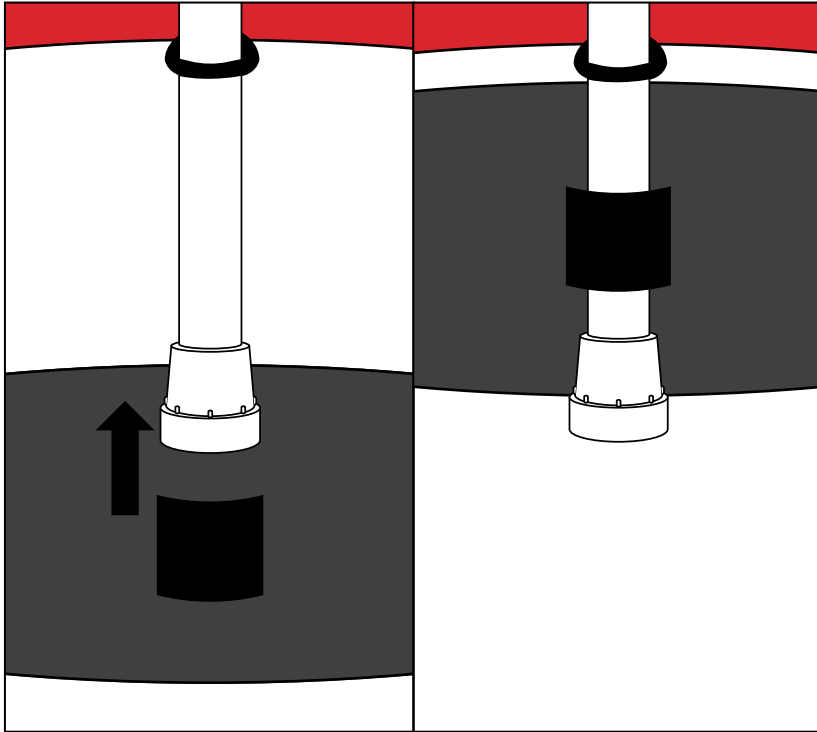


Attach the Plush Pillow (3) to the exposed Velcro straps on the Frame pad.

Align both Velcro straps to their respective sides with the face of the Plush facing outward.

ASSEMBLY INSTRUCTIONS

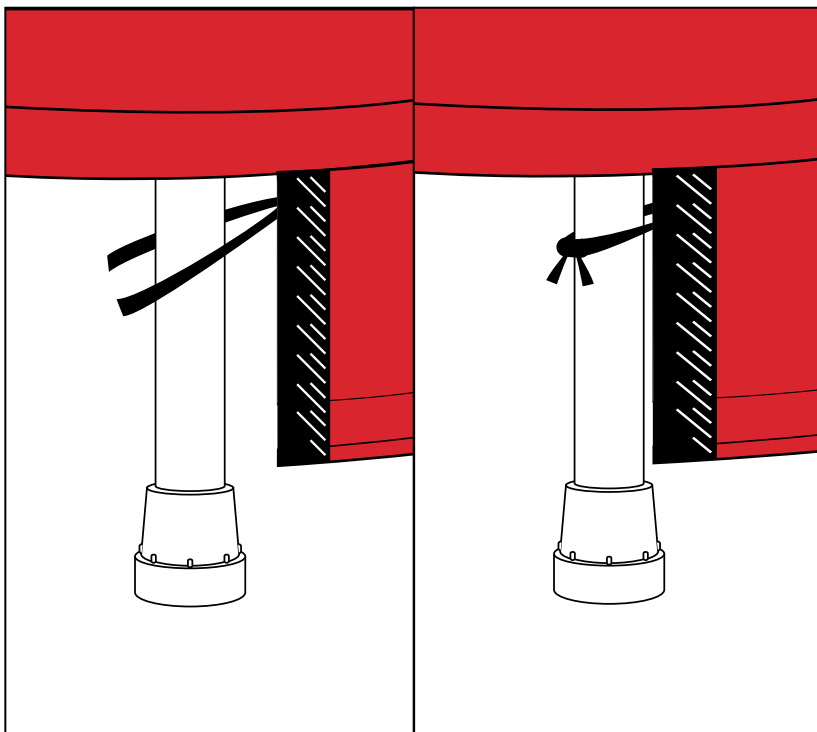
STEP 12



On the back of the Plush Face there is a Hook Strap that must be inserted in the front leg of the Trampoline.

Slide the Hook from the bottom of the Leg until it passed the Lag Cap.

STEP 13



There are 3 String Locations. In the Back of the Frame Pad, Left Hand Rail, and Right Hand Rail.

Tie all Strings to the closest/respective legs to ensure the Frame Pad is snug to the Frame and won't move while in use

