

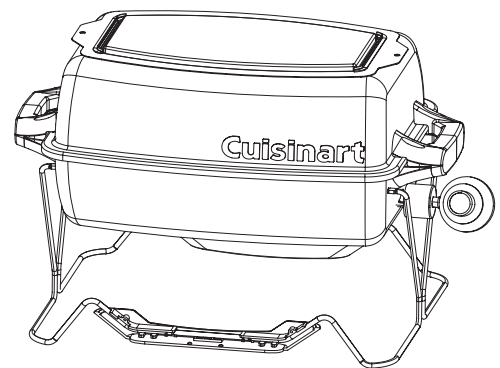
Cuisinart®

Outdoor Grilling Products

MODEL: CGG-080

Griddl'n Grill Gas Grill

ASSEMBLY AND OPERATING INSTRUCTIONS



⚠️ WARNING: FOR OUTDOOR USE ONLY

- ⚠️ This instruction manual contains important information necessary for the proper assembly and safe use of the appliance
- ⚠️ Read and follow all warnings and instructions before assembling and using the appliance
- ⚠️ Follow all warnings and instructions when using the appliance
- ⚠️ Keep this manual for future reference

Note to installer: Leave this Owner's Manual with the consumer after delivery and/or installation.

Note to customer: Leave this Owner's Manual in a convenient place for future reference.

⚠️ DANGER

1. Do not store or use gasoline or other flammable liquids or vapors in the vicinity of this or any other appliance.
2. An LP cylinder not connected for use shall not be stored in the vicinity of this or any other appliance.

⚠️ DANGER

If you smell gas:

1. Shut off gas to the appliance.
2. Extinguish any open flame.
3. Open lid.
4. If odor continues, keep away from the appliance and immediately call your fire department.



Failure to follow these instructions could result in fire, explosion or burn hazard, which could cause property damage, personal injury or death.

⚠️ DANGER

1. Never operate this appliance unattended.
2. Never operate this appliance within 10 ft (3.0 m) of any structure, combustible material or other gas cylinder.
3. Never operate this appliance with 25 feet (7.5m) of any flammable liquid.
4. If a fire should occur, keep away from the appliance and immediately call your fire department . Do not attempt to extinguish an oil or grease fire with water.
5. Heated liquids remain at scalding temperatures long after the cooking process. Never touch cooking appliance until liquids have cooled to 115°F (45°C) or less.

Failure to follow these instructions could result in fire, explosion or burn hazard, which could cause property damage, personal injury or death.

Table of Contents

1. Warnings and Safety Instructions	3
2. Illustrated Parts List	4
3. Exploded Diagram	5
4. Assembly Instructions	6
5. Operating Your Grill	
5.1 Choosing a location for installation	10
5.2 Special Instructions for Use of Regulator and Cylinder	10
5.3 Installing the LP gas cylinder	11
5.4 Checking for Leaks	11
5.5 Lighting Instructions	12
5.6 Match Lighting	13
5.7 Using the Grill	13
5.8 Using the Griddle	14
6. Care and Maintenance	14
7. Warranty Program and Replacement Parts	15

1. Warnings and Safety Instructions

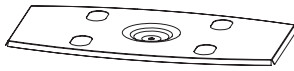
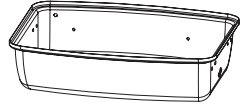


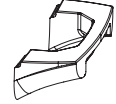



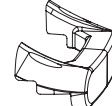


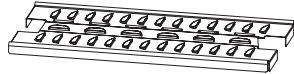



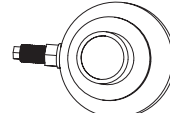



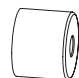
If these instructions are ignored, there is a possibility of a hazardous fire or explosion which could result in physical injury or property damage! It is your responsibility to assemble, operate and maintain your gas grill properly.

READ ALL WARNINGS AND INSTRUCTIONS PRIOR TO ASSEMBLING AND OPERATING YOUR GRILL

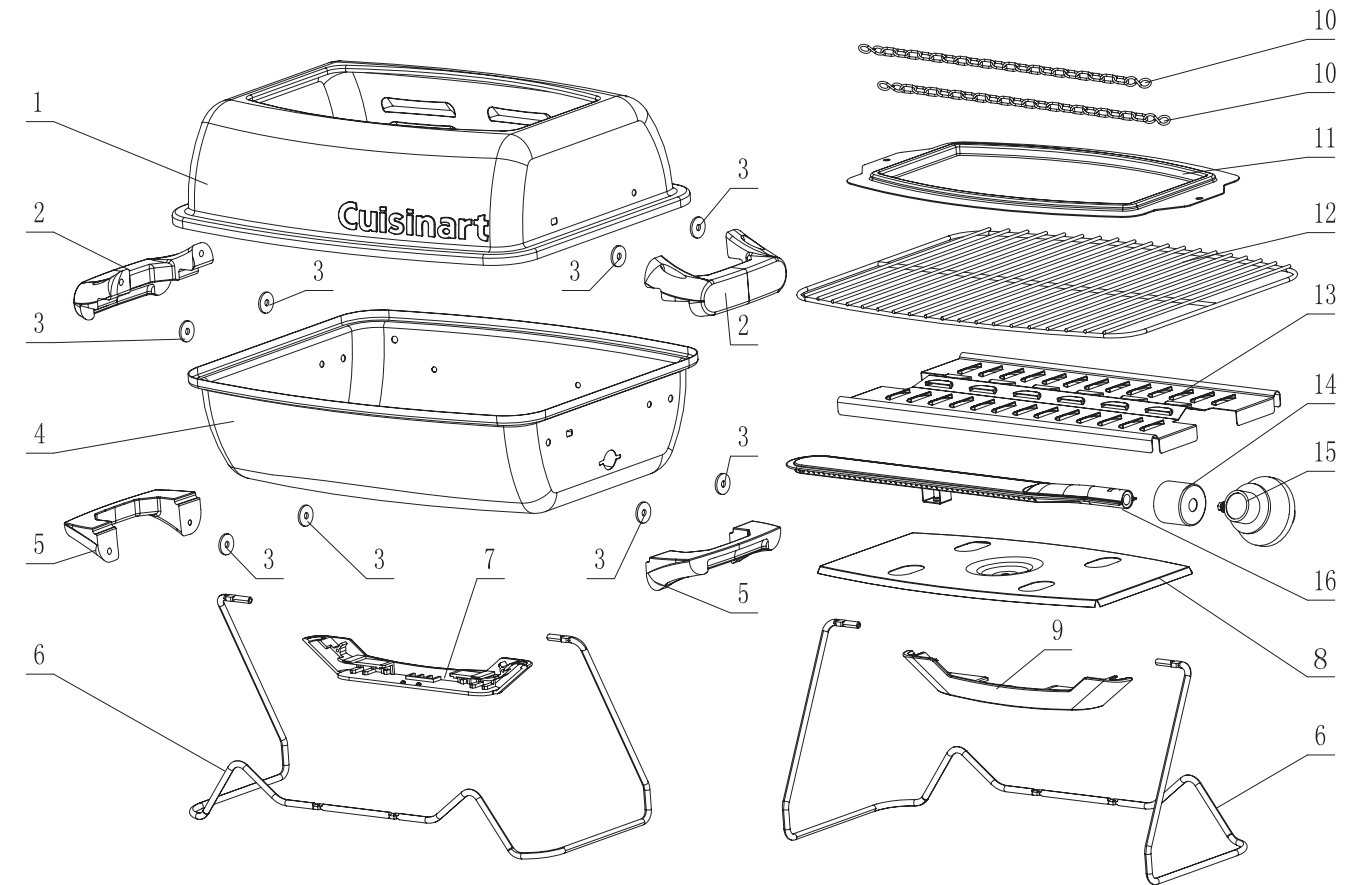
WARNINGS:

- ⚠ This grill is for outdoor use only. It should NOT be used in a building, garage or any other enclosed area.
- ⚠ The use of alcohol, prescription or non-prescription drugs may impair an individual's ability to properly assemble or safely operate this appliance.
- ⚠ Do not leave the grill unattended. Keep children and pets away from the grill all the times.
- ⚠ Do not use the grill in high wind.
- ⚠ This grill must be used with propane gas only. Liquid propane is not natural gas. The conversion or attempted use of natural gas in a liquid propane grill is dangerous and will void your warranty.
- ⚠ Do not attempt to attach this grill to the self-contained propane system of a camper, trailer, motor home or house.
- ⚠ Do not use charcoal or lighter fluid.
- ⚠ Do not use gasoline, kerosene or alcohol for lighting. The LP-gas cylinder must be constructed and marked in accordance with the specifications for propane gas cylinder of the U.S. Department of Transportation (DOT).
- ⚠ Do not attempt to move the grill when in use.
- ⚠ Do not use the grill unless it is COMPLETELY assembled and all parts are securely fastened and tightened. If there are any missing or damaged parts, contact customer service for a replacement.
- ⚠ Do not alter the grill in any manner.
- ⚠ Do not operate the grill if there is gas leak present.
- ⚠ The use and installation of this product must conform to local codes. In the absence of local codes, use the National Fuel Gas Code: ANSI Z223.1/NFPA54, Storage and Handling of Liquefied Petroleum Gases, ANSI/NFPA 58 or Natural Gas and Propane Installation Code, CSA B149.1; Propane Storage and Handling, CSA B149.2.
- ⚠ This appliance is not intended to be installed in or on a boat or recreational vehicle.
- ⚠ Locate the grill away from any combustible or non-combustible materials or construction by at least 24 inches (61cm) from the back and sides.
- ⚠ Keep appliance area clear and free from combustible materials, gasoline and other flammable vapors and liquids.
- ⚠ When cooking with oil or grease, have a type BC or ABC fire extinguisher readily available. In the event of an oil or grease fire do not attempt to extinguish with water. Immediately call the fire department. A Type BC or ABC fire extinguisher may, in some circumstances contain the fire.
- ⚠ The appliance shall not be located used under overhead unprotected combustible construction.
- ⚠ This appliance is not intended for and should never be used as a heater.
- ⚠ This appliance will be hot during and after use. Use insulated oven mitts or gloves for protection from hot surfaces or splatter from cooking liquids.
- ⚠ This appliance is not intended for commercial use.
- ⚠ The pressure regulator supplied with the Cuisinart Gas Grill must be used.

2. Illustrated Parts List

A		Heat Shield	1 Pc
B		Fire Box	1 Pc
C		Burner	1 Pc
D		M6 Screw	4 Pcs
E		Lower Handle	2 Pcs
F		Handle Screw	8 Pcs
G		Handle Hex Nut	8 Pcs
H		Grill Lid	1 Pc
I		Lid Handles	2 Pcs
J		Leg Assembly A	1 Pc
K		Leg Assembly B	1 Pc
L		Flame Tamer	1 Pc
M		Grill Grate	1 Pc
N		Griddle	1 Pc
O		Transport Chain	2 Pcs
P		Regulator	1 Pc
Q		Outer Handle Washer	8 Pcs
R		Inner Handle Washer	8 Pcs
S		M6 Hex Nut	3 Pcs
T		Wind Shield	1 Pc

3. Exploded View



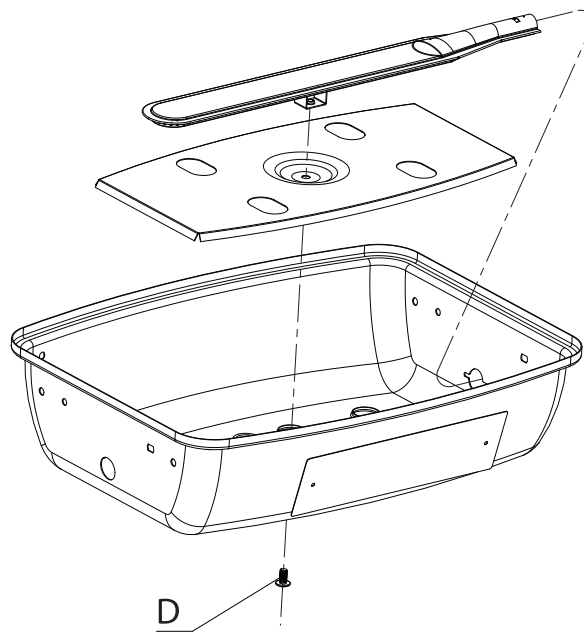
1	Grill Lid	9	Leg Handle B
2	Lid Handle	10	Chain
3	Washer	11	Griddle Assembly
4	Fire Box	12	Grill Grate
5	Lower Handle	13	Flame Tamer
6	Leg	14	Wind Shield
7	Leg Handle A	15	Regulator
8	Heat Shield	16	Burner Assemble

4. Assembly Instructions

Remove all the contents from packaging, and make sure all parts are present before attempting to assemble! Refer to Illustrated Parts List on page 4.

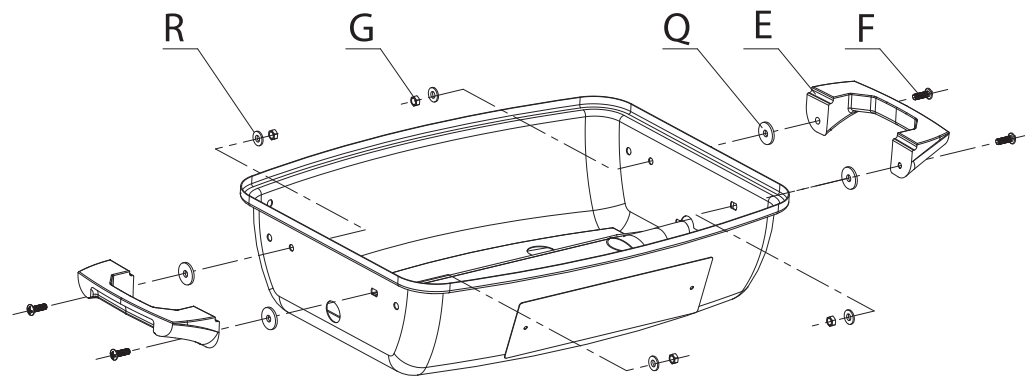
Step 1: Burner Assembly

- Place Heat Shield (Part A) in center of Fire Box (Part B) so hole aligns with bottom of fire box.
- From inside firebox, insert Burner (Part C) through hole on side of Fire Box so bracket on bottom of burner aligns with holes in firebox and heat shield.
- Tighten M6 Screw (Part D) from under fire box to secure burner.



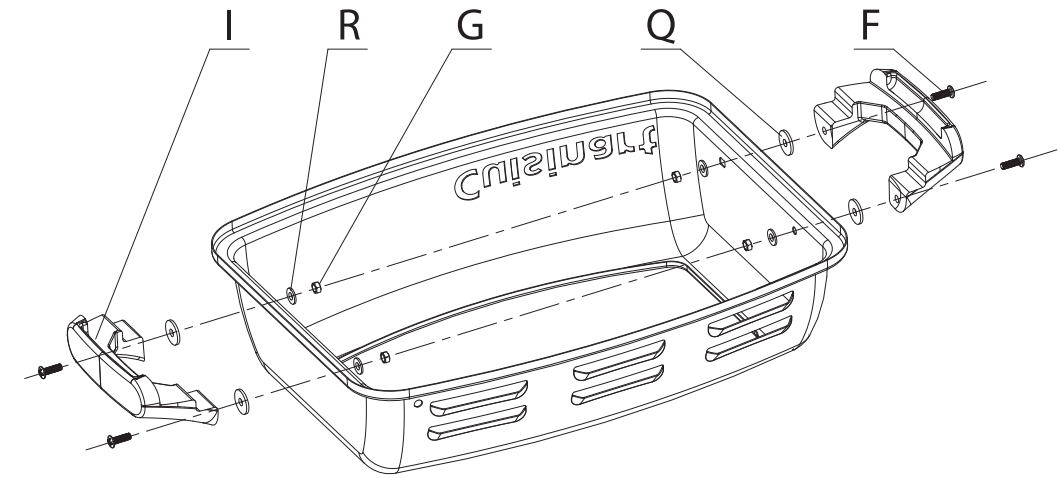
Step 2: Lower Handle Assembly

Attach 2 Lower Handles (Part E) to Fire Box using 2 Handle Screws (Part F), 2 Handle Hex Nuts (Part G), 2 Outer Handle Washers (Part Q) and 2 Inner Handle Washers (Part R) for each handle.



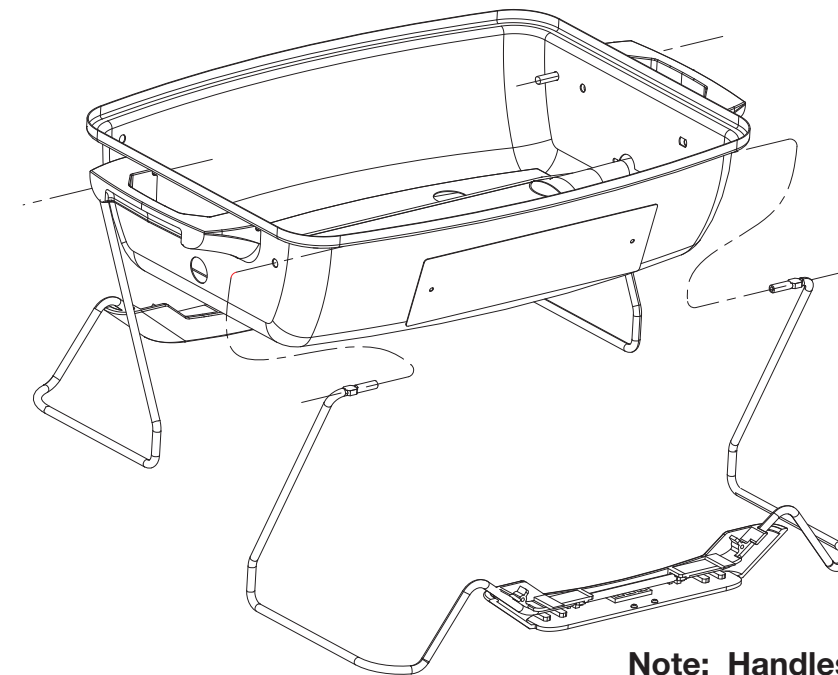
Step 3: Lid Handle Assembly

Attach 2 Lid Handles (Part I) to Fire Box using 2 Handle Screws (Part F), 2 Handle Hex Nuts (Part G), 2 Outer Handle Washers (Part Q) and 2 Inner Handle Washers (Part R) for each handle



Step 4: Leg Assembly

- Attach Leg Assembly A (Part J) to Fire Box by inserting by inserting ends of Leg Assembly A into holes as shown.
- Attach Leg Assembly B (Part K) to Fire Box by inserting by inserting ends of Leg Assembly A into holes as shown.

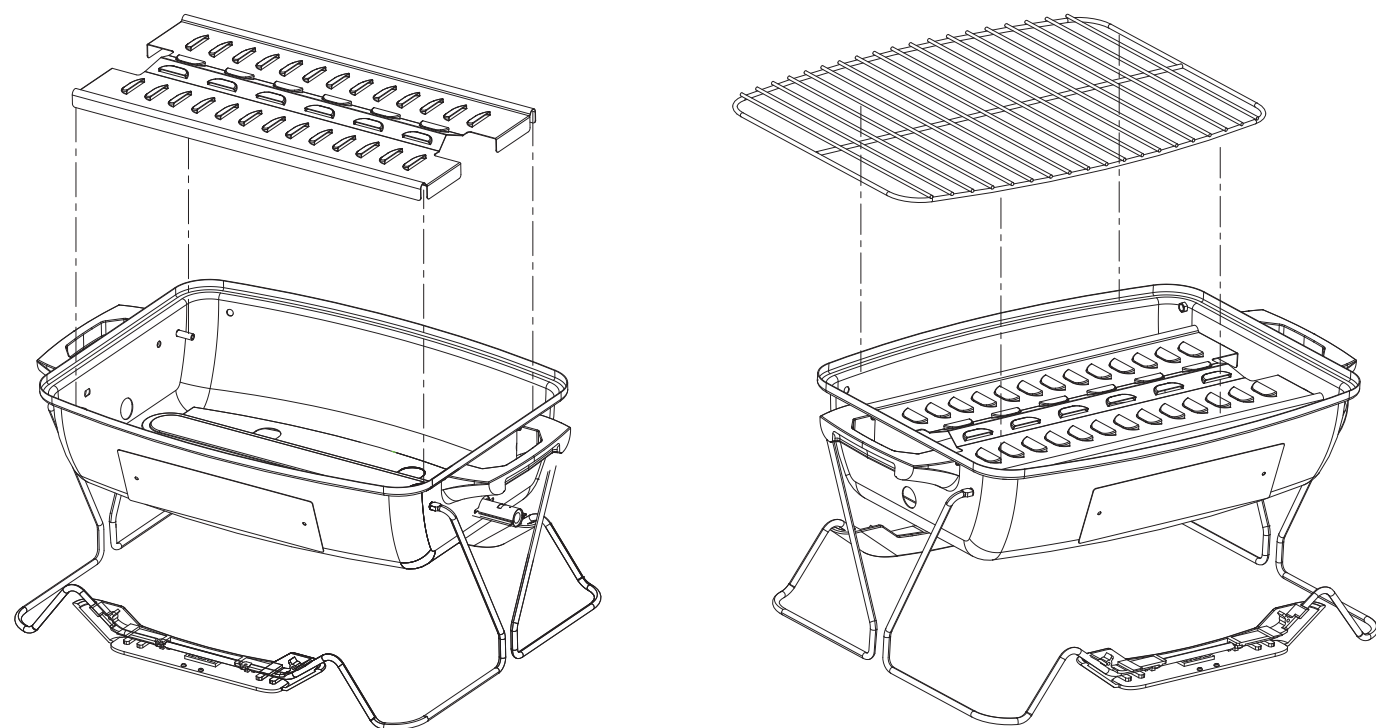


Note: Handles should be able to lock together when in carry mode.

4. Assembly Instructions (cont.)

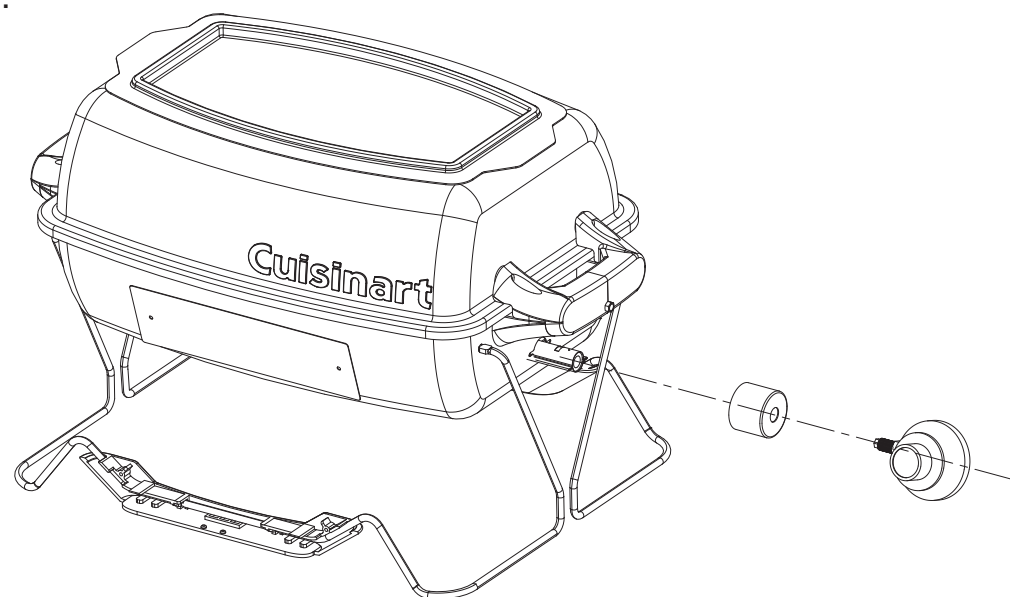
Step 5: Flame Tamer, Grate and Griddle Assembly

- Attach Flame Tamer (Part L) by resting edges onto the ends of the Leg Assemblies inside the Fire Box as shown.
- Add Grill Grate (Part M) as shown. Griddle (Part N) nests on lid as shown in Step 6.



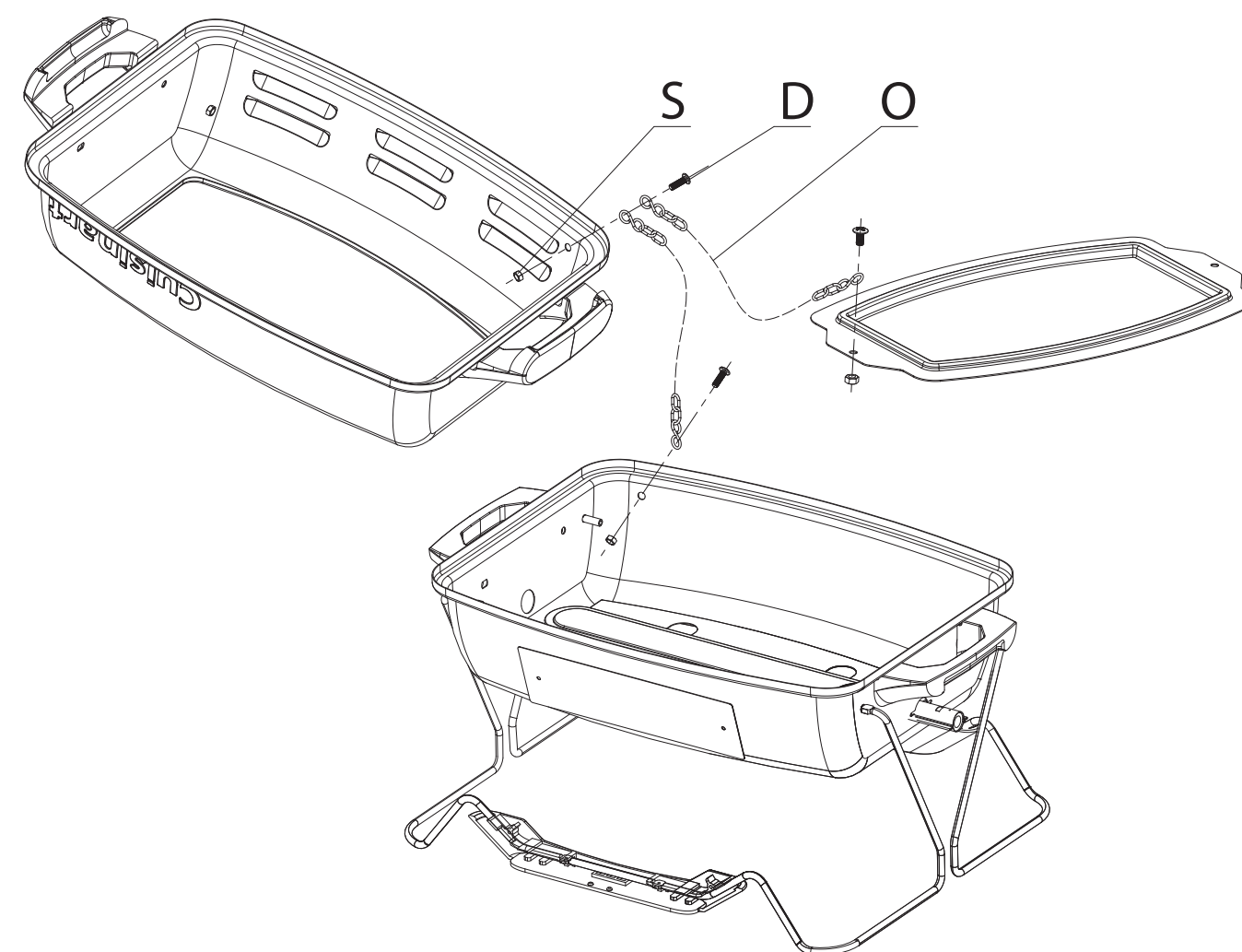
Step 6: Attaching the Regulator

Attach Regulator (Part P) by sliding Wind Shield (Part T) over burner tube and screwing regulator into end of burner Assembly as shown.



Step 7: Attaching Transport Safety Chain

- Attach one Transport Chain (Part O) to Fire Box and one Transport Chain to Griddle (Part N) using one M6 Screw (Part D) and one M6 Hex Nut (Part S) for each chain.
- Attach two ends of Transport Chains to Lid using one M6 Screw (Part D) and one M6 Hex Nut (Part S). Screw should fit through both chain links to attach as shown.



5. Operating Your Grill

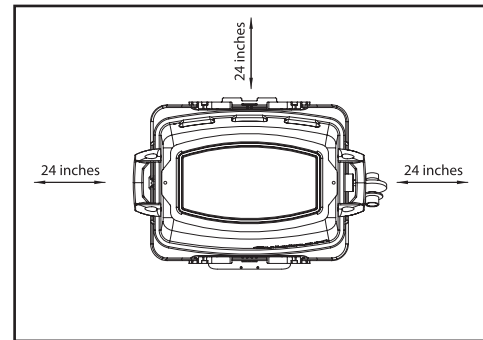
5.1 Select a proper location

Once you have assembled your new grill, find a suitable location for use.

Note: The use and installation of this product must conform to local codes. In the absence of local codes, use the National Fuel Gas Code: ANSI Z223.1/NFPA54, Storage and Handling of Liquefied Petroleum Gases, ANSI.NFPA 58 or Natural Gas and Propane Installation Code, CSA B149.1; Propane Storage and Handling, CSA B149.2.

⚠ DANGER

1. Never use this outdoor grill inside any building, garage, shed or breezeway, or inside any boat, trailer or recreational vehicle and/or boat, to prevent possible fire and to prevent the possibility of carbon monoxide poisoning or asphyxiation.
2. Always place your grill on a hard and level surface far away from combustible materials and structures.
3. Do not use this grill under overhead combustible surface or covered area (e.g., awnings, umbrellas, porches or gazebos). Keep all combustible surfaces at least 24" (61cm) away.
4. Locate the grill away from any combustible and non-combustible material or construction by at least 24 inches (61cm) from back and 24 inches (61cm) from side.(See the diagram below)
5. Never store or use gasoline or other flammable or volatile substances in the vicinity of this grill or in the vicinity of any other heat-generating appliance, because of the danger of starting a fire.
6. Do not obstructing the flow of combustion and ventilation air.



5.2 Special Instruction for the Use of Regulator and Propane Cylinder

- A propane gas cylinder is required for operation. Use a 1lb (465g) propane cylinder.
- This Cuisinart grill is equipped with a regulator having a CGA No.600 cylinder connection.
- Propane cylinder size: D10cm×H20cm. Only cylinders marked "PROPANE" must be used.
- The cylinders should be disconnected when the appliance is not in use
- The propane cylinder must be constructed and marked in accordance with the specification for LP-Gas cylinders of the U.S Department of Transportation (D.O.T) or the National standard of Canada, CAN/CSA-B339, Cylinders, spheres and Tubes for Transportation of Dangerous Goods.
- Store spare fuel canisters in a well-ventilated area away from the grill.
- Do not puncture or burn fuel canister.
- If the grill is not in use, the control knob must be turned to the "OFF" position to shut off the gas flow from the cylinder.
- Do not store a spare propane cylinder under or near this grill. Never fill the cylinder beyond 80 percent full. If these instructions are not followed exactly, a fire causing death or serious injury may occur.
- Save the cylinder cap and reinstall when not in use.
- Cylinder supply system must be arranged for vapor withdrawal. Do not block the pressure relief valve during use or storage.
- Keep the ventilation opening(s) of the cylinder enclosure free and clear from debris.
- The cylinder must be disconnected when the appliance is not in use.

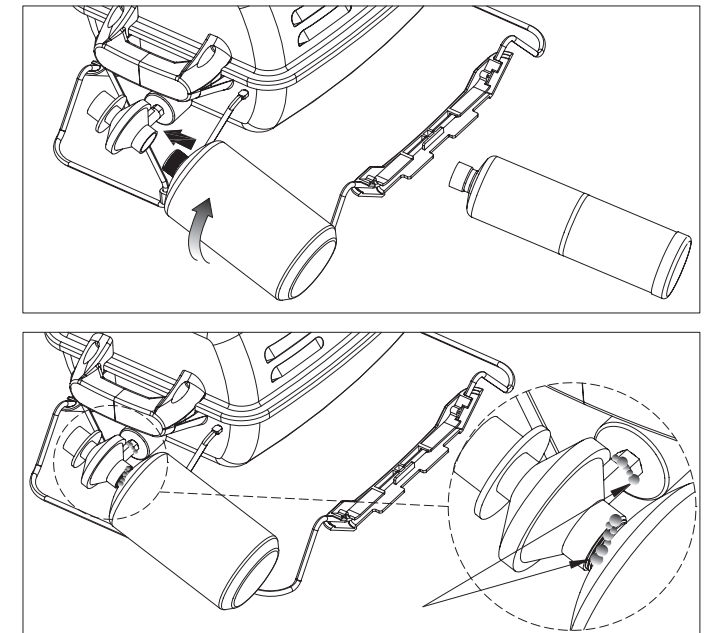
5.3 Installing the Gas Cylinder

(The propane gas cylinder is not provided with the appliance.)

A gas cylinder complying with the requirements listed in section 5.2 must be obtained before the grill can operate. Connect the LP cylinder to the grill outdoors only.

Read and follow all direction on the cylinder.

1. Turn the burner control knob to "OFF" position.
2. Remove the protective caps from the cylinder valve and coupling nut, if present.
3. Grasp the grill handle nearest to the regulator with one hand, and with the other hand push the cylinder into the threaded regulator connector and turn clockwise until tight.
4. **TIGHTEN BY HAND ONLY.** Do not use tools.



REMOVAL OF THE GAS CYLINDER (please see 5.3 Installing the Gas Cylinder)

- 1 Turn the burner control knob to "OFF" position.
- 2 Grasp the grill handle nearest to the regulator with one hand, and turn the cylinder counterclockwise until it comes off.

5.4 Checking for gas leak

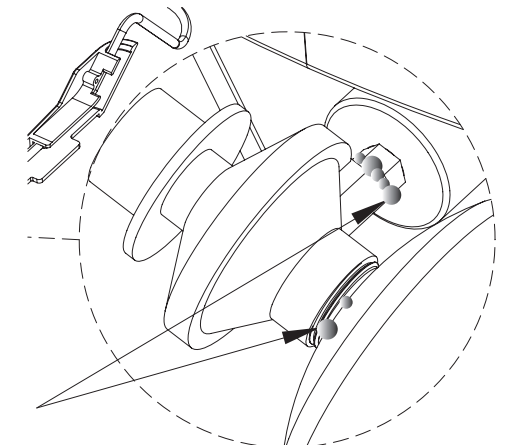
⚠ DANGER

Check gas system for leaks to prevent fire or explosion hazard

1. The "Leak Check" must be performed before lighting the grill and each time the cylinder is connected for use.
2. Do not smoke or allow other sources of ignition in the area while conducting a leak test.
3. Conduct the leak test outdoors in a well-ventilated area.
4. Do not use matches, lighters or a flame to check for leaks.
5. Do not use grill until all leaks have been stopped, if you are unable to stop a leak, disconnect the propane supply, and call for gas application service or your local propane gas supplier.

LEAK CHECK METHOD

1. Make 2-3 oz. of leak solution by mixing one part liquid dishwashing soap with three parts water.
2. Make sure control knob is in the "OFF" position.
3. Spray or paint some leak solution on the cylinder and regulator connection.
4. Inspect the solution at the connections, looking for bubbles. If no bubbles appear, the connection is secure.
5. If bubbles appear, a leak is detected. Go to step 6.
6. Disconnect the cylinder from the regulator, and reconnect. Make sure the connection is secure and no leak is found before using the grill.
7. If you continue to see bubbles, **DO NOT USE THE GRILL.** Repeat the above process with a different LP cylinder. If leaks are still present, contact the customer service center.



5. Operating Your Grill (cont.)

5.5 Lighting Your Grill

⚠ DANGER

Failure to open lid while igniting the grill's burners or not waiting five minutes to allow gas to clear if the grill does not light, may result in an explosion, which could cause serious bodily injury or death.

WARNING!

To prevent possible bodily injury, never stand with your head directly over the grill when preparing to light the main burners.

BURNER

1. Open lid while lighting burners.

WARNING!

Attempting to light the burner with the lid closed may cause an explosion. Make sure there are no obstructions of airflow to the gas unit. Spiders and insects can nest and clog the burner/venturi tube at the orifice. A clogged burner tube can lead to a fire beneath the appliance.

2. Make sure the control knob is locked in the "OFF" position.
3. Turn gas supply "ON" by connecting propane cylinder to regulator inlet fitting.
4. Press and turn the control knob to "HIGH" then ignite the burner by lighting gun immediately. (See the diagram above). IMPORTANT: Use the hole on the opposite side of where the regulator valve is connected.
5. After lighting, please observe the burner flame; make sure all burner ports are lit. A blue / yellow flame of 1-2 inches from the burner rod should appear.
6. If burner does not light after first try, turn the control knob to its "off" position and wait 5 minutes for to clear before trying again. If burner flame goes out during operation, immediately turn the gas "off" and open lid to let the gas clear for about 5 minutes. Attempt to re-light.
7. If the burner flame is accidentally extinguished, immediately turn "OFF" the control knob (See diagram above).

* Before cooking on this grill for the first time, operate the grill for about 15 minutes with the lid closed and the gas turned on "high". This will "heat clean" the internal parts and dissipate odor from the painted finish.

* Clean your grill after each use, DO NOT use abrasive or flammable cleaners, as it will damage the parts of this product and may start a fire.

* Clean with warm soapy water.

OBSERVE FLAME HEIGHT WHEN LIT:

Flame should be a blue/yellow color between 1 to 2 inches high.

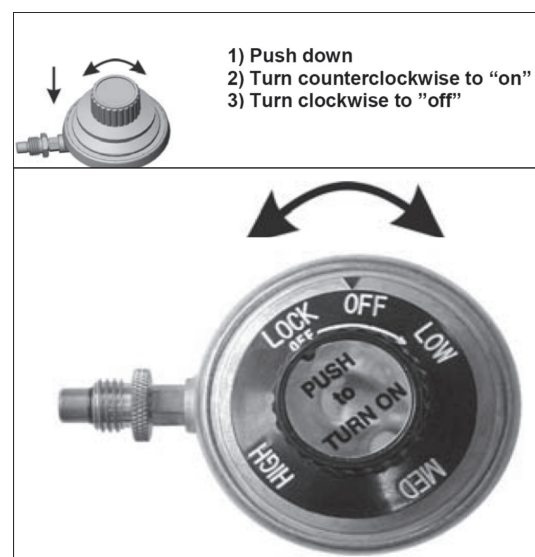
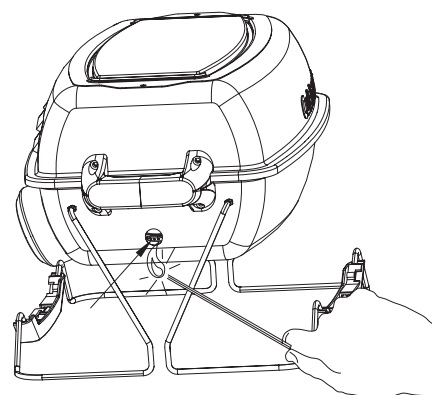
Confirm that the burner is properly lit and that the flame pattern is as desired. If the flame pattern is other than normal, consult the troubleshooting guide for corrective action.

FLARE-UPS:

"Flare-ups" sometimes occur when food drippings fall onto the hot heat plate or burner and ignite. Some flaring is normal and desirable as it helps impart the unique flavors associated with grilled foods. Controlling the intensity of the flare-ups is necessary, however, in order to avoid burned or unevenly cooked foods and to prevent the possibility of accidental fire.

WARNING!

Always monitor the grill closely when cooking and turn the flame level down (LOW) or OFF if flare-ups intensify.



SHUTTING OFF THE BURNER:

Always turn the valve knob clockwise all the way to the "LOCK OFF" position. Promptly disconnect the propane cylinder.

A sudden shut off of the gas flow typically occurs if you open the LP tank valve rapidly.

This procedure is effective with all LP tank sizes.

To ensure the procedure is performed safely and successfully, please carefully follow the instructions below.

1. Turn the regulator valve to the "LOCK OFF" position.
2. Disconnect the LP tank from the regulator valve.
3. Open the lid of the grill.

5.6 Match lighting

IMPORTANT!

A match lighting hole is located on the left side of the firebox.

MATCH LIGHTING INSTRUCTIONS:

1. Read all instructions before lighting.
2. Open lid during lighting.
3. Make sure the gas control knob is in "OFF" position.
4. Strike a long wooden match and position the burning match through the match lighting hole in the firebox bottom. Place the flame near the bottom edge of the burner.

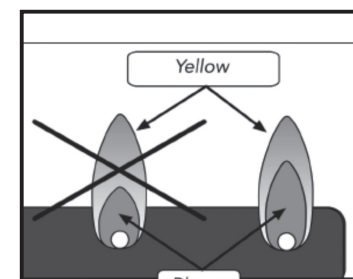
5.7 Using the Grill

Inspect the burner flame by looking through the match lighting holes.

A good flame should be blue with some yellow tips coming from the burner holes. Yellow tips on flames up to 1/4" height are acceptable as long as no carbon or soot deposits appear.

During operation, stand to side of grill when opening the grill lid.

Do not expose any part of your body directly above the cooking area.



The burner opening must be positioned properly over the valve orifices.

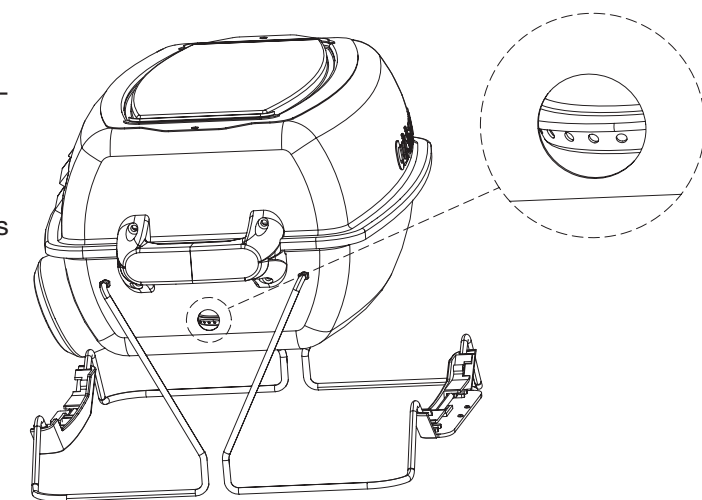
4. Turn regulator valve to HIGH.
5. Wait at least 5 minutes.
6. Turn the regulator valve to the "LOCK OFF" position.
7. Wait for at least five minutes.
8. Re-connect the LP tank to the regulator valve.
9. With the lid open, turn the regulator valve to the high position and light the grill.
10. Observe flame height when lit: Flame should be of a blue/yellow color between 1 to 2 inches high.
11. If the grill does not light, turn the regulator valve to the "LOCK OFF" position and disconnect the LP tank. Then contact the customer service center for further assistance.

5. Push down and turn the burner control knob counterclockwise to the high setting.

6. The burner should light. The flame will carry around the burner. Allow grill to pre-heat with the grill lid closed for 2-3 minutes before cooking.

CAUTION:

Do not touch any hot grill parts. The outside of the grill bottom especially becomes very hot during use. Use protective gloves to handle any parts that might become hot during use.



5. Operating Your Grill (cont.)

5.8 Using the Griddle

The non-stick griddle is intended to be used as both a lid cover during grilling and transport as well as a cooking surface. When the griddle is being used as a cooking surface, be sure it is always facing up as shown in Figure 1. When the griddle is being used as a lid cover or during transport and storage, be certain to turn the griddle upside down as shown in Figure 2.

Note: The grill should be placed on a flat, stable surface during use.

Use caution when cooking liquidy foods on the griddle. Uneven surface may cause foods to roll off or over flow from griddle. Take caution not to place too much food on griddle to avoid over flow.

The griddle may be used on the lid as a cooking surface when food is cooking on the grill grate. Note cooking times of certain foods may vary in this position depending on outdoor temperatures and weather conditions.

The griddle may be used directly on the grill grate for faster griddling when the grill grate is not being used for other foods.

Use non-abrasive grill tools when managing food on the griddle to avoid scraping non-stick surface.

CAUTION:

The griddle will get hot during use. Use heat resistant gloves to remove griddle during use.

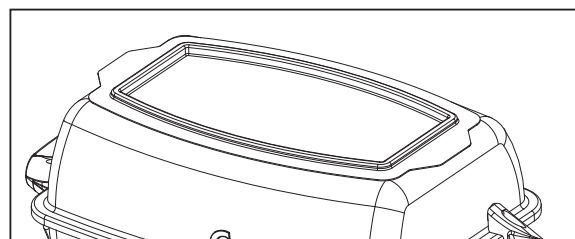


Figure 1

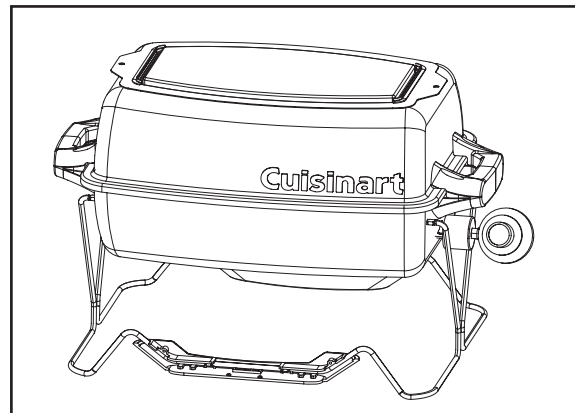


Figure 2

6. Care and Maintenance

6.1 Care

Regular care of your grill will help keep it operating properly. All maintenance should be done only when the grill is cool and with the fuel supply turned off. Occasionally inspect and tighten hardware that may become loose.

6.2 Cleaning The Venturi Tube

A spider's nest or wasp's mud inside the Venturi can block gas flow and can even cause a fire at the gas control valve. Such a fire can cause operator injury and serious damage to your grill.

To prevent insect related problems, inspect the Venturi tube screen cover regularly and remove any dirt.

WARNING!

Do not disassemble or alter the fuel supply system. Improper assembly can result in a hazardous condition. Seek qualified professional assistance if repairs are required.

6.3 Cleaning And Maintenance

WARNING!

Do not clean any grill surface while grill is operating.

Let grill cool to a safe temperature prior to cleaning.

- Disconnect the fuel supply and remove the fuel supply cylinder prior to cleaning.
- Cleaning should be done where detergent won't harm work surface or lawn.

EXTERIOR CLEANING

- Clean grill exterior surfaces with warm soapy water.

INTERIOR CLEANING

- Cooking grate can be cleaned with a grill brush. For best results, cooking grate should be warm (warm, not hot – never brush with grill operating, or when interior is very hot). If desired, cool cooking grate can be removed from grill and cleaned with warm soapy water.
- Should you wish to remove accumulated debris from the bottom of the fire box, proceed as follows:
 - Let grill cool completely
 - Remove cooking grate and set aside
 - Remove flame tamer and set aside. CAUTION! Flame tamer edges and surface are sharp – use care when handling
 - Carefully scrape and remove debris from bottom of firebox using care not to touch burner element, igniter, or igniter wire.

WARNING!

DO NOT APPLY ANY CLEANERS OR LIQUIDS TO BURNER ELEMENT OR ATTEMPT TO CLEAN IN ANY WAY.

- DO NOT USE WATER OR LIQUIDS TO CLEAN GRILL INTERIOR
- Replace flame tamer. CAUTION: DO NOT OPERATE GRILL WITHOUT FLAME TAMER IN PLACE.

Griddle

- The Griddle can be hand washed with soapy water. Do not place in dishwasher

7. Warranty

This warranty covers defects in parts and workmanship for a period of 12 months from the original purchase date.

The following conditions are NOT covered by this warranty:

- Damage caused by improper assembly or disregard of the manual.
- Use of spare parts not supplied by manufacturer.
- Damage resulting from modifications or inappropriate use.
- Abuse of the grill
- Damage caused by improper maintenance or repairs by an unauthorized person.

LIMITATIONS AND EXCLUSIONS:

1. This warranty applies only to the original purchaser and may not be transferred.
2. If you can not verify the purchase date of the grill the warranty period will begin on the date the grill was manufactured.
3. Replacement or repair parts are warranted for the remaining period of the original part warranty.

YOUR OBLIGATIONS:

This grill must be assembled, installed, operated and maintained in accordance with all applicable codes and the instruction manual furnished with this grill. You must keep an invoice, cancelled check or payment record to verify the purchase date of the grill.

For troubleshooting, FAQs or Customer Service, please visit us at www.cuisinartgrilling.com or contact us at 1-866-994-6390.

To order replacement grill parts or other Cuisinart Grilling products, please visit us at www.cuisinartgrilling.com or call 1-800-211-9604

**Model #CGG-080
North American Distributor:
The Fulham Group
Newton, MA. 02466**

