



**Important Safety Information • Read all safety information before operating the equipment. SAVE THESE INSTRUCTIONS**



**HAZARD: GENERAL**

May cause property damage or severe injury.

**PREVENTION:**

- ALWAYS disconnect the heat gun from the power supply when not in use. Store indoors in a dry place and out of the reach of children.
- Keep your work area well lit and clean.
- Do not overreach, especially when working on ladders. Keep proper footing and balance at all times. Be certain any ladders being used are sturdy, stable, on a firm surface, or on firm ground and erected at safe working angles.
- Avoid power lines.
- Keep moveable items secured and steady while scraping.
- Always use protective eyewear when working.
- Stay alert and use common sense when operating any tool.
- When using to thaw frozen pipes, always use the curved deflector (P/N 2366225). NEVER use to thaw pipes located inside walls or near combustibles.



**Some dust, peelings, residue, and vapors caused by paint removal activities contain chemicals known to the state of California to cause birth defects or other reproductive harm. An example of a chemical would be lead from lead-based paints (do not use a heat tool to remove lead-based paint). Your risk from exposure varies, depending on how often you do this type of work. To reduce your exposure to these chemicals: work in a ventilated area, and work with approved safety equipment, such as those dust masks that are specially designed to filter out microscopic particles.**

## Important Electrical Information

Use only an extension cord that will accept the plug on the product. Make sure your extension cord is in good condition. When using an extension cord, be sure to use one heavy enough to carry the current your product will draw. An undersized cord will cause a drop in line voltage resulting in loss of power and overheating. A SJT type cord is required. Cord shall be 14 AWG minimum for general indoor use.

This appliance has a polarized plug (one blade is wider than the other). To reduce the risk of electric shock, this plug is intended to fit in a polarized outlet only one way. If the plug does not fit fully in the outlet, reverse the plug. If it still does not fit, contact a qualified electrician. Do not modify the plug in any way. When servicing, only use identical service parts. Contact WAGNER for a replacement cordset.

## General Description

This heat gun is a quality power tool. Like any power tool, it can be dangerous when misused. Read the following instructions carefully and follow all safety precautions. It is the responsibility of the owner to use the heat gun properly. Only adults should use a heat gun.

## Specifications

Housing:.....Engineered high-impact corrosion and heat-resistant polymers  
 Wattage: ..... 1200 Watts on high, 550 Watts on low. Operates on 110-120 VAC  
 Heat Output: .....Approximately 1100°F on high, approximately 750°F on low  
 Weight:..... 1.46 pounds



**For more details on multiple projects and 'how to' videos please visit [www.wagnerspraytech.com](http://www.wagnerspraytech.com).**



## Using the Heat Gun



Always read the safety information included in this manual before using the heat gun.

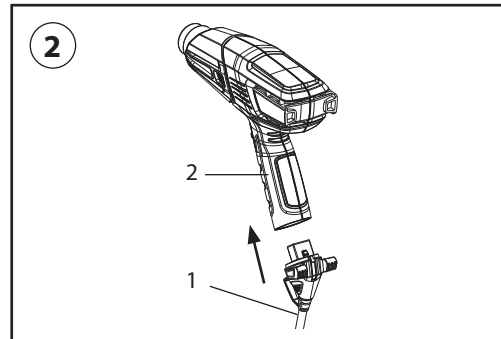
### Component Description (Fig. 1)

- 1) 2 speed switch  
(0 = OFF, 1 = LOW, 2 = HIGH)
- 2) Hanging hook
- 3) Handle stabilizers & cordset  
(Removable with tool)
- 4) Rear stabilizer fins (stand)
- 5) Heat shield



### Attaching the power cord (Fig. 2)

The power cord (Fig. 2, 1) for the heat gun is delivered detached from the gun (Fig. 2, 2). To attach, line up the cord by the forward facing groove with the socket on the handle of the gun and press together until you hear a click.



### Hands-free operation (Fig. 3)

The heat gun has an integrated stand for bench top applications and cool down mode.



### Startup

1. Plug the unit into a standard wall outlet.
2. Turn on the unit by moving the switch to the desired setting. The motor driven fan noise will indicate that the unit is running. The heating coil will glow.
3. Always disconnect heat gun from the power supply at completion of task.

**Note:** Smoke may appear during the initial start up due to the burning of manufacturing oils. The smoke should disappear in less than a minute.

## Heating Guidelines

The heat gun is one of the most versatile tools you can own. It can be used for a great variety of projects, from big DIY to small Art & Crafts jobs.

Use		Heat Setting	Nozzle Tip Options*
<b>DIY</b>	Stripping paint	HIGH	Concentrator or Flare
	Wall repair	LOW/HIGH	Open (no tip)
	Drying paint	LOW/HIGH	Open (no tip)
	Soften adhesives to remove floor tiles	LOW/HIGH	Flare
	Bend plastic, plexiglass, formica	LOW/HIGH	Open / Concentrator
	Removing formica and linoleum	LOW/HIGH	Flare
	Soften paint, caulking and putty for easier removing (use heat shield)	HIGH	Concentrator or Flare
	Shrink plastic film for wrapping or weatherproofing	LOW/HIGH	Flare
<b>Small jobs (including repair)</b>	Loosen rusted nuts, bolts and fittings	HIGH	Open / Concentrator
	Removing adhesives	LOW/HIGH	Open (no tip)
	Waxing skis/snowboard	LOW/HIGH	Flare
	Glass fiber work	LOW/HIGH	Concentrator or Flare
	Unfreezing pipes	LOW	Curved deflector
	Lighting a BBQ grill	HIGH	Concentrator / BBQ Nozzle
	Heat concrete prior to patching	LOW/HIGH	Concentrator
	Defrosting refrigerator / freezer	LOW/HIGH	Open (no tip)
<b>Arts &amp; Crafts</b>	Making candles	LOW	Open (no tip)
	Making soap	LOW	Open (no tip)
	Shrink wrapping presents	LOW	Open (no tip)
	Forming foam	LOW	Open (no tip)
	Cookie decoration	LOW/HIGH	Open (no tip)
<b>Automotive</b>	Removing stickers, emblems and decals	LOW/HIGH	Open (no tip)
	Removing dents	LOW/HIGH	Open (no tip)
	Removing paint	HIGH	Concentrator or Flare
	Applying and removing window tint	LOW/HIGH	Open (no tip)
	Restoring bumpers	LOW/HIGH	Open (no tip)
<b>Electronics</b>	Smartphone & tablet repair	LOW	Concentrator
	PlayStation and Xbox repair	LOW	Concentrator

\*Nozzle tips may not be included with your heat gun. See Accessories page 8.

**IMPORTANT: If the blower motor in the heat gun does not turn on when the switch is set to either LOW or HIGH, turn the switch OFF immediately. The heating element will burn out if it is not cooled by the blower.**