

Step 5: Assembly is complete.

Loading Capacity (each rail): 66 lbs. / 29.9 kg

Loading Capacity (on shelf): 13 lbs. / 5.9 kg

DOUBLE RAIL GARMENT RACK

Model No. WEB395

ASSEMBLY INSTRUCTIONS



Customer Service

Tel 1.800.323.5565

Fax 1.310.533.3899

Monday through Friday 9:00 am - 5:00 pm (Pacific Time)


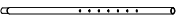
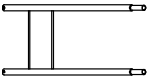


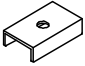
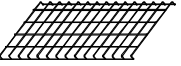








Seville Classics, Inc.
Torrance, CA 90501 USA
www.sevilleclassics.com
©2016 Seville Classics, Inc.



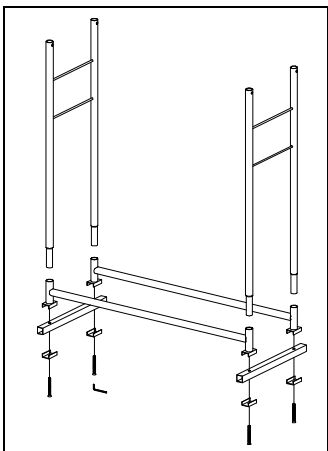
TF161114

Please make sure you have all the parts before assembly.

A	2 pcs	B	4 pcs	C	2 pcs	D	2 pcs
Hanging Rail		Upper Side Support		Lower Side Support		Bottom Tube	
							
E	2 pcs	F	4 pcs	G	1 pcs	H	4 pcs
Leg Tube		Steel Clip		Net		End Cap	
							
I	4 pcs	J	4 pcs	K	4 pcs	L	4 pcs
Castor (2 with break, 2 without break)		Lock		30mm Screw		70mm Screw	
							
M	1 pcs						
Allen Key							
							

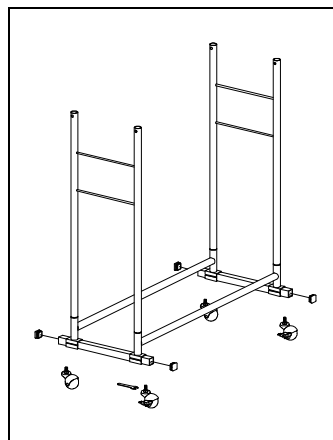
Step 1: Fitting the base

Using **Screw (L)** to connect **Steel clip (F)**, **Leg tube (E)**, **Bottom tube (D)** and **Lower side support (C)**; then tighten by **Allen key (M)**.



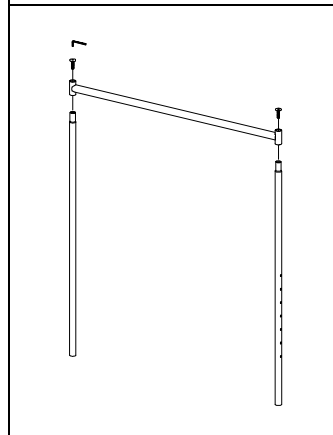
Step 2: Fitting the leg section

Put **End cap (H)** into **Leg tube (E)**, and insert **Castor (I)** into **Leg tube (E)**.



Step 3: Fitting the hanging rail and upper side support

Using **Screw (K)** to connect **Hanging rail (A)** with **Upper side support (B)**; then tighten by **Allen key (M)**.



Step 4: Finishing the product

Install **Lock (J)** onto **Lower side support (C)**. Insert **upper side support (B)** into **Lower side support (C)** by passing through the **Lock (J)**.

Put **Net (G)** on **Bottom tube (D)**.

