

ezGuard 1080p

1080p Indoor/Outdoor Wi-Fi Bullet Camera



Introduction

ezGuard 1080p combines a Full HD camera, built-in recording, a siren, and bright strobe light for a one-stop smart home security solution. With a modern look and compact design, the all-weather ezGuard 1080p provides security and active protection indoors or outdoors.

Main Features



Active Defense with siren and strobe light



IR distance up to 100ft



Strong and stable Wi-Fi signal with two external antennas



High-decibel speakers



Two-way audio
Audio pickup up to 15ft



Full HD 1080p video with High Dynamic Range

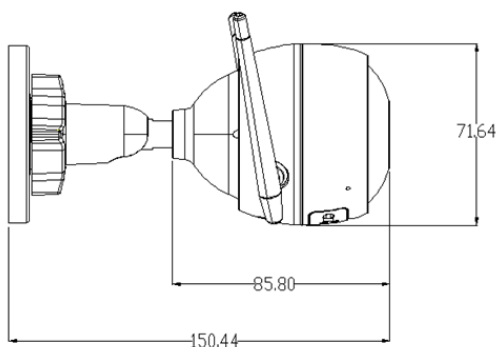


Support Micro SD card slot, up to 128GB



Dustproof and Waterproof IP66

Dimension (mm)



Specifications

Model	CS-CV310-A0-1B2WFR
Camera	
Image sensor	1/2.7" Progressive Scan CMOS
Minimum illumination	0.02 lux @(F2.0,AGC ON) ,0 Lux with IR
Shutter Speed	Self-adaptive shutter
Lens	2.8mm@ F2.2, Horizontal angle: 103° Diagonal angle: 118°
Lens Mount	M12
Day & Night	IR cut filter
DNR	3D DNR
WDR	Digital WDR
Compression	
Video Compression	H.264
H.264 Type	Main Profile
Video Bit Rate	HD; balance; and fluency. Adaptive bit rate.
Image	
Max. Resolution	1920 × 1080, support dual-stream
Frame Rate	50Hz @ 25fps, 60Hz @ 30fps; adaptive frame rate of network transmission
Image setting	Brightness, contrast, saturation, etc. (Configure via EZVIZ Studio)
BLC	Support
Network	
Smart Alarm	Intelligent motion detection
One-key configuration	Smart Config (Wi-Fi One Push Configuration)
Protocol	EZVIZ Cloud Proprietary Protocol
Interface Protocol	EZVIZ Cloud Proprietary Protocol
General Function	Flicker filter, dual-stream, heart beat, mirror image, password protection, watermark
Interface	
Storage	Support Micro SD card (Max. 128GB)
Wired network	1 RJ45 Ethernet Port, adaptive rate of 10/100Mbps
Wi-Fi	
Standard	IEEE802.11 b/g/n
Frequency Range	2.4GHz ~ 2.4835 GHz
Channel Bandwidth	Support 20MHz
Security	64/128-bit WEP, WPA/WPA2, WPA-PSK/WPA2-PSK, WPS
Transmission Rate	11b: 11Mbps,11g :54Mbps,11n :135Mbps
General	
Operating Conditions	-22°F ~ 140°F (-30°C ~ 60°C), humidity 95% or less (non-condensing)
Power Supply	DC 12V±10%
Power Consumption	Max. 6W
IP Grade	IP66
IR Range	Max. 100ft
Dimensions	5.92" x 3.78" x 2.82" (150.44mm x 85.80mm x 71.64mm)
Weight (g)	0.72 lb (326 g)