



**Count on it.**

**Operator's Manual**

**42in and 50in Twin Bagger  
for TimeCutter® Z4000 and Z5000 Series  
Riding Mower**

**Model No. 79324—Serial No. 280000001 and Up**

# Introduction

Read this information carefully to learn how to operate and maintain your product properly and to avoid injury and product damage. You are responsible for operating the product properly and safely.

You may contact Toro directly at [www.Toro.com](http://www.Toro.com) for product and accessory information, help finding a dealer, or to register your product.

Whenever you need service, genuine Toro parts, or additional information, contact an Authorized Service Dealer or Toro Customer Service and have the model and serial numbers of your product ready. Figure 1 identifies the location of the model and serial numbers on the product. Write the numbers in the space provided.

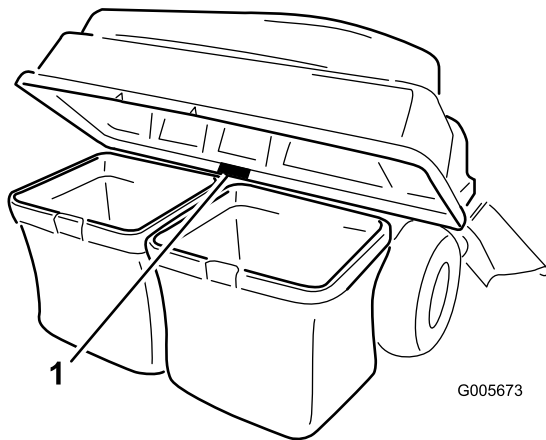


Figure 1

1. Model and serial number location

Model No. _____
Serial No. _____

This manual identifies potential hazards and has safety messages identified by the safety alert symbol (Figure 2), which signals a hazard that may cause serious injury or death if you do not follow the recommended precautions.



Figure 2

1. Safety alert symbol

This manual uses 2 other words to highlight information. **Important** calls attention to special mechanical information and **Note** emphasizes general information worthy of special attention.

# Contents

Introduction.....	2
Safety .....	3
Safety and Instructional Decals .....	3
Setup.....	4
1 Installing the Weight .....	5
2 Installing the Bagger Frame.....	6
3 Assembling the Bagger Top.....	6
4 Installing the Bagger Top .....	7
5 Installing the Chute On 42 Inch Decks.....	8
6 Installing the Chute on 50 inch Decks .....	10
7 Installing the Discharge Tube .....	11
Operation.....	12
Emptying the Grass Bags.....	12
Clearing Obstructions from the Bagger.....	12
Removing the Bagger .....	13
Operating Tips .....	13
Maintenance.....	15
Recommended Maintenance Schedule(s) .....	15
Inspecting the Bagger Attachment .....	15
Inspecting the Mower Blades .....	16
Caring for the Grass Bags .....	16
Cleaning the Bagger Attachment.....	16
Storage.....	16
Storing the Bagger Attachment.....	16

# Safety



Engines can become hot when they are operating. Severe burns can occur from contacting hot surfaces.

Allow engines, especially the muffler, to cool before touching.



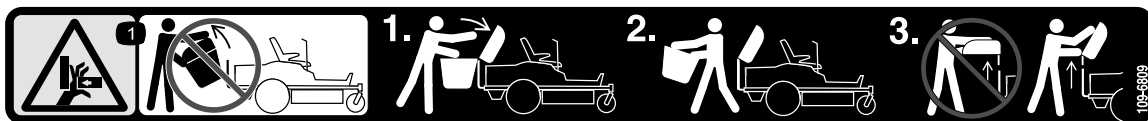
Debris, such as leaves, grass, or brush can catch fire. A fire in the engine area can cause personal injury and property damage.

- Keep the engine and muffler area free of debris accumulation.
- Take care when opening the bagger cover to keep debris from falling onto the engine and muffler area.
- Allow the machine to cool before storing it.

## Safety and Instructional Decals



Safety decals and instructions are easily visible to the operator and are located near any area of potential danger. Replace any decal that is damaged or lost.



109-6809

1. Crushing hazard of hand—do not remove the whole bagger from the machine; open the bagger top and then remove the bag(s) from the bagger. Do not remove the bagger top when it is closed; open the bagger top and then remove it.



110-6691

1. Thrown object hazard—keep bystanders a safe distance from the machine.
2. Thrown object hazard, mower—do not operate the without deflector or grass collection system in place.
3. Cutting/dismemberment of hand or foot—stay away from moving parts.

# Setup

## Loose Parts

Use the chart below to verify that all parts have been shipped.

Procedure	Description	Qty.	Use
<b>1</b>	Weight	2	Install the weight.
	U-pin	2	
	Clevis pin	2	
	Washer	6	
	Hair pin	6	
<b>2</b>	Bagger Quick Attach Bracket	1	Install the bagger frame.
	Clevis pin (5/16 x 2-1/4 inch)	1	
	Hair pin	3	
	Rod	2	
	Washer	2	
<b>3</b>	Bagger top	1	Assemble the bagger top.
	Bagger screen	1	
<b>4</b>	Bagger	1	Install the bagger top.
	Grass Bag	2	
<b>5</b>	Baffle cutoff	1	Install the chute on 42 inch decks only.
	Chute for 42 inch decks	1	
<b>6</b>	Baffle cutoff	1	Install the chute and discharge tube.
	Clip assembly (50 in decks only)	1	
	Lock nut (5/16 inch)	2	
	Chute for 50 inch decks	1	
<b>7</b>	Discharge tube	1	Install the discharge tube.

# 1

## Installing the Weight

### Parts needed for this procedure:

2	Weight
2	U-pin
2	Clevis pin
6	Washer
6	Hair pin

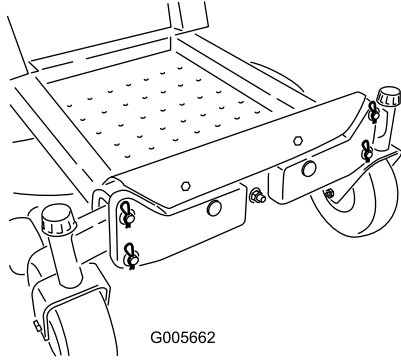
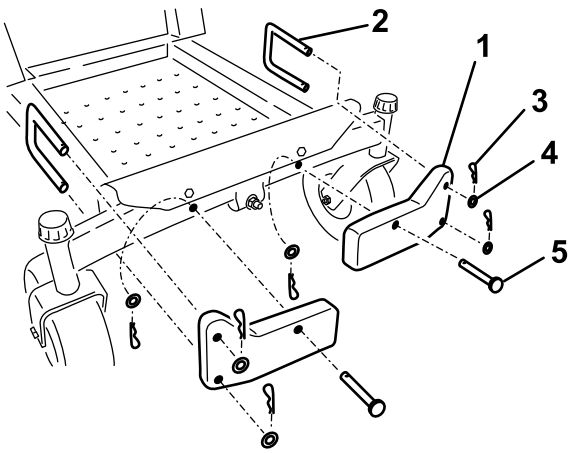
### Procedure



The bagger changes the weight distribution of the machine. Operating the machine without the front weights may cause an unstable condition which could result in a loss of control.

Ensure the front weights are properly installed before operating the machine with the bagger attachment.

Attach the weights to the front of the machine frame with two U-pins, two clevis pins, six washers (.531 x 1.063), and six hair pins as shown in Figure 3.



G005662

Figure 3

- 1. Front weight
- 2. U-pin
- 3. Hair pin
- 4. Washer
- 5. Clevis pin

**Important:** When you remove the twin bagger, remember to remove the front weights.

# 2

## Installing the Bagger Frame

### Parts needed for this procedure:

1	Bagger Quick Attach Bracket
1	Clevis pin (5/16 x 2-1/4 inch)
3	Hair pin
2	Rod
2	Washer

### Procedure

1. At the back of the machine, install the bagger frame to the square slot in the frame.
2. Secure the bagger frame with a clevis pin (5/16 x 2-1/4 inch) and hair pin (Figure 4).

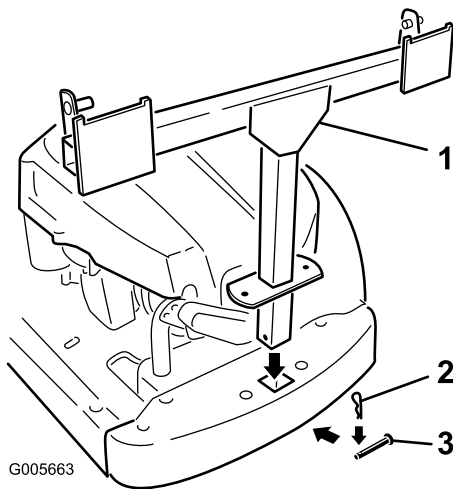


Figure 4

- |                 |                                   |
|-----------------|-----------------------------------|
| 1. Bagger frame | 3. Clevis pin (5/16 x 2-1/4 inch) |
| 2. Hair pin     |                                   |

3. Install two rods, one to each side of the bagger frame. Locate the existing slotted bracket between the rear drive wheel and frame. Start the flared end of the rod into the opening in the slot and slide the rod rearward (Figure 4).

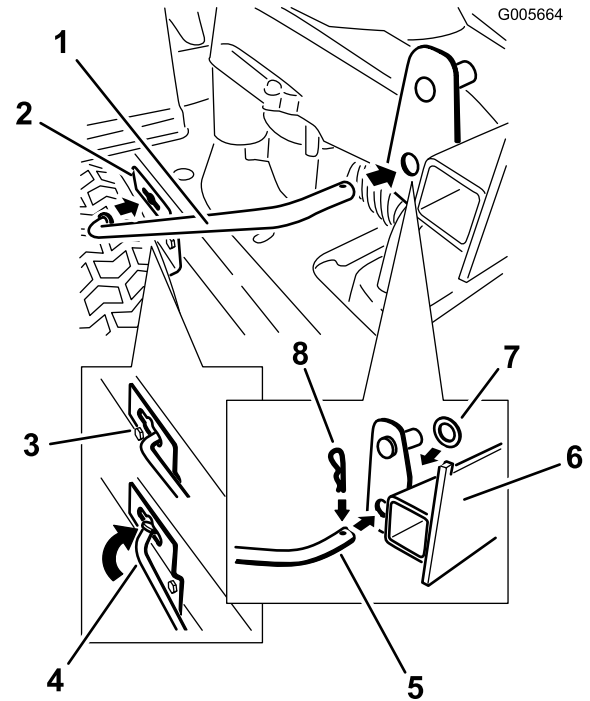


Figure 5

- |                      |                    |
|----------------------|--------------------|
| 1. Rod               | 5. Bent end of rod |
| 2. Slotted bracket   | 6. Bagger frame    |
| 3. Opening in slot   | 7. Washer          |
| 4. Flared end of rod | 8. Hair pin        |

4. Insert the bent ends of the rod into the bagger frame as shown in Figure 4. Secure the both ends of the rods with hair pins.

# 3

## Assembling the Bagger Top

### Parts needed for this procedure:

1	Bagger top
1	Bagger screen

### Procedure

Turn the bagger top over. Install the screen as shown in Figure 6 so it slopes down toward the collection bags. Make sure the screens snap into place and the tabs engage the bagger top.

# 4

## Installing the Bagger Top

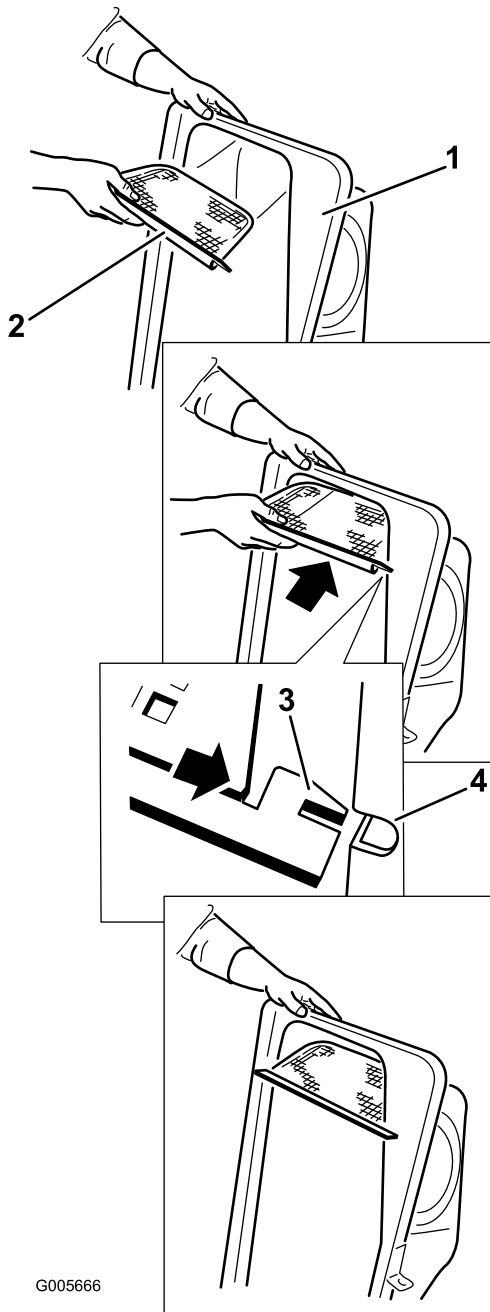
### Parts needed for this procedure:

1	Bagger
2	Grass Bag

### Procedure

1. Install the bagger top to the bagger frame. Rotate the bagger top to align the key holes in the bagger top brackets with the keys in the posts on the bagger frame (Figure 7). Slide the brackets over the posts and rotate the bagger top down to the operating position.

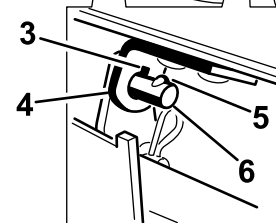
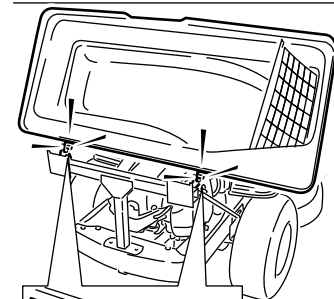
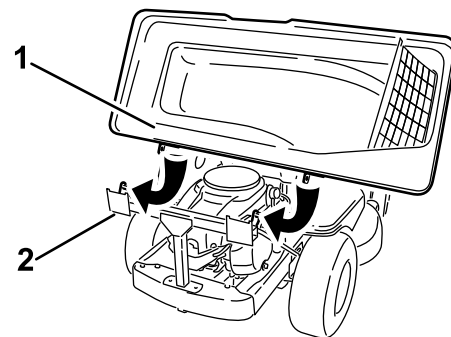
**Note:** The bagger top is easier to install if two people work together.



G005666

**Figure 6**

- |               |                       |
|---------------|-----------------------|
| 1. Bagger top | 3. Screen tab         |
| 2. Screen     | 4. Slot in bagger top |

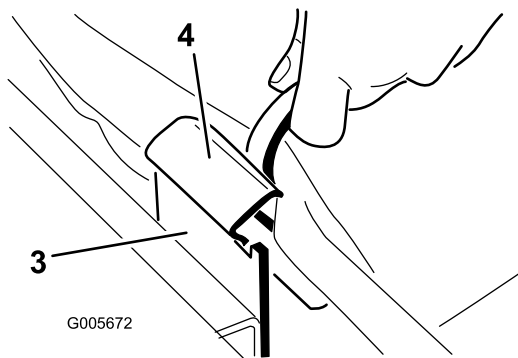
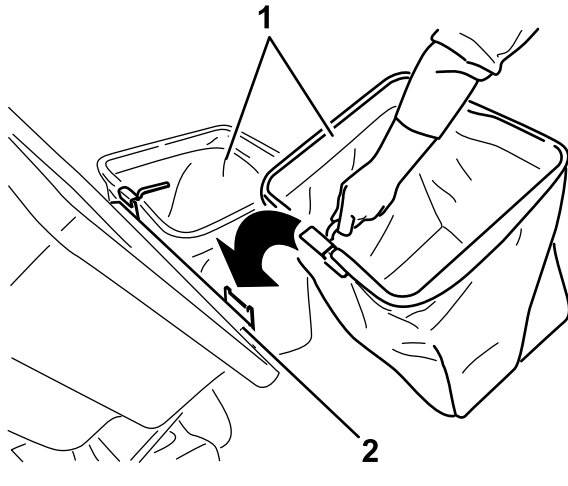


G005665

**Figure 7**

- |                 |                        |
|-----------------|------------------------|
| 1. Bagger top   | 4. Bracket, bagger top |
| 2. Bagger frame | 5. Key                 |
| 3. Key hole     | 6. Post                |

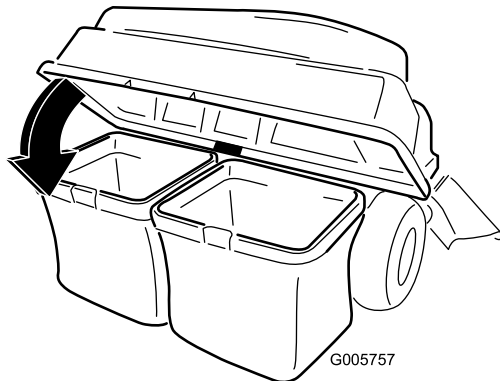
- Lift the bagger top and install the bags by sliding the bag frame hooks onto the retaining brackets (Figure 8).



**Figure 8**

- |                 |                      |
|-----------------|----------------------|
| 1. Bag          | 3. Retaining bracket |
| 2. Bagger frame | 4. Bag frame hook    |

- Lower the bagger top onto the bag (Figure 9).



**Figure 9**

# 5

## Installing the Chute On 42 Inch Decks

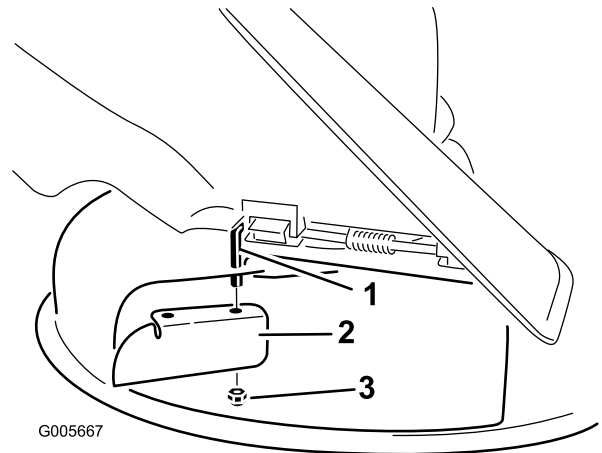
### Parts needed for this procedure:

1	Baffle cutoff
1	Chute for 42 inch decks

### Procedure

Use this procedure when installing the Twin Bagger Kit on machines with 42 inch decks. To install the Twin Bagger Kit on machines with 50 inch decks proceed to the next setup procedure.

- Lift up the grass deflector and locate the lock nut on the deflector pivot rod. Remove the existing thin nut (3/8 inch).
- Install the cutoff baffle to the exposed pivot rod (Figure 10). Use the existing thin nut (3/8 inch) to secure the baffle to the mower.



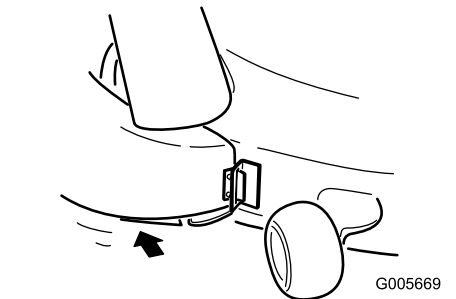
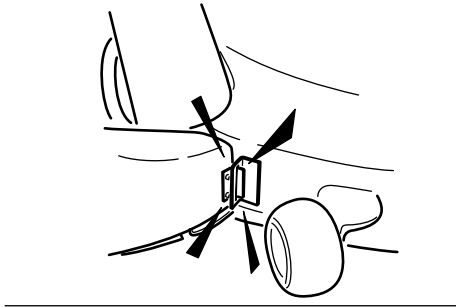
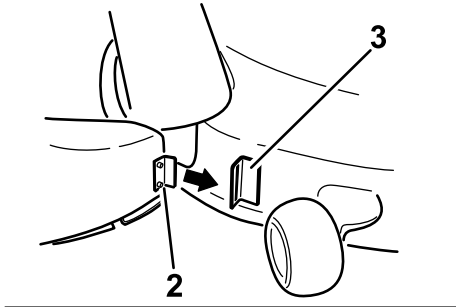
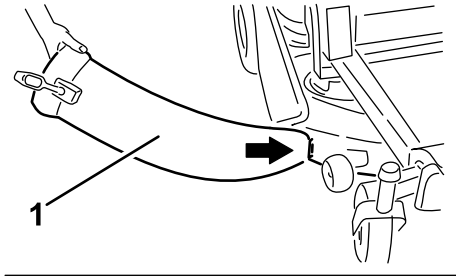
**Figure 10**  
42 Inch Deck

- |                        |                        |
|------------------------|------------------------|
| 1. Deflector pivot rod | 3. Thin nut (3/8 inch) |
| 2. Cutoff baffle       |                        |

- Torque the fastener to 14-18 ft-lb (7-9 N-m).



4. Angle the metal tab at the front of the chute into the slot in the bracket welded to the mower deck just in front of the cutoff (Figure 11).



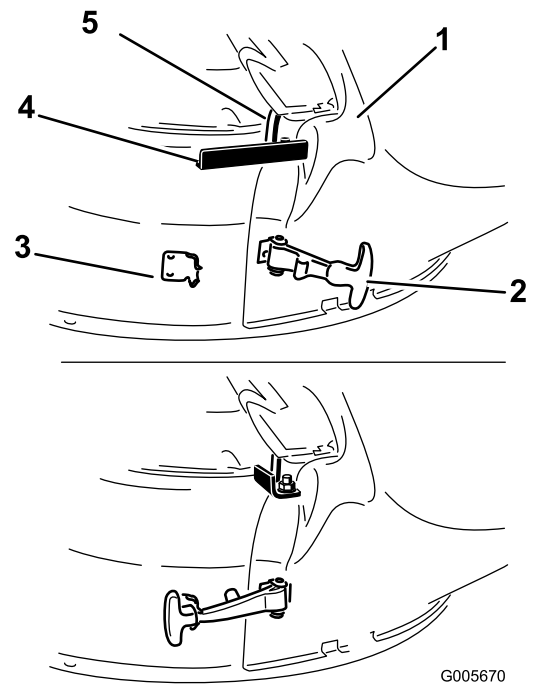
**Figure 11**

- |                |                    |
|----------------|--------------------|
| 1. Chute       | 4. Deflector rod   |
| 2. Locking pin | 5. Flexible latch  |
| 3. Rear hook   | 6. Notched bracket |

5. Pivot the chute back and toward the deck so chute is flush with the mower deck (Figure 11).

**Note:** Make sure the retaining hook on the 42 inch chute is out of the way so the chute opening mounts flush to the deck.

6. Secure the chute to the 42 inch deck. Hook the flexible latch on the chute to the retaining clasp welded on the mower deck to the rear of the opening (Figure 12). Fasten the retaining hook around the pivot rod to secure the chute into position.



**Figure 12**

- |                        |                   |
|------------------------|-------------------|
| 1. Chute 42 inch decks | 4. Retaining hook |
| 2. Flexible latch      | 5. Pivot rod      |
| 3. Retaining clasp     |                   |

# 6

## Installing the Chute on 50 inch Decks

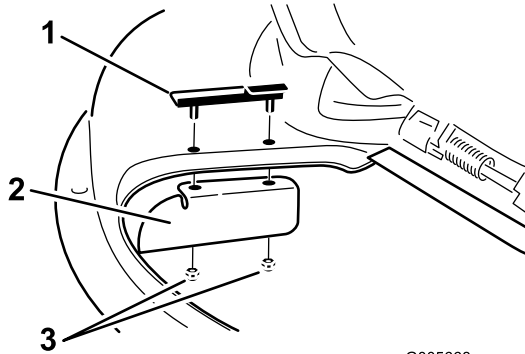
### Parts needed for this procedure:

1	Baffle cutoff
1	Clip assembly (50 in decks only)
2	Lock nut (5/16 inch)
1	Chute for 50 inch decks

### Procedure

Use this procedure when installing the Twin Bagger Kit on machines with 50 inch decks.

1. Lift up the grass deflector. Install the clip assembly to the two holes along the deck cutout.
2. Install the cutoff baffle to the clip assembly posts. Figure 13. Use the two lock nuts (5/16 inch) to secure the baffle to the mower.

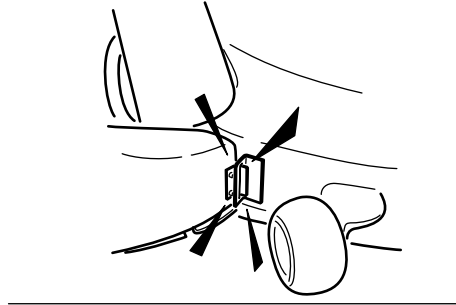
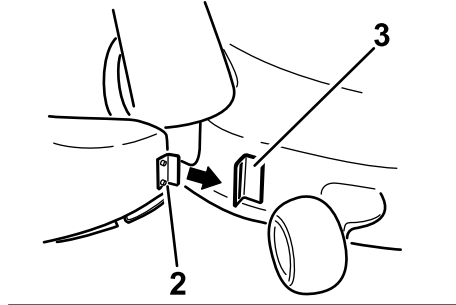
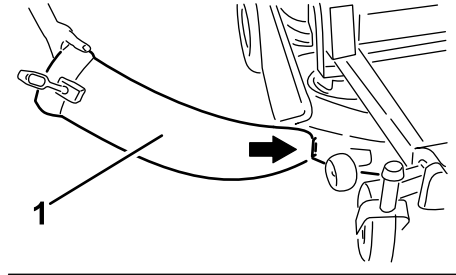


**Figure 13**  
50 Inch Deck

1. Clip assembly
2. Cutoff baffle
3. Lock nut (5/16 inch)

3. Torque the fastener to 14-18 ft-lb (7-9 N-m).

4. Angle the metal tab at the front of the chute into the slot in the bracket welded to the mower deck just in front of the cutout (Figure 14).



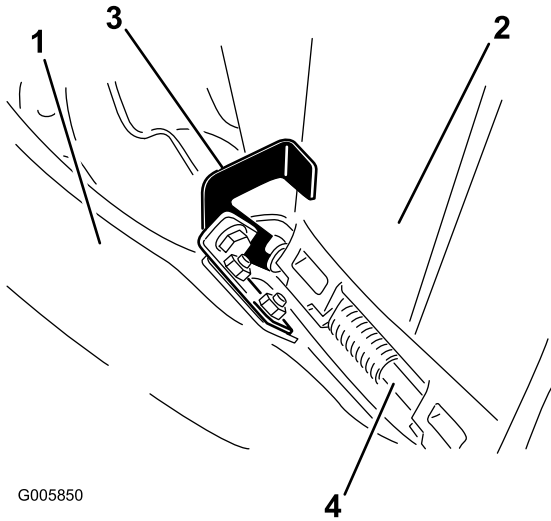
**Figure 14**

1. Chute
2. Metal tab
3. Welded bracket

5. Pivot the chute back and toward the deck so chute is flush with the mower deck (Figure 14).

**Note:** As the chute mates with the deck, make sure the edge of the 50 inch chute is under the lip of the clip assembly installed previously.

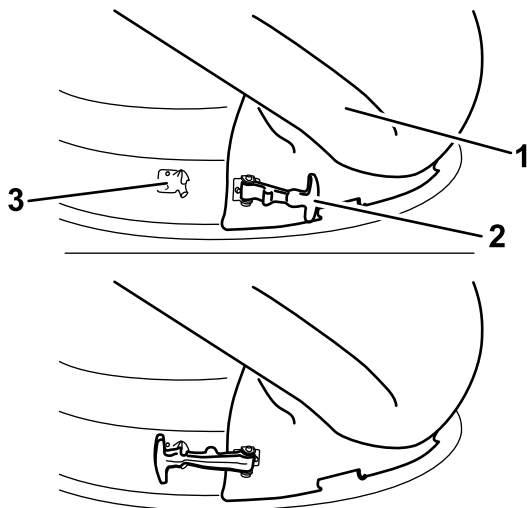
- On the top of the chute, engage the hook shaped latch around pivot rod of the deflector assembly as shown in Figure 15.



**Figure 15**

- |                  |                |
|------------------|----------------|
| 1. 50 inch chute | 3. Latch, hook |
| 2. Deflector     | 4. Pivot rod   |

- Secure the chute to the 50 inch deck. Hook the flexible latch on the chute to the retaining clasp welded on the mower deck to the rear of the opening (Figure 16).



**Figure 16**

- |                        |                    |
|------------------------|--------------------|
| 1. Chute 50 inch decks | 3. Retaining clasp |
| 2. Flexible latch      |                    |

# 7

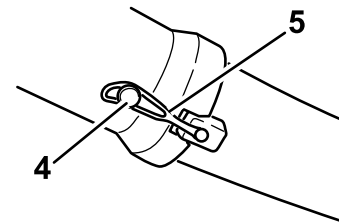
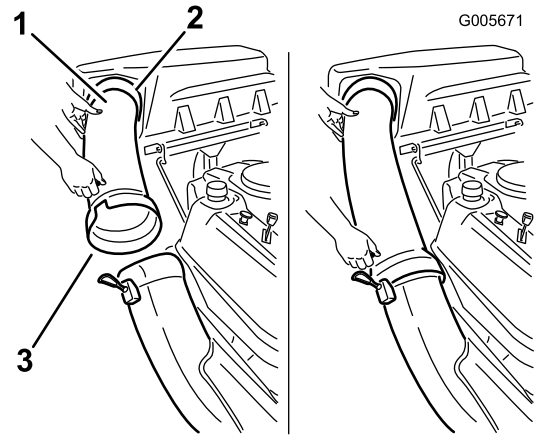
## Installing the Discharge Tube

### Parts needed for this procedure:

1	Discharge tube
---	----------------

### Procedure

- Slide the curved end of the discharge tube into the opening in the bagger top (Figure 17).



**Figure 17**

- |                               |                 |
|-------------------------------|-----------------|
| 1. Discharge tube, curved end | 4. Peg          |
| 2. Opening in bagger top      | 5. Rubber strap |
| 3. Discharge tube, flared end |                 |

- Slide the flared end of the discharge tube over the end of the chute. Move the rubber retaining strap on the chute snaps over the peg on the discharge tube to secure it (Figure 17).

# Operation

**Note:** Determine the left and right sides of the machine from the normal operating position.



To avoid personal injury, follow these procedures:

- Become familiar with all operating and safety instructions in the *Operator's Manual* for the mower before using this attachment.
- Never remove the discharge tube, bags, bagger top, or the chute while the engine is running.
- Always shut the engine off and wait for all moving parts to stop before clearing an obstruction from the bagging system.
- Never do maintenance or repairs while the engine is running.

## Emptying the Grass Bags

Be careful when lifting or handling a grass bag that is full. To empty the grass bags:

1. Park the machine on a level surface and disengage the blade control switch.
2. Move the motion control levers outward to the park position, stop the engine, remove the key, and wait for all moving parts to stop before leaving the operating position.
3. Open (raise) the bagger top (Figure 18).

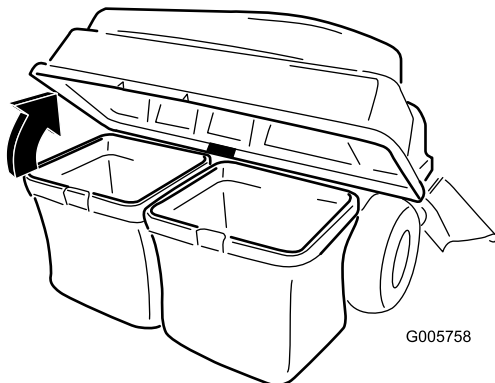


Figure 18

4. Compress debris into the bags. With both hands, lift up on the bag and unhook it from the retaining bracket. Empty the bag. Repeat the procedure for the other bag.

5. Install the bags by sliding the bag frame hooks onto the retaining brackets (Figure 19).

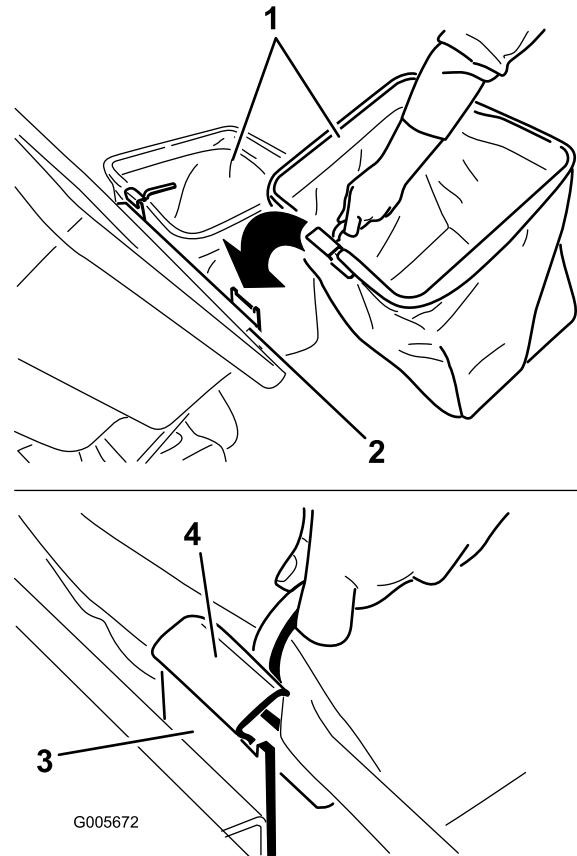


Figure 19

- |                 |                      |
|-----------------|----------------------|
| 1. Bag          | 3. Retaining bracket |
| 2. Bagger frame | 4. Bag frame hook    |

6. Lower the bagger top onto the bags.

## Clearing Obstructions from the Bagger

1. Park the machine on a level surface and disengage the blade control switch.
2. Move the motion control levers outward to the park position, stop the engine, remove the key, and wait for all moving parts to stop before leaving the operating position.
3. Check the grass bags and empty them if they are full.
4. Remove and separate the discharge tube and chute from the bagger top and mower. Using a stick or similar object, carefully remove and clear the obstruction from the mower, discharge tube, chute, and the bagger top.
5. After you remove the obstruction, install the complete bagger system and resume operation.

# Removing the Bagger



**Failing to remove the front bagger weights and operating the machine without the bagger attachment may cause an unstable condition which could result in a loss of control.**

- **Always remove the front weights when removing the bagger attachment.**
- **Never operate the machine without the bagger attachment and the front weights still installed.**

The bagger can be removed by repeating the Setup section in reverse order. Always remove the front bagger weights when removing the bagger attachments.

**Note:** It is only necessary to remove the cutoff baffle when installing a mulching kit.

## Operating Tips

### Tips for Bagging

#### Size

Remember that the mower is longer and wider with this attachment installed. By turning too sharply in confined places you may damage the attachment.

#### Trimming

Always trim with the left side of the mower. Do not trim with the right side of the mower because you could damage the bagger's chute and discharge tube.

#### Cutting Height

Do not set the mower cutting height too low because long grass surrounding the mower can prevent air from getting under the mower and entering the bagging system. If enough air doesn't get under the mower, the bagging system will plug.

#### Cutting Frequency

Cut the grass often, especially when it grows rapidly. You will have to cut your grass twice if it gets excessively long.

#### Cutting Technique

For best lawn appearance, be sure to slightly overlap the mower into the previously cut area. This helps

reduce the load on the engine and reduces the chance of plugging the chute and discharge tube.

## Bagging Speed

Most often you will bag with the mower throttle in the Fast position and drive at a normal ground speed. However, in extremely dry and dusty grass, you may want to slightly reduce the throttle speed and increase the ground speed of the mower. The bagging system may plug if you drive too fast and the engine speed gets too slow. On hills it may be necessary to slow the mower ground speed. This helps maintain the engine speed and bagging efficiency. Mow downhill whenever possible.



**As the bagger fills, extra weight is added to the back of the machine. If you stop and start suddenly on hills, you may lose steering control or the machine may tip.**

- **Do not start or stop suddenly when going uphill or downhill. Avoid uphill starts.**
- **If you do stop the machine when going uphill, disengage the blade control. Then back down the hill using a slow speed.**
- **Do not change speeds or stop on slopes.**
- **Never operate the machine without the bagger attachment and the front weights still installed.**

## Bagging Long Grass

Bagging Long Grass Excessively long grass is heavy and may not be propelled completely into the grass bags. If this happens, the discharge tube and chute may plug. To avoid plugging the bagging system, mow the grass at a high height of cut, then lower the mower to your normal cutting height and repeat the bagging process.

## Bagging Wet Grass

Always try to cut grass when it is dry because your lawn will have a neat appearance. If you must cut wet grass, use the conventional side discharge feature of the mower. Several hours later, when the clippings are dry, install the complete bagger attachment and vacuum up the grass clippings.

## **Signs of Plugging**

As you are bagging, a small amount of grass clippings normally blow out the front of the mower. An excessive amount of clippings blowing out indicates that the bags are full or the system is plugged.

# Maintenance

**Note:** Determine the left and right sides of the machine from the normal operating position.

## Recommended Maintenance Schedule(s)

Maintenance Service Interval	Maintenance Procedure
After the first 10 hours	<ul style="list-style-type: none"><li>• Inspect the bagger</li></ul>
Before each use or daily	<ul style="list-style-type: none"><li>• Clean the bagger</li></ul>
Before storage	<ul style="list-style-type: none"><li>• Inspect the bagger</li><li>• Clean the bagger</li></ul>



If you leave the key in the ignition switch, someone could accidentally start the engine and seriously injure you or other bystanders.

Remove the key from the ignition and disconnect the wire from the spark plug before you do any maintenance. Set the wire aside so that it does not accidentally contact the spark plug.



Engines can become hot when they are operating. Severe burns can occur from contacting hot surfaces.

Allow engines, especially the muffler, to cool before touching.



Debris, such as leaves, grass, or brush can catch fire. A fire in the engine area can cause personal injury and property damage.

- Keep the engine and muffler area free of debris accumulation.
- Take care when opening the bagger cover to keep debris from falling onto the engine and muffler area.
- Allow the machine to cool before storing it.

## Inspecting the Bagger Attachment

**Service Interval:** After the first 10 hours  
Before storage

Inspect the bagger attachment after the first 10 hours of operation, and monthly thereafter.

1. Check the chute, discharge tube, and the bagger top. Replace these parts if they are cracked or broken.
2. Tighten all nuts, bolts, and screws.

3. Inspect all fasteners and latches; replace any missing or damaged.
4. Inspect the grass bags for deterioration.



You or bystanders could be severely injured by flying debris or thrown objects that may pass through torn, worn, or deteriorated grass bags.

- Frequently check the grass bags for holes, rips, wear, and other deterioration.
- Do not wash the grass bags.
- If the bag has deteriorated, install new grass bags supplied by the manufacturer of this bagger attachment.

## Inspecting the Mower Blades

Inspect the mower blades regularly and whenever a blade strikes a foreign object.

If the blades are badly worn or damaged, install new blades. Refer to your mower or mower *Operator's Manual* for complete blade maintenance.

## Caring for the Grass Bags

Washing the grass bags is not recommended.

To prevent rapid deterioration of the bag material, store the bags where they will dry completely after each use.

## Cleaning the Bagger Attachment

**Service Interval:** Before each use or daily

Before storage

1. After each use, remove and wash the inside and outside of the bagger top, discharge tube, chute, and the underside of the mower, using water sprayed from a garden hose. Use a mild automotive detergent to remove stubborn dirt.
2. Make sure you remove matted grass from all parts.
3. After washing, let all of the parts dry thoroughly. Do not wash the grass bags.

# Storage

## Storing the Bagger Attachment

1. Clean the bagger attachment; refer to Cleaning the Bagger Attachment.
2. Inspect the bagger attachment for damage; refer to Inspecting the Bagger Attachment.
3. Make sure the grass bags are empty and thoroughly dry.
4. Store the bagger in a clean, dry place, out of direct sunlight. This protects the plastic parts and extends the life of the bagger. If you must store the bagger outside, cover it with a weatherproof cover.



**Notes:**

**Notes:**

**Notes:**



TITAN Z and  
TimeCutter  
Z Mowers

## The Toro Total Coverage Guarantee

A Three-Year Limited Warranty (Limited Warranty for Commercial Use)

### Conditions and Products Covered

The Toro Company and its affiliate, Toro Warranty Company, pursuant to an agreement between them, jointly promise to repair any Toro Product used for normal residential purposes\* if defective in materials or workmanship. The following time periods apply from the date of purchase:

Products	Warranty Period
TITAN Z Mowers and Attachments TimeCutter Z Mowers and Attachments	3 year limited warranty
All Batteries	1 year limited warranty

This warranty includes the cost of parts and labor, but you must pay the cost of transportation to and from the servicing dealer. This warranty applies to consumer TITAN Z and TimeCutter Z mowers and attachments.

\* Normal residential purposes means use of the product on the same lot as your home. Use at more than one location is considered commercial use, and the commercial use warranty would apply.

### Limited Warranty for Commercial Use

Toro Consumer Products and attachments used for commercial, institutional, or rental use are warranted against defects in materials or workmanship for the following time periods from the date of purchase:

Products	Warranty Period
Air Cooled Gas Engines	90 day limited warranty
All other items	30 day limited warranty

### Instructions for Obtaining Warranty Service

If you think that your Toro Product contains a defect in materials or workmanship, follow this procedure:

1. Contact any Toro Authorized or Master Service Dealer to arrange service at their dealership. To locate a dealer convenient to you, refer to the Yellow Pages of your telephone directory (look under "Lawn Mowers") or access our web site at [www.Toro.com](http://www.Toro.com). U.S. Customers may also call toll free: 866-854-9035 to use our 24-hour Toro dealer locator system.
2. Bring the product and your proof of purchase (sales receipt) to the Service Dealer.

If for any reason you are dissatisfied with the Service Dealer's analysis or with the assistance provided, contact us at:

Customer Care Department, Consumer Division  
Toro Warranty Company  
8111 Lyndale Avenue South  
Bloomington, MN 55420-1196  
Toll Free: 866-216-6029 (U.S. customers)  
Toll Free: 866-216-6030 (Canada customers)

### Owner Responsibilities

You must maintain your Toro Product by following the maintenance procedures described in the *Operator's Manual*. Such routine maintenance, whether performed by a dealer or by you, is at your expense.

### Items and Conditions Not Covered

There is no other express warranty except for special emission system coverage on some products. This express warranty does not cover:

- Cost of regular maintenance service or parts, such as filters, fuel, lubricants, tune-up parts, blade sharpening, brake and clutch adjustments.
- Any product or part which has been altered or misused or required replacement or repair due to normal wear, accidents, or lack of proper maintenance.
- Repairs necessary due to improper fuel, contaminants in the fuel system, or failure to properly prepare the fuel system prior to any period of non-use over three months.
- Pickup and delivery charges to and from an Authorized Toro Service Dealer.

### General Conditions

All repairs covered by this warranty must be performed by an Authorized Toro Service Dealer using Toro approved replacement parts.

**Repair by an Authorized Toro Service Dealer is your sole remedy under this warranty.**

**Neither The Toro Company nor Toro Warranty Company is liable for indirect, incidental or consequential damages in connection with the use of the Toro Products covered by this warranty, including any cost or expense of providing substitute equipment or service during reasonable periods of malfunction or non-use pending completion of repairs under this warranty.**

**Some states do not allow exclusion of incidental or consequential damages, so the above exclusion and limitations may not apply to you.**

**This warranty gives you specific legal rights, and you may also have other rights which vary from state to state.**

### Countries Other than the United States or Canada

Customers who have purchased Toro products exported from the United States or Canada should contact their Toro Distributor (Dealer) to obtain guarantee policies for your country, province, or state. If for any reason you are dissatisfied with your Distributor's service or have difficulty obtaining guarantee information, contact the Toro importer. If all other remedies fail, you may contact us at Toro Warranty Company.