

Item #  
1000 000 000

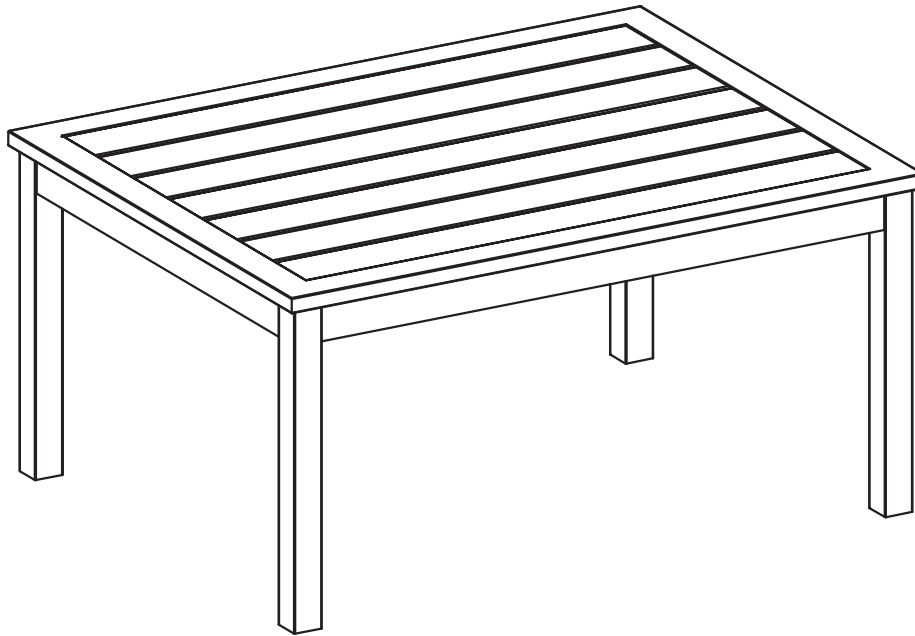


Model #  
HD18129J

## USE AND CARE GUIDE

---

### RILEY STEEL COFFEE TABLE



Questions, problems, missing parts?  
Before returning to the store, call Hampton Bay Customer Service  
8:00 a.m. - 7:00 p.m., EST, Monday - Friday  
9:00 a.m. - 6:00 p.m., EST, Saturday

1-855-HD-HAMPTON

HAMPTONBAY.COM

---

### THANK YOU

*We appreciate the trust and confidence you have placed in Hampton Bay through the purchase of this table. We strive to continually create quality products designed to enhance your home. Visit us online to see our full line of products available for your home improvement needs. Thank you for choosing Hampton Bay!*

# Table of Contents

Table of Contents.....	2	Pre-Assembly.....	3
Safety Information.....	2	Planning Assembly.....	3
Warranty.....	2	Hardware Included.....	3
2 Year Frame Limited Warranty.....	2	Package Contents.....	4
What Is Covered.....	2	Assembly.....	5
What Is Not Covered.....	2		
Care Instructions.....	2		

# Safety Information



**DANGER:** Keep children out of the assembly area before assembly.



**CAUTION :** Use the table on flat ground only.



**WARNING :** Do not sit or stand on the table.



**IMPORTANT:** Check the tightness of all bolts at least once every 90 days.



**WARNING :** Do not put heavy objects on the table.



**NOTE:** Level the table with glides at the bottom of each leg.

# Warranty

## 2 YEAR FRAME LIMITED WARRANTY

### WHAT IS COVERED

We warrant the frame to be free of manufacturing defects to the original purchaser for two years.

### WHAT IS NOT COVERED

It remains the customer's responsibility for freight and packaging charges to and from our service center. This warranty does not cover commercial use, hardware, acts of nature, fire, freezing and abusive use. In addition purchased parts are not covered under this warranty. We reserve the right to make substitutions with similar merchandise, if the model in question is no longer in production.

# Care Instructions

Before using, wipe with a clean, dry cloth. Do not use bleach or solvents. Treat the frame with liquid wax for maximum protection against UV light and salty, damp air. When not in use, store furniture in a cool, dry place. If the set includes cushions or mesh fabric, they may be cleaned by hand with a mild solution of soap and water. Rinse cushions thoroughly and allow to drip dry. Do not machine wash or tumble dry, as cushions may shrink. Do not use bleach or solvents on fabrics. When cleaning the tabletop make sure to use a soft, clean cloth that does not bleed color.

You may contact our customer service department with any questions by phone at 1-855-HD-HAMPTON or visit [www.hamptonbay.com](http://www.hamptonbay.com).

# Pre-Assembly

## PLANNING ASSEMBLY

Assemble this product on a blanket or towel or other soft, non-abrasive surface to avoid scratching the finish.

## HARDWARE INCLUDED



NOTE: Hardware not shown to actual size.



\_\_\_ AA



\_\_\_ BB



\_\_\_ CC

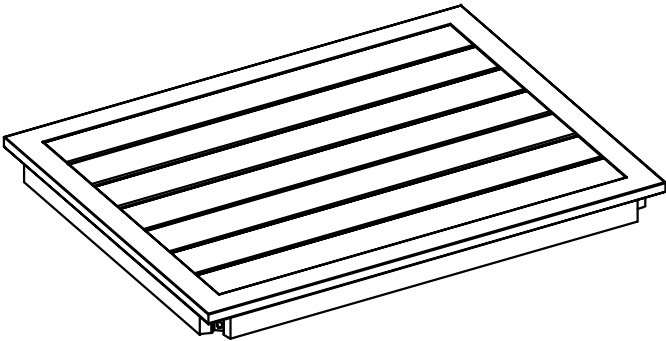


\_\_\_ DD

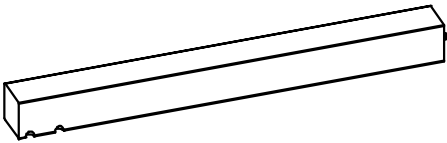
Part	Description	Quantity
AA	Bolt (M8 x 30 mm)	8
BB	Metal Washer	8
CC	Plastic Bolt Cap (M8)	8
DD	Hex Wrench (M8)	1

# Pre-Assembly (continued)

## PACKAGE CONTENTS



\_\_\_\_\_ **A**



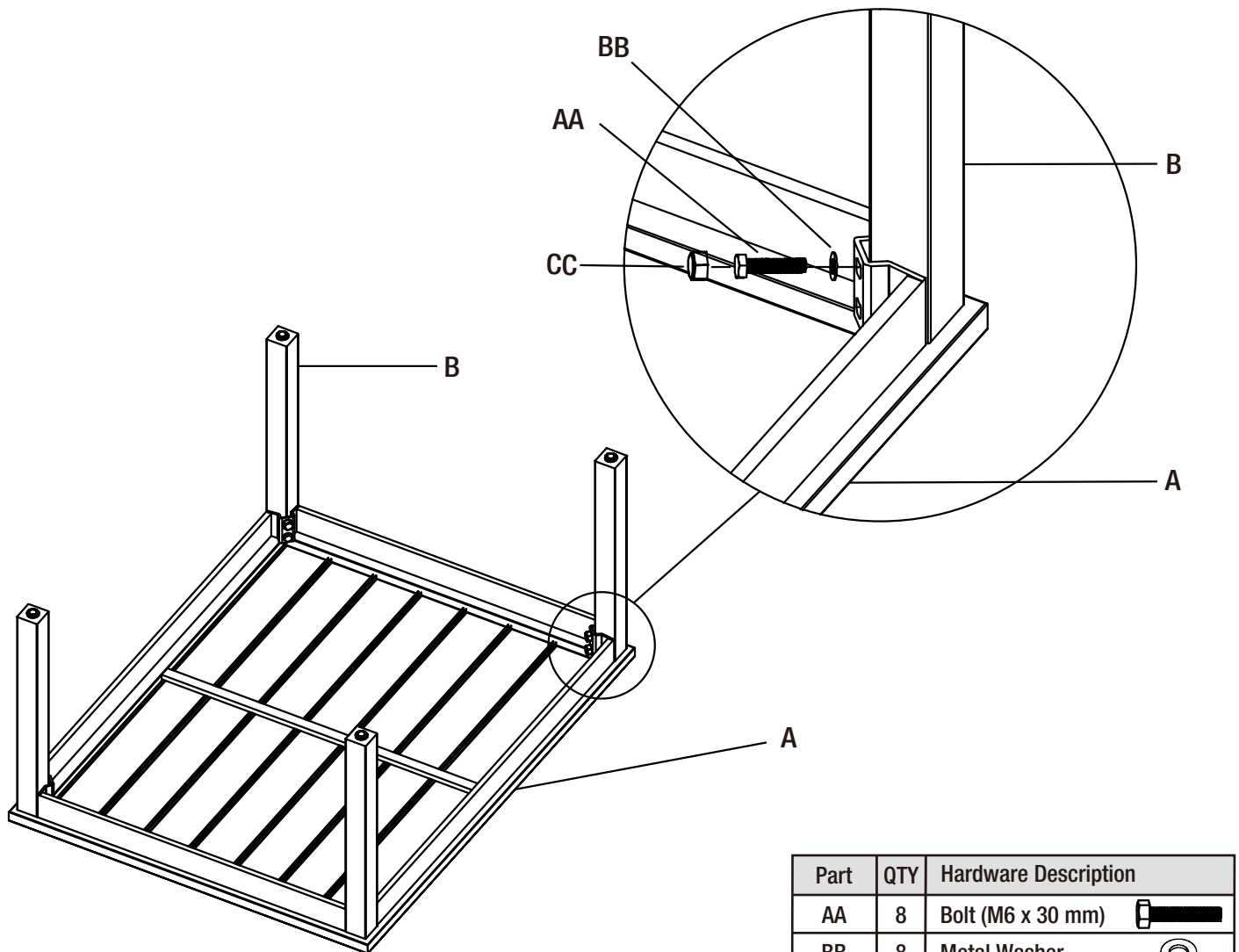
\_\_\_\_\_ **B**




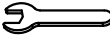
Part	Description	Quantity
A	Table Top	1
B	Table Leg	4

# Assembly

## 1 Assembling the table legs to the table top

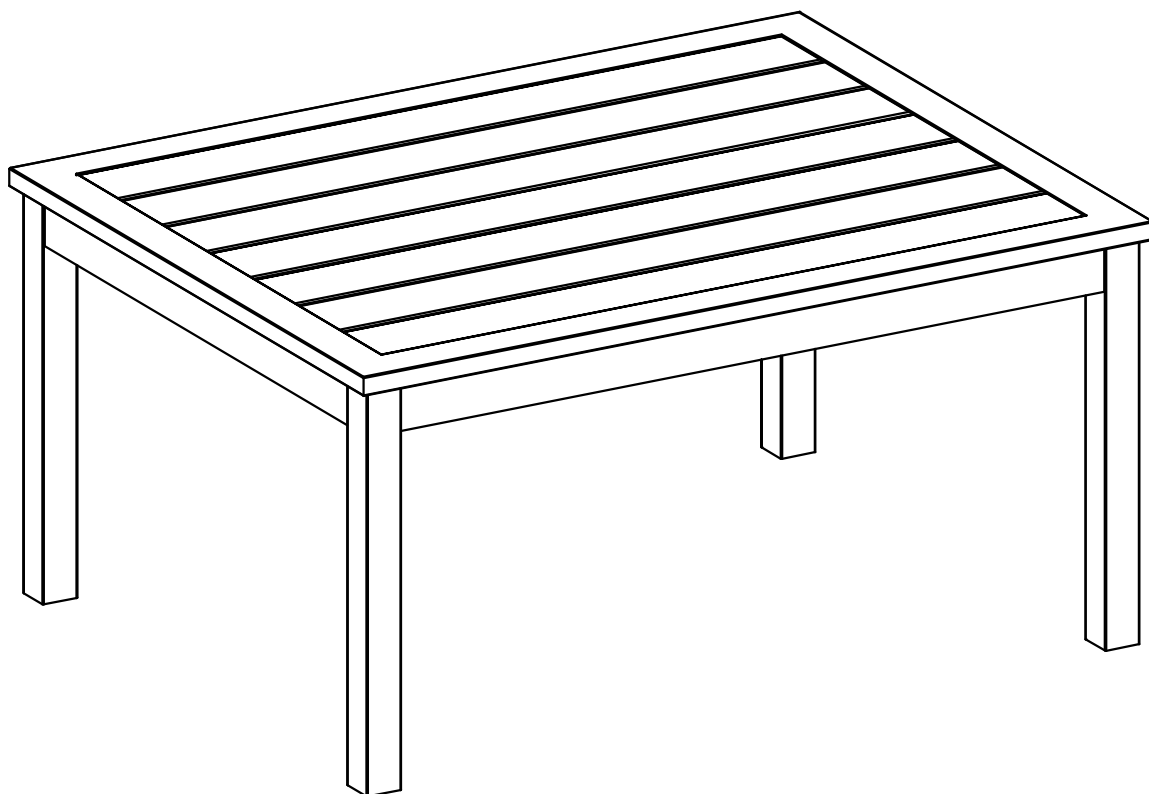
- Place the table top (A) upside down so the pre-drilled holes are visible.
- Attach the table legs (B) to the table top (A) by inserting bolts (AA) with metal washers (BB) through the pre-drilled holes on the inner side of the 4 corners on the table apron.
- Tighten all the bolts using the wrench (DD) and cover all bolts with bolt caps (CC).



Part	QTY	Hardware Description
AA	8	Bolt (M6 x 30 mm) 
BB	8	Metal Washer 
CC	8	Plastic Bolt Cap (M6) 
DD	1	Hex Wrench (M6) 

## 2 Completing the assembly

- Carefully the table over into the upright position. Your table is now ready for use, so relax & enjoy!





Questions, problems, missing parts?  
Before returning to the store, call Hampton Bay Customer Service  
8:00 a.m. - 7:00 p.m., EST, Monday-Friday  
9:00 a.m. - 6:00 p.m., EST, Saturday

1-855-HD-HAMPTON

HAMPTONBAY.COM

Retain this manual for future use.