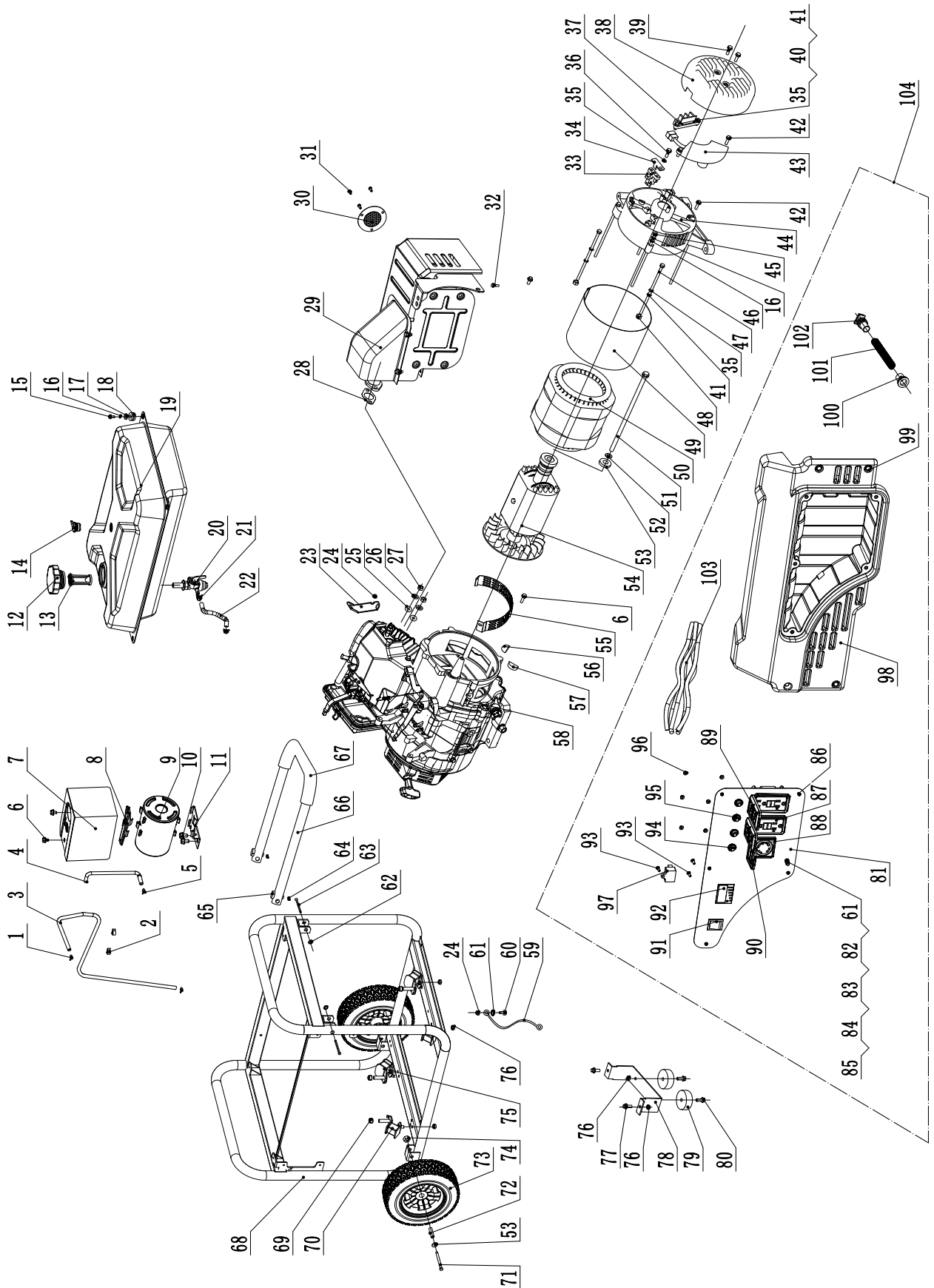


SPECIFICATIONS

Parts Diagram

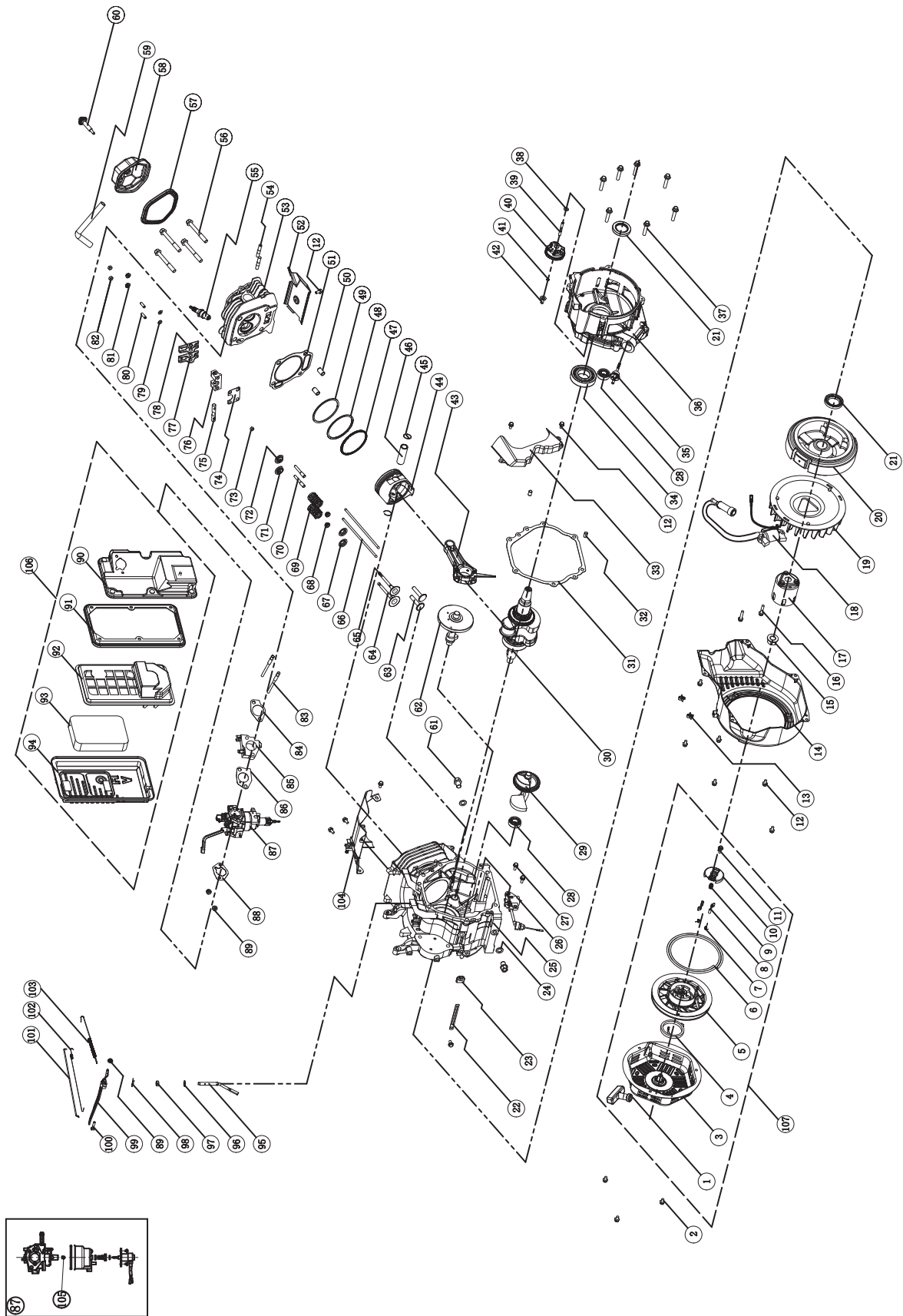


#	Part Number	Description	Qty
1	2.06.006	Clamp ø7 x 1	2
2	2.05.001	Clamp ø8 x 6.5	2
3	152.070014.05	Pipe, Reversal Valve 810 mm	1
4	152.070013.03	Pipe, Air Cleaner, 135mm	1
5	2.06.004	Clamp ø8 x 1	1
6	1.5789.0608	Flange Bolt M6 x 8	3
7	152.070018.02	Board, Heat Insulation	1
8	152.070702.06	Support Arm, Top	1
9	152.070700.02	Carbon Canister, 650cc	1
10	1.16674.0812	Flange Bolt M8 x 12	2
11	152.070702.05	Support Arm, Bottom	1
12	122.070100.07	Fuel Tank Cap	1
13	122.070300.03	Fuel Filter Assembly	1
14	24.070800.00	Reversal Valve	1
15	1.5789.0620.1	Flange Bolt M6 x 20, Black	4
16	1.93.06	Lock Washer ø6	8
17	2.03.004.1	Washer ø24 x ø6.5 x 1.5, Black	4
18	122.070015.01	Mount Vibration, Fuel Tank	4
19	152.071000.40.48	Fuel Tank, Yellow	1
20	122.070400.05	Fuel Valve	1
21	2.06.007	Clamp ø8 x b6	2
22	152.070011.07	Pipe, Fuel 7.6 in.	1
23	45.090006.20	Holder, Air Cleaner	1
24	1.6177.1.06	Nut M6, Flange Lock	2
25	1.848.08	Washer ø8	2
26	1.93.08	Lock Washer ø8	2
27	1.6175.08	Nut M8	2
28	46.100001.07	Gasket, Exhaust	1
29	46.101000.00.2	Muffler Assembly	1
30	46.101300.00	Spark Arrester Assembly	1
31	1.9074.4.0510	Screw/Washer Assembly M5 x 10	3
32	1.16674.0820	Flange Bolt M8 x 20	2
33	152.190300.00	Carbon Brush Assembly	1
34	122.190004.01	Brush Holder	1
35	1.93.05	Lock Washer ø5	5
36	1.5783.0520	Bolt M5 x 20	1
37	122.190400.00	Terminal Block	1
38	152.190003.00.48	Generator End Cover, Yellow	1
39	1.16674.0512.2	Flange Bolt M5 x 12	2
40	1.5783.0516	Bolt M5 x 16	2
41	1.97.1.05	Washer ø5	4
42	1.16674.0516	Flange Bolt M5 x 16	3
43	153.190200.03	AVR, Large	1
44	152.190002.00	End Housing	1
45	2.08.032	Flange Bolt M6 x 179	4
46	1.97.1.06	Washer ø6	4
47	2.08.035	Bolt M5 x 214	2
48	1.6175.05	Nut M5	2
49	152.191002.00	Stator Cover	1
50	152.191200.27	Stator Assembly, Al, 140 mm, NO DC , CSA	1
51	2.08.034	Flange Bolt M10 x 265	1
52	1.7244.10	Lock Washer ø10	1
53	1.96.10	Washer ø10, Flat	3

#	Part Number	Description	Qty
54	152.191100.26	Rotor Assembly, Al, 140 mm, NO DC , CSA	1
55	152.192300.01	Air Guide	1
56	152.190005.00	Rubber 1, Fore-Cover	1
57	152.190005.01	Rubber 2, Fore-Cover	1
58	46.401	Engine	1
59	5.1900.026	Grounding Line 150 mm	1
60	1.5789.0612	Flange Bolt M6 x 12	1
61	1.862.06	Lock Washer ø6	2
62	1.894.1.10	Circlip ø10	2
63	152.200703.04	Long Pin, Handle	2
64	1.894.1.08	Circlip ø8	2
65	152.200703.02	Pin, Handle	2
66	152.200701.02.2	Handle, U Shape	1
67	152.200702.02	Cover, Handle	1
68	6.5.245.402.2	Frame	1
69	1.6177.1.10	Nut M10, Flange Lock	4
70	152.201200.03	Motor Mount, I	2
71	1.5782.10115	Bolt M10 x 115	2
72	122.200016.01	Bushing ø16 x 10.5 x 59	2
73	152.201701.09.1	9.5 in. Wheel, Black	2
74	1.6182.10	Lock Nut M10	2
75	152.201200.04	Motor Mount, II	2
76	1.6177.1.08	Nut M8, Flange Lock	8
77	1.5789.0816	Flange Bolt M8 x 16	2
78	152.200002.01.2	Support Leg, 84MM	1
79	152.201400.00	Rubber, Support	2
80	1.5789.0825	Flange Bolt M8 x 25	2
81	152.20.1.2	Control Panel, Black	1
82	1.5783.0622.3	Bolt 6 x 22, Green	1
83	1.6175.06.3	Nut M6, Green	2
84	1.97.1.06.3	Washer ø6, Green	2
85	1.93.06.3	Lock Washer ø6, Green	2
86	1.9074.4.0514.1	Screw/Washer Assembly M5 x 14, Black	5
87	5.1120.050	Receptacle 5-20R Duplex, GFCI	2
88	5.1120.009	Receptacle L14-30R	1
89	5.1870.005	Receptacle Cover, Receptacle 5-20R, Duplex, GFCI	2
90	5.1870.003	Receptacle Cover, Receptacle L14-30R	1
91	5.1000.004.3	Ignition Switch, Red	1
92	5.1440.002	Intelligauge, Power meter	1
93	1.823.0514	Screw M5 x 14	3
94	5.1210.925	25 Amp Circuit Breaker	2
95	5.1210.920	20 Amp Circuit Breaker	2
96	1.6177.1.04.1	Nut M4, Flange Lock, Black	6
97	5.1810.001	Over Voltage Protector	1
98	152.210002.21	Control Box	1
99	1.5789.0615.1	Flange Bolt M6 x 15, Black	4
100	122.210003.01	Wire Jacket, Control Box	1
101	5.1330.018	Sheath, Wire, ø16 x 250mm	1
102	152.210003.02	Plug, Control Box	1
103	100109.21.10	Wire Assembly	1
104	100109.21	Control Panel Assembly	1

SPECIFICATIONS

Engine Parts Diagram



#	Part Number	Description	Qty
1	21.061300.00	Recoil Handle	1
2	1.5789.0608	Flange Bolt M6 x 8	4
3	46.061100.00.2	Recoil Starter Cover, Black	1
4	45.060005.00	Recoil Starter Spring	1
5	45.061102.00	Recoil Starter Reel	1
6	2.10.003	Rope \varnothing 5 x 1550	1
7	45.060003.00	Spring, Ratchet	2
8	45.060002.00	Starter Ratchet (Iron)	2
9	45.060009.00	Spring Guide, Ratchet	1
10	45.060007.00	Ratchet Guide	1
11	45.060008.00	Screw, Ratchet Guide	1
12	1.5789.0612	Flange Bolt M6 x 12	12
13	2.05.005	Clamp \varnothing 6	2
14	46.080100.01.48	Cover, Fan, Yellow	1
15	2.02.007	Nut M16 x 1.5	1
16	1.5789.0629	Flange Bolt M6 x 29	4
17	45.060001.00	Pulley, Starter	1
18	46.123000.03	Ignition Coil	1
19	45.080001.00	Cooling Fan	1
20	46.120100.03	Flywheel (EPA)	1
21	2.11.007	Oil Seal \varnothing 35 x \varnothing 52 x 8	2
22	2.05.050	Wire Clip, 100 mm	1
23	45.030032.00	Sheath, Wire	1
24	2.03.023	Washer \varnothing 12.5 x \varnothing 20 x 2	2
25	46.030100.01	Crankcase	1
26	45.127000.02	Oil Level Sensor	1
27	1.5789.0615	Flange Bolt M6 x 15	2
28	1.276.6202	Bearing, 6202	2
29	47.050006.00	Weight Balancer	1
30	45.050100.14	Crankshaft	1
31	46.030008.00	Gasket, Crankcase Cover	1
32	2.04.001	Dowel Pin, \varnothing 9 x 14	2
33	46.080600.00	Air Guide, Right Side	1
34	1.276.6207	Bearing, 6207	1
35	46.031000.01.48	Oil Dipstick Assembly, Yellow	1
36	45.030007.00	Cover, Crankcase	1
37	1.5789.0840.0.8	Flange Bolt M8 x 40	7
38	2.03.021.1	Washer \varnothing 6.4 x \varnothing 13 x 1, Black	1
39	45.110013.00	Shaft, Governor Gear	1
40	45.110100.00	Gear, Governor	1
41	21.110011.00	Clip, Governor Gear	1
42	45.110012.00	Bushing, Governor Gear	1
43	47.050200.00	Connecting Rod	1
44	46.050005.00	Piston	1
45	2.09.004	Circlip \varnothing 21 x 1	2
46	45.050003.00	Pin, Piston	1
47	45.050303.00	Ring, Oil	1
48	46.050302.00	Ring, Second Piston	1
49	46.050301.00	Ring, First Piston	1
50	2.04.004	Dowel Pin, \varnothing 12 x 20	2
51	46.030009.01	Gasket, Cylinder Head	1
52	46.080400.00	Air Guide, Lower	1
53	46.010100.00	Cylinder Head	1
54	2.01.010	Stud Bolt M8 x 35	2

#	Part Number	Description	Qty
55	2.15.002(F6RTC)	Spark Plug (F6RTC)	1
56	2.08.014	Flange Bolt M10 x 80	4
57	46.020002.00	Gasket, Cylinder Head Cover	1
58	46.021000.00	Cylinder Head Cover	1
59	45.020001.02	Breather Tube	1
60	45.020100.00	Bolt, Cylinder Head Cover	1
61	2.08.039	Bolt, Drain, 12 x 1.5 x 15	2
62	46.041000.00	Camshaft	1
63	45.040013.00	Lifter, Valve	2
64	45.040002.00	Valve, Intake	1
65	45.040006.00	Valve, Exhaust	1
66	46.040005.00	Push Rod	2
67	45.040015.00	Retainer, Valve Spring	2
68	45.040017.00	Oil Seal, Valve	2
69	45.040003.00	Spring, Valve	2
70	23.040010.00	Bolt, Rocker Arm	2
71	45.040001.00	Retainer, Intake Valve Spring	1
72	45.040007.00	Retainer, Exhaust Valve Spring	1
73	45.040008.00	Rotator, Exhaust Valve	1
74	46.040004.00	Guide Plate Push Rod	1
75	46.040016.00	Shaft, Rocker Arm	1
76	46.040201.00	Retainer, Rocker Arm	1
77	46.040009.00	Rocker Arm, Intake Valve	1
78	46.040018.00	Rocker Arm, Exhaust Valve	1
79	1.97.1.06	Washer \varnothing 6	2
80	22.040012.00	Screw, Valve Adjustment	2
81	1.6177.1.06	Flange Lock Nut M6	2
82	21.040021.00	Nut, Lock M6 x 0.5	2
83	2.01.008	Stud Bolt M6 x M8 x 105	2
84	46.130002.20	Gasket, Insulator	1
85	45.130001.00	Insulator, Carburetor	1
86	46.130003.20	Gasket, Carburetor	1
87	46.131000.20	Carburetor	1
	46.131000.24		
88	46.130004.20	Gasket, Air Cleaner	1
89	1.6177.06	Flange Nut M6	3
90	46.091100.03	Base, Air Cleaner	1
91	45.091002.20	Seal, Air Cleaner	1
92	45.091001.20	Separator, Air Cleaner	1
93	45.091003.20	Element, Air Cleaner	1
94	46.091200.04	Cover, Air Cleaner	1
95	45.110001.00	Shaft, Governor Arm	1
96	2.03.019	Washer \varnothing 8.2 x \varnothing 17 x 0.8	1
97	2.11.006	Oil Seal \varnothing 7 x \varnothing 14 x 5	1
98	45.110008.00	Pin, Shaft	1
99	45.110003.00	Arm, Governor	1
100	2.08.040	Bolt, Governor Arm, 6 x 21	1
101	45.110006.00	Rod, Governor	1
102	45.110005.00	Spring, Throttle Return	1
103	45.110007.00	Spring, Governor	1
104	46.080300.20	Air Guide, Upper	1
105	46.131017.20	Standard Main Jet	1
	46.131017.20.01	Altitude Main Jet	/
106	46.091000.03	Air Cleaner Assembly	1
107	46.061000.00	Recoil Assembly	1