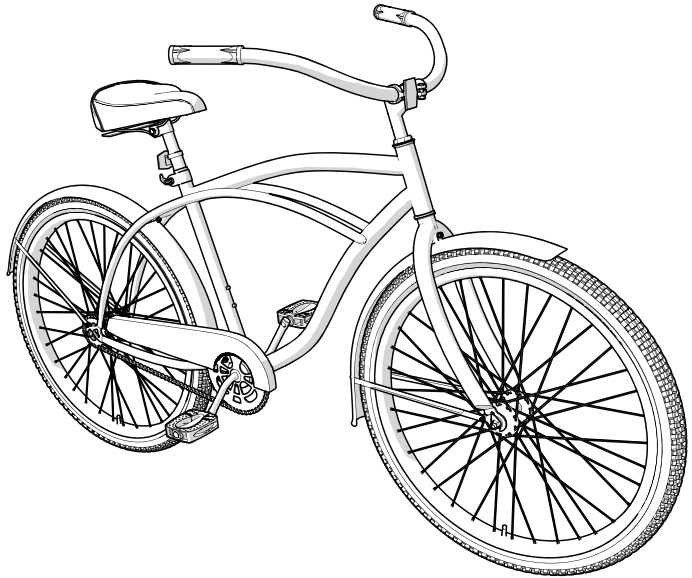


Owner's Manual for Cruiser Bicycles



**This manual contains important safety,
assembly, operation and maintenance
information.**

**Please read and fully understand this
manual before operation.**

Save this manual for future reference.



HUFFY

Owner's Manual Index

Your Bike

- Owner's Bicycle Identification Record3
- Fitting the Rider to the Bicycle3
- Warning and Safety Information4
- Rules of the Road4
- The Owner's Responsibility5

Bicycle Assembly

- Parts Assembly View6
- Parts Assembly List.....7
- Introduction8
- Tools Needed8
- Front Fender Installation9
- Assemble the Front Wheel to the Fork10
- Rear Fender Assembly11
- Handlebar and Stem Installation.....12
- Testing Stem and Handlebar Tightness13
- Seat Installation14
- Testing Seat Clamp and Post Clamp Tightness.....15
- Front Reflector Bracket Installation.....16
- Rear Reflector Bracket Installation16
- Pedal Installation.....17

Maintenance and Service

- Brake System.....18
- Chain Adjustment.....18
- Tires19
- Repair and Service20
- Lubrication20
- Lubrication Table.....20
- Inspection of the Bearings21
- Reflectors.....21

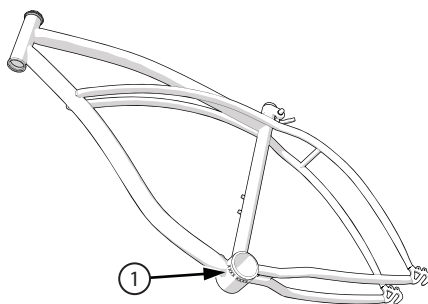
Huffy Warranty

- Huffy Corporation Limited Warranty.....22

Owner's Bicycle Identification Record

NOTE: This information is only available on the bicycle itself. It is not available from Huffy.

Each Huffy bicycle has a Serial Number stamped into the frame. The Serial Number (1) can be found on the bottom of the crank housing as shown.



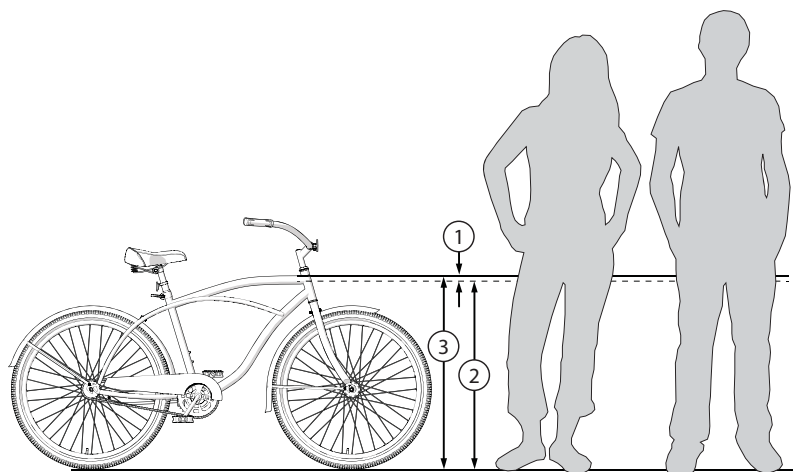
Write this number below to keep it for future reference. If the bicycle is stolen, give this number and a description of the bicycle to the police. This will help them find the bicycle.

Model / Serial Number:

Purchase Date:

Model Name:

Fitting the Rider to the Bicycle




To determine the correct size of bicycle for the rider:

- Straddle the assembled bicycle with feet shoulder width apart and flat on the ground.
- There must be at least 1 inch (2.5 cm) of clearance (1) between the highest part of the top tube (2) and the crotch of the rider with tires properly inflated.
- The minimum leg-length for the rider is the highest part of the top tube plus one inch (3).

Warning and Safety Information

Meanings of Warnings:


 This symbol is important. See the word **“CAUTION”** or **“WARNING”** which follows it.

The word **“CAUTION”** is before mechanical instructions. If you do not obey these instructions, mechanical damage or failure of a part of the bicycle can occur.

The word **“WARNING”** is before personal safety instructions. If you do not obey these instructions, injury to the rider or to others can occur.

- Do not add a motor to the product.
- Do not tow or push the product.
- Do not modify the product.
- Replace worn or broken parts immediately.
- If anything does not operate properly, discontinue use.

Rules of the Road

 **WARNING:** Failure of the rider to obey the following “Rules of the Road” can result in injury to the rider or to others.

- Obey all traffic regulations, signs, and signals.
- Always wear a bicycle helmet that meets safety standards, as well as local safety standards.
- Ride on the correct side of the road, in a single file, and in a straight line.
- If possible, avoid riding at night, dusk, dawn and any other time of poor visibility.
- **If you must ride at night or at time of poor visibility:**
 - Purchase, install, and use a headlight and taillight.
 - Headlights are required by all states for nighttime riding and taillights are required in some states.
 - Battery-powered lights or flashing safety lights are also recommended.
 - Make sure the reflectors of your bicycle are correctly positioned. Do not remove the reflector or replace the reflectors with lighted devices that look similar to reflectors.
 - Make yourself more visible to motorists.
 - Wear light-colored or reflective clothing, such as a reflective vest and reflective bands for your arms and legs.
 - Use reflective tape on your helmet.

- Do not let anything cover the reflectors.
- **Use extra caution in wet weather:**
 - Ride slowly on damp surfaces because the tires will slide more easily.
- **Avoid these hazards to prevent loss of control or damage to your wheels:**
 - Be aware of drain grates, soft road edges, gravel or sand, pot holes or ruts, wet leaves, or uneven paving.
 - Cross railroad tracks at a right angle to prevent the loss of control.
 - Avoid unsafe actions while riding.
 - Do not carry any passengers.
 - Do not carry any items or attach anything to your bicycle that could hinder your vision, hearing, or control.
 - Do not ride with both hands off the handlebar.

The Owner's Responsibility



WARNING: This bicycle is made to be ridden by one rider at a time for general transportation and recreational use. It is not made to withstand the abuse of stunting and jumping.

If the bicycle was purchased unassembled, it is the owner's responsibility to follow all assembly and adjustment instructions exactly as written in this manual, and any "Special Instructions" supplied and to make sure all fasteners and components are securely tightened.

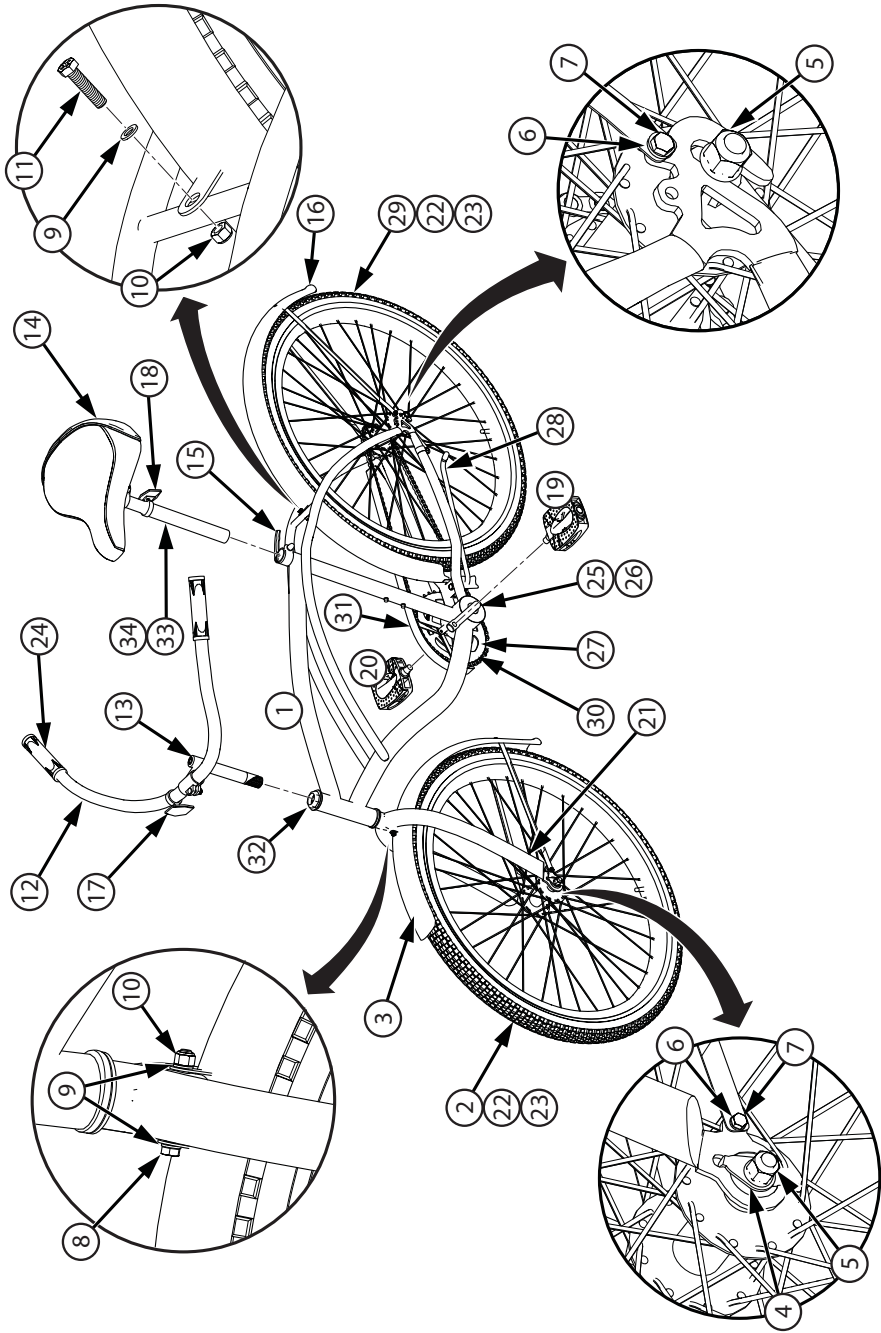
NOTE: Periodically check that all fasteners and components are securely tightened.

If the bicycle was purchased assembled, it is the owner's responsibility, before riding the bicycle for the first time, to make sure the bicycle has been assembled and adjusted exactly as written in this manual, and any "Special Instructions" supplied and to make sure all fasteners and components are securely tightened.

NOTE:

If product is assembled, please proceed to pages 13 and 15: Testing Stem, Handlebar and Seat Clamp tightness.

Parts Assembly View



Parts Assembly List

No.	Description	No.	Description
1	Frame	19	Left Pedal
2	Front Wheel Assembly	20	Right Pedal
3	Front Fender	21	Fork
4	Wheel Retainer (x2)	22	Tire (x2)
5	Axle Nut (x4)	23	Tube (x2)
6	Washer (x4)	24	Grips (x2)
7	Fender Brace Bolt (x4)	25	Crank
8	Front Fender Mount Bolt	26	Crank Bearings
9	Washer (x3)	27	Sprocket
10	Nut (x2)	28	Kickstand
11	Rear Fender Mount Bolt	29	Rear Wheel Assembly
12	Handlebar	30	Chain
13	Handlebar Stem	31	Chainguard
14	Seat	32	Head Set Bearing
15	Quick Release Lever & Nut	33	Seat Post
16	Rear Fender	34	Seat Post Hardware
17	Front Reflector		
18	Rear Reflector		

Introduction

This Owner's Manual is made for several different bicycles. Some of the illustrations may not look exactly like the parts of the bicycle, but the instructions are correct. If the bicycle has any parts that are not described in this manual, look for separate "Special Instructions" that are supplied with the bicycle.

Do not dispose of the carton and packaging until you complete the assembly of the bicycle. This can prevent accidentally discarding parts of the bicycle.

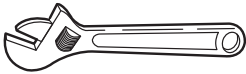


WARNING: Keep small parts away from children during assembly.

NOTE: All of the directions (right, left, front, rear, etc.) in this manual are as seen by the rider while seated on the bicycle.

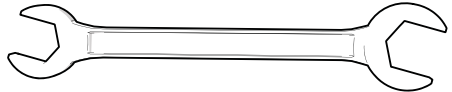
All features, components and accessories are not included on all models.

Tools Needed

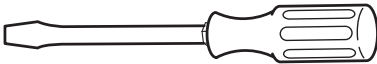


Small Adjustable Wrench

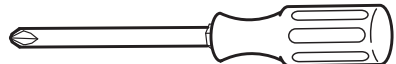
(Jaws must open at least 9/16 inch.)



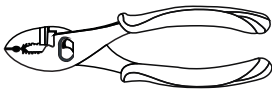
Open-end Wrenches



Flat-blade Screwdriver



Phillips Screwdriver



Slip-Joint Pliers



Metric Allen Wrenches

Front Fender Installation

Use Screw Driver and Wrench:

1. Front fender attaching hardware has been pre-assembled onto the fork. Remove the Bolt (8) and Washer (9) and Nut (10) from the fork crown.
2. Remove lower mounting Bolts (7) and Washers (6) from the dropout before starting (**fig 01**).

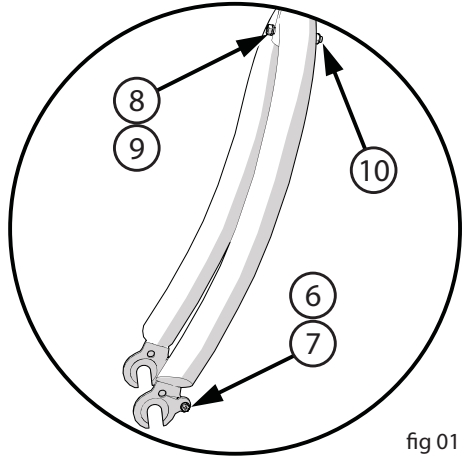


fig 01

3. Place the Fender (3) in the fork with the longer fork mounting tab (A) on the rear side of the fork (**fig 02**).
4. Insert the Bolt (8) through the Washer (9) and Fender tabs and fork mounting hole.
5. Install Washer (9) and Nut (10) onto Bolt (8) and tighten securely.

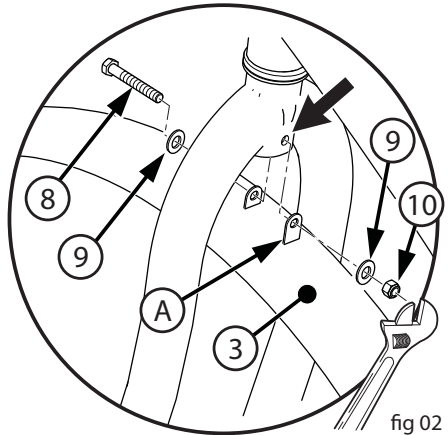


fig 02

6. Line up the lower Fender Braces (B) with the Fork Mounting Tabs (C) (**fig 03**).
7. Insert each lower mounting Bolt (7) and Washer (6) into the Fork Mounting Tabs (C) and tighten securely.

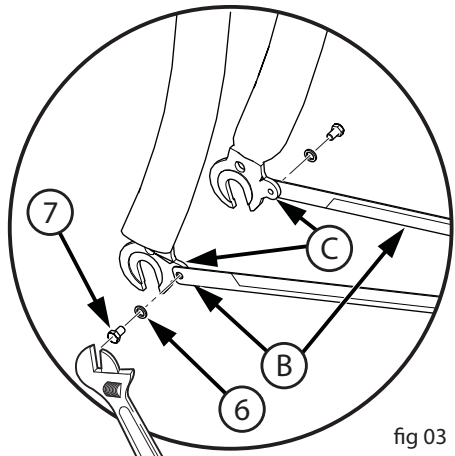
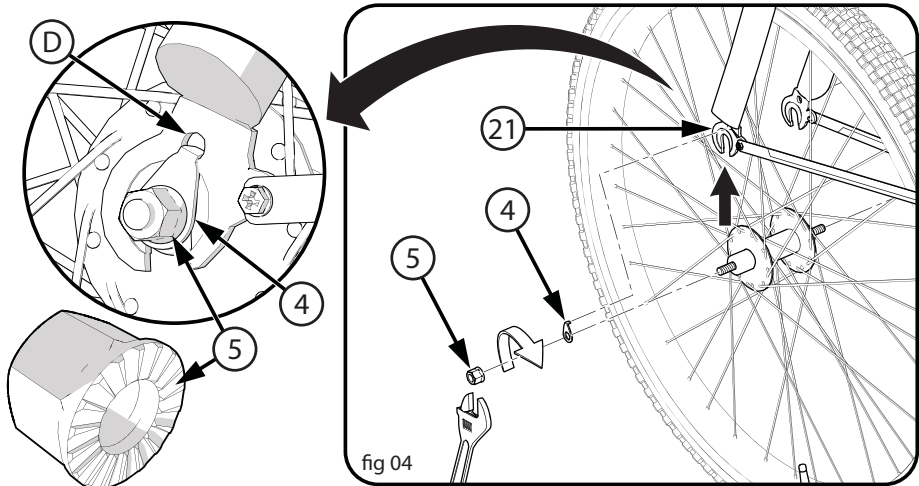


fig 03

Assemble the Front Wheel to the Fork

1. If the Axle Nuts (5) are already attached to the front wheel axle, begin by removing them with an open end wrench or adjustable wrench.
2. Set the wheel into the front fork (21) (**fig 04**).
3. Install wheel retainers (4) making sure the tabs are in the fork (D) tab holes.
4. Attach the front wheel with the Axle Nuts (5).
5. Tighten Axle Nuts to 21 ft-lbs.



Note: Ensure wheel spins freely without contacting fork or fender.

! WARNING: Do not use Nuts (5) without serrations to attach the front wheel.

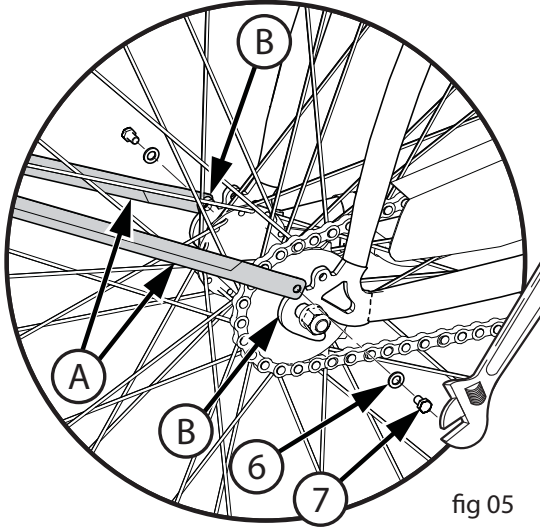
! WARNING: Put the wheel in the center of the fork and tighten both nuts to the recommended torque of 21 ft.-lbs.

! WARNING: Failure to obey these steps can allow the front wheel to loosen while riding. This can cause injury to the rider or to others.

Rear Fender Assembly

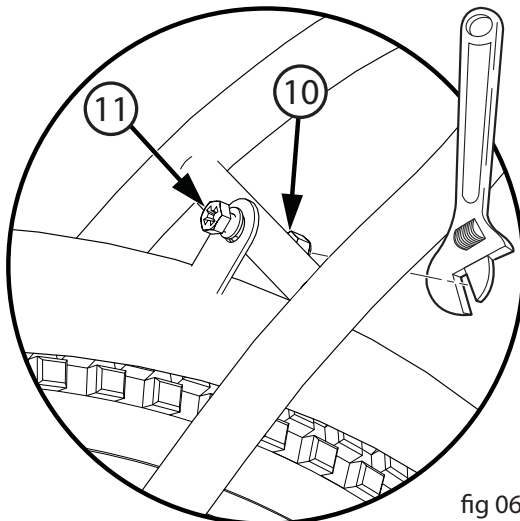
Note: Top Fender mount is loose (**fig 06**) to allow installation.

1. Line up the Rear Fender Braces (A) with the Frame Mounting Tabs (B) (**fig 05**).
2. Insert each lower mounting Bolt (7) and Washer (6) into the Frame Mounting Tabs (B) and tighten securely. Make sure fender is centered over tire.



Tighten Top Fender Mount:

3. Tighten Bolt (11) and Nut (10) securely. Make sure fender is centered over tire (**fig 06**).



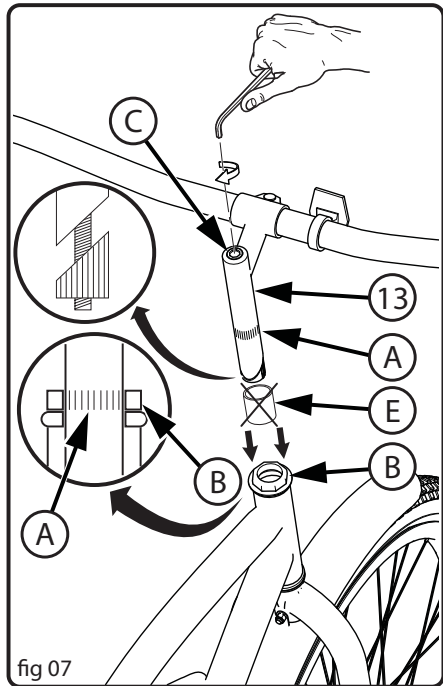
Note: Ensure wheel spins freely without contacting frame or fender.

Handlebar and Stem Installation

! WARNING: To prevent steering system damage and possible loss of control, the “MIN-IN” (minimum insertion) mark (A) on the stem must be below the top of the Locknut (B).

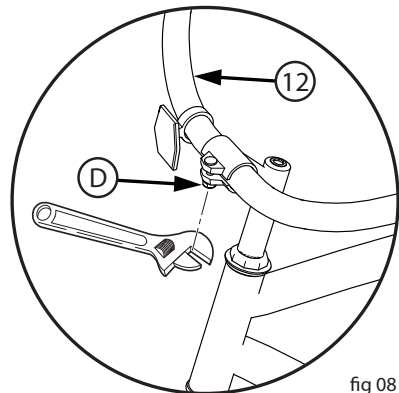
NOTE: Remove plastic Cap (E) from the end of the Stem (13).

1. Insert the Stem into the fork (**fig 07**).
2. Point the Stem towards the front of the bike.
3. Tighten the Stem Bolt (C) just enough to hold it in position.
4. If necessary, loosen the Handlebar Clamp Nut (D) and rotate Handlebar (12) into a comfortable riding position (**fig 08**).
5. Tighten Handlebar Clamp Nut just enough to hold it in position (**fig 08**).
6. Align the Stem with the front tire and tighten the Stem Bolt securely (**fig 07**).



! WARNING: Do not over tighten the stem bolt. Over tightening the stem bolt can damage the steering system and cause loss of control.

7. If necessary, re-adjust Handlebar.
8. Tighten Clamp Nut.

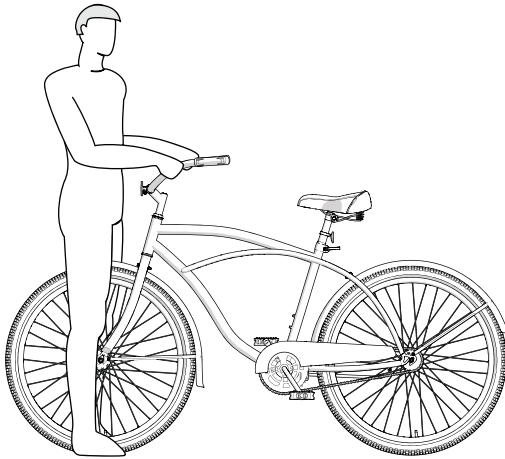


! WARNING: If the handlebar clamp is not tight enough, the handlebar can slip in the stem. This can cause damage to the handlebar or stem, and can cause loss of control.

Testing Stem and Handlebar Tightness

To test the tightness of the stem:

- Straddle the front wheel between your legs.
- Try to turn the front wheel by turning the handlebar.
- If the handlebar and stem turn without turning the front wheel, realign the stem with the wheel and tighten the stem bolt(s) tighter than before (about 1/2 revolution only at a time).
- Do this test again, until the handlebar and stem do not turn without turning the front wheel.



To test the tightness of the handlebar clamp:

- Hold the bicycle stationary and try to move the ends of the handlebar up and down.



CAUTION: Do not exceed 100 lbs downward force.

- If the handlebar moves, loosen the bolt(s) of the handlebar clamp.
- Put the handlebar in the correct position and tighten the bolt(s) of the handlebar clamp tighter than before.
- If the handlebar clamp has more than one bolt, tighten the bolts equally.
- Do this test again, until the handlebar does not move in the handlebar clamp.

Seat Installation

Attach Seat to Seat Post (fig 09):

(pre-assembled on some models)

- Loosen nuts on Seat Clamp (A) and rotate Seat (14) into riding position.
- Put the Seat Post (33) fully through the Seat Clamp.
- Tighten the Seat Clamp so the Seat stays on the seat post.
- If the Seat Clamp has a nut on each side, tighten both nuts equally.

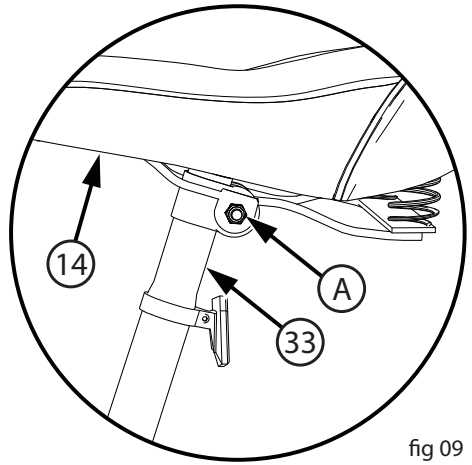


fig 09



CAUTION: If you accidentally drop the seat post into the seat tube, it may be difficult to remove it.

- Point the Seat forward and put the Seat Post into the Seat Tube (B) (figs 10, 11).



WARNING: To prevent the seat coming loose and possible loss of control, the “MIN-IN” (minimum insertion) mark (C) on the seat post must be below the top of the Seat Tube.

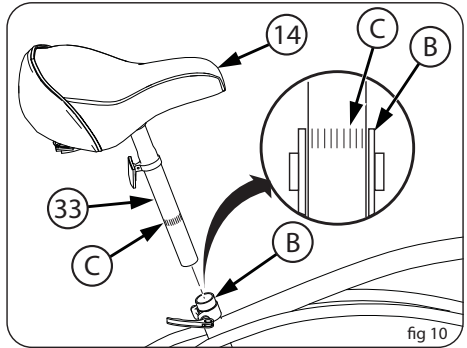


fig 10

Tighten the quick release lever (fig 11):

- Move the Quick Release Lever (D) to the “open” position so the word “open” is pointing away from the Seat Post Clamp (E).

NOTE: The words “open” and “close” are on opposite sides of the quick release lever.

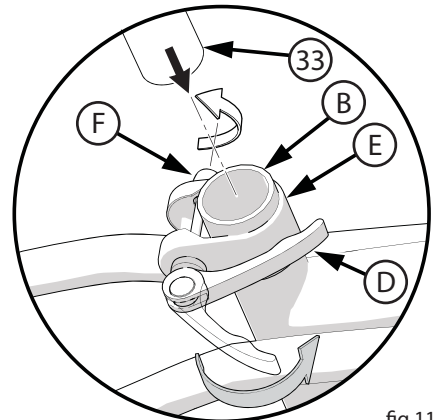


fig 11



CAUTION: Operate the Quick Release Lever by hand only. Do not use a hammer or any other tool to tighten the quick release lever.

You must use strong force to move the quick release lever to the “close” position. If you can easily move the lever to the “close” position, the clamping force is too light.



WARNING: If the clamping force of the Quick Release Lever is too light, the seat post can loosen while riding. This can cause injury to the rider or to others.

Tighten the quick release lever (continued):

- Open and close the Quick Release Lever with one hand while you turn the Adjusting Nut (F) with the other hand (**fig 11**).
- Tighten or loosen the adjusting nut by hand, so that you first feel resistance to the quick release lever when it perpendicular to the bicycle frame.
- Push the Quick Release Lever to the “close” position (**fig 11**).
- When in the “close” position, make sure the Quick Release Lever lays against the Seat Post Clamp (E).
- The tightening torque of the Quick Release Lever should be tight enough so that the seat does not move during normal operation.

Testing Seat Clamp and Post Clamp Tightness

To test the tightness of the seat clamp and the post clamp:



WARNING: Every time the quick release mechanism is loosened, make sure the red reflector is correctly positioned.

- Try to turn the seat side-to-side and to move the front of the seat up and down.
- **If the seat moves in the Seat Clamp (A) (fig 09):**
 - Loosen the Seat Clamp.
 - Put the seat in the correct position and tighten the Seat Clamp tighter than before.
 - Do this test again, until the seat does not move in the Seat Clamp.
- **If the Seat Post (33) moves in the Seat Tube (B):**
 - Move the Quick Release Lever to the “open” position.
 - Put the seat in the correct position and tighten the Quick Release Lever tighter than before.
 - If necessary, loosen Quick Release Lever , tighten Adjusting Nut and re-tighten Quick Release Lever .
 - Do this test again, until the seat post does not move in the seat tube.

Front Reflector Bracket Installation

1. Position Reflector (17) so it points straight forward (**fig 12**).
2. Tighten Clamp Screw.

NOTE: Do not over-tighten. This will damage the Clamp.

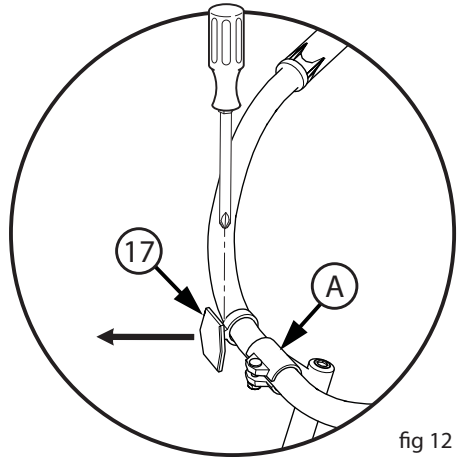


fig 12

Rear Reflector Bracket Installation

1. Position Reflector (18) so it points straight backwards (**fig 13**).
2. Tighten Clamp Screw.

NOTE: Do not over-tighten. This will damage the Clamp.

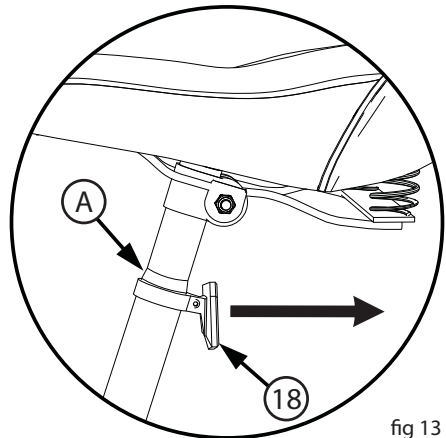


fig 13

Pedal Installation



CAUTION: There is a right pedal marked “R” and a left pedal marked “L”.

- The pedal marked “R” has right-hand threads. Tighten it in a **clockwise direction**.
- The pedal marked “L” has left-hand threads. Tighten it in a **counterclockwise direction (anti-clockwise)**.
- Turn the right pedal marked “R” into the right side of the crank arm, and the left pedal marked “L” into the left side of the crank arm.

Tighten the pedals (fig 14):

- Make sure the threads of each pedal are fully into the crank arm.
- The recommended torque (tightness) for each pedal is 30 ft.-lbs.

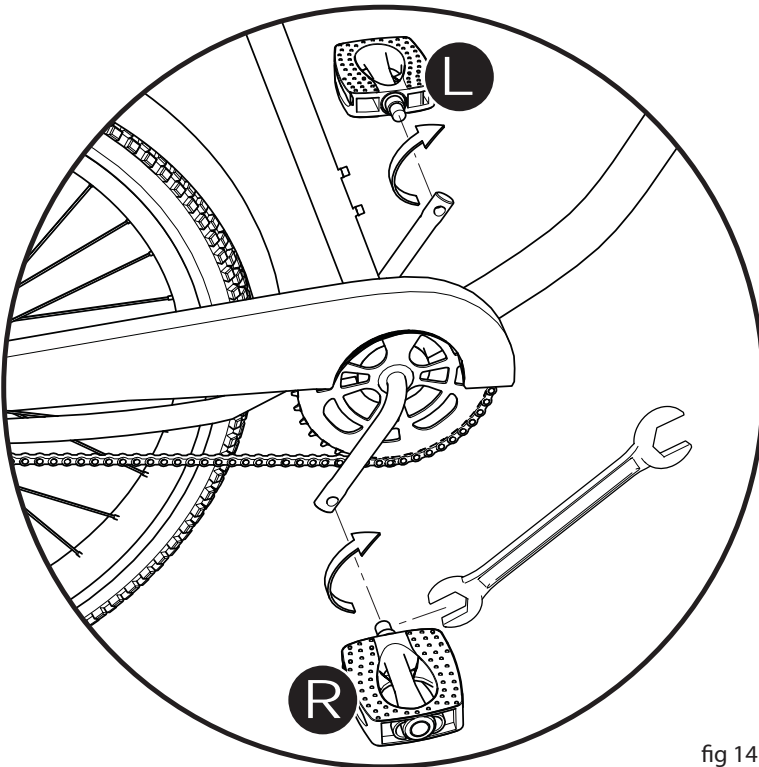


fig 14



Note: A Pedal Wrench is preferred for attaching Pedals. An open-end wrench can also be used as shown.

Brake System

These models are equipped with a rear 'coaster' brake that is operated by rotating the crank backwards (fig 15).

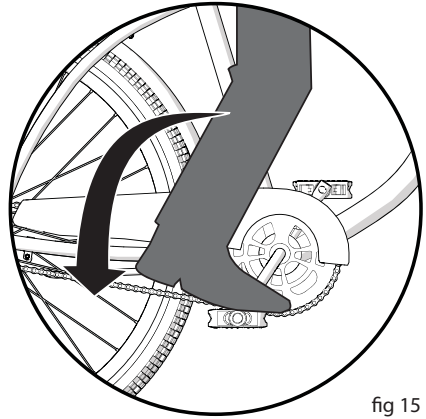


fig 15

Chain Adjustment

WARNING: The chain must remain on the sprockets. If the chain comes off the sprockets, the coaster brake will not operate.

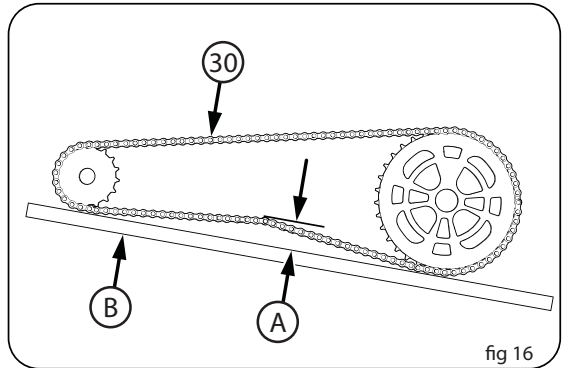


fig 16

Adjustment (fig 16):

The chain must be at the correct tightness. If too tight, the bicycle will be difficult to pedal. If too loose, the chain can come off the sprockets.

When the chain (30) is at the correct tightness, you can rotate the crank freely and you can pull it no more than one-half inch (A) away from a straightedge (B) as shown.

Adjust the tightness of the chain as follows:

- Loosen the axle nuts of the rear wheel.
- Move the rear wheel forward or backward as necessary.

NOTE: Make sure the rear wheel is in the center of the bicycle frame.

- Hold the wheel in this position and tighten the axle nuts to 21 ft.-lbs.

WARNING: Do not attempt chain repairs. If there is a problem with the chain, have a bicycle service shop make any repairs.

Tires

Maintenance:

- Frequently check the tire inflation pressure because all tires lose air slowly over time. For extended storage, keep the weight of the bicycle off the tires.
- Do not use unregulated air hoses to inflate the inner tubes. An unregulated hose can suddenly over inflate bicycle tires and cause them to burst.
- Replace worn tires.

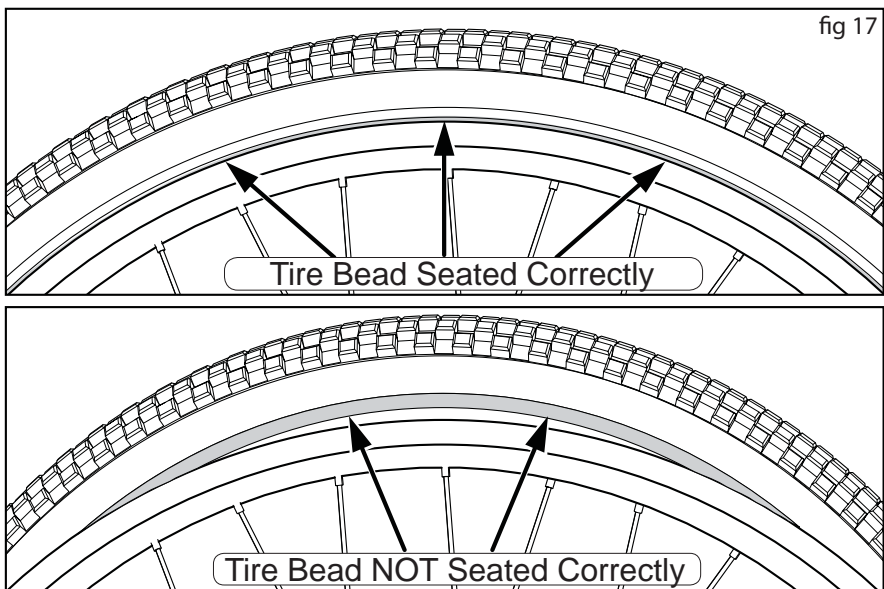


WARNING: Do not ride or sit on the bicycle if a tire is under inflated. This can damage the tire and inner tube.

Inflating the Tires:

- Use a hand or a foot pump to inflate the tires.
- Service station meter-regulated air hoses are also acceptable.
- The maximum inflation pressure is shown on the tire sidewall.
- If two inflation pressures are on the tire sidewall, use the higher pressure for on-road riding and the lower pressure for off-road riding.
- The lower pressure will provide better tire traction and a more comfortable ride.

Before adding air to any tire, make sure the edge of the tire (the bead) is the same distance from the rim, all around the rim, on both sides of the tire. If the tire does not appear to be seated correctly, release air from the inner tube until you can push the bead of the tire into the rim where necessary. Add air slowly and stop frequently to check the tire seating and the pressure, until you reach the correct inflation pressure. See **fig 17**.



Repair and Service



WARNING:

- Inspect the bicycle frequently. Failure to inspect the bicycle and to make repairs or adjustments, as necessary, can result in injury to the rider or to others. Make sure all parts are correctly assembled and adjusted as written in this manual and any “Special Instructions”.
- Immediately replace any damaged, missing, or badly worn parts.
- Make sure all fasteners are correctly tightened as written in this manual and any “Special Instructions”. Parts that are not tight enough can be lost or operate poorly. Over tightened parts can be damaged. Make sure any replacement fasteners are the correct size and type.

NOTE: Have a bicycle service shop make any repairs or adjustments for which you do not have the correct tools or if the instructions in this manual or any “Special Instructions” are not sufficient for you.

Lubrication



WARNING:

- Do not over lubricate. If oil gets on the wheel rims or the brake shoes, it will reduce brake performance and a longer distance to stop the bicycle will be necessary. Injury to the rider or to others can occur.
- The chain can throw excess oil onto the wheel rim. Wipe excess oil off the chain.
- Keep all oil off the surfaces of the pedals where your feet rest.
- Using soap and hot water, wash all oil off the wheel rims, the brake shoes, the pedals, and the tires.
- Rinse with clean water and dry completely before you ride the bicycle.
- Using a light machine oil (20W), lubricate the bicycle according to the following table:

Lubrication Table

What	When	How
Pedals	every six months	Put four drops of oil where the axles go into the pedals.
Chain	every six months	Put one drop of oil on each roller of the chain. Wipe all excess oil off the chain.

Inspection of the Bearings

Maintenance

Frequently check the bearings of the bicycle. Have a bicycle service shop lubricate the bearings once a year or any time they do not pass the following tests:

Head Tube Bearings

The fork should turn freely and smoothly at all times. With the front wheel off the ground, you should not be able to move the fork up, down, or side-to-side in the head tube.

Crank Bearings

The crank should turn freely and smoothly at all times and the front sprockets should not be loose on the crank. You should not be able to move the pedal end of the crank from side-to-side.

Wheel Bearings

Lift each end of the bicycle off the ground and slowly spin the raised wheel by hand. The bearings are correctly adjusted if:

- The wheel spins freely and easily.
- The weight of the spoke reflector, when you put it toward the front or rear of the bicycle, causes the wheel to spin back and forth several times.
- There is no side-to-side movement at the wheel rim when you push it to the side with light force.

Reflectors



WARNING: For your own safety, do not ride the bicycle if the reflectors are incorrectly installed, damaged, or missing. Make sure the front and rear reflectors are vertical. Do not allow the visibility of the reflectors to be blocked by clothing or other articles. Dirty reflectors do not work well. Clean the reflectors, as necessary, with soap and a damp cloth.

Huffy Corporation Limited Warranty

- Part or model specifications are subject to change without notice.
- This Limited Warranty is the only warranty for your Huffy Corporation (“Huffy”) product. There are no other expressed or implied warranties.
- This Limited Warranty extends only to the original consumer and is not transferable to anyone else.
- Warranty registration is not required.
- The only uses for this product are described in this manual.

What does this Limited Warranty cover?

This Limited Warranty covers all parts of the bicycle.

What must you do to keep the Limited Warranty in effect?

This Limited Warranty is effective only if:

- Bicycle is completely and correctly assembled.
- Bicycle is used under normal conditions for its intended purpose (see the following section for excluded activities).
- Bicycle receives all necessary maintenance and adjustments.
- Bicycle is used for general transportation and recreational use only.

What is not covered by this Limited Warranty?

- This Limited Warranty does not cover normal wear and tear, normal maintenance items, or any damage, failure, or loss that is caused by improper assembly, maintenance, adjustment, storage, or use of the bicycle.

This Limited Warranty will be void if the bicycle is ever:

- Used in any competitive sport
- Used for stunt riding, jumping, aerobatics or similar activity
- Installed with a motor or modified in any other way
- Ridden by more than one person at a time
- Rented
- Used in a manner contrary to the instructions and warnings in this Owner’s Manual

Huffy will not be liable for incidental or consequential loss or damage, due directly or indirectly from use of this product. Some states do not allow the exclusion or limitation of incidental or consequential damages, so the above limitation may not apply to you.

For how long does this Limited Warranty last?

- The frame is warranted for life except aluminum frames which are warranted for ten (10) years, from the date of purchase.
- The fork is warranted for life except for shock forks which are warranted one (1) year from date of purchase.
- All other components are warranted for six (6) months from the date of purchase.

What will Huffy do?

Huffy will replace, without charge to you, the component found to be defective by Huffy. The original owner must pay all labor and transportation charges connected with the repair or warranty work.

How do you get service?

Contact Huffy Consumer Service.

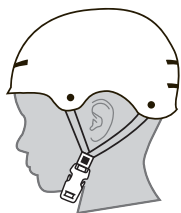
See included list for Customer Contact information.

What rights do you have?

This warranty gives you specific legal rights. You may also have other rights which vary from state to state.



WARNING: ALWAYS WEAR YOUR HELMET WHEN RIDING THIS PRODUCT!



CORRECT



INCORRECT

- Helmet should sit level on your head and low on your forehead
- Adjust the strap sliders below the ear on both sides.
- Buckle the chin strap. Adjust strap until it is snug.
- No more than two fingers should fit between the strap and your chin.
- A proper fitting helmet should be comfortable and not rock forward/backward or side to side.
- Always read the user manual that comes with your helmet to make sure it is fitted and attached properly to the wearer's head according to the fitting instructions described in the user manual.

Check www.Huffy.com for the current contact information

H Helmet EN 100212 i0027