



# Pro Rail & Stair Kit

*Assembly and Installation Instructions*

PLEASE READ OWNER'S MANUAL COMPLETELY  
BEFORE ASSEMBLING YOUR RAIL OR STAIR RAIL.

34106877BOM V2 5/13

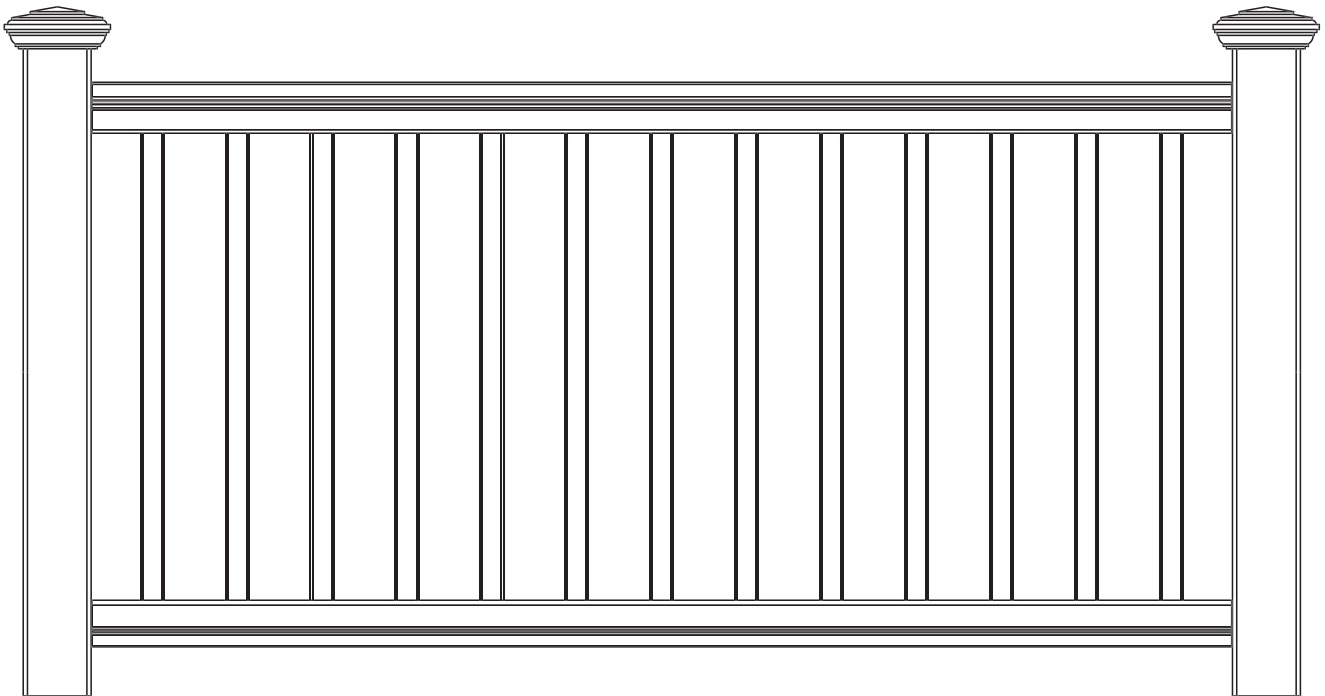
**Models**

73013127 / 73013128 / 73013129

**Owner's Manual**

**Version**

**2.0**



Thank you for choosing the Barrette Outdoor Living Pro Rail or Pro Stair Rail. Please read the instructions completely before assembling your rail. Retain manual and your dated sales slip for future reference and warranty claims.

**Before You Begin...**

Make sure your project meets local building codes before beginning installation.

2 person installation recommended

Precision cuts required to ensure optimum tight installation and fit. Use chopsaw or hacksaw with thin carbide tip blade to ensure smooth cuts. Pay particularly close attention to angle cuts to ensure tight fit.

**Material Checklist:**

- Tape Measure
- Level
- Hacksaw or Chopsaw
- Rubber Mallet
- Drill
- Drill bits
- Wood Blocks
- Pencil

**ATTENTION: Before you assemble the rail:**

**PLEASE TAKE A COMPLETE INVENTORY OF ALL PARTS USING THE CONTENTS.**

**DO NOT ATTEMPT TO ASSEMBLE THE RAILING IF PARTS ARE MISSING OR DAMAGED.**

**Please do not return the product to the store, for assistance or replacement parts call:**

**1-800-336-2383**

**For Pro Rail Installation:**

**Installing Post Jackets and Base Trim Over 4x4 Wood Posts**

**1a**

Slide Post Jacket and base trim over wood 4 x 4. Plastic post spacers are included in 5 x 5 Pro Rail Post Jacket and fit tight over 4 x 4 wood post.

**OR**

**Installing Post Jackets and Base Trim with Post Install Kit**

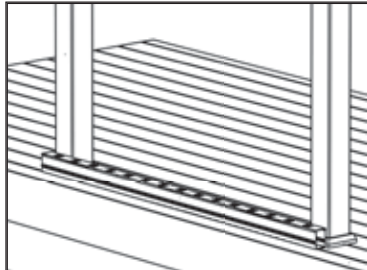
**1b**

Slide Post Jacket and base trim over steel Post Install Kit (sold separately) - See separate Post Install Kit instructions for installation details.

**Preparing Bottom Rails**

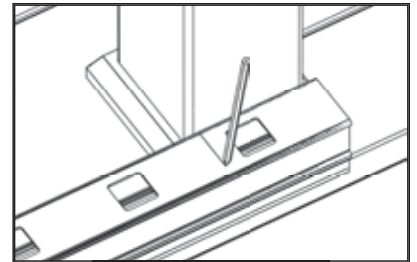
**2** If using full length panels, skip to Step 5.

Place bottom rail across post opening leaving equivalent spacing from the last baluster and post on each end.



**Mark Rails**

**3** Mark rail flush to post.



**Cut Rails**

**4** Assuming posts are plumb, align top rail with bottom rail and cut to proper length.

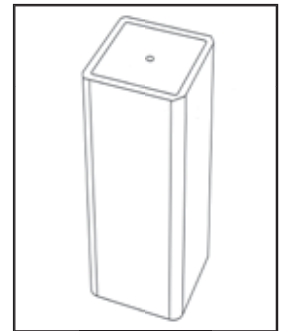
**Installing Center Supports**

**5** For 6' sections, one support brace is included.

- Measure equal distance from both ends of bottom railing and install support brace in center of bottom rail with supplied screw.

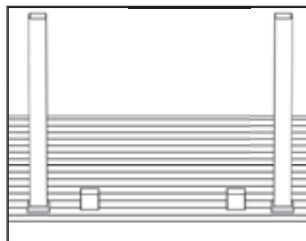
For 8' sections, two support braces are included.

- Measure length of bottom rail and divide by three - then measure that distance from each end of rail and install support braces with supplied screws (#10 x 3/4").



**Temporary Spacers**

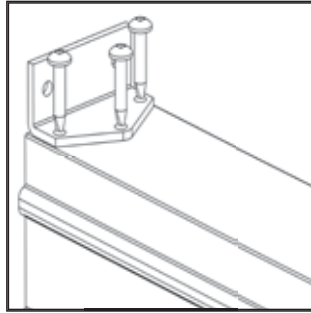
**6** Cut two 2-7/8" tall temporary wood spacer blocks (not included) to insert under ends of bottom rail to temporarily assist in aligning rail section.



**Install Bottom Rails**

**7** Position the bottom rail brackets to the ends of the bottom rail (side opposite the one with the routed holes.) Screw into rail with #10 x 1" screws.

**NOTE: Within the Pro-Rail bracket kit (model #73013131), the two bottom rail brackets are the larger ones.**

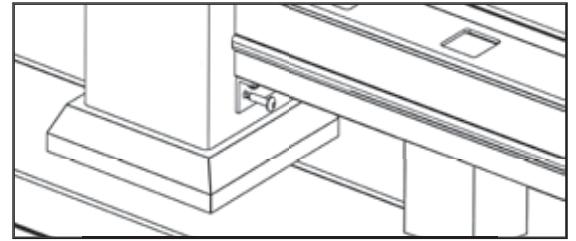
**Install Bottom Rails**

**8** Slide bottom rail in between posts and rest on top of wood spacer blocks.

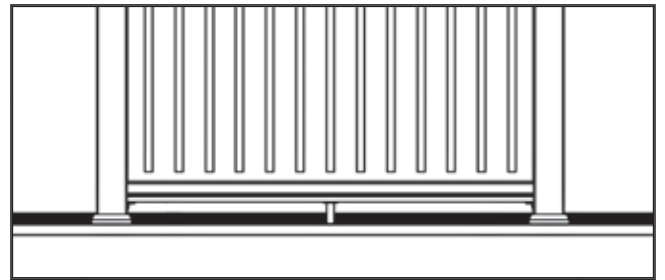
Screw bottom rail brackets into post (routed hole side of rail, facing upwards) with #10 x 1" screws.

Place bottom rail gaskets at ends of the installed bottom rail if desired, to cover any gaps created during installation.

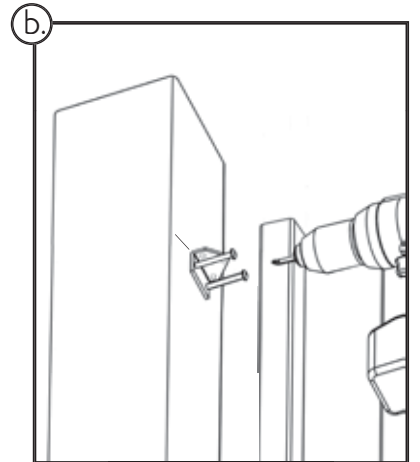
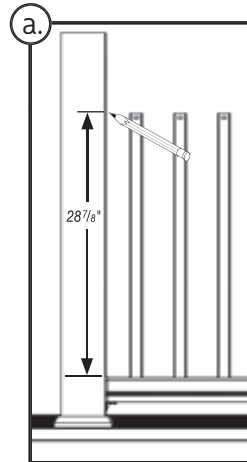
Remove/discard the temporary spacer blocks.

**Install Balusters**

**9** Slide balusters into the routed holes of the bottom rail. Lock tabs on balusters must face the outer edge of routed holes.

**Install Top Rail Brackets to Post**

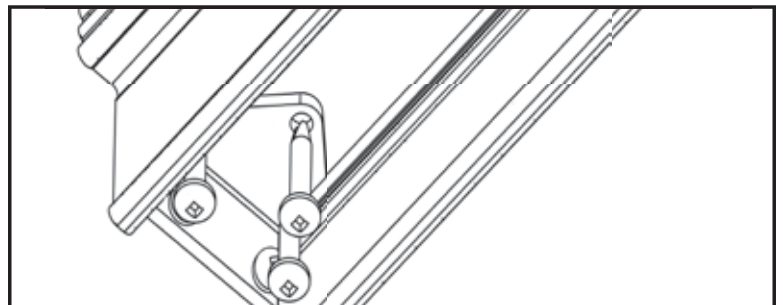
- 10**
- Measure up 28-7/8" from top of bottom rail and make a mark. This will be the location of the top of the bracket
  - Using 5/32" drill bit, pre-drill top rail bracket screw holes into post. Drill through bracket hole, vinyl post jacket, and wood or steel post and loosely install first #10 x 2-1/2" screw.
  - Repeat drilling process for remaining screws, and tighten all screws.

**Install Top Rail**

**11** Attach top rail to balusters: Begin at one side of rail and align first baluster with the first routed hole on the bottom side of the top rail and snap top rail into position. Continue down the line of balusters installing balusters into top rail.

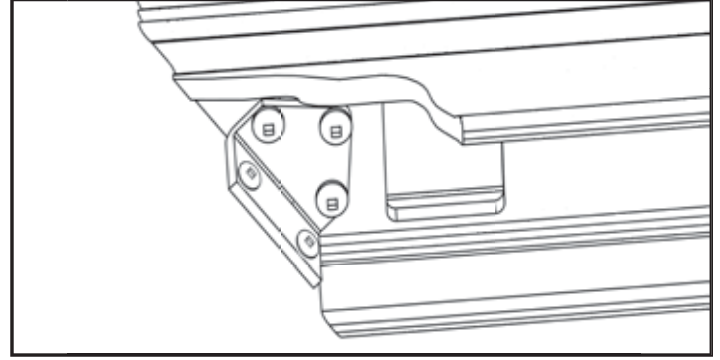
Position the top rail brackets at the ends of the underbelly of the top rail. Screw into rail with #10 x 1" screws.

Place top rail gaskets at ends of the installed top rail, if desired, to cover any gaps created during installation.



**For Angled Installations**

**12** Top and bottom rail should be cut to appropriate angle and length to fit tightly between posts. Top and bottom rail brackets to be moved to same angle as rails.



**For Pro Rail Stair Rail Installation:**

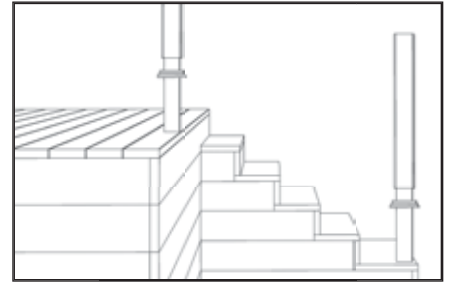
Building codes are specific as to angles, steepness and dimensions of stair installations. Typical stair angles are usually 32 degrees (7" rise and 11" run). Check with your local building code official as you plan your stair layout. Pay particularly close attention to angle cuts to ensure a tight fit. Pro Rail stair brackets work only with a stair slope from 26 degrees to 38 degrees, optimal at 32 degrees. Pro Rail stair kits top and bottom rails are routed to allow installations up to 32 degrees. A stair installation beyond 32 degrees will require additional routing of the rails by the installer.

**Installing Post Jackets and Base Trim**

**1a** Trim Stair Post Jacket to desired length. In most cases, the stair post and stair Post Jacket will need to be longer than posts on the deck on the lower side of the stair rail section to accommodate stair angles. (41" is recommended for a typical 36" rail height and 32 degree stair angle.)

Make sure the top and bottom posts for stairs are installed so the base trims are installed at the nose of each tread.

Slide Post Jacket and base trim over wood 4 x 4. Plastic post spacers are included in 5 x 5 Pro Rail Post Jackets and fit tight over 4 x 4 wood post.

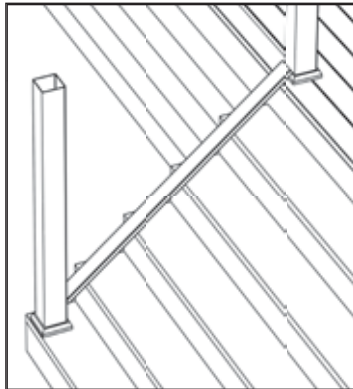


**OR**

**1b** Slide post sleeve and base trim over steel Post Install Kit (sold separately)  
- See separate post install kit instructions for details.

**Temporary Spacers**

**2** Place a temporary spacer board (5/4" deck board) on top of stair noses for proper spacing underneath rails.

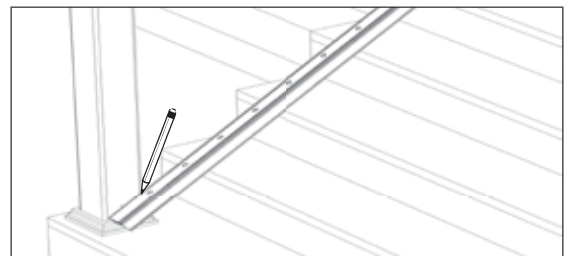


**Mark Rails**

**3** Set bottom rail on top of temporary spacer board making sure to leave equivalent space on both ends from post to first routed hole for balusters. Clamp to posts.

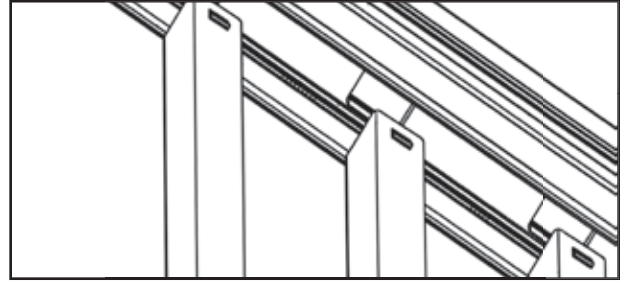
Mark angled line on bottom rail at intersection of rail and posts. Assuming posts are plumb, align top rail with bottom rail and cut both rails at the marked angles and lengths. Like the bottom rail, be sure to leave equivalent space on both ends of top rail from post to first routed hole.

Prior to cutting rails: Ensure proper fit by cutting a test piece of wood to the previously determined length and angle to fit into the opening between the posts.



**Install Balusters**

- 4** Assemble stair rail section by snapping balusters into routed holes. All lock tabs on balusters must face outer edge of routed holes in rails.

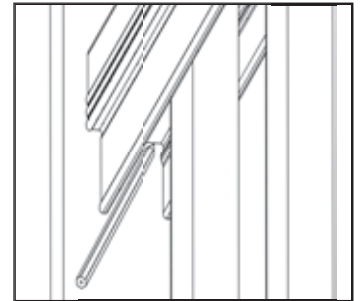
**Install Bottom Rail Brackets to Bottom Rail**

- 5** Attach bottom rail bracket to bottom rail with one #10 x 1" flat head screw. Brackets should align flush to the angled edge/cut of the bottom rail. Repeat on both ends of bottom rail, each side.

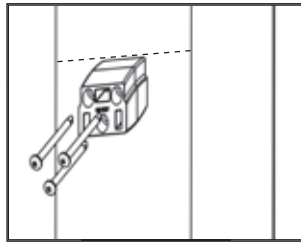
**Mark for Brackets**

- 6** Carry assembled stair rail section and place between installed posts and directly on top of temporary 5/4" spacer board.

On each post, mark under top rail cross rib where cross rib meets the post. This will aid in the proper placement of the top rail brackets.

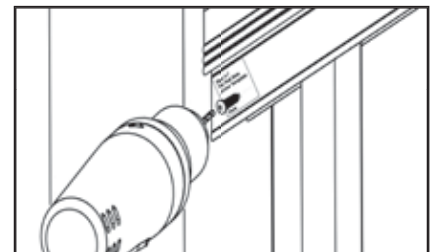
**Installing Top Brackets**

- 7** Remove the stair section from between posts. Place the top of the top rail bracket along the previously marked post lines (2 screw side faces up). Install the two top rail brackets into posts with three #10 x 2-1/2" screws each.

**Install Bottom Rail Brackets to Bottom Rail**

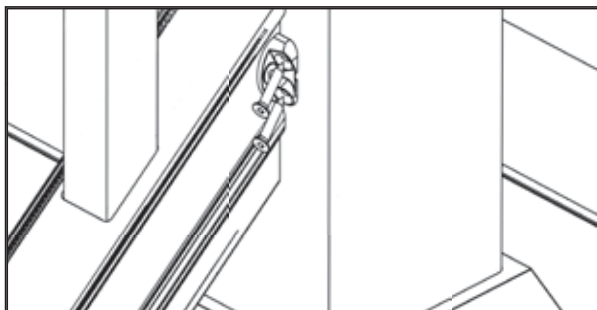
- 8** Re-carry assembled stair rail section and place between installed posts, making sure top rail fits snug over the installed top rail brackets. Bottom rail should be resting directly on top of temporary 5/4" spacer board.

To locate side screw placement for top rail brackets, (included in bracket packaging) tape side screw template to side of top rail. Using 1/8" drill bit, predrill through marked hole into rail and bracket. Screw #10 x 1" pan head screw through hole.

**Installing Top Brackets**

- 9** Using #10 x 1" flat head screws, attach the bottom rail brackets to both the top and bottom stair posts. (2 screws per bracket)

Snap bottom rail bracket covers over each bottom rail bracket to hide screws.





## Transferable Limited Lifetime Warranty

What is covered: Barrette Outdoor Living warrants vinyl and aluminum products to include; vinyl and aluminum fence, vinyl and aluminum railing and plastic lattice against defects or workmanship for as long as you own your home. Barrette Outdoor Living will at its option replace the product in question with new product of the same or equivalent value at no charge. Barrette Outdoor Living warrants these products against peeling, flaking, splintering, corrosion, rusting or abnormal discoloration under normal use and service per ASTM D 2244. This warranty extends to the original purchaser or transferee as specified herein on the products noted above. Separate and distinct warranties for hardware and other products are not covered under this warranty.

What this warranty does not cover: This limited warranty does not cover damage resulting from accident, unreasonable use, neglect, alteration, improper service, improper installation, acts of God or any other causes not arising out of defects in materials or workmanship. Additionally, this warranty does not cover costs of installation, removal, reinstallation or surface mold and mildew created by excessive environmental conditions. Any service or repair provided outside the scope of this limited warranty shall be at Barrette Outdoor Living's rate and terms then in effect.

What do we do to correct the problems? Should your Barrette Outdoor Living product prove defective under warranty, reference the website or call the phone number listed below. Your problem will be assigned a tracking number and an authorized Barrette Outdoor Living representative will contact you to arrange a convenient time to schedule an onsite inspection, or request pictures, if need be. If after inspection product is deemed to be manufacturer defect we will make arrangements to rectify the issue. You must have proof of your purchase in order for the problem to be corrected.

Transferee Coverage: Warranty coverage will be extended to one transferee on the above listed products with the following limitations. Transferee must obtain an original or copy of the initial sales receipt (with proof of date) from the previous owner(s). Additionally, if fence is purchased from a builder or installer, documentation must be supplied that names the product installed on property and date of transfer.

THIS WARRANTY IS IN LIEU OF ALL CONDITIONS OR WARRANTIES, EXPRESS, OR IMPLIED INCLUDING BUT NOT LIMITED TO ANY IMPLIED CONDITIONS OR WARRANTIES OR MERCHANTABILITY OR FITNESS FOR A PARTICULAR PURPOSE ON THE PART OF BARRETTE OR ITS LICENSORS, SOME STATES DO NOT ALLOW THE EXCLUSIONS OF IMPLIED WARRANTIES OR LIMITATIONS OF HOW LONG AN IMPLIED WARRANTY LASTS, SO THE ABOVE LIMITATIONS MAY NOT APPLY TO YOU. IF THE PRODUCT IS DEFECTIVE PER THE ABOVE COVERAGES, YOUR SOLE AND EXCLUSIVE REMEDY SHALL BE REPAIR OR REPLACEMENT AS PROVIDED ABOVE. BARRETTE AND ITS LICENSORS SHALL NOT BE LIABLE FOR ANY DAMAGES, LOSS OF USE, LOSS OF PROFITS OR INTERRUPTION OF BUSINESS WHETHER SUCH ALLEGED DAMAGES ARE BASED IN WARRANTY, TORT, CONTRACT, OR INDEMNITY. SOME STATES DO NOT ALLOW THE EXCLUSION OF LIMITATIONS OF INCIDENTAL OR CONSEQUENTIAL DAMAGES, SO THE ABOVE LIMITATIONS MAY NOT APPLY TO YOU. This warranty is valid only in the United States and Canada.

Refer to [www.BarretteOutdoorLiving.com](http://www.BarretteOutdoorLiving.com) for specific details about warranty limitations.  
1-800-336-2383

To register your product, please visit: [www.barretteoutdoorliving.com/product-registration](http://www.barretteoutdoorliving.com/product-registration)

